

**PRE-ORDERING/ORDERING  
CHANGE AS IS ISSUE**

AGPL 03237

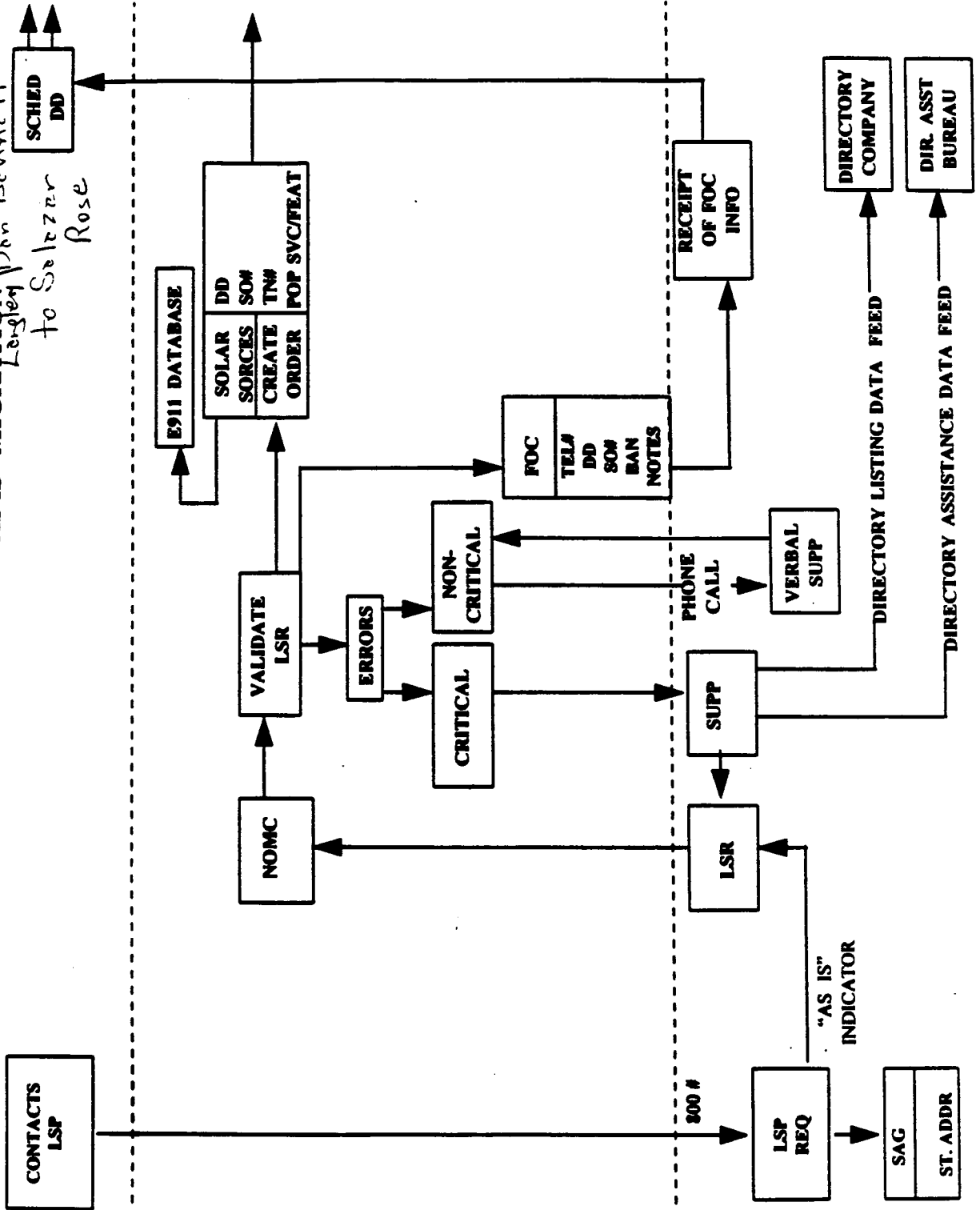
**000676**

6/5/9w  
 AT&T "AS IS" MIGRATION  
 GTE handout Roehery  
 Longley Don Bennett  
 to Selezar Rose

CUSTOMER  
 END USER

LOCAL NETWORK PROVIDER  
 (LNP)

LOCAL SERVICE PROVIDER  
 (LSP)



AGPL 003237

000677

D/D ACCEPT

D/D NOT  
ACCEPT

COMPLETION

CZT

DAC  
FAC

RESCHEDULE  
MOVE UP  
MOVE OUT

NOMC

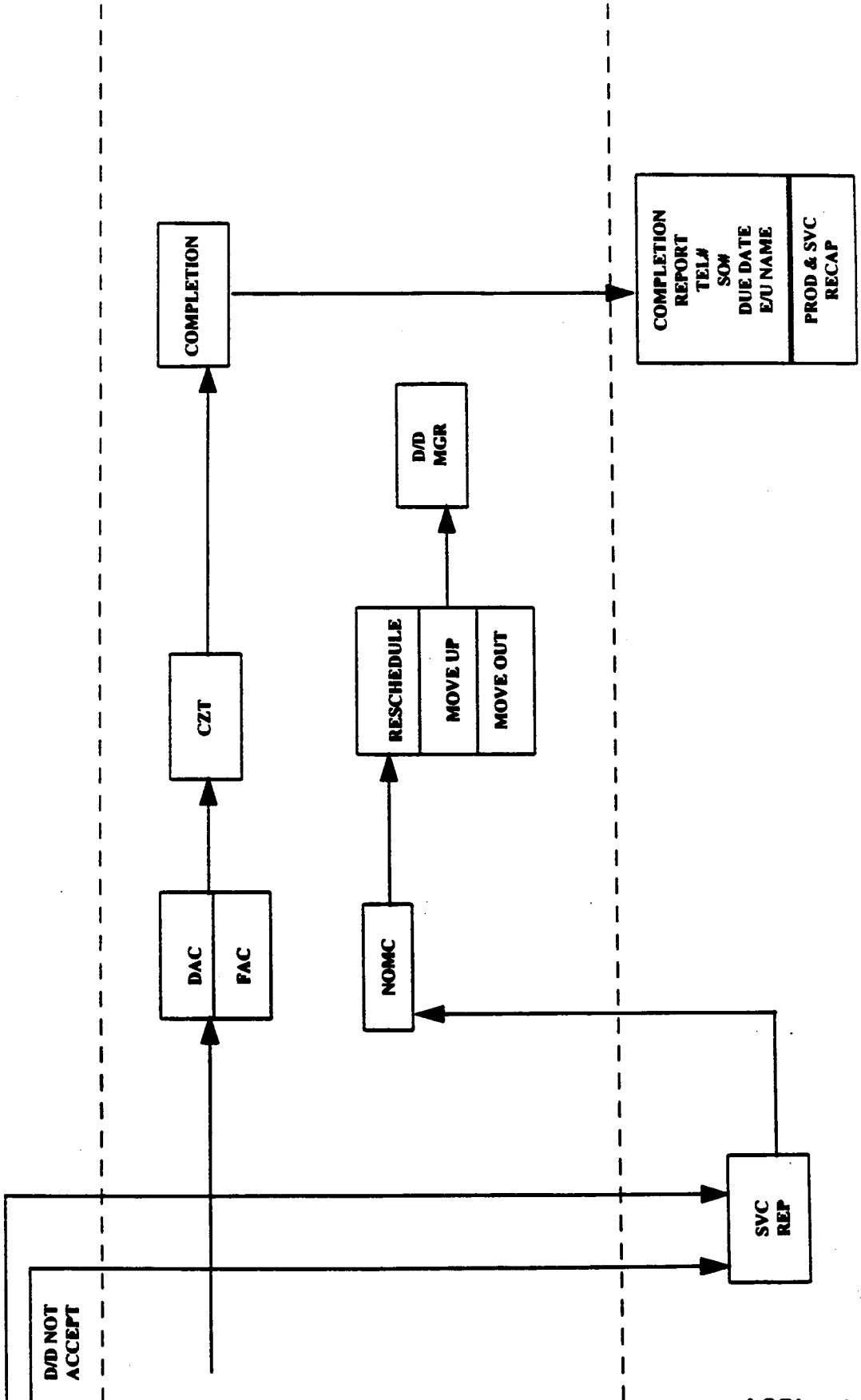
D/D  
MGR

COMPLETION REPORT TEL# SOW DUE DATE E/U NAME	PROD & SVC RECAP
---	---------------------

SVC  
REP

AGPL 003238

000678

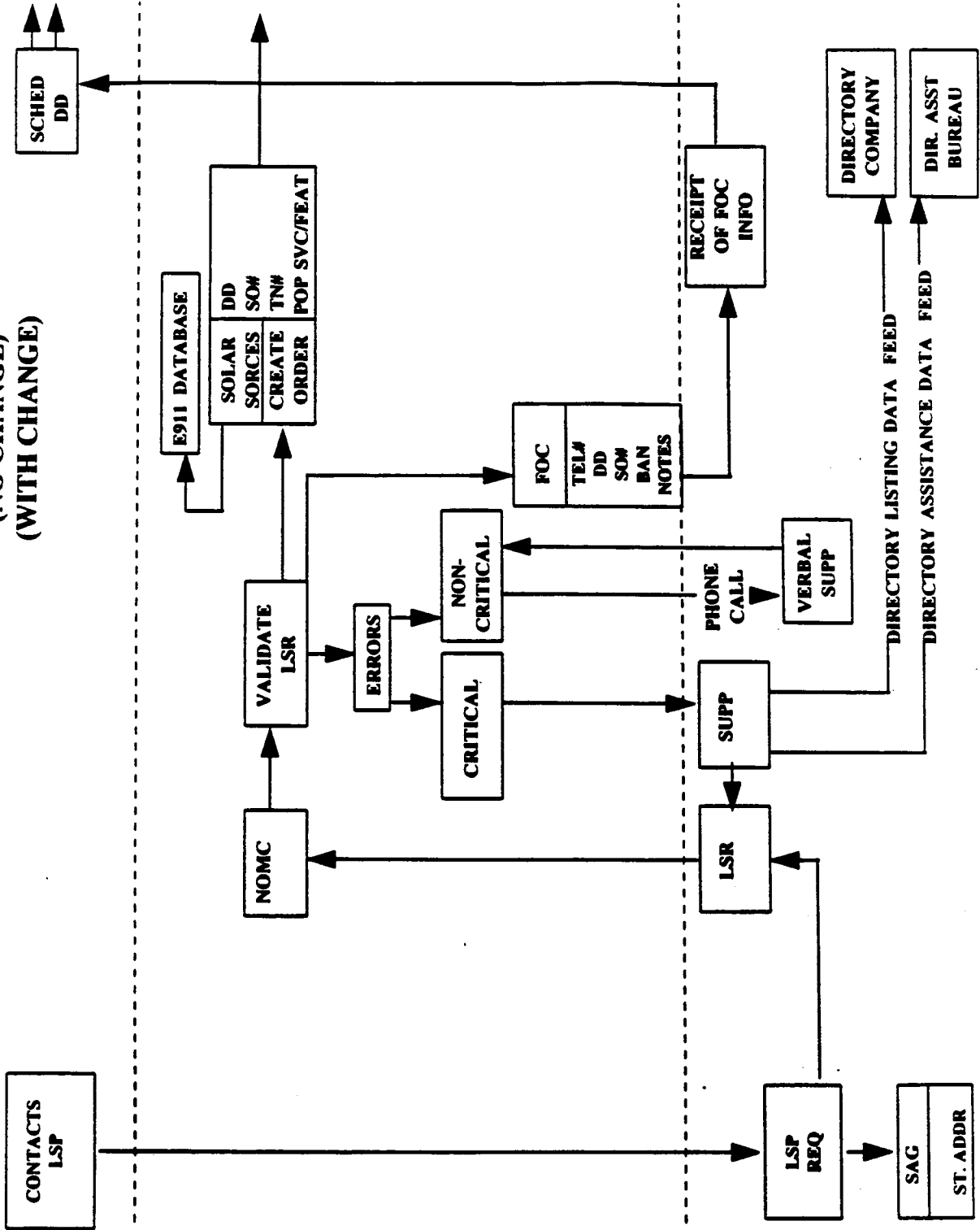


**CONVERSION ORDER  
(NO CHANGE)  
(WITH CHANGE)**

CUSTOMER/  
END USER

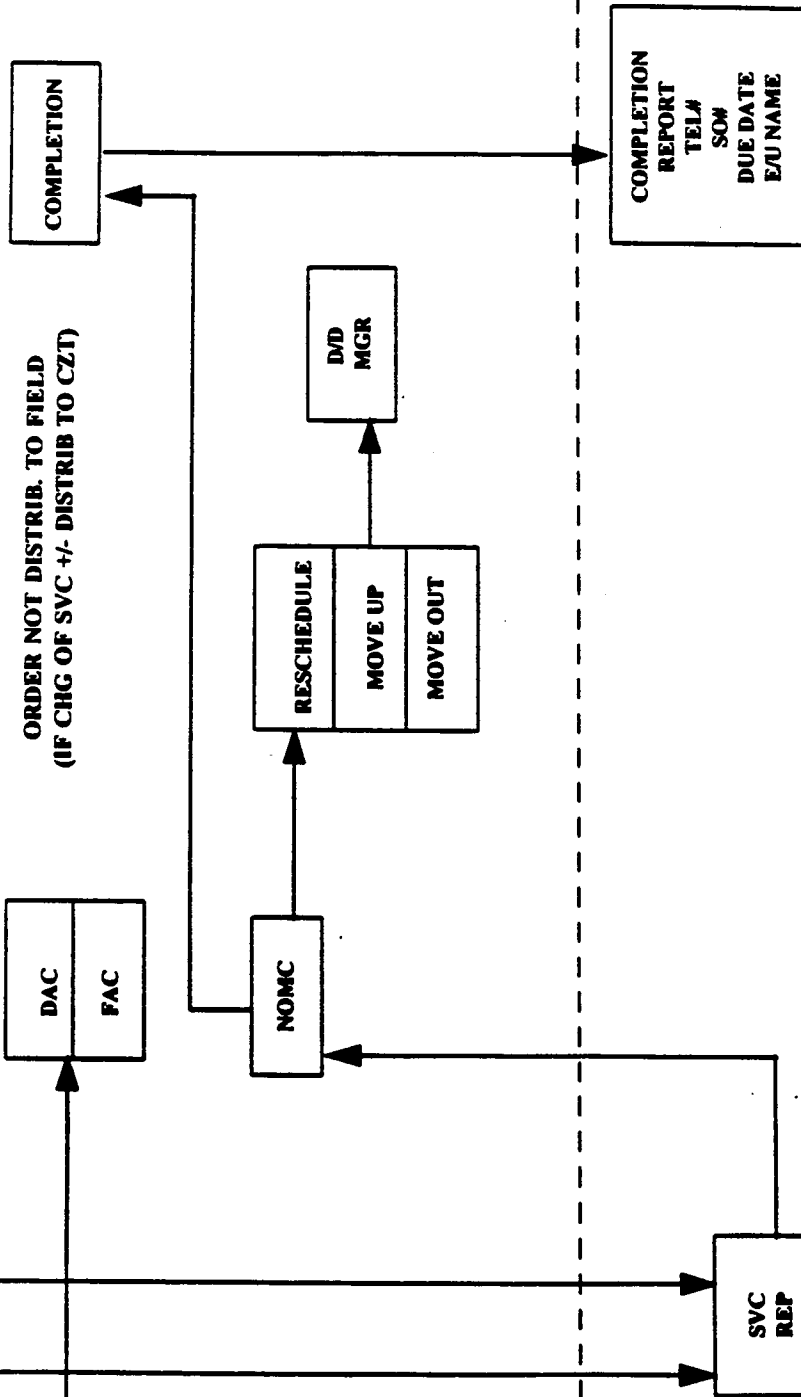
LOCAL NETWORK PROVIDER  
(LNP) GTE

LOCAL SERVICE PROVIDER  
(LSP)



D/D ACCEPT

D/D NOT  
ACCEPT

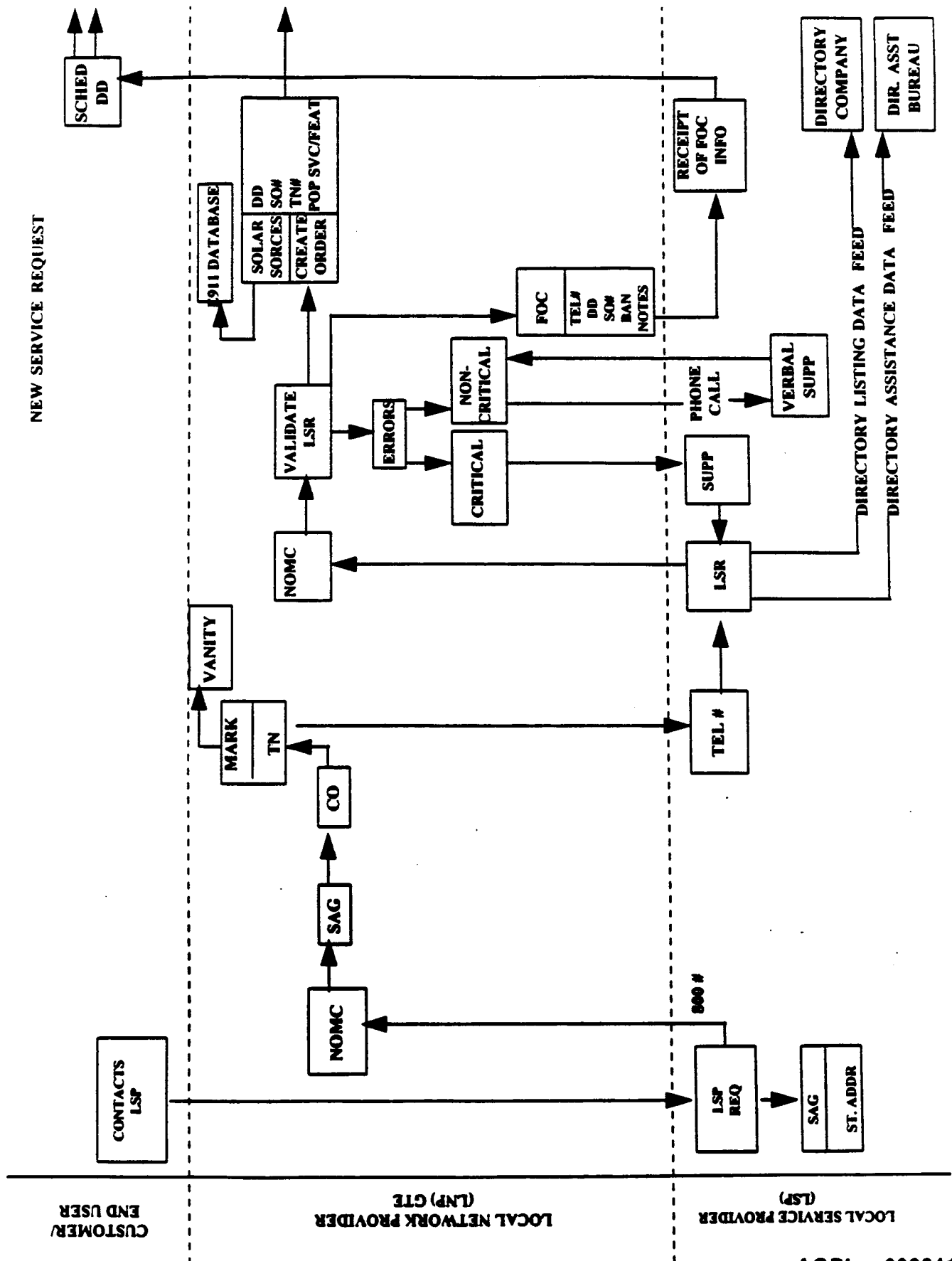


ORDER NOT DISTRIB. TO FIELD  
(IF CHG OF SVC +/- DISTRIB TO CZIT)

AGPL 003240

000680

NEW SERVICE REQUEST



AGPL 003241

189000

D/D ACCEPT

D/D NOT  
ACCEPT

COMPLETION

CZT

DAC  
FAC

RESCHEDULE  
MOVE UP  
MOVE OUT

NOMC

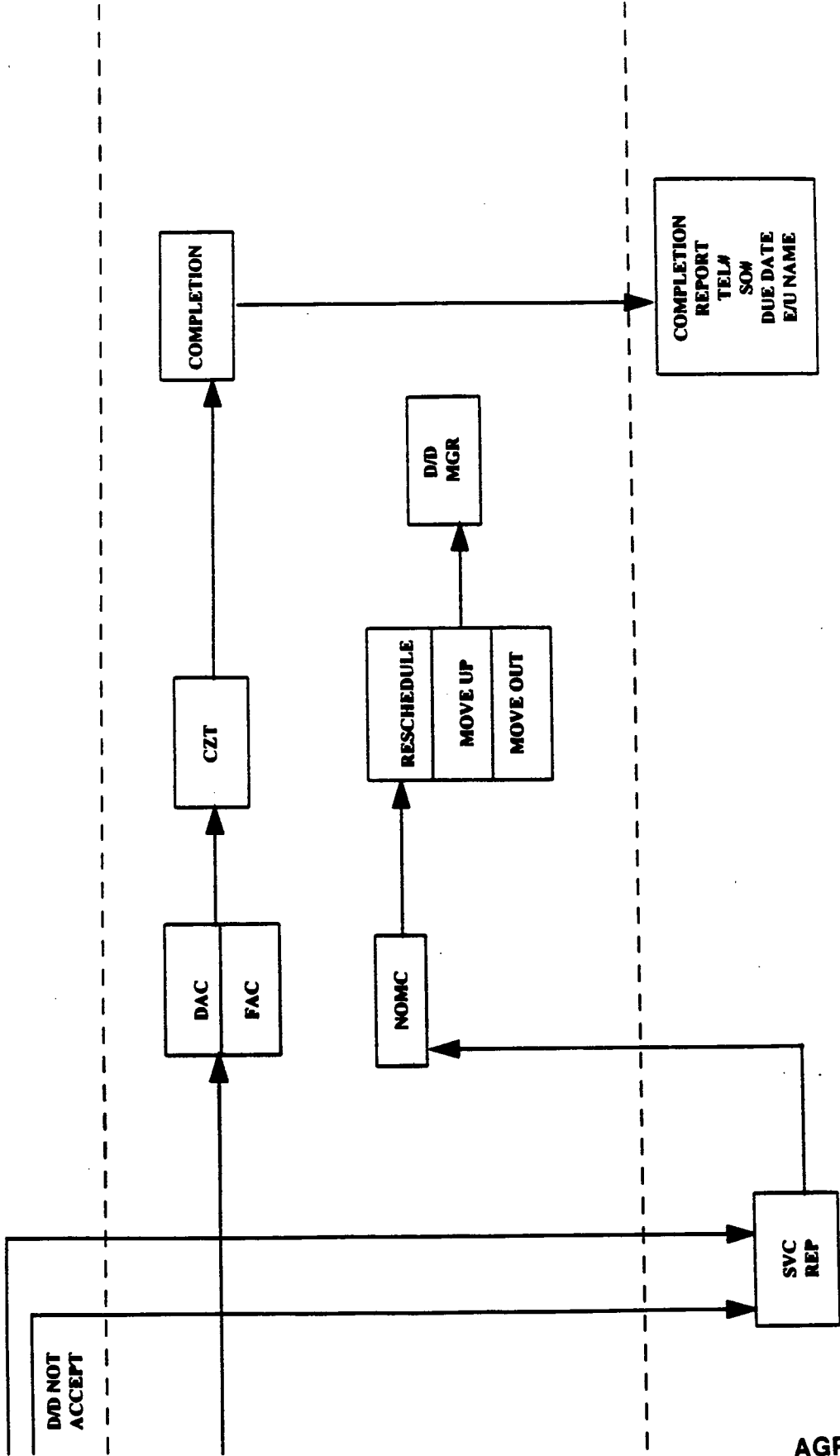
D/D  
MGR

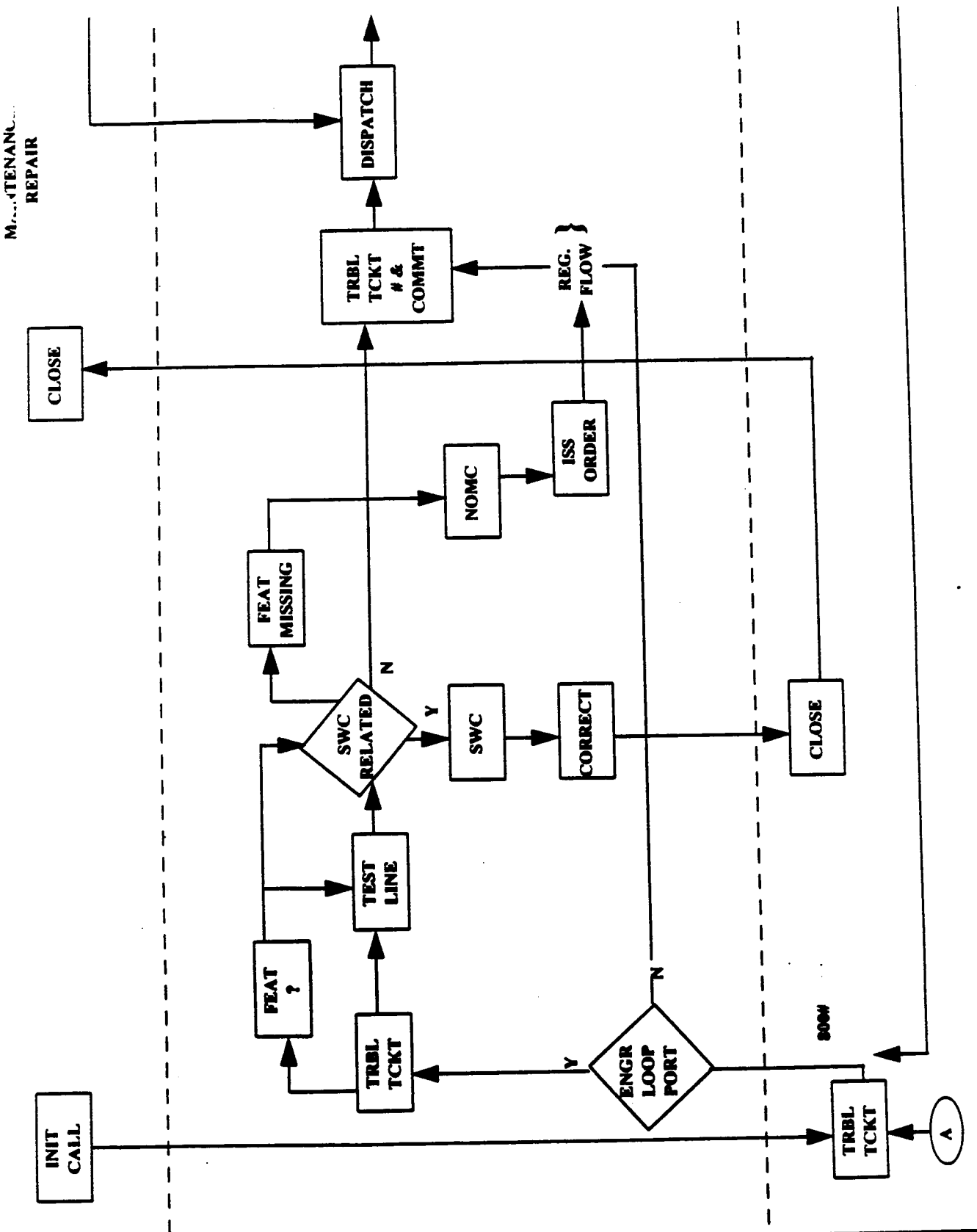
COMPLETION  
REPORT  
TELA  
SOW  
DUE DATE  
E/U NAME

SVC  
REP

AGPL 003242

000682





M...TENANCY  
REPAIR

END USER

INP/LEC

ISP

AGPL 003243

000683



