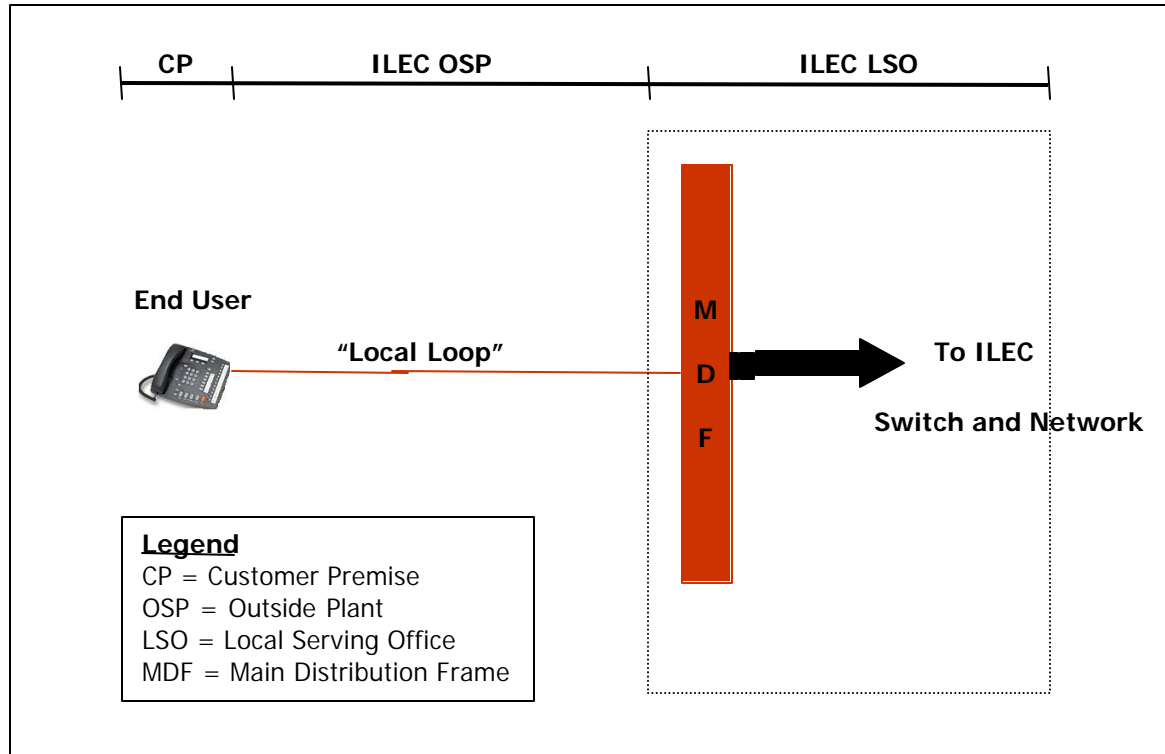
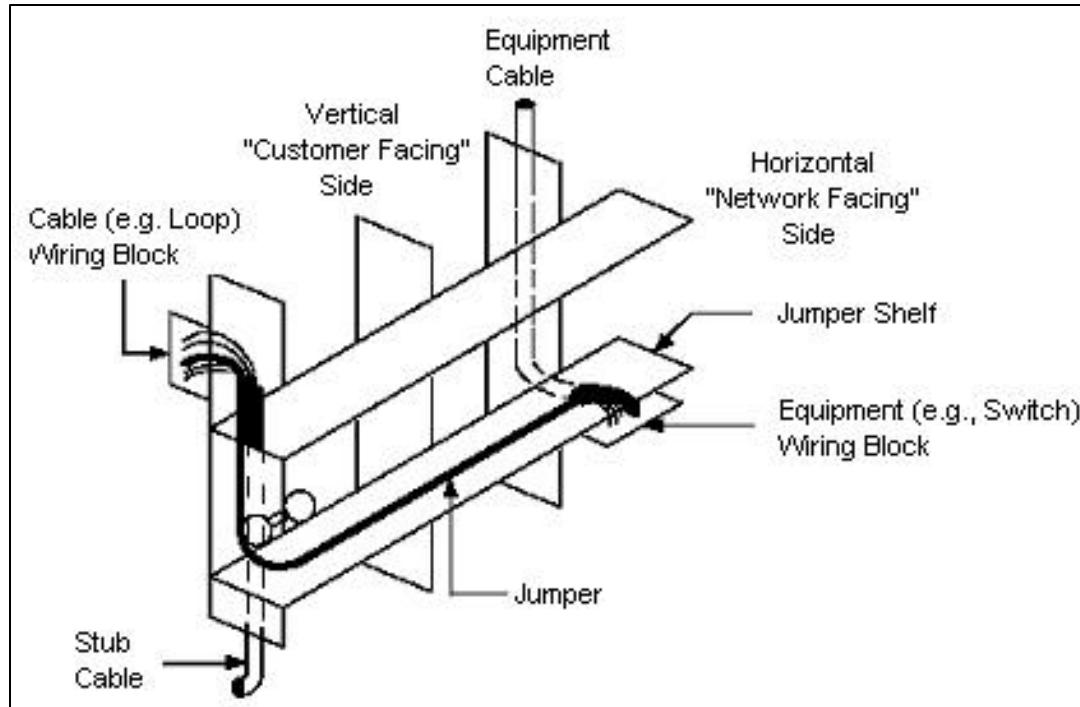


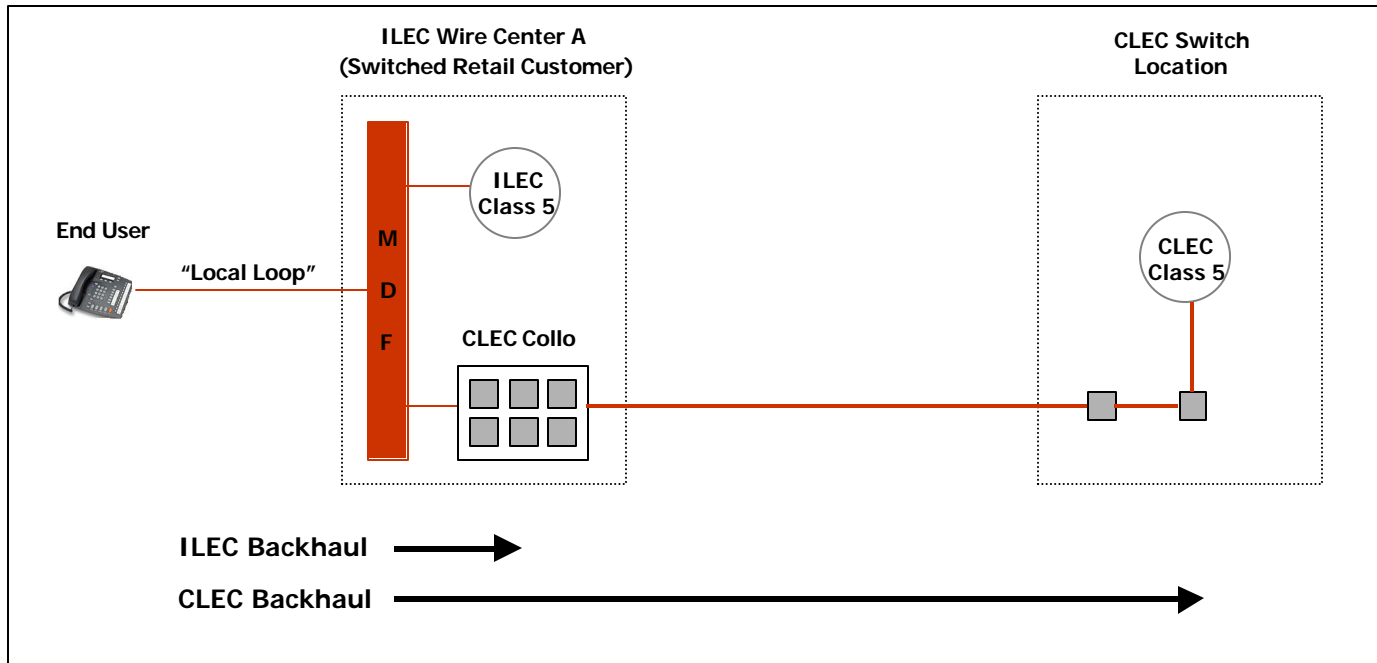
The Local Loop



A Distribution Frame

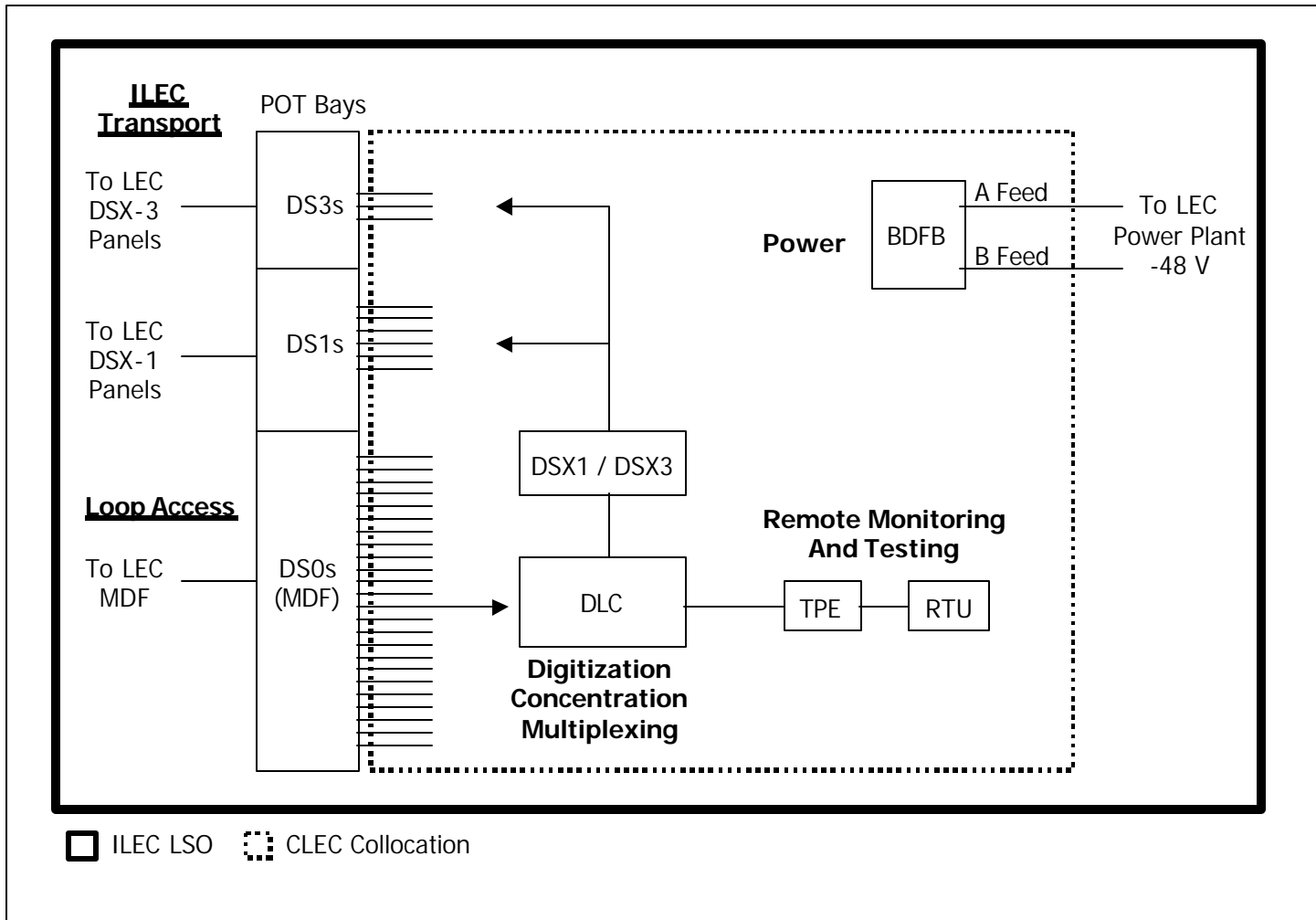


Collocation and Backhaul

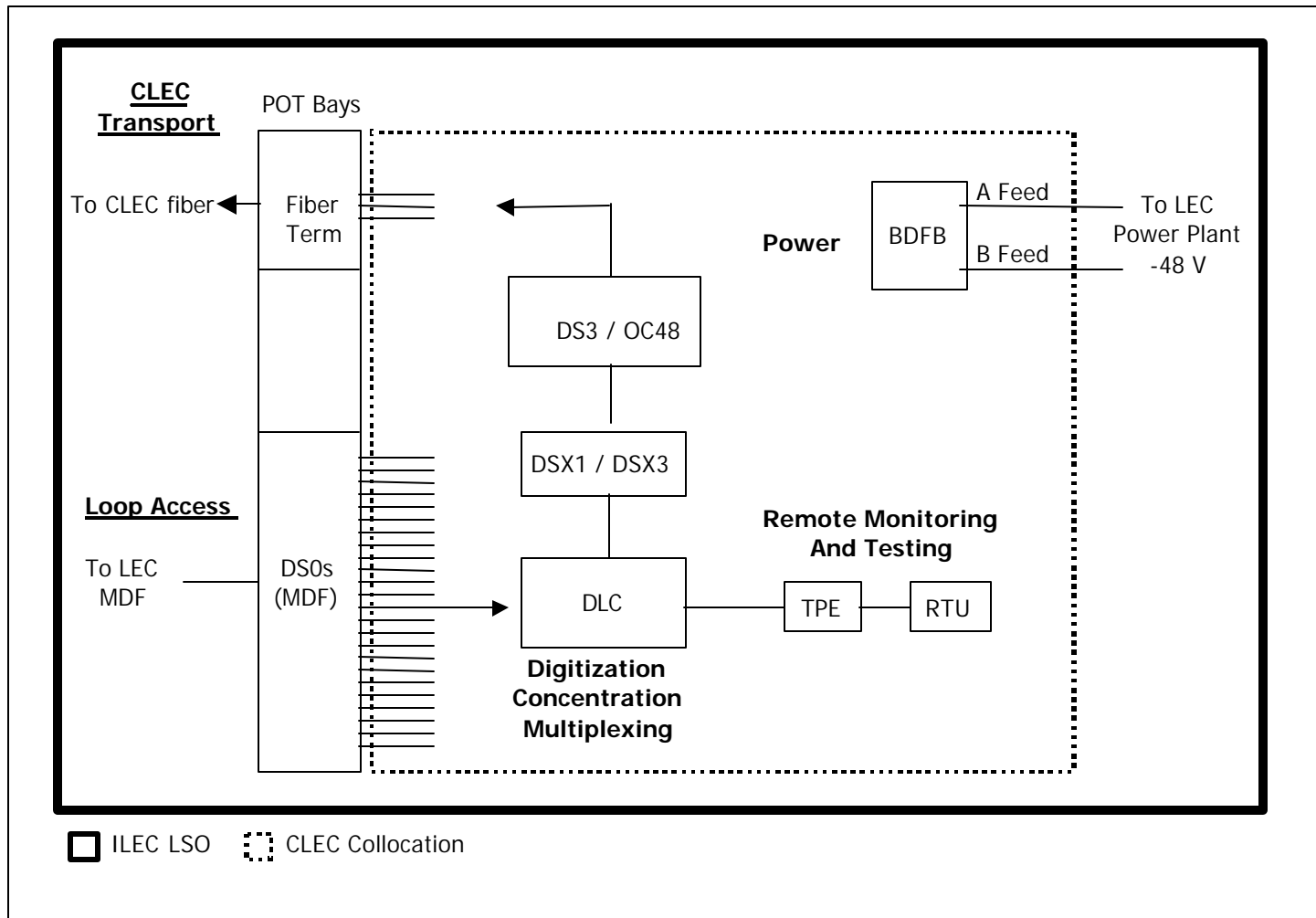


Collocation with ILEC Transport

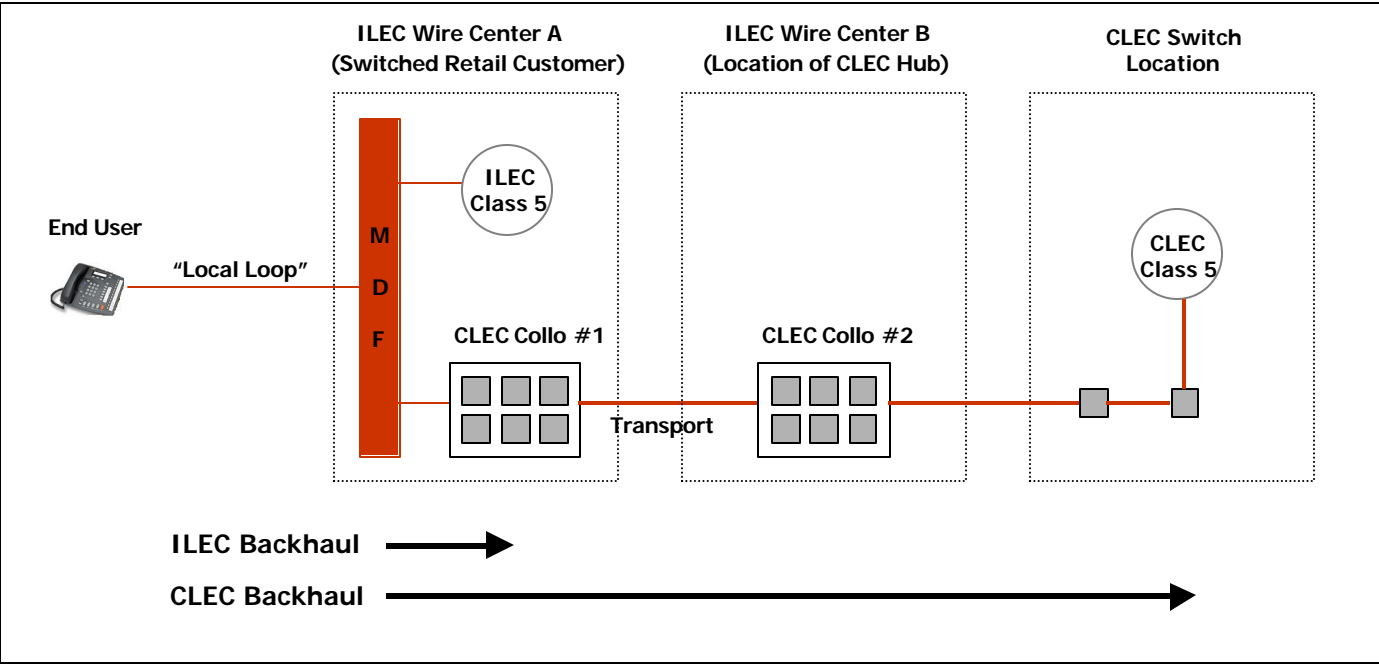
Exhibit RVF-6

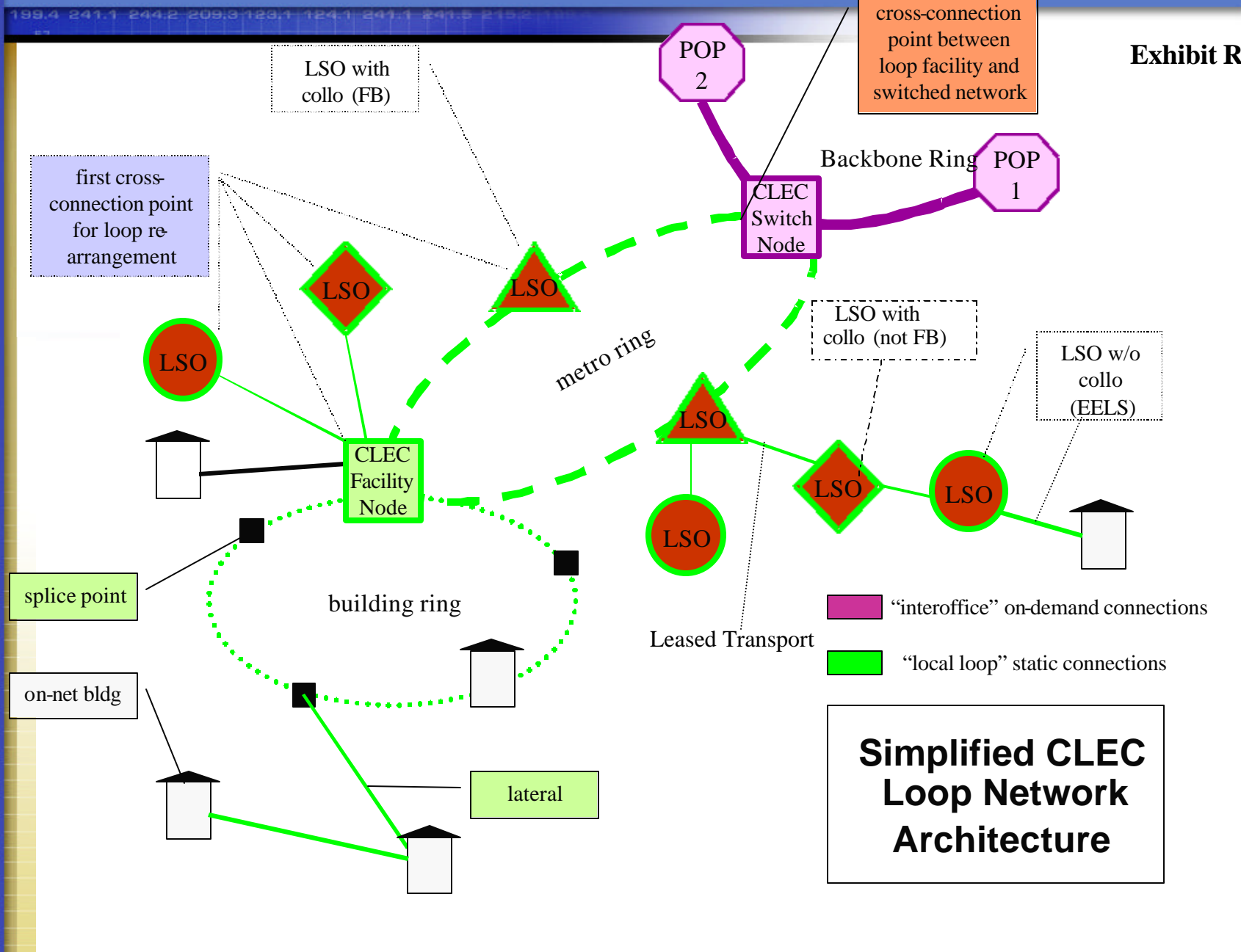


Collocation with CLEC Backhaul



Collocation Hubbing and Backhaul





Simplified CLEC Loop Network Architecture

The CLEC call termination requirements span multiple ILEC local calling areas, must use the ILEC network and can not duplicate the ILEC call termination efficiencies.

