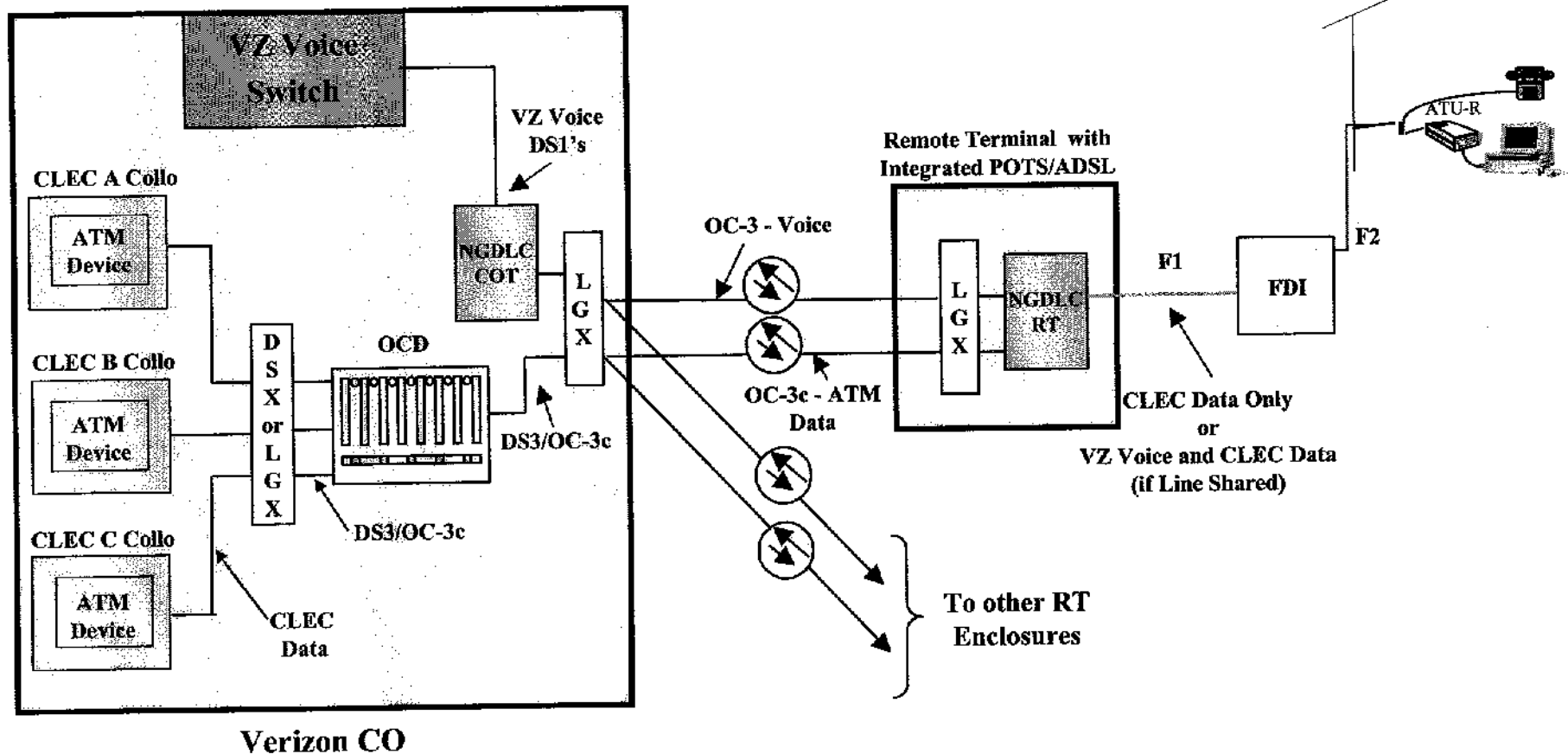


Potential ADSL at RT Architecture



This description is being provided as ordered by the Public Utilities Commission, is provided for discussion purposes only, and is subject to change. This arrangement does not exist today nor is this description an offer to develop such an arrangement. It is merely a possible configuration of ADSL in a RT architecture. No systems work has been developed to make this type of arrangement available. All rights to object to this arrangement are reserved.