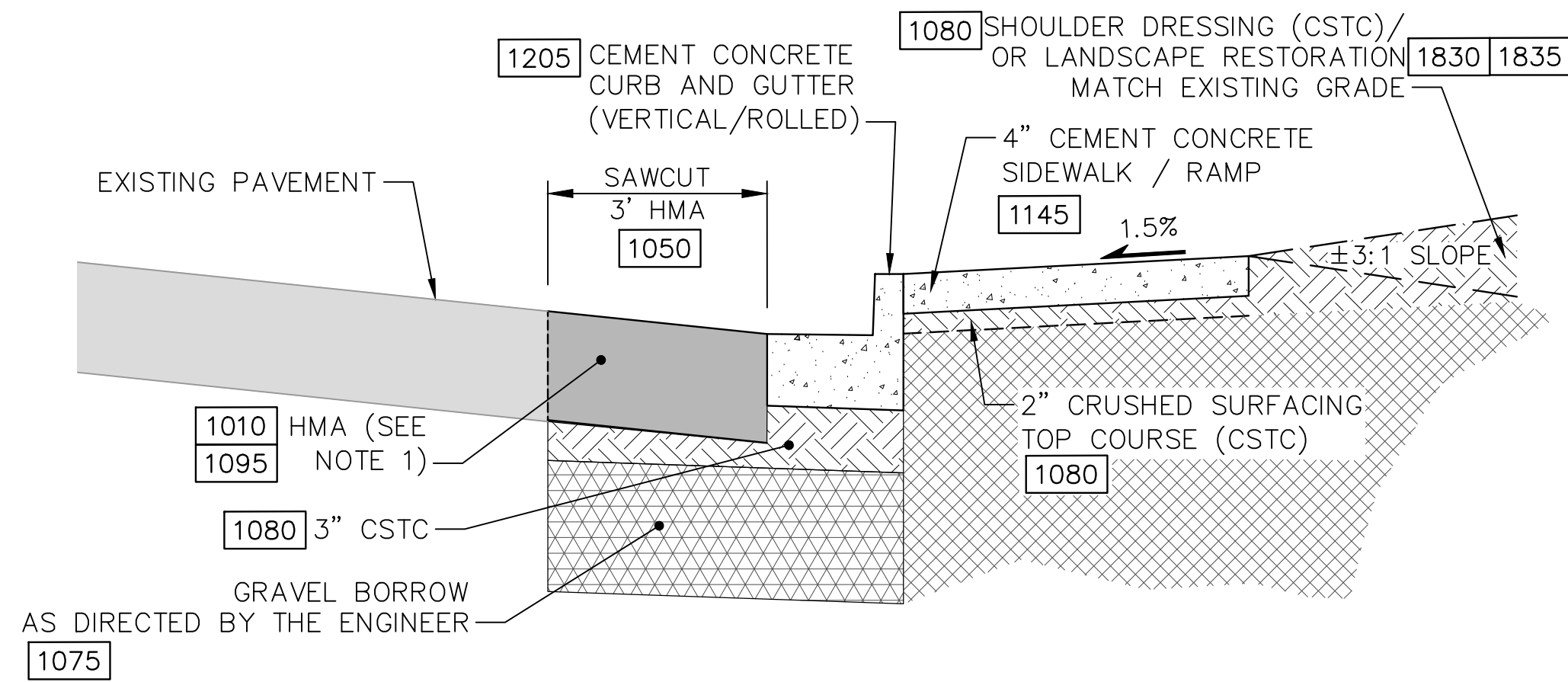


TR-230269 PETITION ATTACHMENT

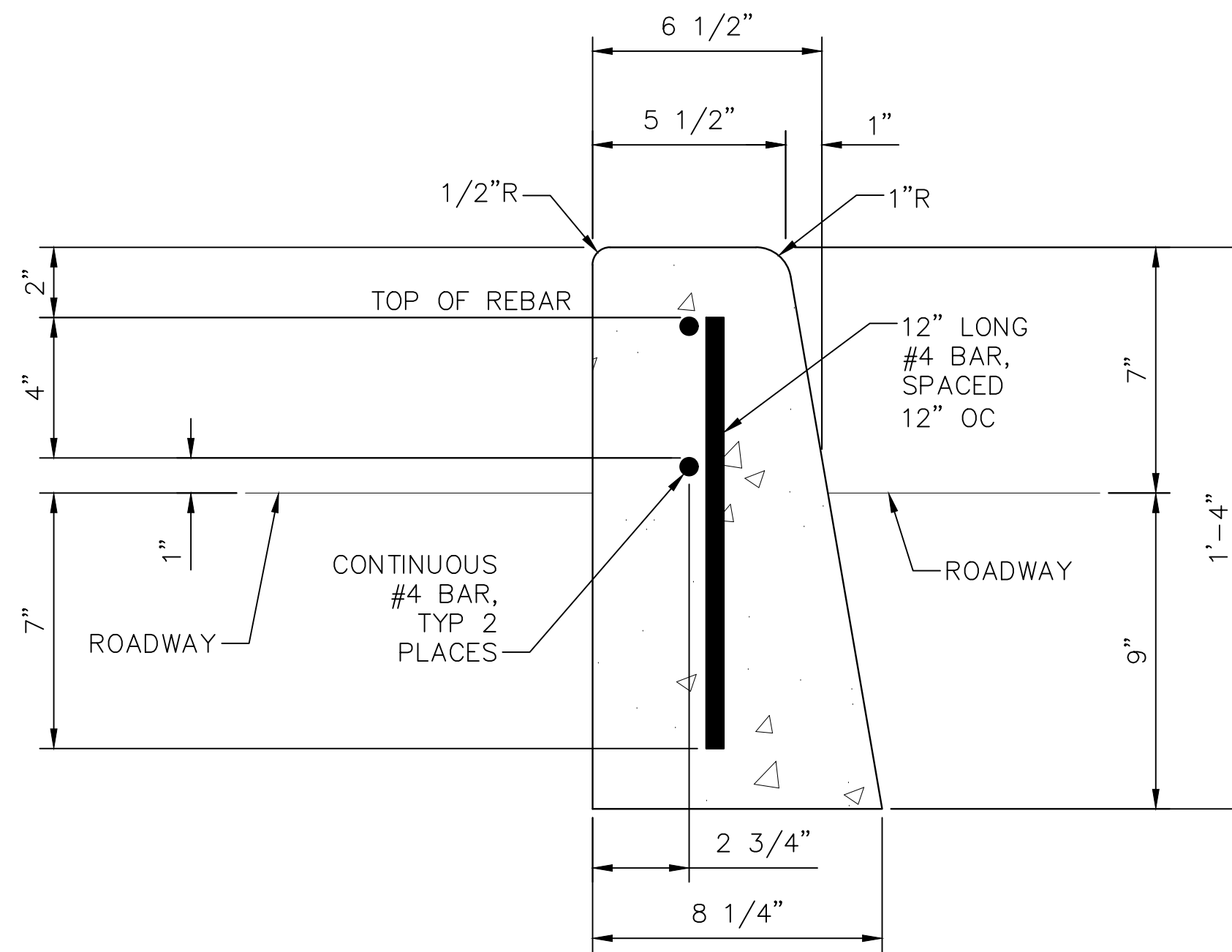
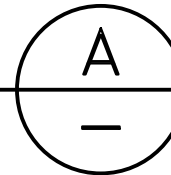


NOTES:

- HMA THICKNESS TO MATCH EXISTING ROADWAY
- SEE CURB RAMP NOTES ON SHEET 2 FOR SIDEWALK/RAMPS SLOPE REQUIREMENTS.

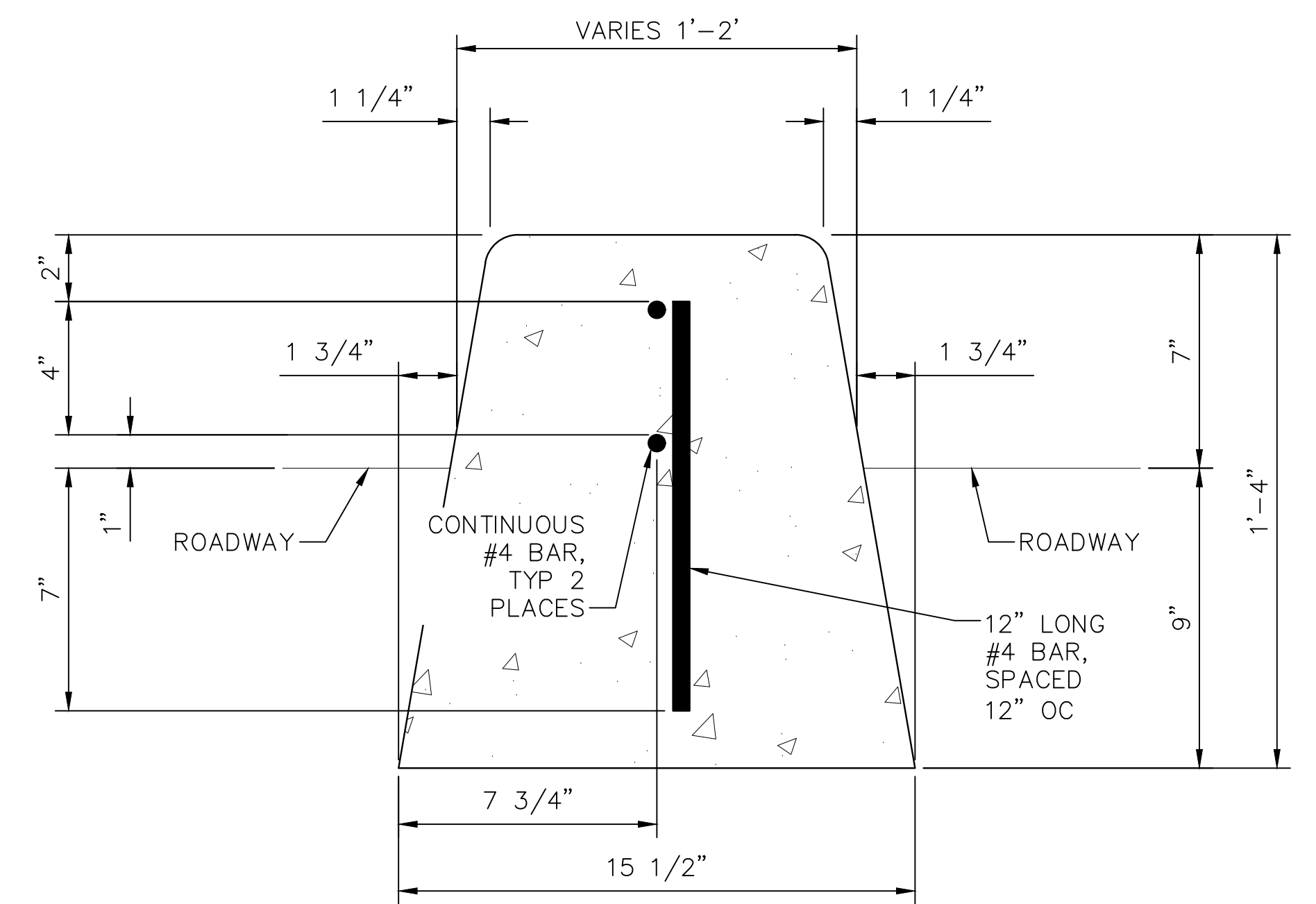
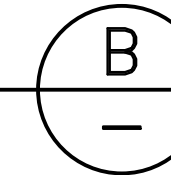
SIDEWALK/RAMP CONSTRUCTION

NOT TO SCALE



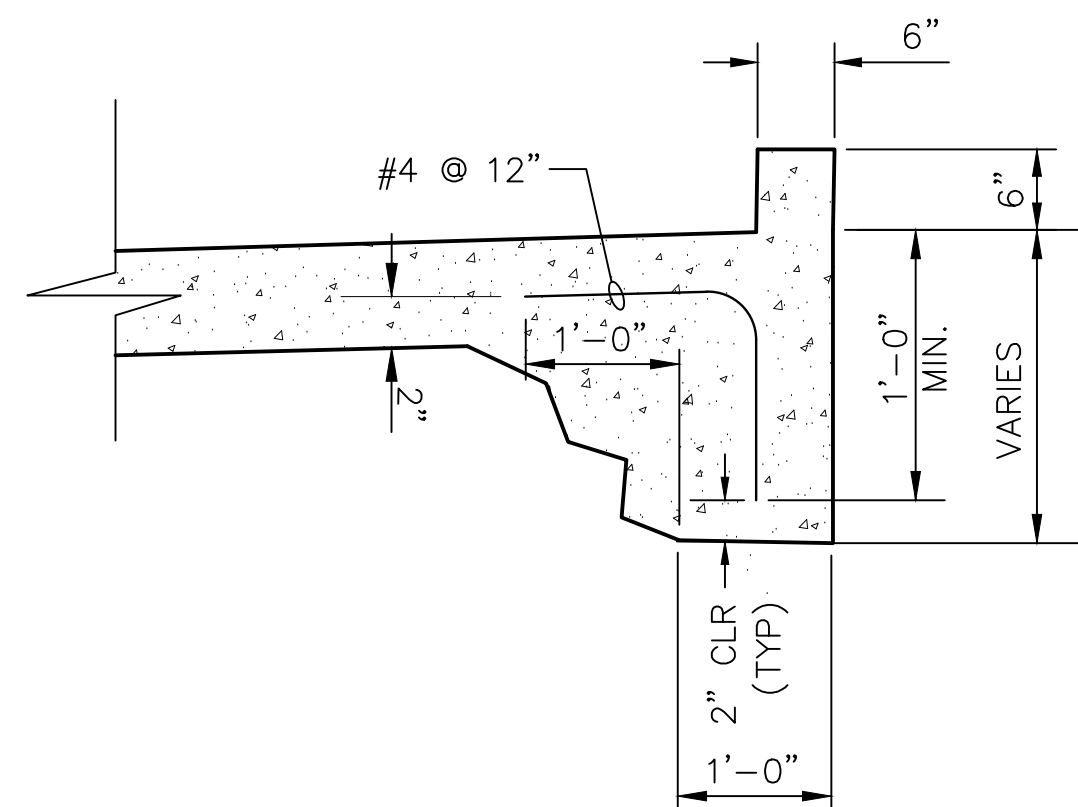
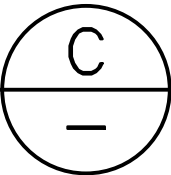
7" CEMENT CONCRETE TRAFFIC CURB DETAIL

NOT TO SCALE



7" DUAL-FACED CEMENT CONCRETE TRAFFIC CURB DETAIL

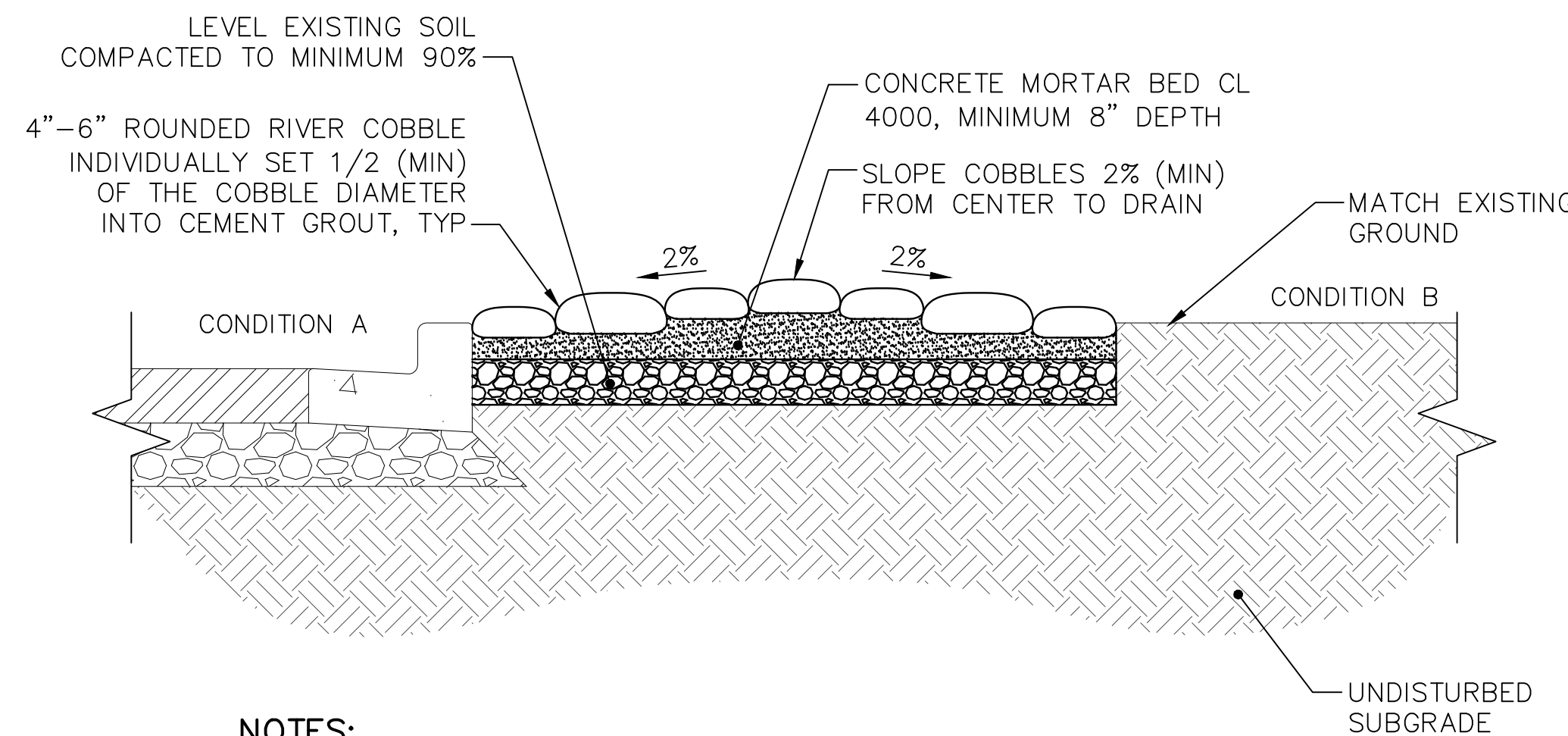
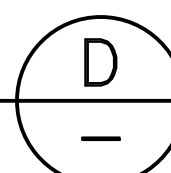
NOT TO SCALE



1146

THICKENED EDGE OF SIDEWALK DETAIL

NOT TO SCALE



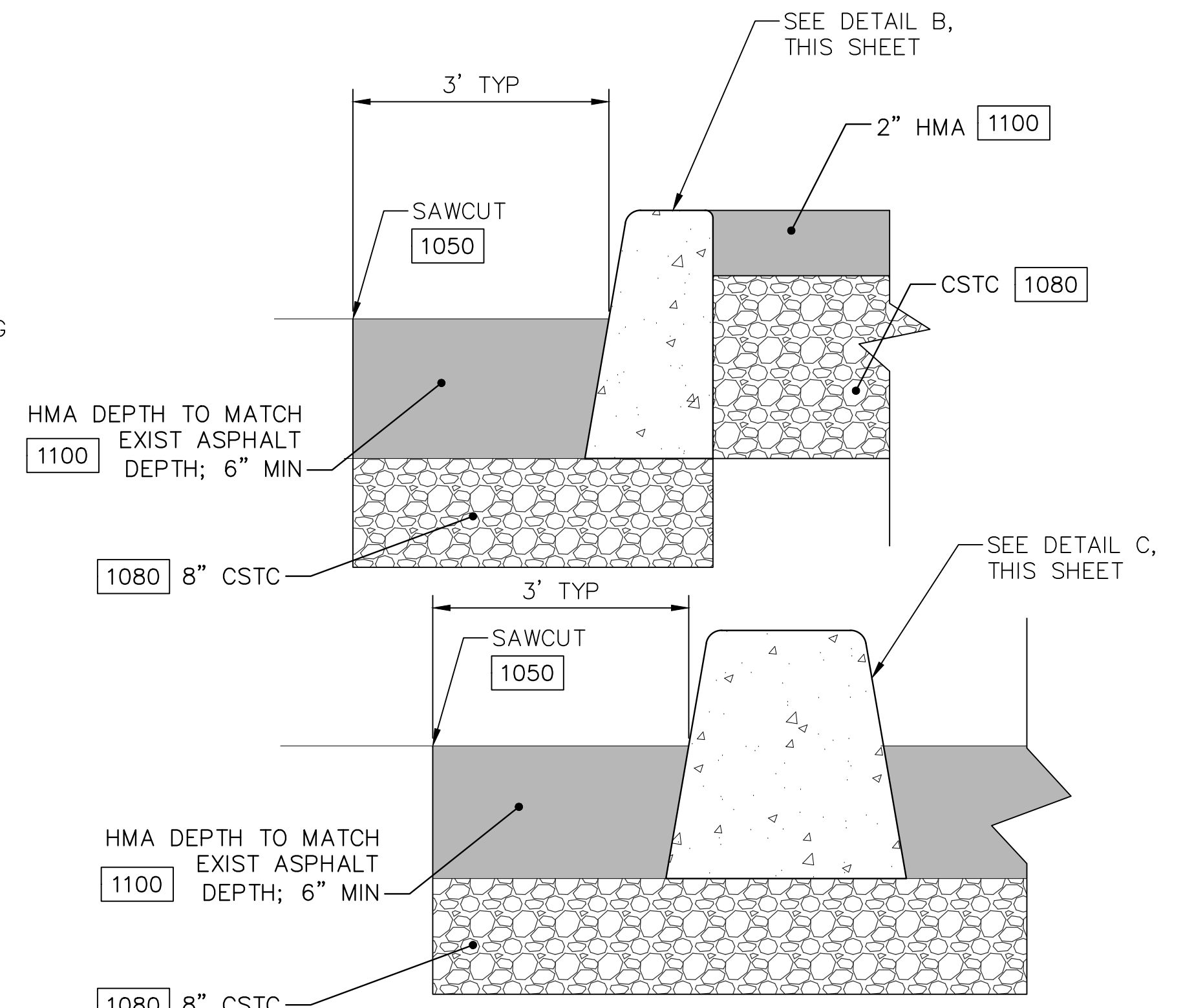
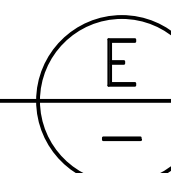
NOTES:

- SHAPE AND LOCATION VARIES. SEE PLANS.
- CROWN TO BE ROUNDED WITH NO SHARP GRADE BREAKS.
- MINIMIZE EXPOSED GROUT AT COBBLE JOINTS.
- SURFACE OF COBBLE FIELD SHALL BE SMOOTH AND FLAT TO GRADE WITHOUT VARIATION IN HEIGHT OF INDIVIDUAL COBBLES.
- ROCK SHALL BE SATURATED SURFACE MOIST PRIOR TO PLACEMENT.

NON-WALKING SURFACE DETAIL

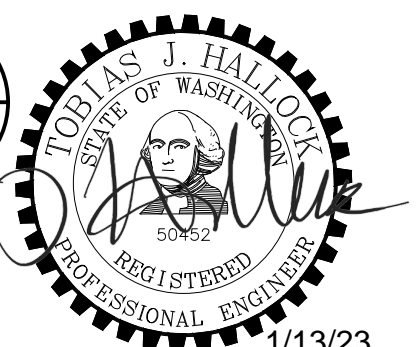
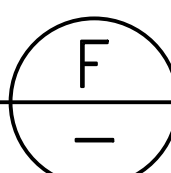
NOT TO SCALE

1150



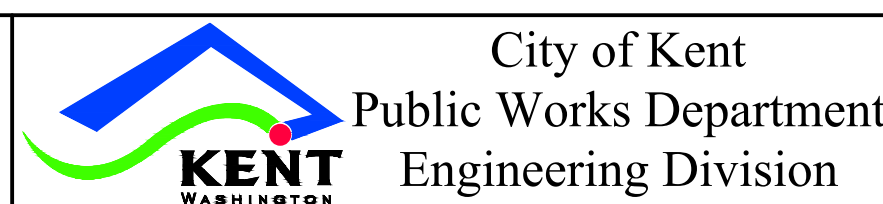
TYPICAL SECTION - ISLAND

NOT TO SCALE



|                       |                                |                            |                    |
|-----------------------|--------------------------------|----------------------------|--------------------|
| DESIGNED: BRAA        | CHECKED: DNH                   | KENT PROJECT NO. 23-3001.1 | SCALE: HORIZ: NONE |
| DRAWN: BRAA           | PROJECT ENG: TJH               | CONST. MGMT. REVIEW: EC    | VERT: -            |
| APPROVED: Chad Bieren | DATE: 2023.01.13 17:21:56-0800 | CITY ENGINEER              |                    |

BAR IS ONE INCH ON ORIGINAL DRAWING ADJUST SCALES ACCORDINGLY



DETAILS

BNSF RAILROAD QUIET ZONE

|                             |
|-----------------------------|
| SHEET 4 OF 29               |
| FILE NO. Quiet Zone Details |