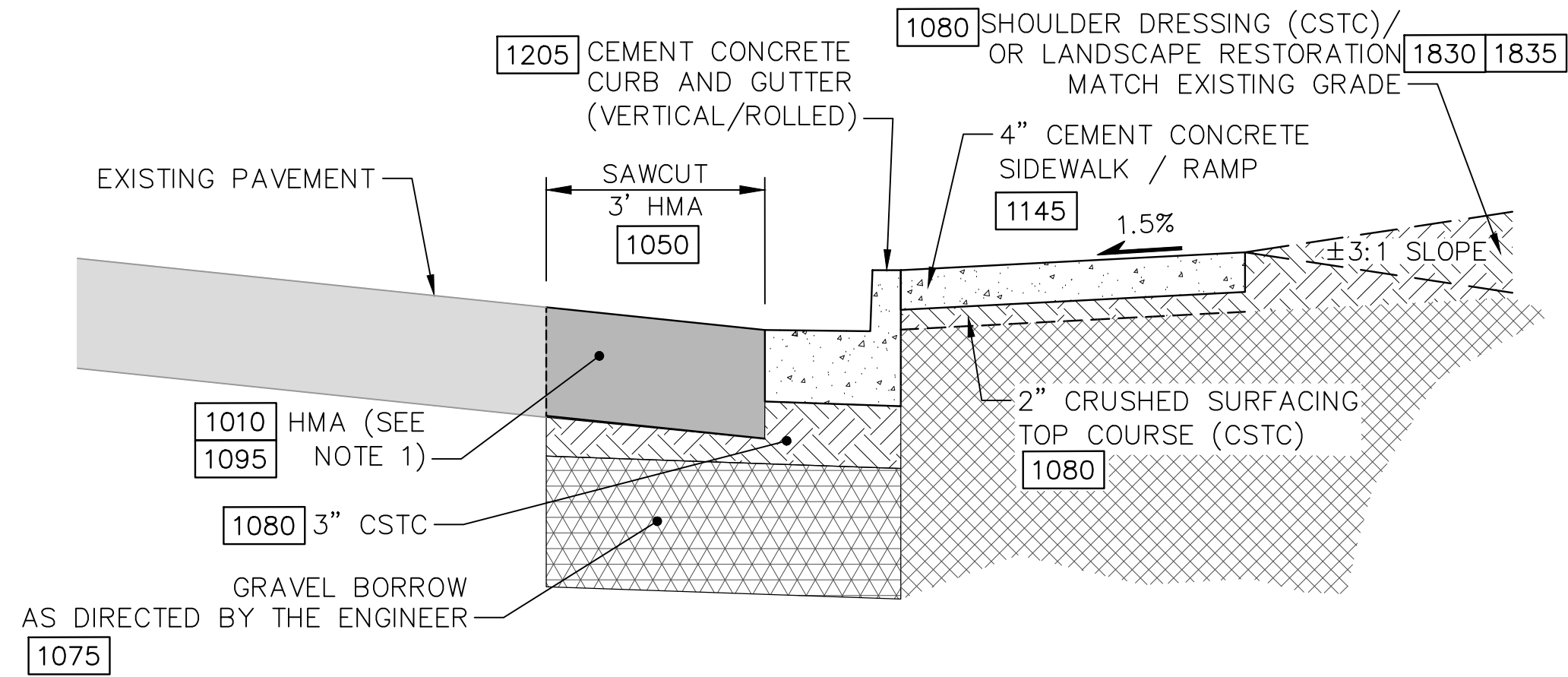


TR-230265 PETITION ATTACHMENT

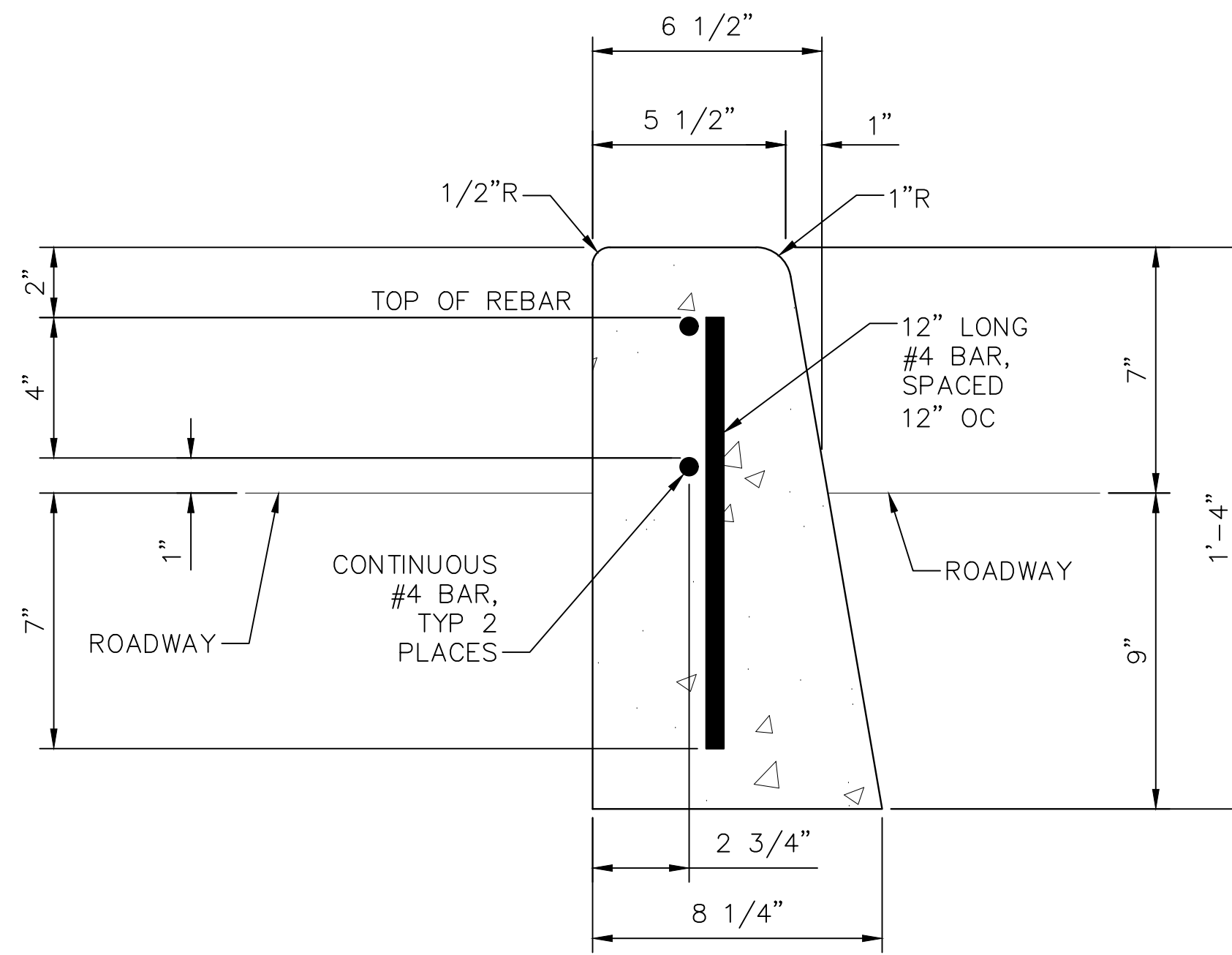
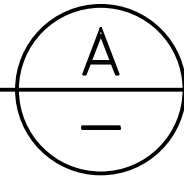


NOTES:

- HMA THICKNESS TO MATCH EXISTING ROADWAY
- SEE CURB RAMP NOTES ON SHEET 2 FOR SIDEWALK/RAMPS SLOPE REQUIREMENTS.

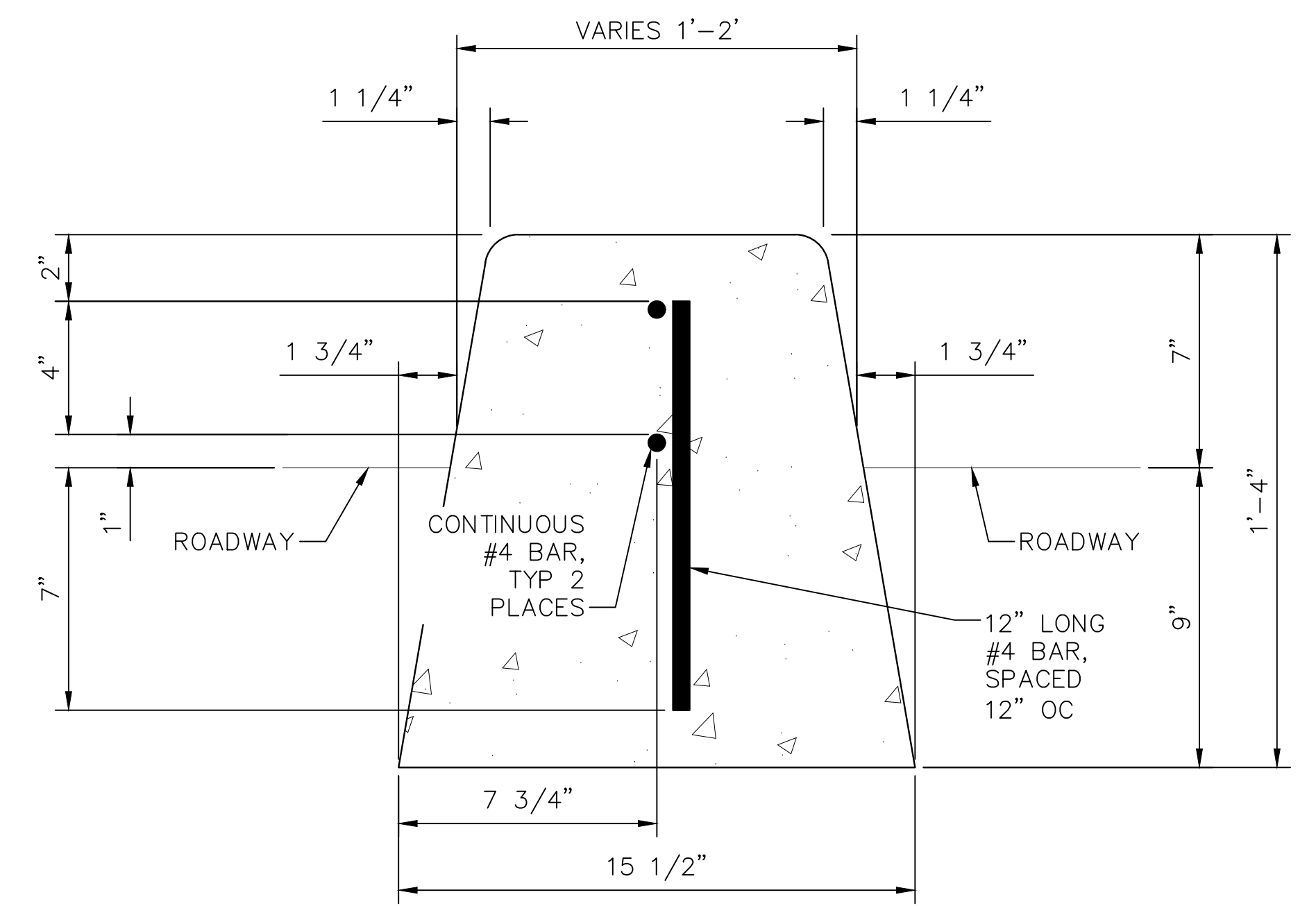
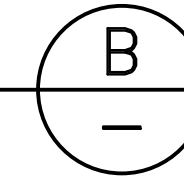
SIDEWALK/RAMP CONSTRUCTION

NOT TO SCALE



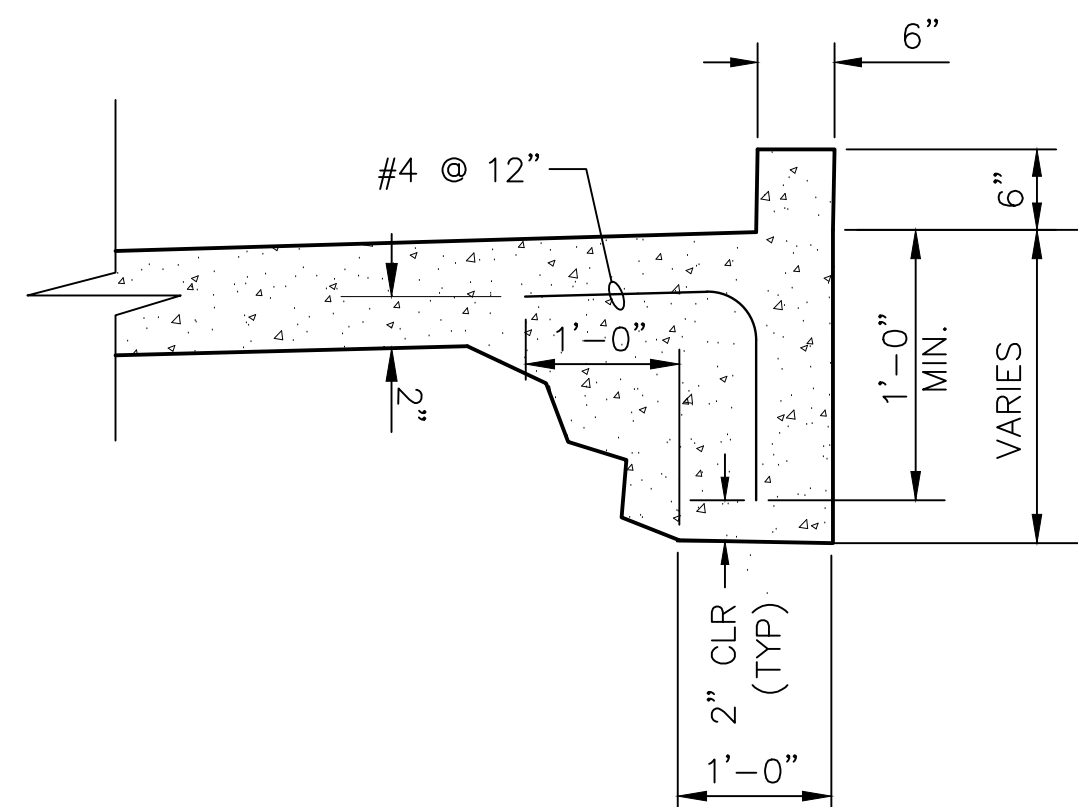
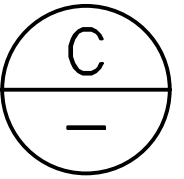
7" CEMENT CONCRETE TRAFFIC CURB DETAIL

NOT TO SCALE



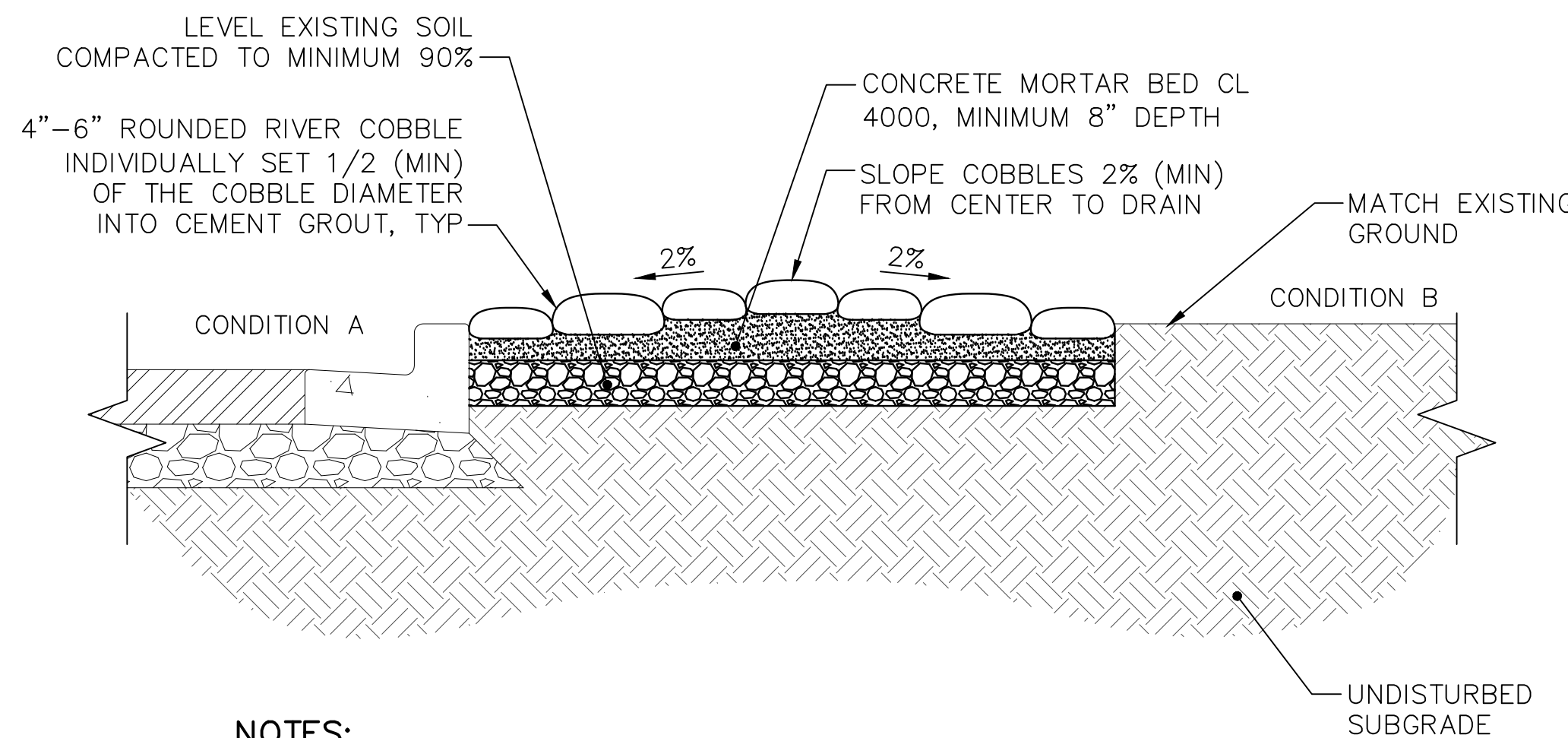
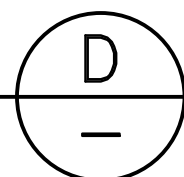
7" DUAL-FACED CEMENT CONCRETE TRAFFIC CURB DETAIL

NOT TO SCALE



THICKENED EDGE OF SIDEWALK DETAIL

NOT TO SCALE



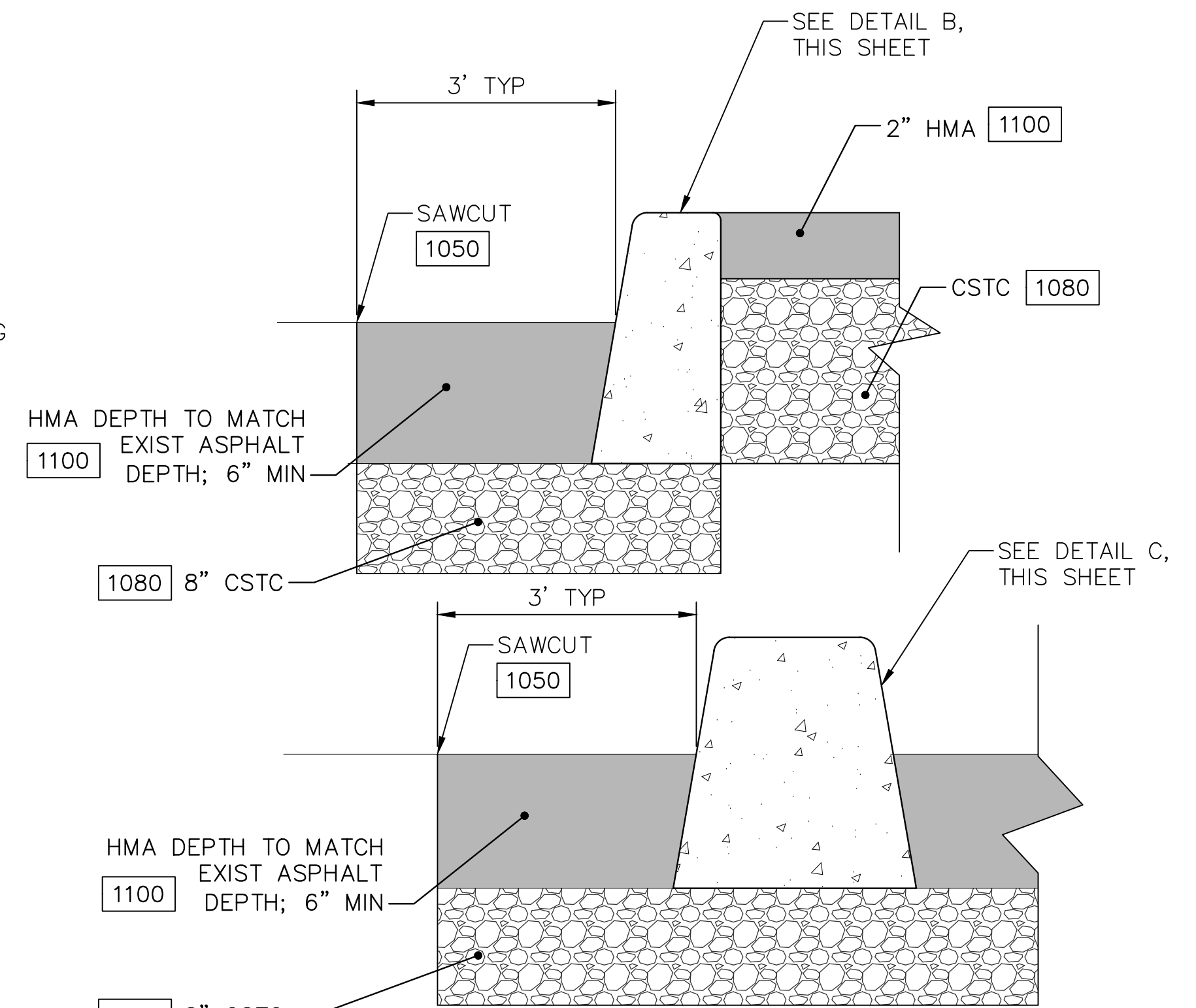
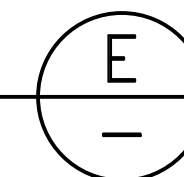
NOTES:

- SHAPE AND LOCATION VARIES. SEE PLANS.
- CROWN TO BE ROUNDED WITH NO SHARP GRADE BREAKS.
- MINIMIZE EXPOSED GROUT AT COBBLE JOINTS.
- SURFACE OF COBBLE FIELD SHALL BE SMOOTH AND FLAT TO GRADE WITHOUT VARIATION IN HEIGHT OF INDIVIDUAL COBBLES.
- ROCK SHALL BE SATURATED SURFACE MOIST PRIOR TO PLACEMENT.

NON-WALKING SURFACE DETAIL

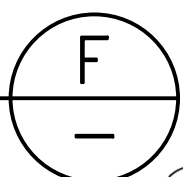
NOT TO SCALE

1150



TYPICAL SECTION - ISLAND

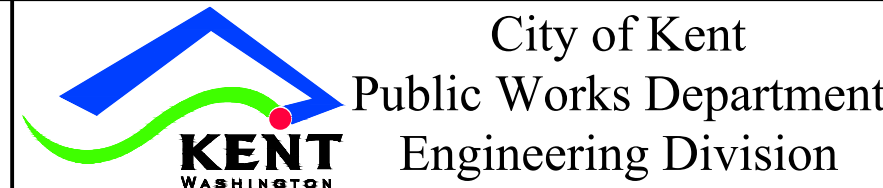
NOT TO SCALE



1/13/23

DESIGNED: BRAA	CHECKED: DNH	KENT PROJECT NO. 23-3001.1	SCALE: HORIZ: NONE
DRAWN: BRAA	PROJECT ENG: TJH	CONST. MGMT. REVIEW: EC	VERT: -
APPROVED: Chad Bieren	DATE: 2023.01.13 17:21:56-0800	CITY ENGINEER	DATE: -

BAR IS ONE INCH ON ORIGINAL DRAWING ADJUST SCALES ACCORDINGLY



DETAILS

BNSF RAILROAD QUIET ZONE

SHEET 4 OF 29
FILE NO. Quiet Zone Details