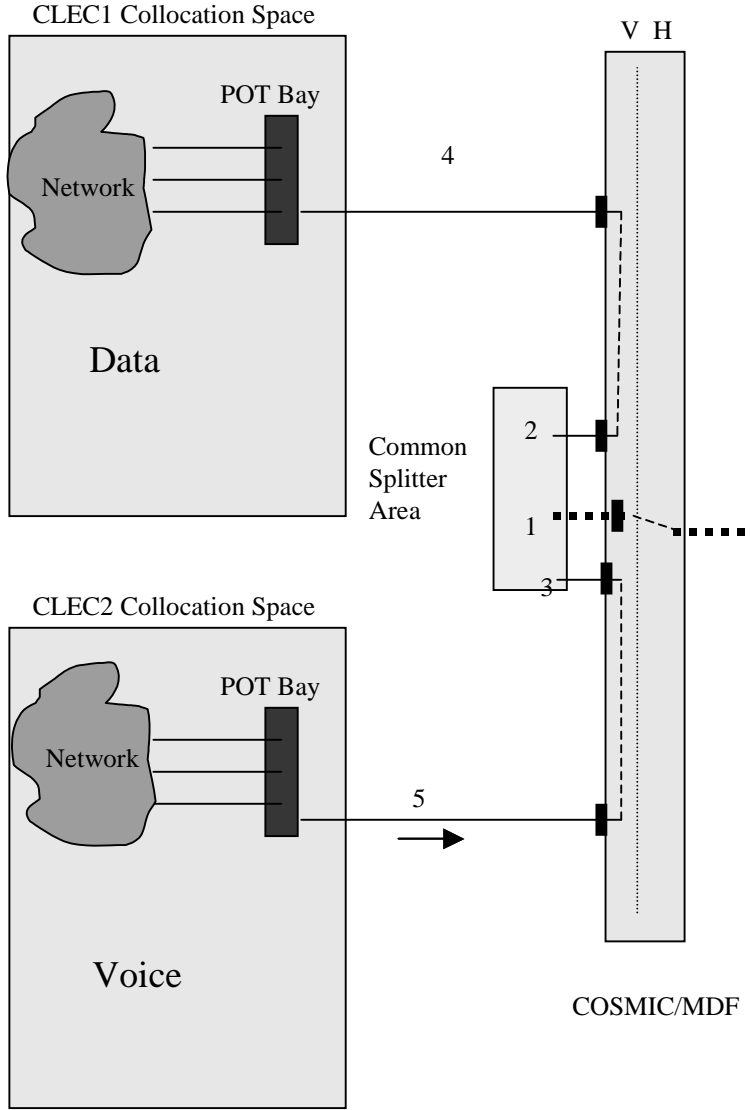


Docket NO. UT-003013  
 Part B  
 Exhibit RGS-2  
 Qwest Architecture with  
 An ICDF



Docket NO. UT-003013  
 Part B  
 Exhibit RGS-3  
 AT&T Proposed Architecture

New Line Splitting with  
 CLEC2 Voice and CLEC 1  
 Data to the end user

EICT

5 cables  
 5 connecting blocks  
 3 cross connects

█ = Connecting Block

----- = Cross Connect

———— = Cables