

**PRE-ORDERING/ORDERING
WITH CHANGE AS IS AND
WITHOUT**

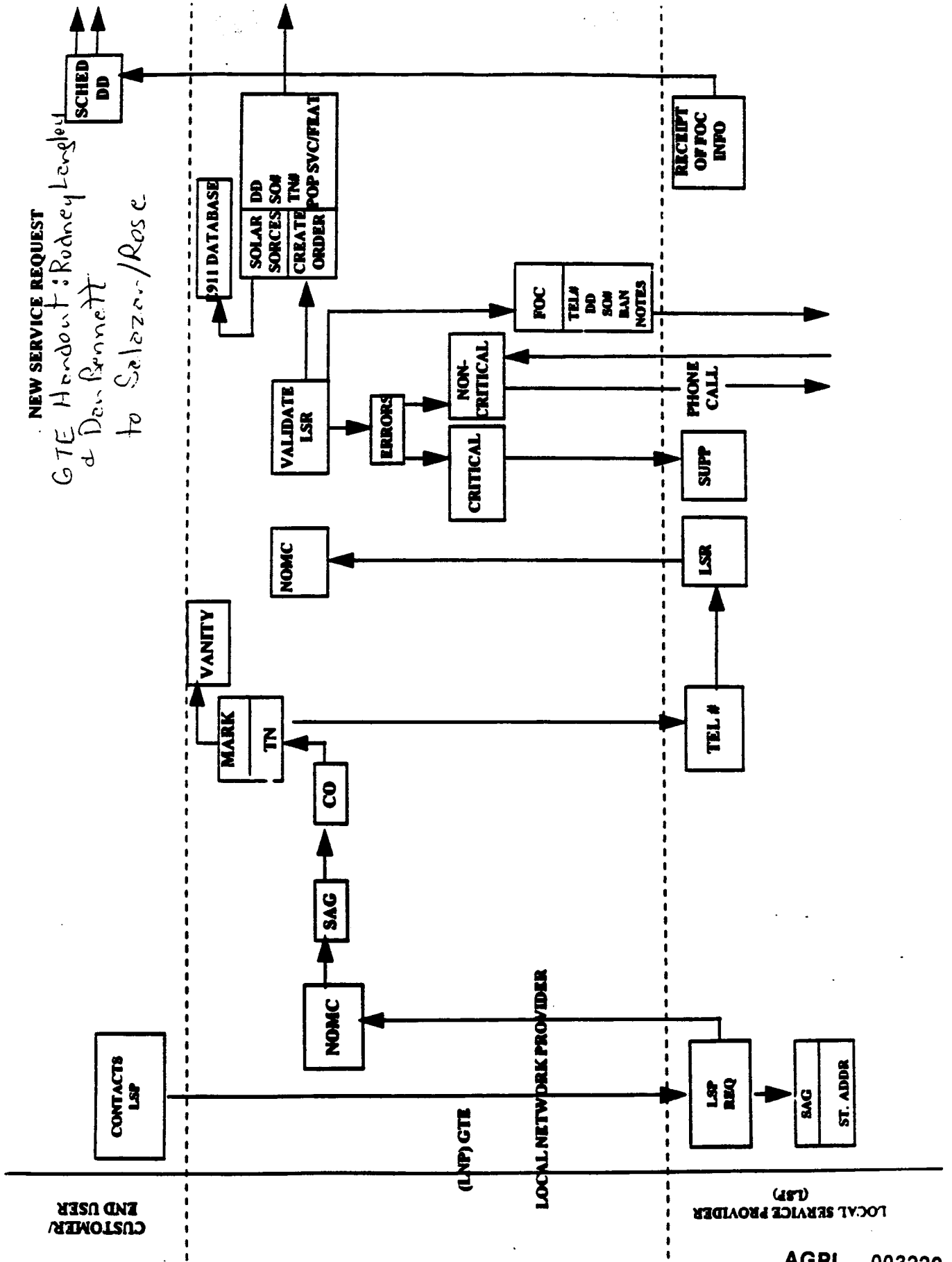
AGPL 003229

000658

6/4/96

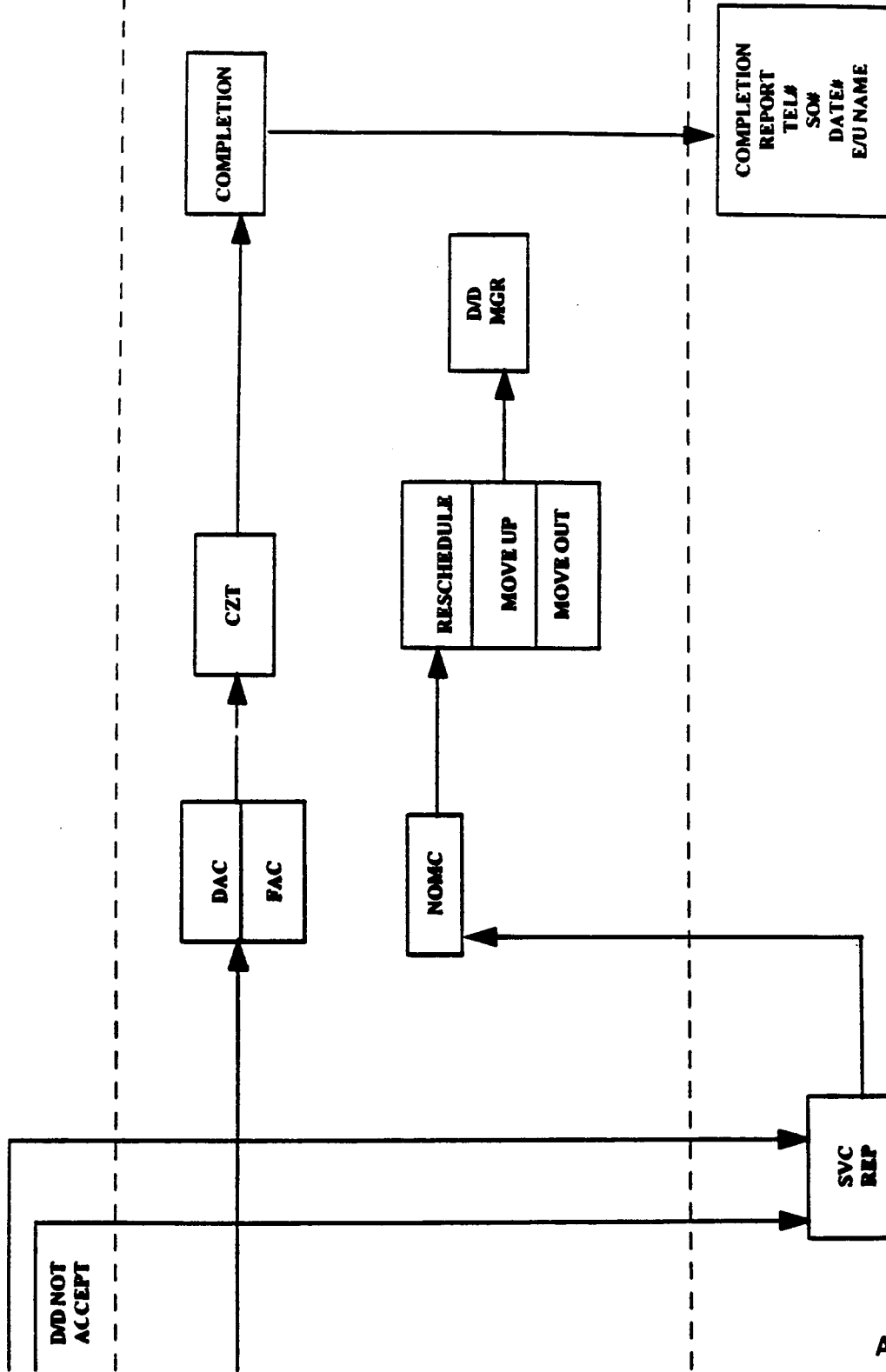
NEW SERVICE REQUEST

GTE Handout: Rodney Longley
& Dan Bennett
to Salazar/Rose



D/D ACCEPT

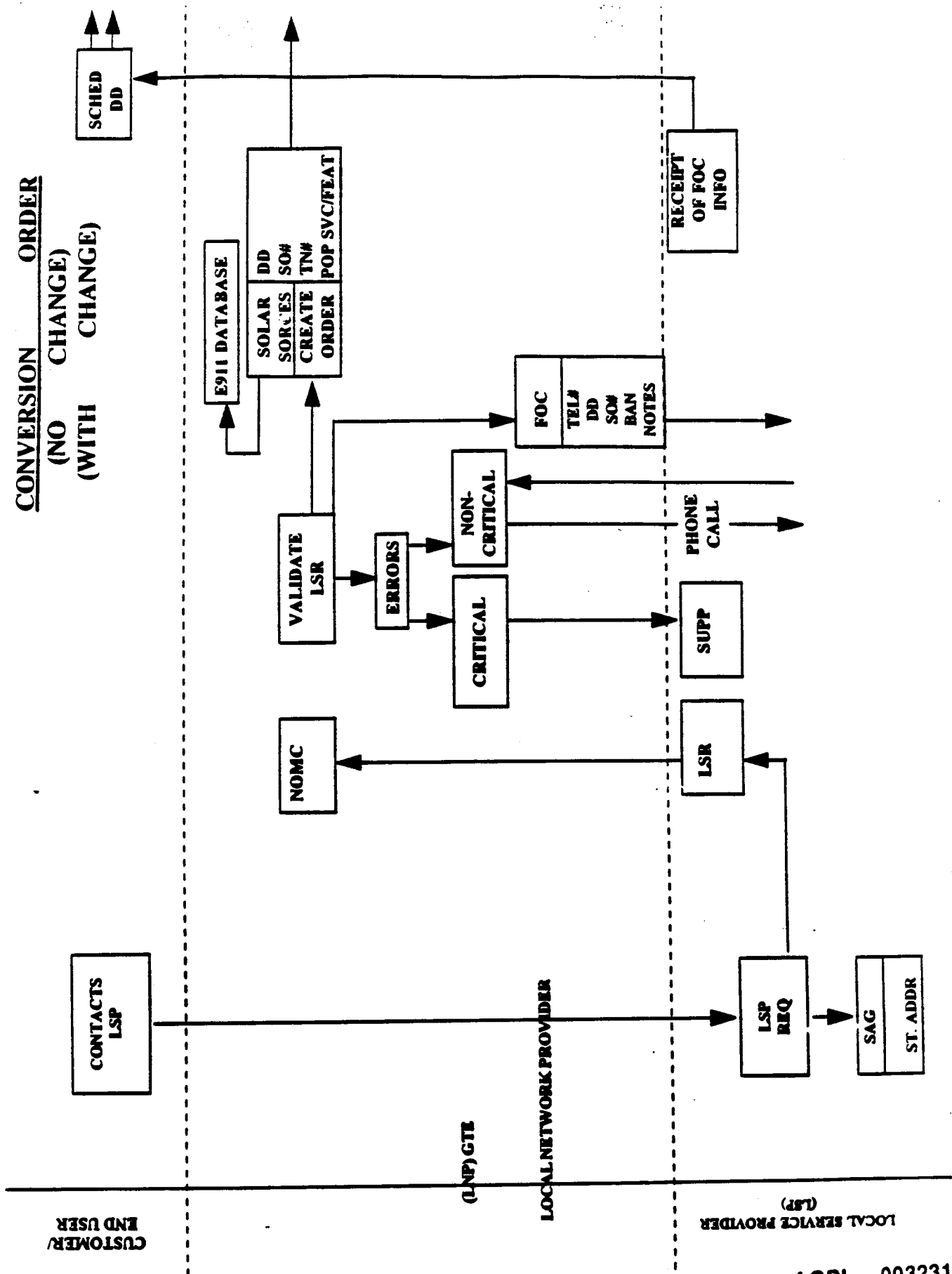
DD NOT
ACCEPT



AGPL 003230

000660

CONVERSION ORDER
 (NO CHANGE)
 (WITH CHANGE)



AGPL 003231

000661

D/D ACCEPT

D/D NOT
ACCEPT

COMPLETION

ORDER NOT DISTRIB. TO FIELD
(IF CHG OF SVC +/- DISTRIB TO CZT)

DAC
FAC

NOMC

RESCHEDULE
MOVE UP
MOVE OUT

D/D
MGR

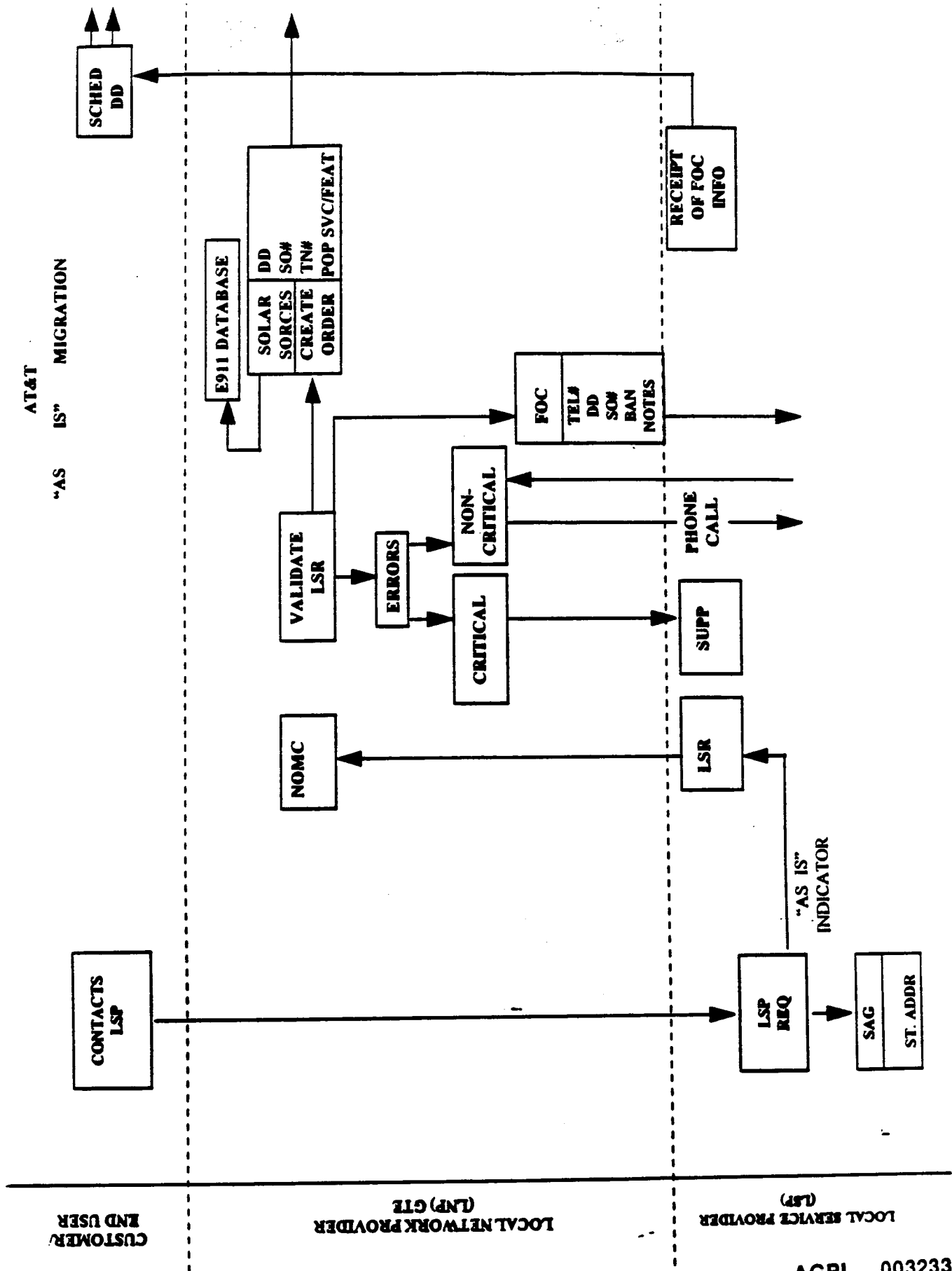
COMPLETION
REPORT
TEL#
SOM#
DATE#
E/U NAME

SVC
REP

AGPL 003232

000662

AT&T
"AS IS" MIGRATION



AGPL 003233

000663

D/D ACCEPT

D/D NOT
ACCEPT

COMPLETION

CZT

DAC
FAC

RESCHEDULE
MOVE UP
MOVE OUT

D/D
MGR

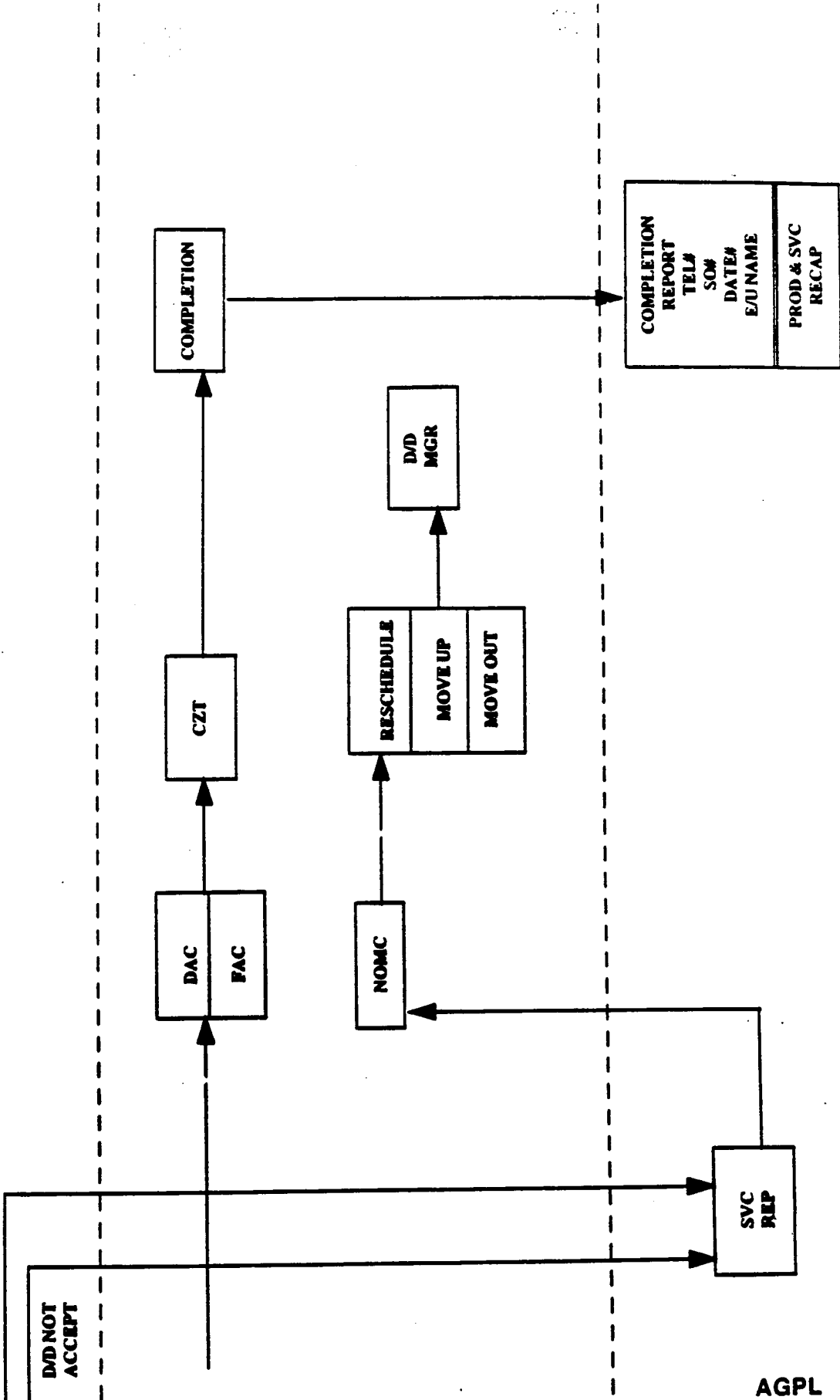
NOMC

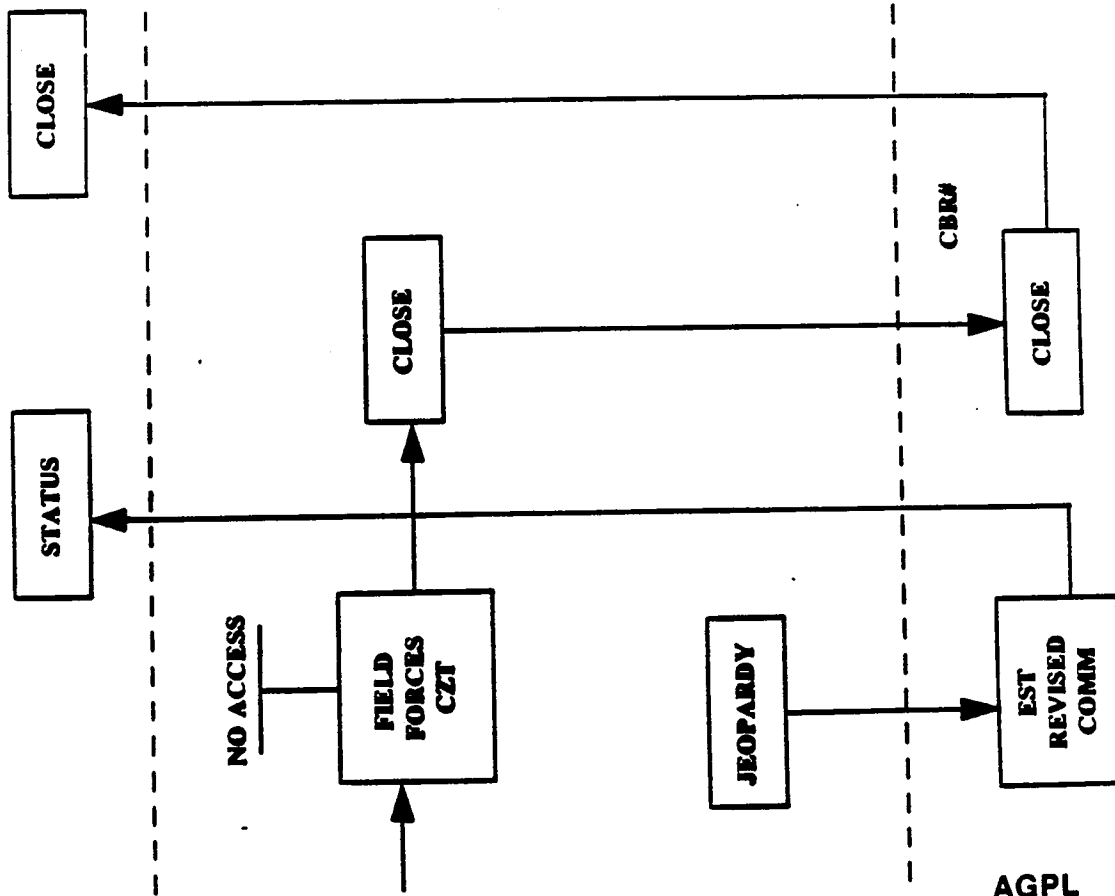
SVC
REP

COMPLETION REPORT TEL# SO# DATE# E/NAME	PROD & SVC RECAP
--	---------------------

AGPL 003234

000664





AGPL 003236

000666