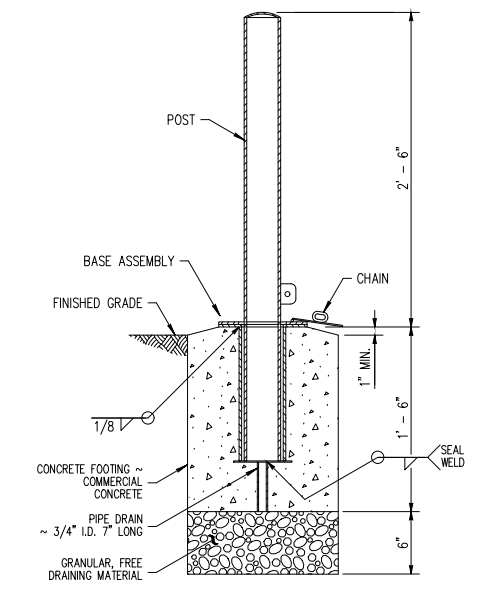
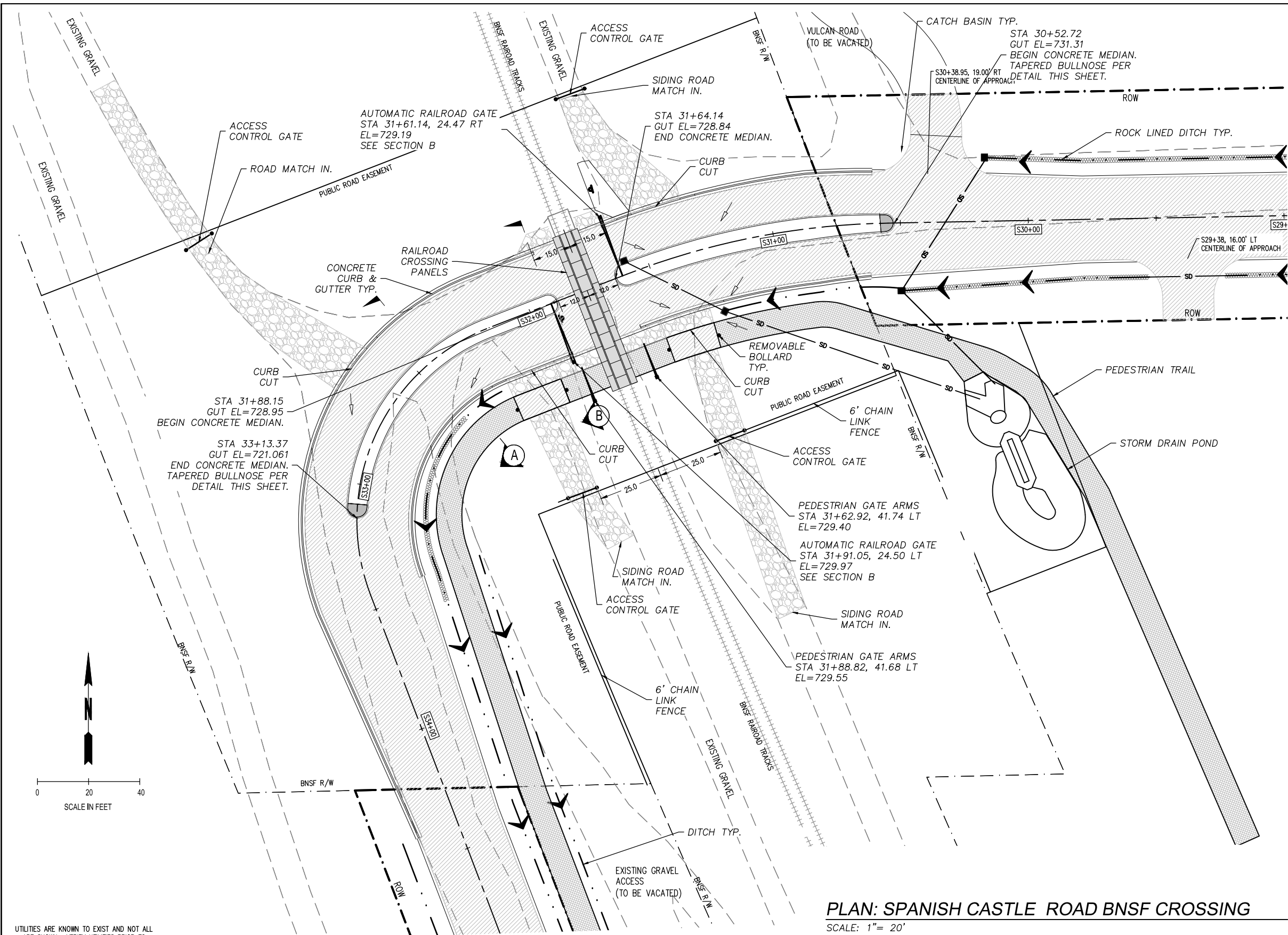
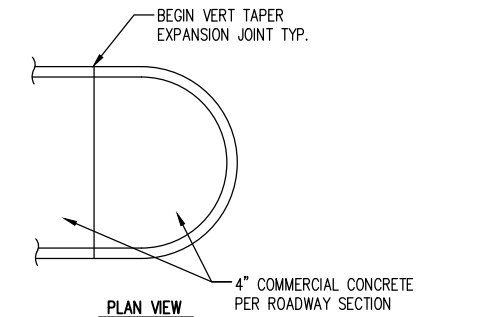
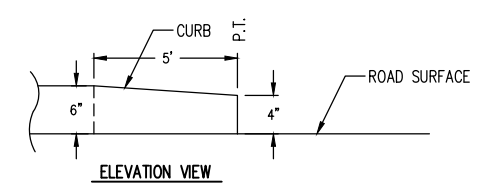


Aug 23, 2018 11:48:46am - User: kerrin.ferris  
 R:\PROJECTS\1446\1446\_01\SPANISH CASTLE RESORT\CADD\ARCHIVE\SR ROAD PHASE 2\1446.01 PLAN SHEETS RAILROAD.DWG

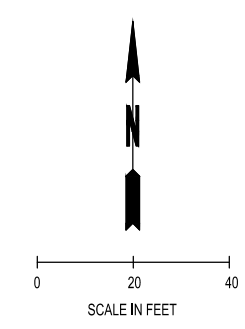


ADDITIONAL REMOVABLE  
 BOLLARD DETAILS PER WSDOT  
 STD PLANS H-60.10-01  
**REMOVABLE BOLLARD DETAIL**



**BULLNOSE DETAIL**

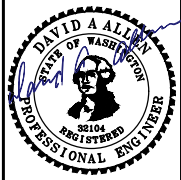
**PLAN: SPANISH CASTLE ROAD BNSF CROSSING**  
 SCALE: 1" = 20'



UTILITIES ARE KNOWN TO EXIST AND NOT ALL ARE SHOWN. VERIFY UTILITIES PRIOR TO CONSTRUCTION.

REVISIONS	DATE	BY	DESIGNED BY:	ISSUE DATE:
0 ORIGINAL SUBMITTAL	3/24/2015	DAA	D. ALLEN	11/11/2015
			D. JONES	JOB No.: 1446.02
			CHECKED BY:	DRAWING FILE No.: 1446.01 PLAN SHEETS RAILROAD

ALL DIMENSIONS  
 AND OFFSETS  
 SHOWN IN FEET  
 UNLESS OTHERWISE  
 DESIGNATED

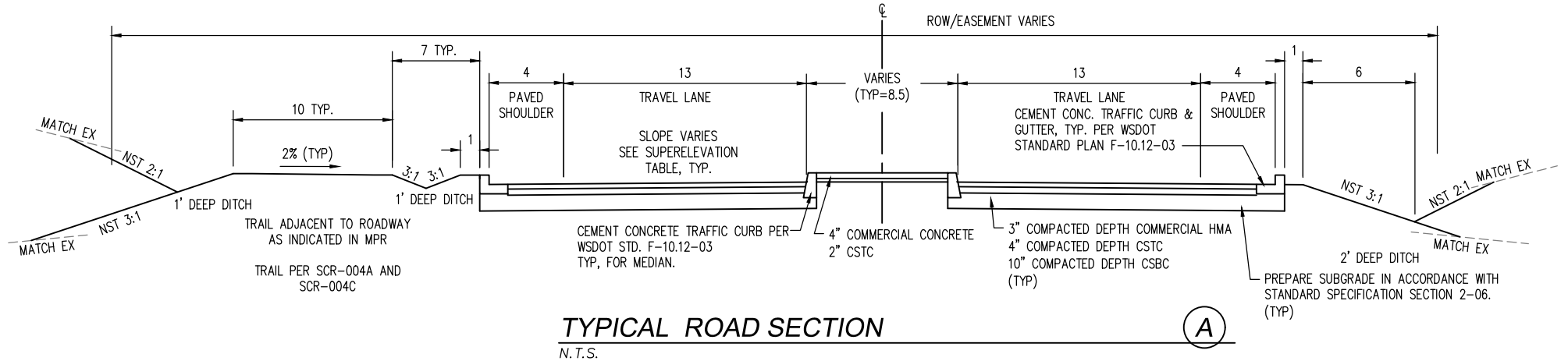
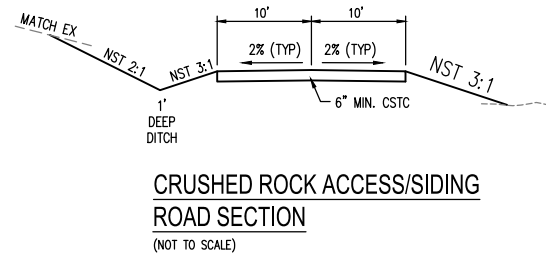
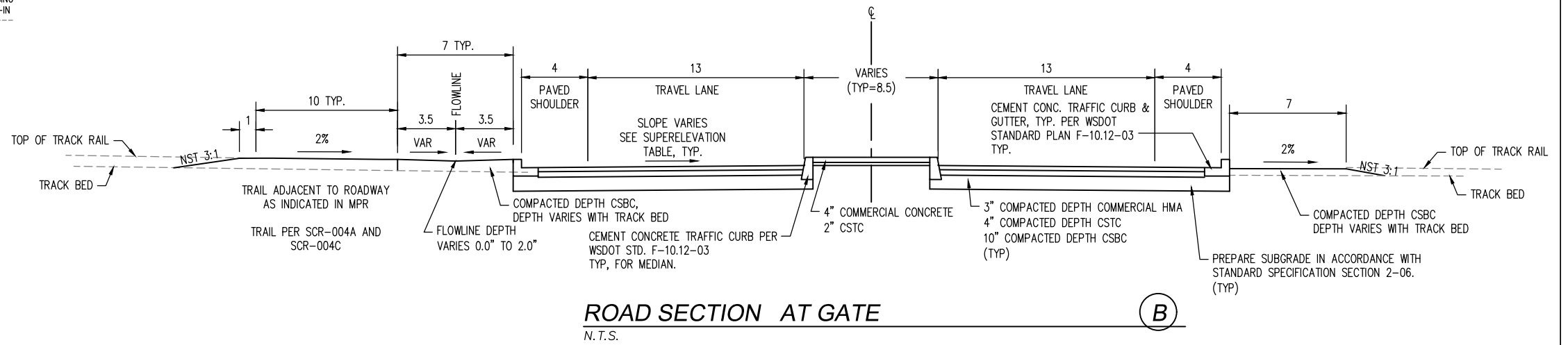
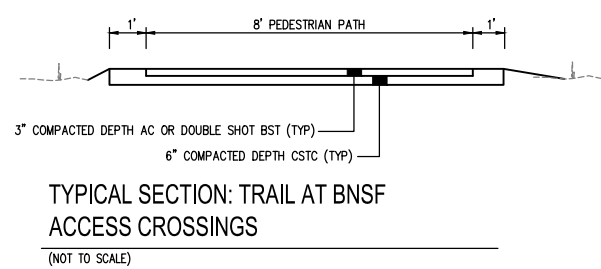
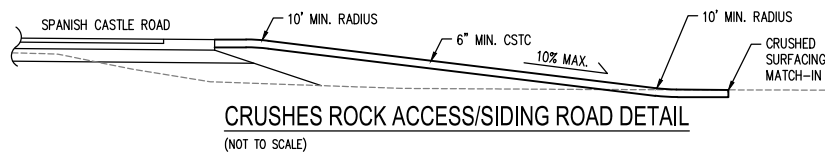
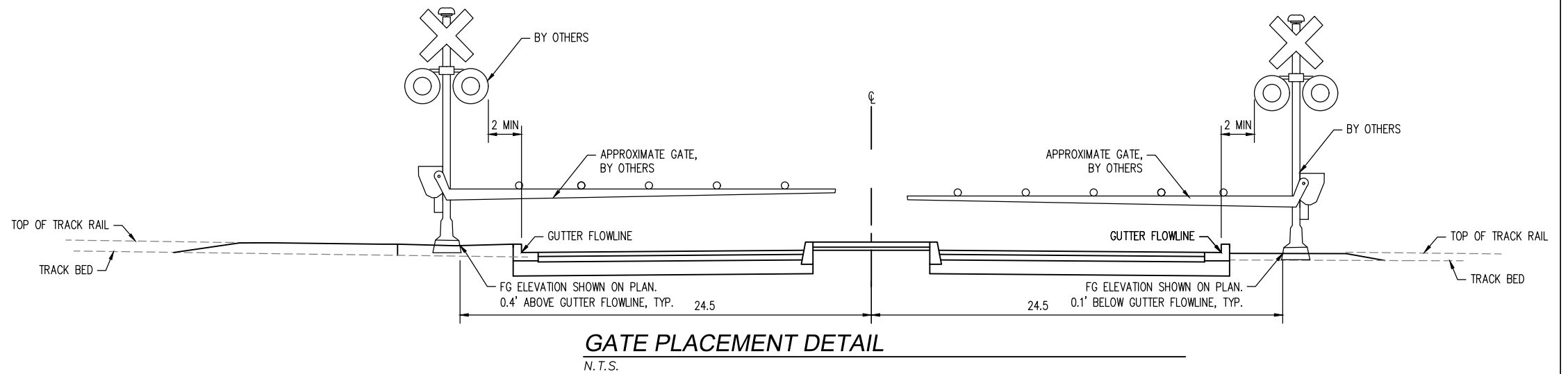


**SCJ ALLIANCE**  
 CONSULTING SERVICES  
 25 N WENATCHEE AVE, SUITE 238  
 WENATCHEE, WASHINGTON 98801  
 P: 509-630-0854 WWW.SCJALLIANCE.COM

PROJECT NAME:  
 SPANISH CASTLE  
 SPANISH CASTLE ROAD PHASE 2  
 DOUGLAS COUNTY, WASHINGTON

SPANISH CASTLE ROAD - PHASE 2  
 ROADWAY IMPROVEMENTS  
 BNSF CROSSING - PLAN

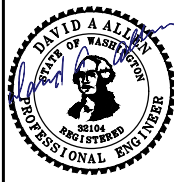
DRAWING No.: RR-1  
 SHEET No.: 1 OF 6



Aug 23, 2018 11:48:50am - User: wendy.farrell  
 R:\PROJECTS\1446\ROBERT FAMILY PROJECTS\1446.01 SPANISH CASTLE RESORT\CADD\ARCHIVE\SCR ROAD PHASE 2\1446.01 PLAN SHEETS RAILROAD.DWG

REVISIONS	DATE	BY	DESIGNED BY:	ISSUE DATE:
0	3/24/2015	DAA	D. ALLEN	11/11/2015
			D. JONES	1446.02
			CHECKED BY:	DRAWING FILE No.: 1446.01 PLAN SHEETS RAILROAD

ALL DIMENSIONS AND OFFSETS SHOWN IN FEET UNLESS OTHERWISE DESIGNATED



**SCJ ALLIANCE**  
CONSULTING SERVICES  
25 N WENATCHEE AVE, SUITE 238  
WENATCHEE, WASHINGTON 98801  
P: 509-630-0854 WWW.SCJALLIANCE.COM

PROJECT NAME:  
SPANISH CASTLE  
SPANISH CASTLE ROAD PHASE 2  
DOUGLAS COUNTY, WASHINGTON

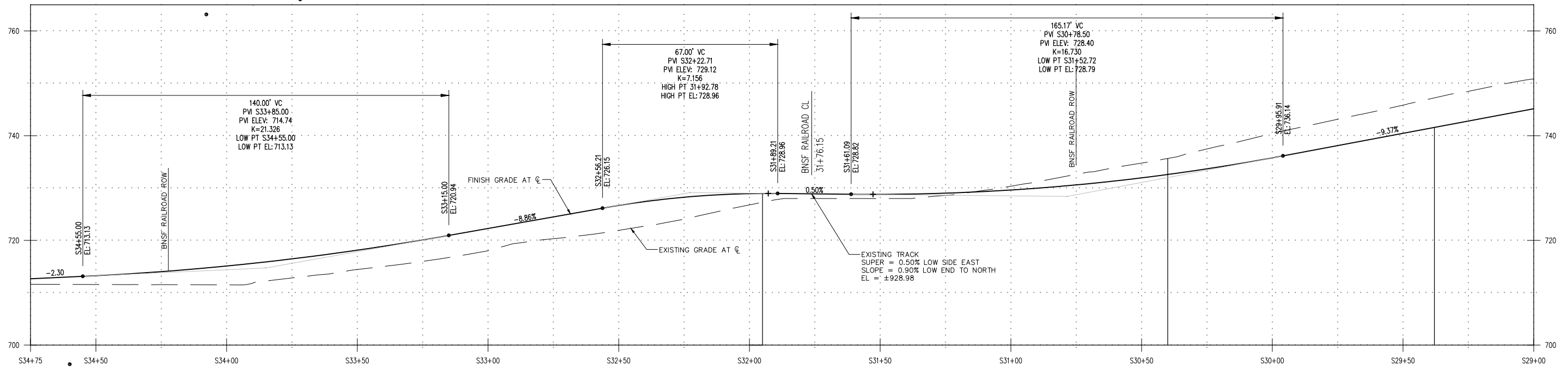
SPANISH CASTLE ROAD - PHASE 2  
ROADWAY IMPROVEMENTS

BNSF CROSSING - ROAD SECTIONS

DRAWING No.:	RR-2
SHEET No.:	2 OF 6



Aug 23, 2018 11:48:55am - User: kerrin.ferris  
 R:\PROJECTS\1446\RRBET\FAMILY\PROJECTS\1446.01 SPANISH CASTLE RESORT\CADD\ARCHIVE\SR ROAD PHASE 2\1446.01 PLAN SHEETS RAILROAD.DWG

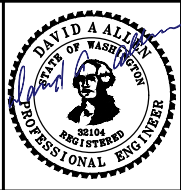


**PROFILE: SPANISH CASTLE ROAD**  
 SCALE: 1" = 20'hz, 1" = 10'vt

UTILITIES ARE KNOWN TO EXIST AND NOT ALL ARE SHOWN. VERIFY UTILITIES PRIOR TO CONSTRUCTION.

REVISIONS	DATE	BY	DESIGNED BY:	ISSUE DATE:
0 ORIGINAL SUBMITTAL	3/24/2015	DAA	D. ALLEN	11/11/2015
			D. JONES	JOB No.: 1446.02
			CHECKED BY:	DRAWING FILE No.: 1446.01 PLAN SHEETS RAILROAD

ALL DIMENSIONS AND OFFSETS SHOWN IN FEET UNLESS OTHERWISE DESIGNATED



**SCJ ALLIANCE**  
 CONSULTING SERVICES  
 25 N WENATCHEE AVE, SUITE 238  
 WENATCHEE, WASHINGTON 98801  
 P: 509-630-0854 WWW.SCJALLIANCE.COM

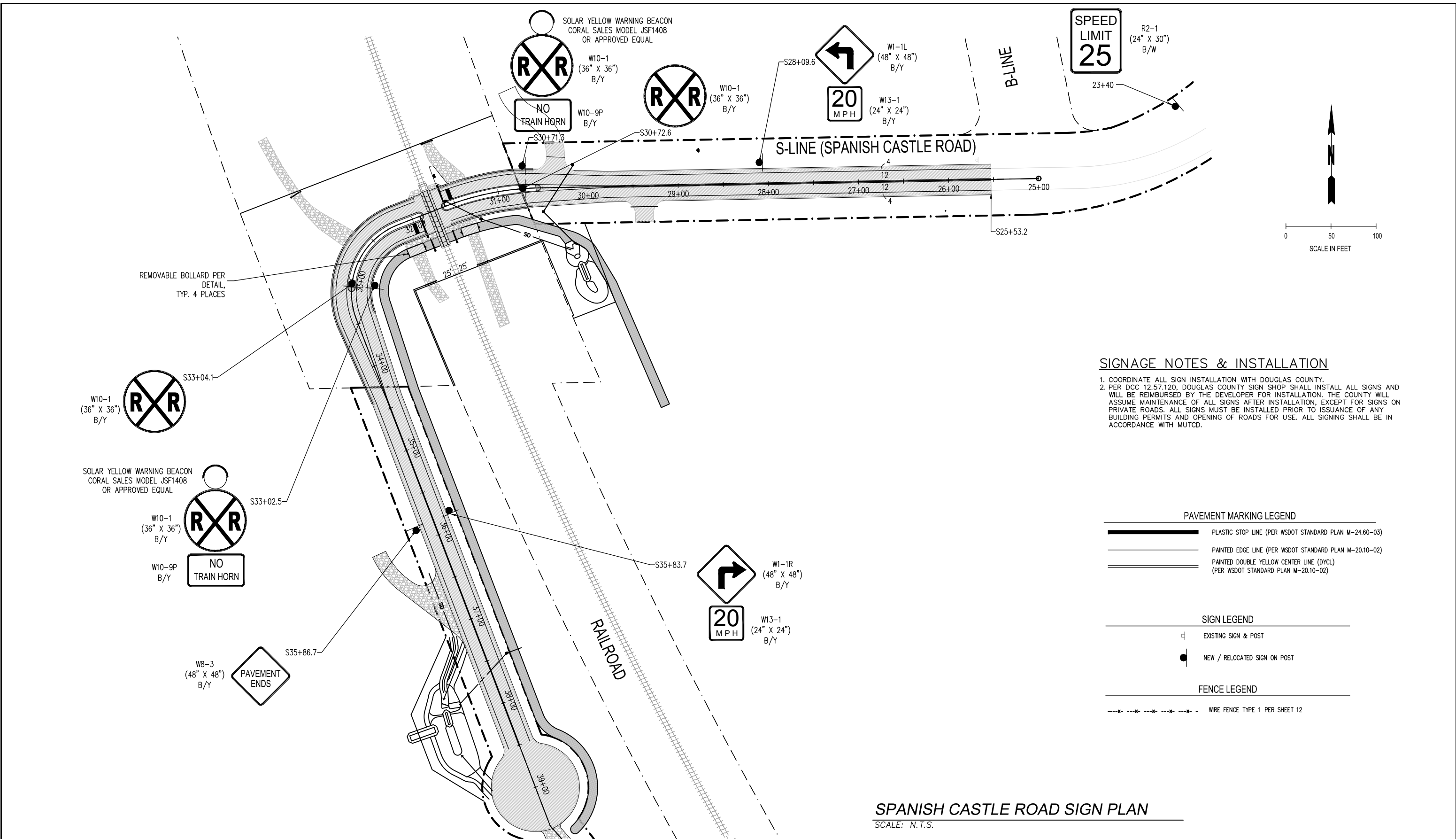
PROJECT NAME:  
 SPANISH CASTLE  
 SPANISH CASTLE ROAD PHASE 2  
 DOUGLAS COUNTY, WASHINGTON

SPANISH CASTLE ROAD - PHASE 2  
 ROADWAY IMPROVEMENTS  
 BNSF CROSSING - ROAD PROFILE

DRAWING No.: RR-4  
 SHEET No.: 4 OF 6



Aug 23, 2018 11:48:56am - User: kerrin.ferris  
 R:\PROJECTS\1446\1446\_RBERT\_FAMILY\_PROJECTS\1446.01 SPANISH CASTLE RESORT\LOAD\WORKING\SR ROAD PHASE 2\1446.01 PLAN SHEETS RAILROAD.DWG



**SIGNAGE NOTES & INSTALLATION**

- COORDINATE ALL SIGN INSTALLATION WITH DOUGLAS COUNTY.
- PER DCC 12.57.120, DOUGLAS COUNTY SIGN SHOP SHALL INSTALL ALL SIGNS AND WILL BE REIMBURSED BY THE DEVELOPER FOR INSTALLATION. THE COUNTY WILL ASSUME MAINTENANCE OF ALL SIGNS AFTER INSTALLATION, EXCEPT FOR SIGNS ON PRIVATE ROADS. ALL SIGNS MUST BE INSTALLED PRIOR TO ISSUANCE OF ANY BUILDING PERMITS AND OPENING OF ROADS FOR USE. ALL SIGNING SHALL BE IN ACCORDANCE WITH MUTCD.

**PAVEMENT MARKING LEGEND**

- PLASTIC STOP LINE (PER WSDOT STANDARD PLAN M-24.60-03)
- PAINTED EDGE LINE (PER WSDOT STANDARD PLAN M-20.10-02)
- PAINTED DOUBLE YELLOW CENTER LINE (DYCL) (PER WSDOT STANDARD PLAN M-20.10-02)

**SIGN LEGEND**

- EXISTING SIGN & POST
- NEW / RELOCATED SIGN ON POST

**FENCE LEGEND**

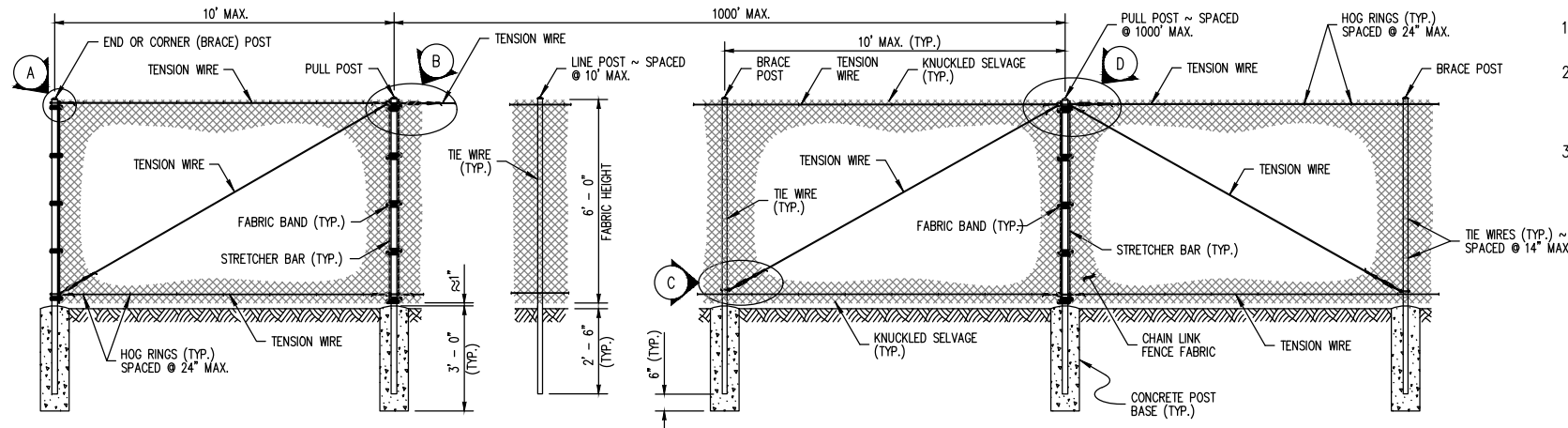
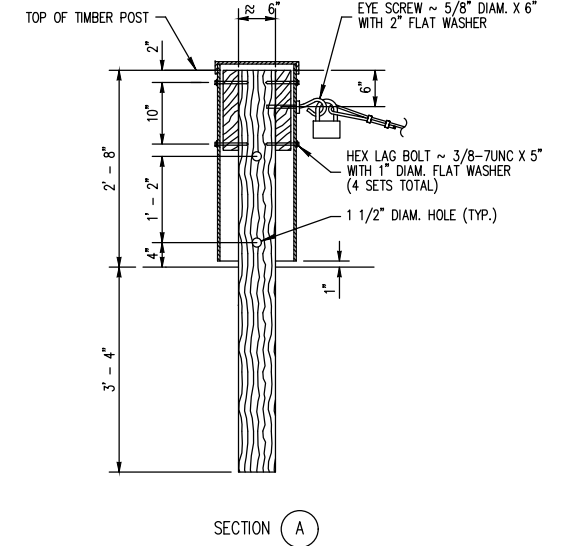
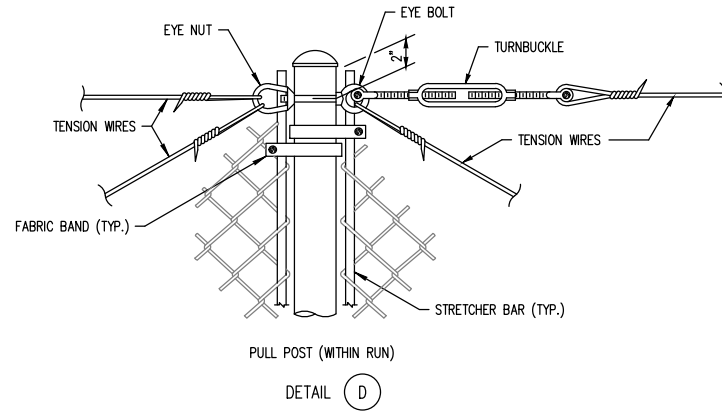
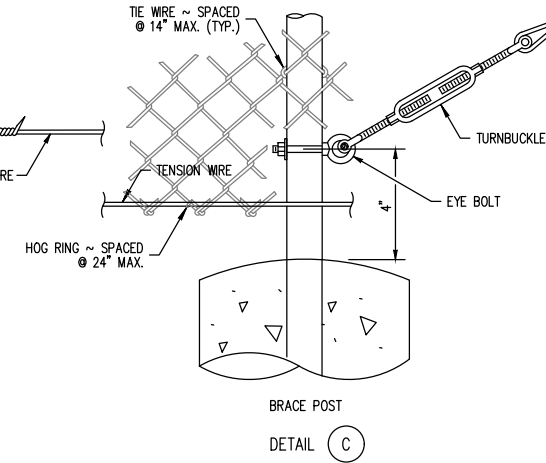
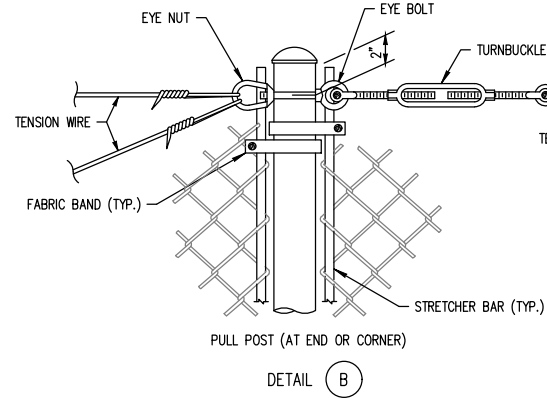
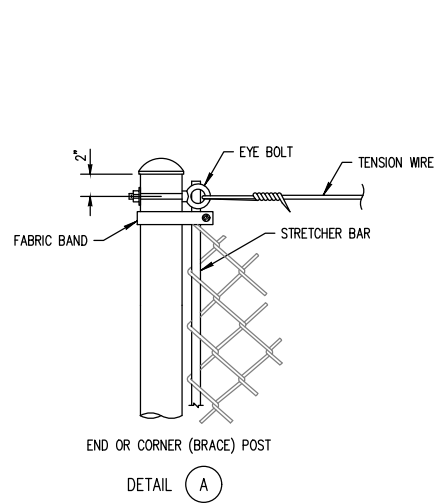
- WIRE FENCE TYPE 1 PER SHEET 12

**SPANISH CASTLE ROAD SIGN PLAN**  
 SCALE: N.T.S.

<table border="1"> <thead> <tr> <th>REVISIONS</th> <th>DATE</th> <th>BY</th> </tr> </thead> <tbody> <tr> <td>0</td> <td>3/24/2015</td> <td>DAA</td> </tr> </tbody> </table>		REVISIONS	DATE	BY	0	3/24/2015	DAA	DESIGNED BY: D. ALLEN  DRAWN BY: D. JONES  CHECKED BY:	ISSUE DATE: 09/25/2015  JOB No.: 1446.02  DRAWING FILE No.: 1446.01 PLAN SHEETS RAILROAD	ALL DIMENSIONS AND OFFSETS SHOWN IN FEET UNLESS OTHERWISE DESIGNATED		<p> <b>SCJ ALLIANCE</b>          CONSULTING SERVICES          25 N WENATCHEE AVE, SUITE 238          WENATCHEE, WASHINGTON 98801          P: 509-630-0854 WWW.SCJALLIANCE.COM       </p>	PROJECT NAME:  SPANISH CASTLE SPANISH CASTLE ROAD PHASE 2 DOUGLAS COUNTY, WASHINGTON	DRAWING No.: RR-5  SHEET No.: 5 OF 6
REVISIONS	DATE	BY												
0	3/24/2015	DAA												

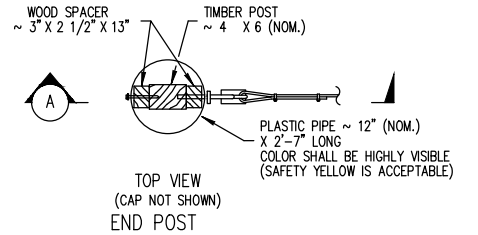
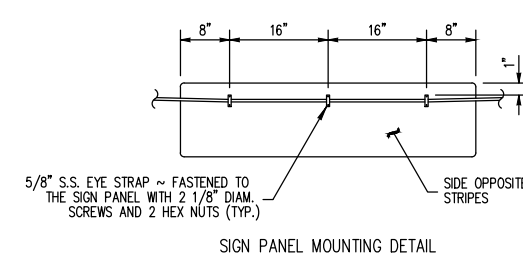
SPANISH CASTLE ROAD - PHASE 2  
ROADWAY IMPROVEMENTS

BNSF CROSSING SIGN PLAN

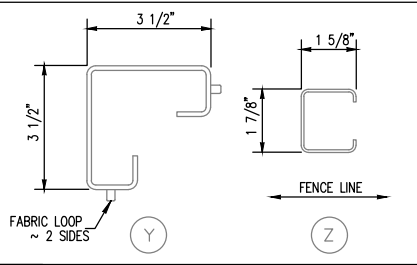


**NOTES**

1. ALL CONCRETE POST BASES SHALL BE 10" MINIMUM DIAMETER.
2. ALONG THE TOP AND BOTTOM, USING HOG RINGS, FASTEN THE CHAIN LINK FENCE FABRIC TO THE TENSION WIRE WITHIN THE LIMITS OF THE FIRST FULL FABRIC WEAVE.
3. DETAILS ARE ILLUSTRATIVE AND SHALL NOT LIMIT HARDWARE DESIGN OR POST SELECTION OF ANY PARTICULAR FENCE TYPE.

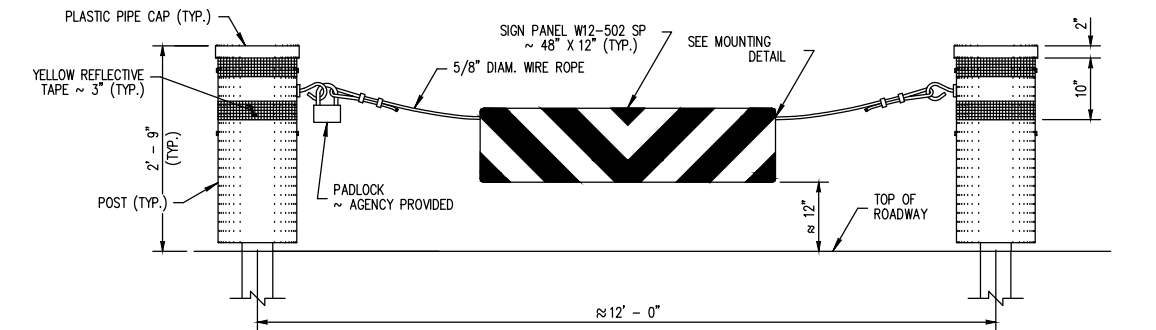
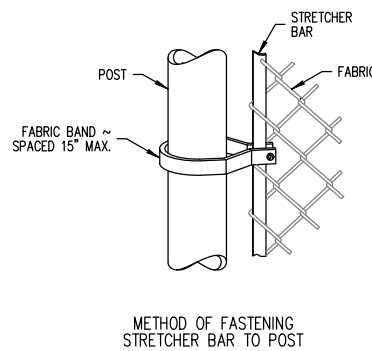


POST AND RAIL SPECIFICATIONS			
POST	PIPE	ROLL FORMED	
	NOM. SIZE (SCH. 40) I.D.	SECTION	WEIGHT (lb/ft)
END, CORNER, OR PULL POST	2 1/2" DIAM.	Y	5.10
LINE OR BRACE POST	2" DIAM.	Z	1.85



**6' CHAIN LINK FENCE**

SCALE: N.T.S.



**NOTE**

Hardware shall be stainless steel or galvanized in accordance with AASHTO M232.

**ELEVATION**

**ACCESS CONTROL GATE**

SCALE: N.T.S.

Aug 23, 2018 11:48:56am - User: kerrin.ferris  
K:\PROJECTS\1446\1446\_RBERT\_FAMILY\_PROJECTS\1446.01\_SPANISH\_CASTLE\_RESORT\CADD\WORKING\SR\_Road\_Phase\_2\1446.01\_Plan\_Sheets\_Railroad.dwg

REVISIONS	DATE	BY	DESIGNED BY:	ISSUE DATE:
0 ORIGINAL SUBMITTAL	3/24/2015	DAA	D. ALLEN	09/25/2015
			D. JONES	1446.02
			CHECKED BY:	DRAWING FILE No.: 1446.01 PLAN SHEETS RAILROAD

ALL DIMENSIONS AND OFFSETS SHOWN IN FEET UNLESS OTHERWISE DESIGNATED

**SCJ ALLIANCE**  
CONSULTING SERVICES  
25 N WENATCHEE AVE, SUITE 238  
WENATCHEE, WASHINGTON 98801  
P: 509-630-0854 WWW.SCJALLIANCE.COM

PROJECT NAME:  
**SPANISH CASTLE**  
**SPANISH CASTLE ROAD PHASE 2**  
**DOUGLAS COUNTY, WASHINGTON**

DRAWING No.:  
**RR-6**

SHEET No.:  
**6 OF 6**

**SPANISH CASTLE ROAD - PHASE 2**  
**ROADWAY IMPROVEMENTS**

**FENCE DETAILS**