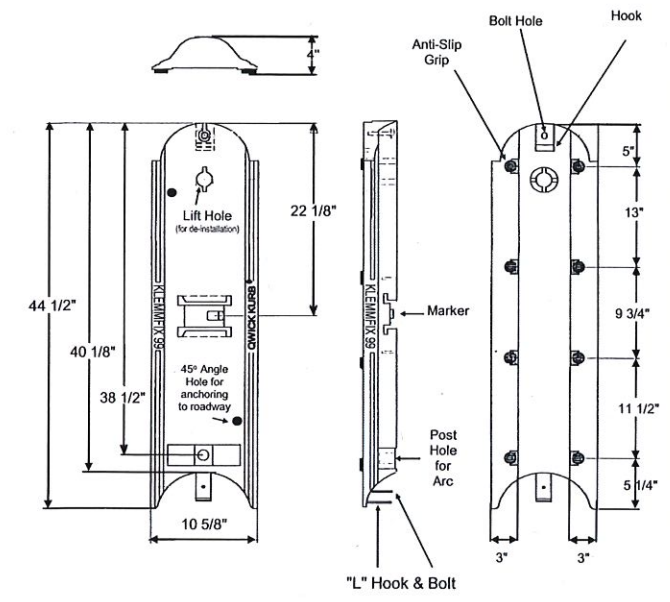
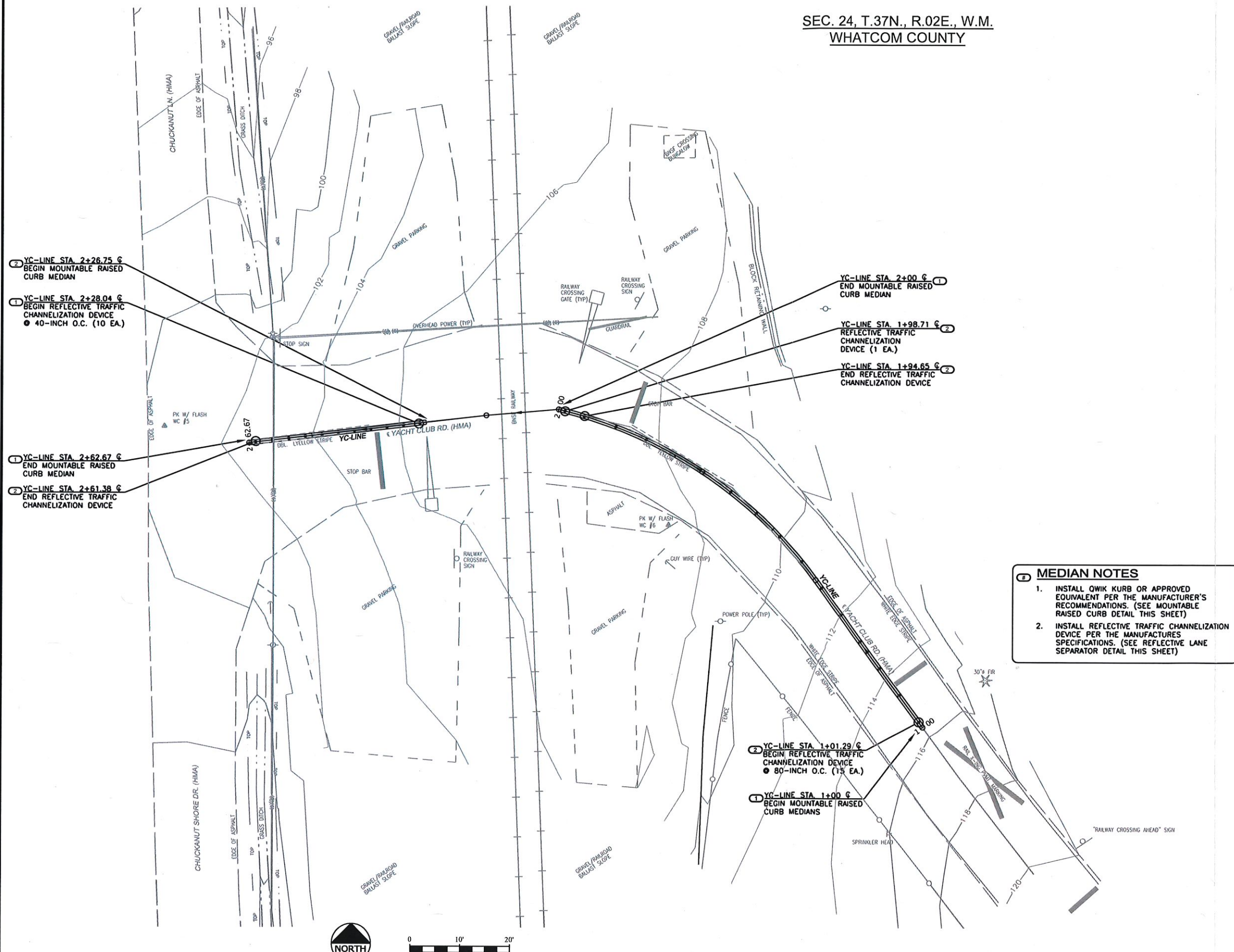


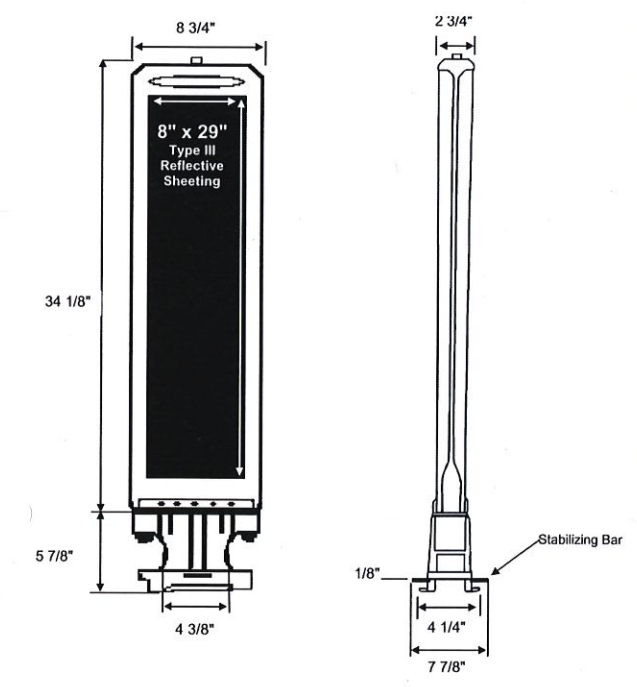
SEC. 24, T.37N., R.02E., W.M.
WHATCOM COUNTY



1 MOUNTABLE RAISED CURB DETAIL
NOT TO SCALE

1 MEDIAN NOTES

1. INSTALL OWIK KURB OR APPROVED EQUIVALENT PER THE MANUFACTURER'S RECOMMENDATIONS. (SEE MOUNTABLE RAISED CURB DETAIL THIS SHEET)
2. INSTALL REFLECTIVE TRAFFIC CHANNELIZATION DEVICE PER THE MANUFACTURER'S SPECIFICATIONS. (SEE REFLECTIVE LANE SEPARATOR DETAIL THIS SHEET)



2 REFLECTIVE TRAFFIC CHANNELIZATION DEVICE DETAIL
NOT TO SCALE



PRELIMINARY (100% REVIEW SET)

No.	DATE	BY	ISSUED PLAN SET / REVISION
1			
2			
3			
4			

DATA	DESIGN	DRAWN	CHECK
BASE:	CJS	CJS	JPK
PLAN:	CJS	CJS	JPK
HORIZ. DATUM:	ASSUMED		
VERT. DATUM:	ASSUMED		

DATE:	MARCH 2016
JOB No:	CRP 916008
ROAD No:	40660
FILE:	

WHATCOM COUNTY
DEPARTMENT OF PUBLIC WORKS
322 N. COMMERCIAL ST., SUITE 301 BELLINGHAM, WA 98225
(360) 778-6200

PROJECT:	YACHT CLUB RAILWAY CROSSING COUNTY ROAD-RAILROAD GRADE CROSSING IMPROVEMENT
TITLE:	MOUNTABLE RAISED CURB MEDIAN EXHIBIT

SHEET:	01
OF:	01