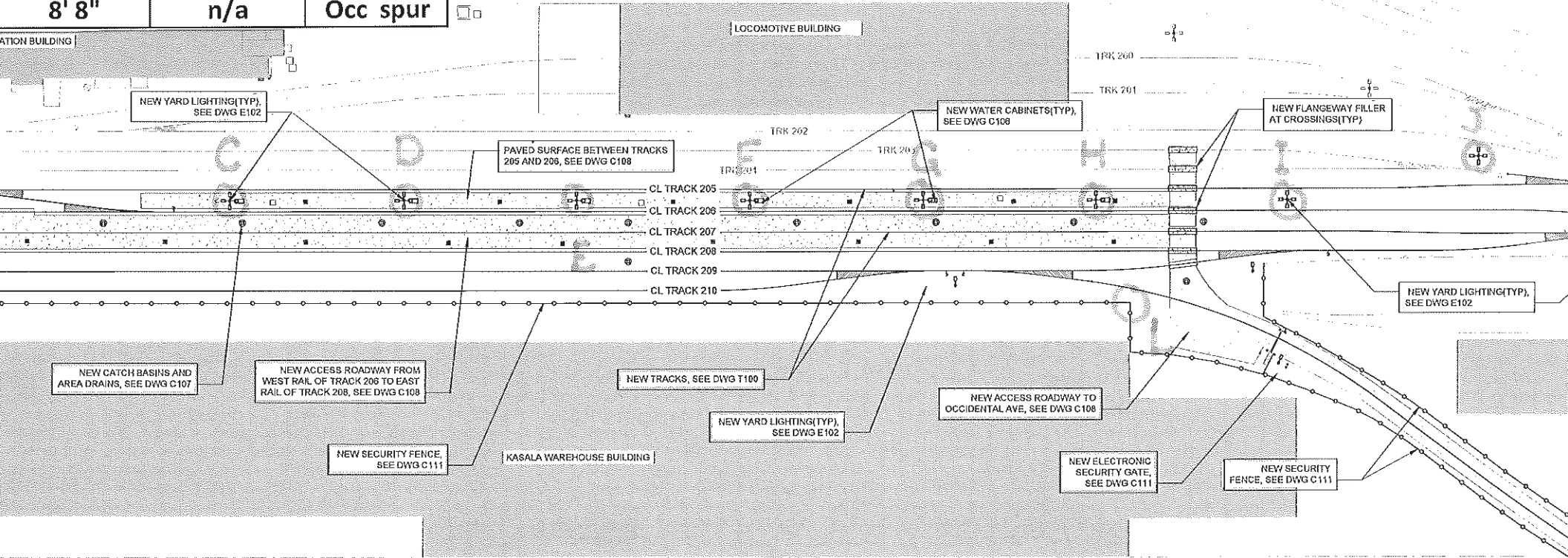
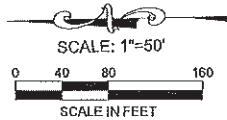


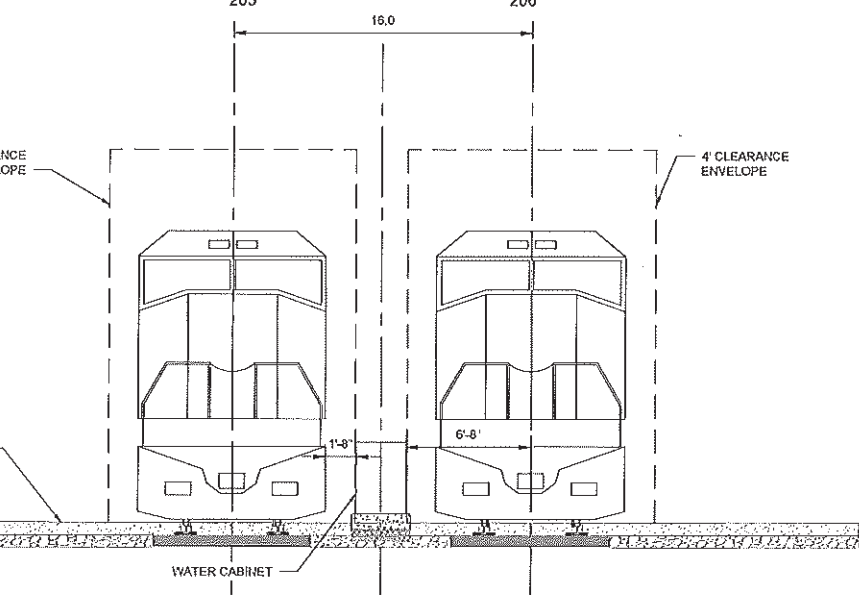
6' 9 3/4"	6' 10"	206/205
6' 10 3/4"	6' 7 3/4"	206/205
6' 11 1/4"	6' 9 1/4"	206/205
6' 10 3/4"	6' 8 3/4"	206/205
6' 11 1/4"	6' 8 3/4"	206/205
6' 10 1/4"	6' 9 3/4"	206/205
6' 8 3/4"	7' 3/4"	206/205
6' 7"	7' 7"	206/205
8'	7' 10 1/4"	203/202
8' 8"	n/a	Occ spur

1. THE CONTRACTOR IS RESPONSIBLE FOR CONSTRUCTION SEQUENCING.
2. SEE DWG C010 FOR CIVIL, EXCAVATION NOTES.
3. SEE DWG C108 AND T100 FOR UTILITIES.
4. SEE DWG E102 FOR ELECTRICAL PLAN.



SITE PLAN 1
C105

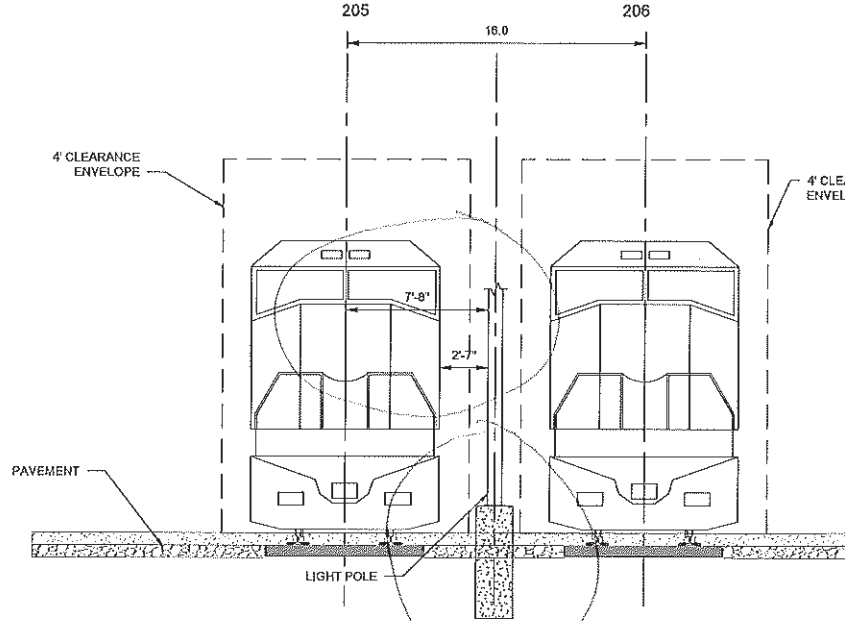




TRACK SECTION AT WATER CABINET

SCALE: 1"=5'

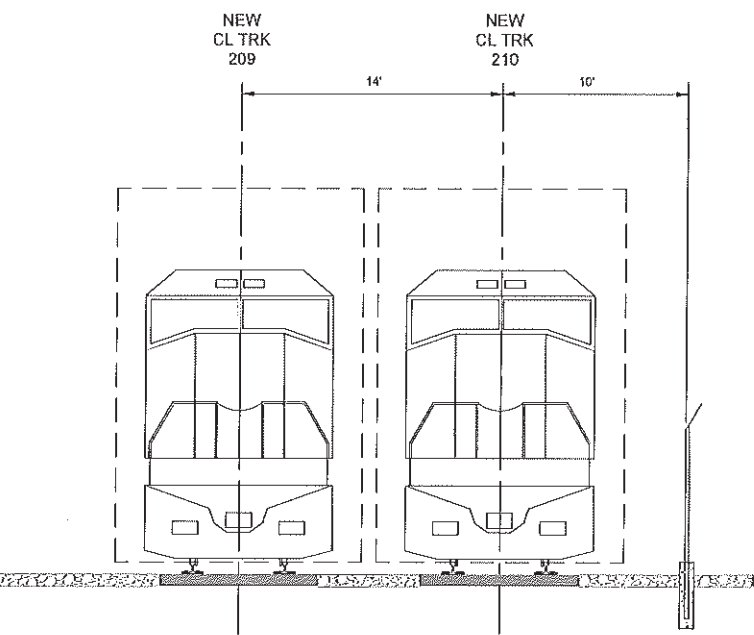
1
T160



TRACK SECTION AT LIGHT POLE

SCALE: 1"=5'

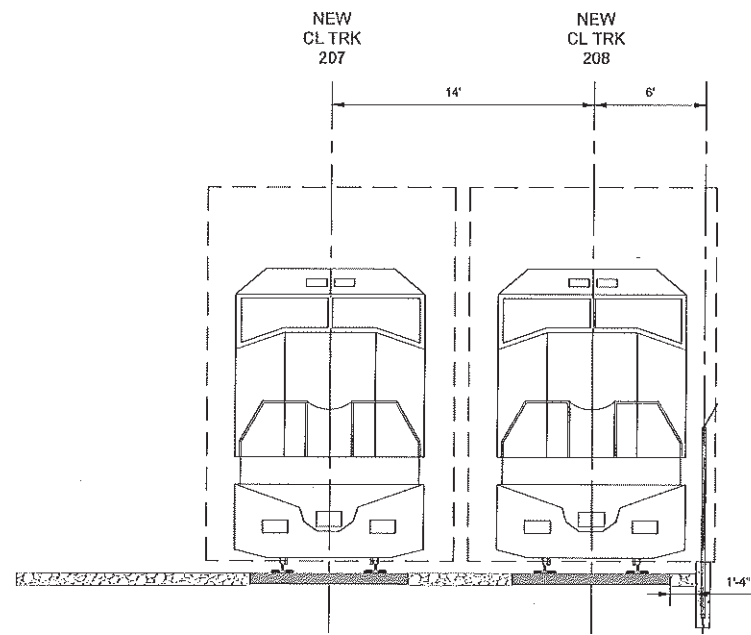
2
T160



TRACK SECTION AT FENCE
ALONG KASALA WAREHOUSE

SCALE: 1"=5'

1
T160



TRACK SECTION AT FENCE
ALONG WAREHOUSE 2

SCALE: 1"=5'

1
T160