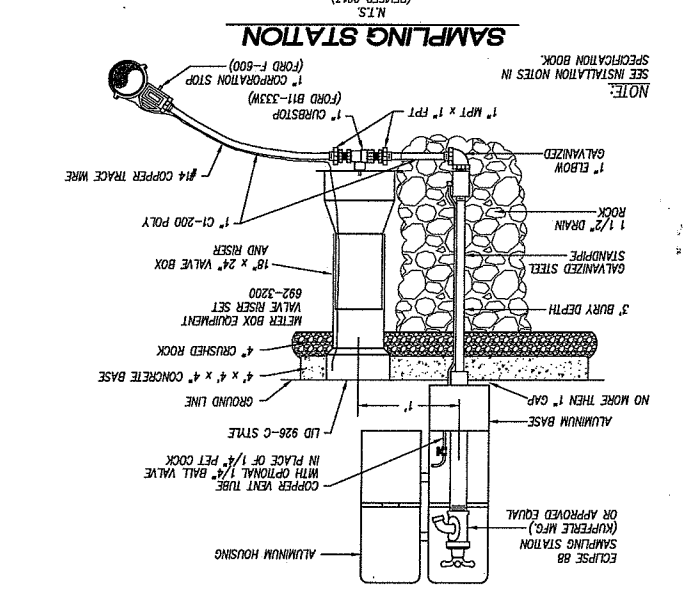
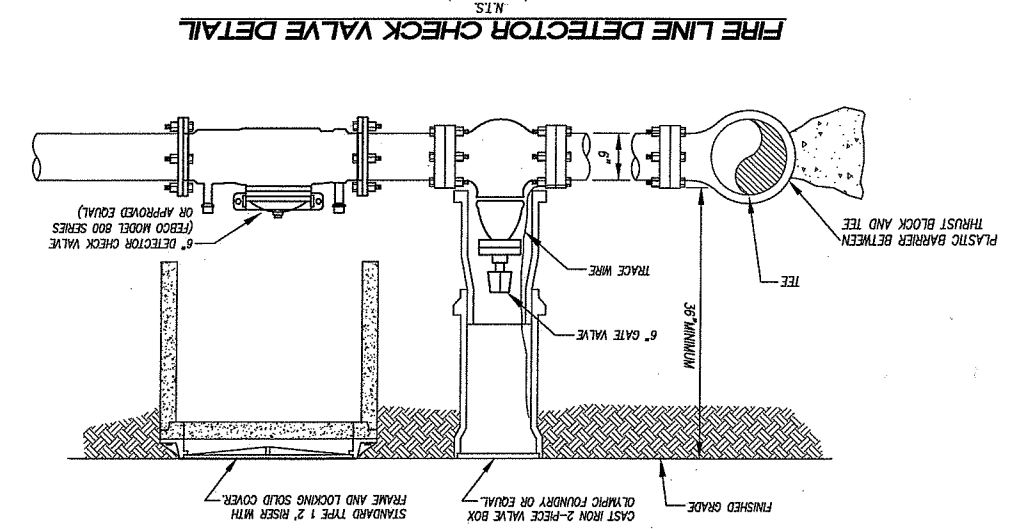


- INSTALLATION NOTES:** (REVISED 2013) N.T.S.
- SAMPLING STATIONS SHALL BE 3" BURY, WITH A 1" RIP INLET.
  - AND A (1" HOSE OR UNTHREADED) NOZZLE.
  - NONREMOVABLE ALUMINUM-CAST HOUSING.
  - ALL STATIONS SHALL BE ENCLOSED IN A LOCKABLE 4"x4" CONCRETE SLAB WITH SURROUNDING AREA WITH NO MORE THAN A 1" GAP AT THE OPERATION, AND THE WATER WILL FLOW IN AN ALL BRASS BASE OF STATION AND SLAB.
  - WHEN OPERED, THE STATION SHALL REQUIRE NO KEY FOR WATERWAY.
  - ALL WORKING PARTS WILL ALSO BE OF BRASS AND BE REMOVABLE FROM ABOVE GROUND WITH NO DRAG, EXCEPT PIPING SHALL BE GALVANIZED STEEL (BRASS PIPE ALSO AVAILABLE).
  - A COPPER VENT TUBE WILL ENABLE EACH STATION TO BE TO MINIMIZE BACTERIA GROWTH.

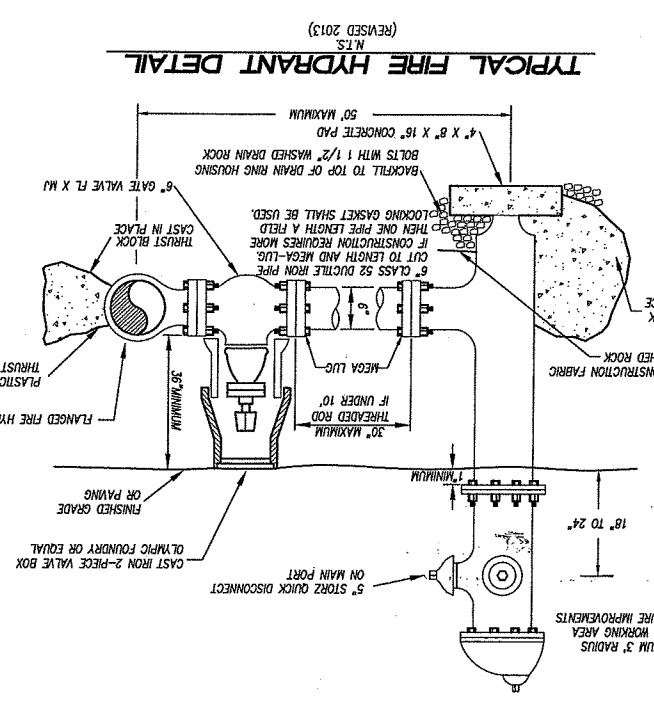


- BACK FILL MATERIAL:** (REVISED 2013) N.T.S.
- NOTE: SEE INSTALLATION NOTES IN SPECIFICATION BOOK.
- 1" CORPORATION STOP (FORM F-800)  
 1" QUESTORP (FORM B11-333W)  
 1" MPT x 1" FPT  
 GALVANIZED 1" ELBOW  
 #14 COPPER TRACE WIRE  
 1 1/2" DRAIN  
 ROCK  
 18" x 24" VALVE BOX AND RISER  
 692-3200 VALVE RISER SET  
 METER BOX EQUIPMENT  
 3" BURY DEPTH  
 GALVANIZED STEEL STANDPIPE  
 4" CRUSHED ROCK  
 4" x 4" x 4" CONCRETE BASE  
 GROUND LINE  
 LD 926-C STEEL  
 NO MORE THAN 1" GAP  
 ALUMINUM BASE  
 ALUMINUM HOUSING  
 SCOURER (KUPFER MFG.)  
 SAMPLING STATION  
 OR APPROVED EQUAL



- 36" MINIMUM  
 FINISHED GRADE  
 CAST IRON 2-PIECE VALVE BOX  
 OLYMPIC FOUNDRY OR EQUAL  
 STANDARD TYPE 1 1/2" RISER WITH FRAME AND LOCKING SOLID COVER

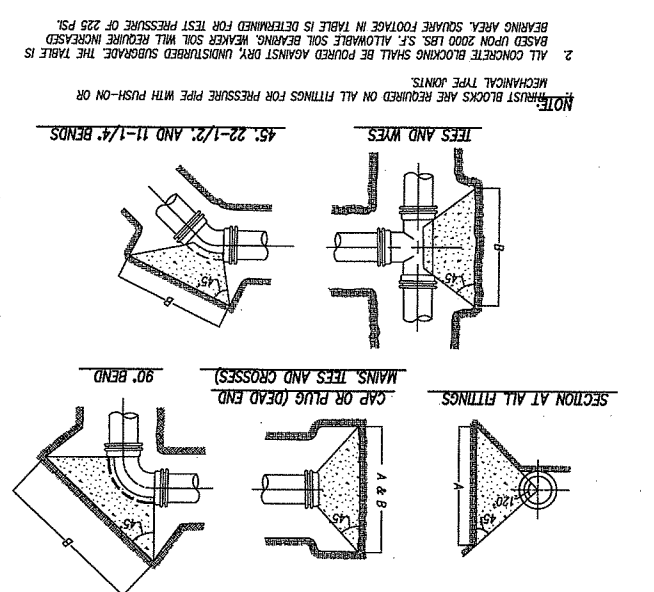
- ACCEPTABLE HYDRANTS:** (REVISED 2013) N.T.S.
- MULTIER SUPER CENTURION 250'
  - CLOW 'METALLON'
  - MAH 929 'RELANT'
  - WATERS 'PACER MODEL'
  - ANY



**THRUST BLOCK DETAIL** (REVISED 2013) N.T.S.

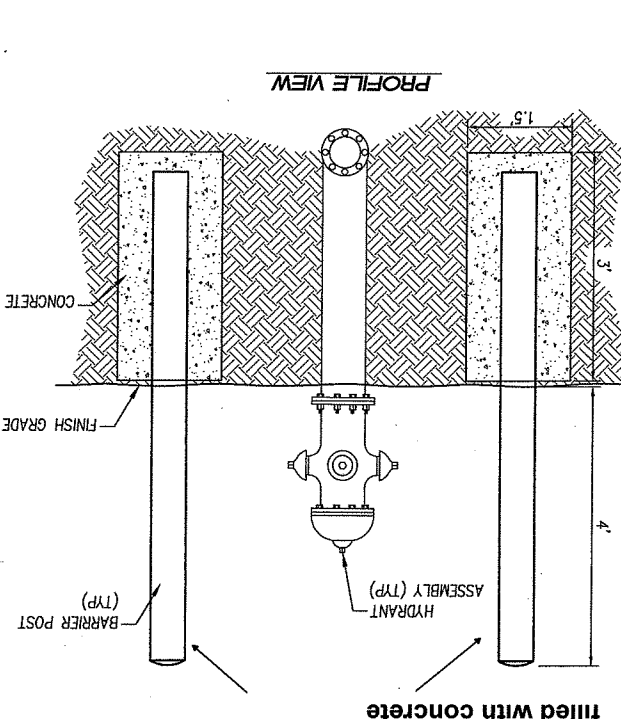
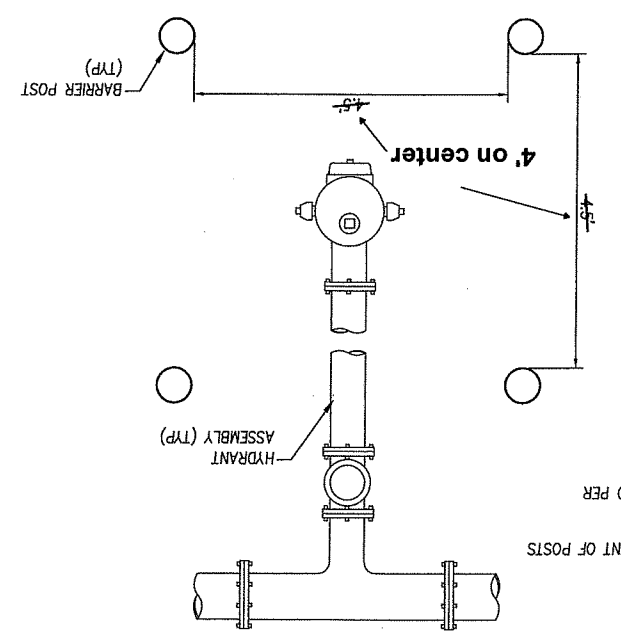
PIPE CAP PLUG (SEE NOTE 2)	PIPE SIZE OR TEE BEND	PIPE CAP PLUG (SEE NOTE 2)	PIPE SIZE OR TEE BEND	PIPE CAP PLUG (SEE NOTE 2)	PIPE SIZE OR TEE BEND	PIPE CAP PLUG (SEE NOTE 2)	PIPE SIZE OR TEE BEND
16"	27.0	38.0	20.5	10.5	5.5	14"	21.0
14"	21.0	29.5	16.0	8.5	4.5	12"	15.5
12"	15.5	22.0	12.0	6.0	3.5	10"	11.0
10"	11.0	15.5	8.5	4.5	2.5	8"	7.5
8"	7.5	10.5	6.0	3.0	1.5	6"	4.5
6"	4.5	6.0	2.0	1.0	0.5	4"	2.0
4"	2.0	2.0	1.0	0.5	0.25	3"	1.0
3"	1.0	1.0	0.5	0.25	0.125	2"	0.5

A x B = BEARING AREA REQ'D IN SQ. FT. (SEE NOTE 2)  
 22-1/2" AND 11-1/4" BENDS



- NOTE: THRUST BLOCKS ARE REQUIRED ON ALL FITTINGS FOR PRESSURE PIPE WITH PUSH-ON OR MECHANICAL TYPED JOINTS.
2. ALL CONCRETE BLOCKING SHALL BE POURED AGAINST DRY, UNDISTURBED SURFACE. THE TABLE IS BASED UPON 2000 LBS. S.F.; ALLOWABLE SOIL BEARING. WEAKER SOIL WILL REQUIRE INCREASED BEARING AREA. SQUARE FOOTAGE IN TABLE IS DETERMINED FOR TEST PRESSURE OF 225 PSI.

**HYDRANT BOLLARD DETAIL** (REVISED 2013) N.T.S.



- CONSTRUCTION NOTES:**
- QUANTITY & PLACEMENT OF POSTS
  - POSTS TO BE PAINTED PER SPECIFICATION.
  - POSTS TO BE PAINTED PER SPECIFICATION.
- Posts shall be steel pipe, minimum 4-in diameter filled with concrete

**RAINIER VIEW WATER COMPANY**  
 A PORTION OF SEC. 33, TWP. 19 N., RGE 4 E., WM.  
 PIERCE COUNTY, WASHINGTON  
 DESIGN APPROVAL, DATE 2-24-16  
 RAINIER VIEW WATER COMPANY



**RAINIER VIEW WATER COMPANY**  
 SILVER CREEK APARTMENTS  
 WATER MAIN EXTENSION  
 NOTES AND DETAILS

**Apex Engineering 3**  
 2801 South 35th, Suite 200  
 Tacoma, Washington 98409-7479  
 (253) 475-4154 FAX (253) 475-0599

**RAINIER VIEW WATER COMPANY**  
 P.O. BOX 44427  
 TACOMA, WA 98448-0427  
 ATTN: MR. BOB BLACKMAN (253) 837-6634

**PROJECT MANAGER**  
 KIM A SAVAGE PE

**DESIGN** RB  
**DRAWN** RB  
**CHECKED** KAB  
**SCALE** AS NOTED  
**DATE** 11-09-15  
**FILE NO.** 32716WAKR000  
**FILE NO.** 32716  
**APEX ENGINEERING PLLC 2015**

REV NO	REVISION DESCRIPTION	DATE BY