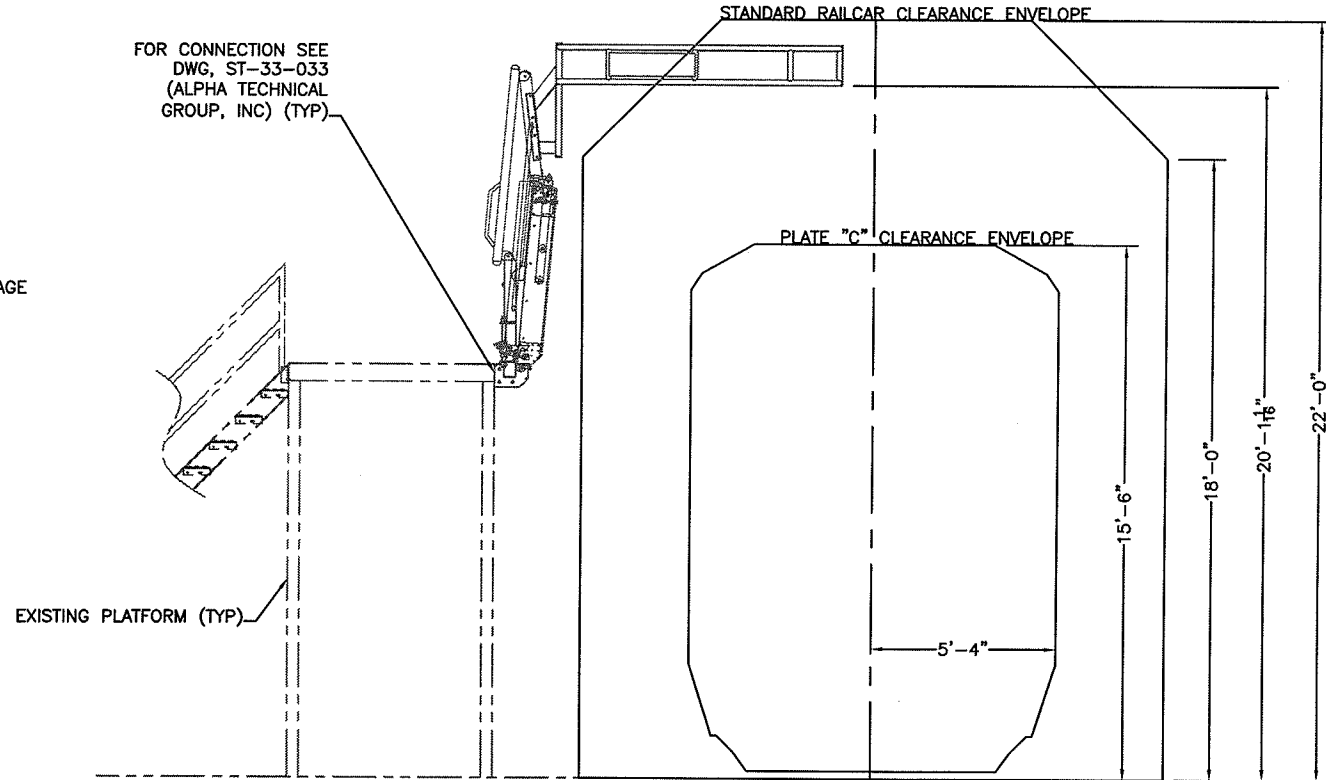
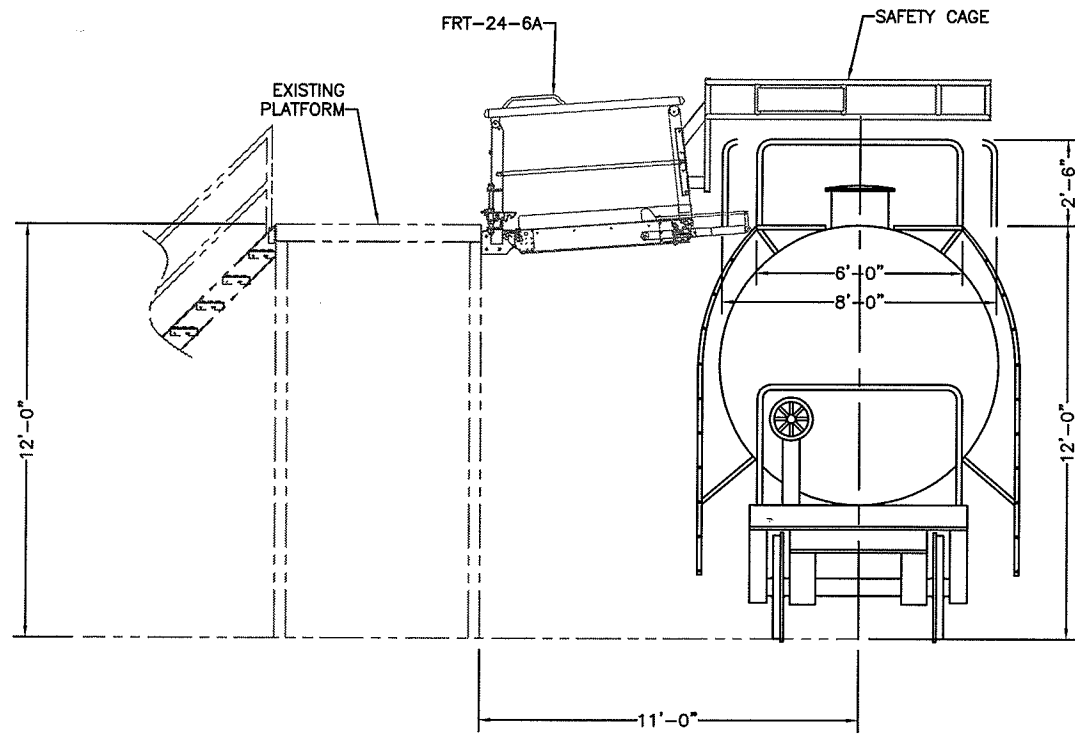


EXISTING PLATFORM
SEE ALPHA TECHNICAL
GROUP, INC. DRAWINGS
07-100-ST-031
THROUGH 033 (TYP)

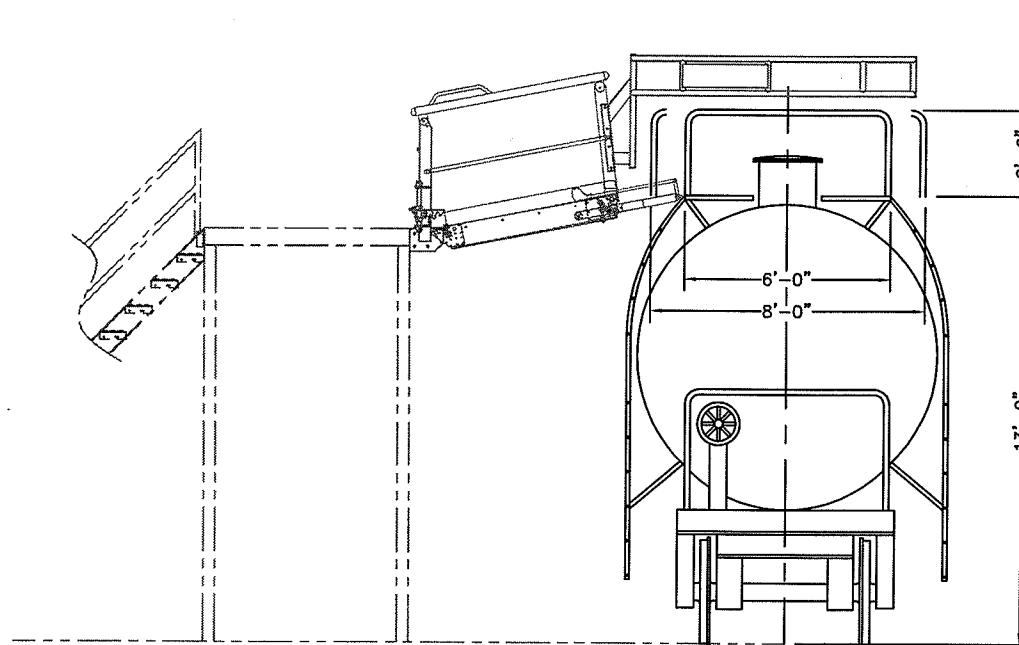
PLAN VIEW
GANGWAY AT HORIZONTAL



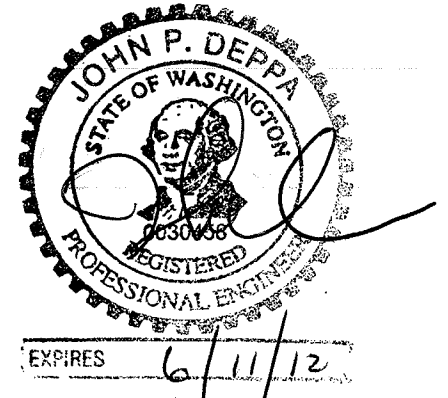
END ELEVATION
GANGWAY IN STORED POSITION




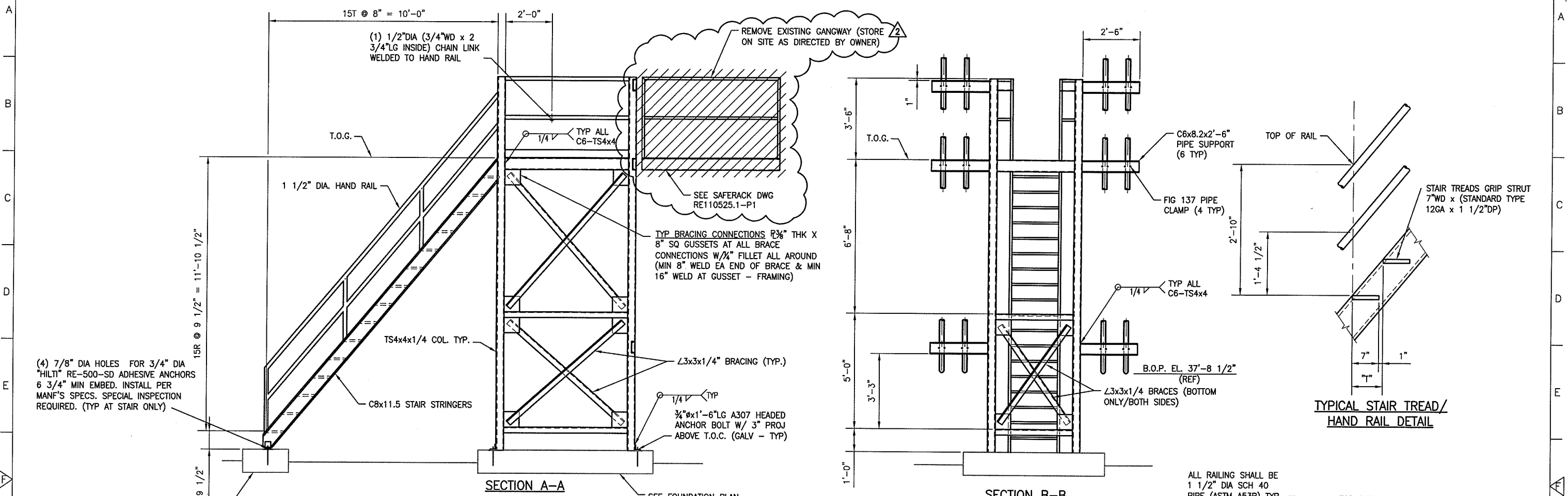
END ELEVATION
GANGWAY IN WORKING POSITION



END ELEVATION
GANGWAY IN WORKING POSITION



#	GENERAL REVISION	DATE	BY
1	GENERAL REVISION	06/07/11	CWP
#	DESCRIPTION	DATE	BY
CUSTOMER INFORMATION: KEYERA		ALL INFORMATION CONTAINED HEREIN IS CONFIDENTIAL AND PROPRIETARY AND MAY NOT BE DISCLOSED IN ANY FORM WITHOUT PRIOR WRITTEN CONSENT OF SAFERACK LOADING RACK TECHNOLOGIES	
DRAWN: CT 5-25-11		 SafeRack LOADING RACK TECHNOLOGIES	
CHECK: CT 5-25-11			
APVL: RE 5-25-11			
HOME OFFICE: 730 ELECTRIC DRIVE, SUMTER, SC 29153			
DESCRIPTION: GENERAL ARRANGEMENT RAILCAR ACCESS/FALL PREVENTION			
DWG#	RE110525.1-P1	SHEET: 1 OF 1	REV: 1
P.O.#	SCALE: 3/8" = 1'-0"		SIZE: D

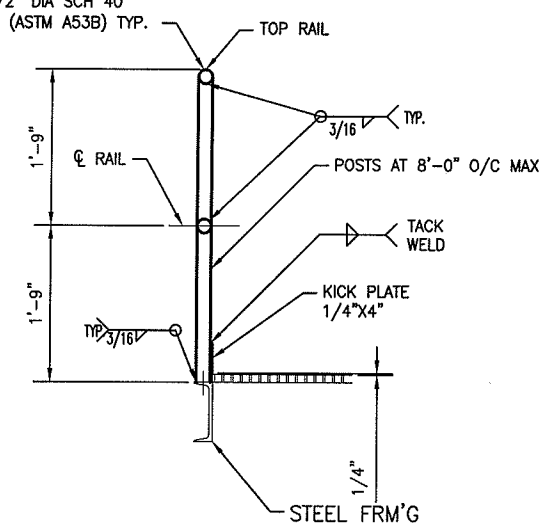


(4) 7/8" DIA HOLES FOR 3/4" DIA "HILTI" RE-500-SD ADHESIVE ANCHORS 6 3/4" MIN EMBED. INSTALL PER MANF'S SPECS. SPECIAL INSPECTION REQUIRED. (TYP AT STAIR ONLY)

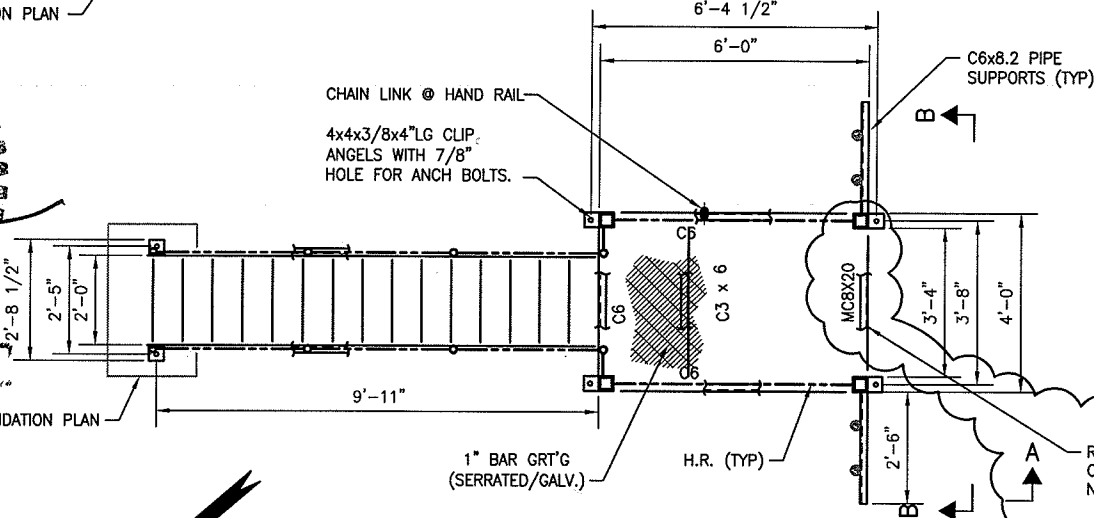
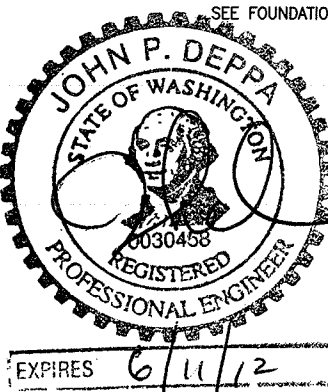
TYP BRACING CONNECTIONS 3/8" THK X 8" SQ GUSSETS AT ALL BRACE CONNECTIONS W/1/4" FILLET ALL AROUND (MIN 8" WELD EA END OF BRACE & MIN 16" WELD AT GUSSET - FRAMING)

ALL RAILING SHALL BE 1 1/2" DIA SCH 40 PIPE (ASTM A53B) TYP.

TYPICAL STAIR TREAD/HAND RAIL DETAIL



NOTE:
TOWER #5 SHOWN IS EXISTING AND WILL BE RELOCATED TO NEW SITE BY OWNER. CONTRACTOR SHALL FABRICATE (3) NEW TOWERS AS SHOWN AND INSTALL ALL (4) TOWERS



REFERENCE DRAWINGS	
DWG. NO.	TITLE
N/A	

NO.	DATE	REVISIONS	DWN BY	CHK'D BY	APPR BY
2	06/07/11	SAFERACK GANGWAY MODIFICATIONS	CWP	JPD	JPD
1	02/16/11	RECORD DRAWING	KLD	JPD	JPD
0	10/12/10	ISSUE FOR CONSTRUCTION	KLD	JPD	JPD

PERMIT

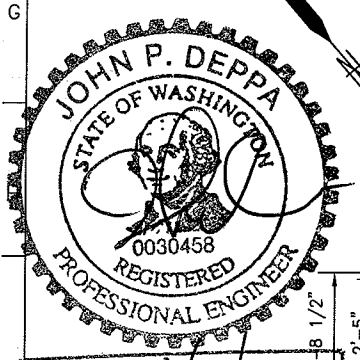
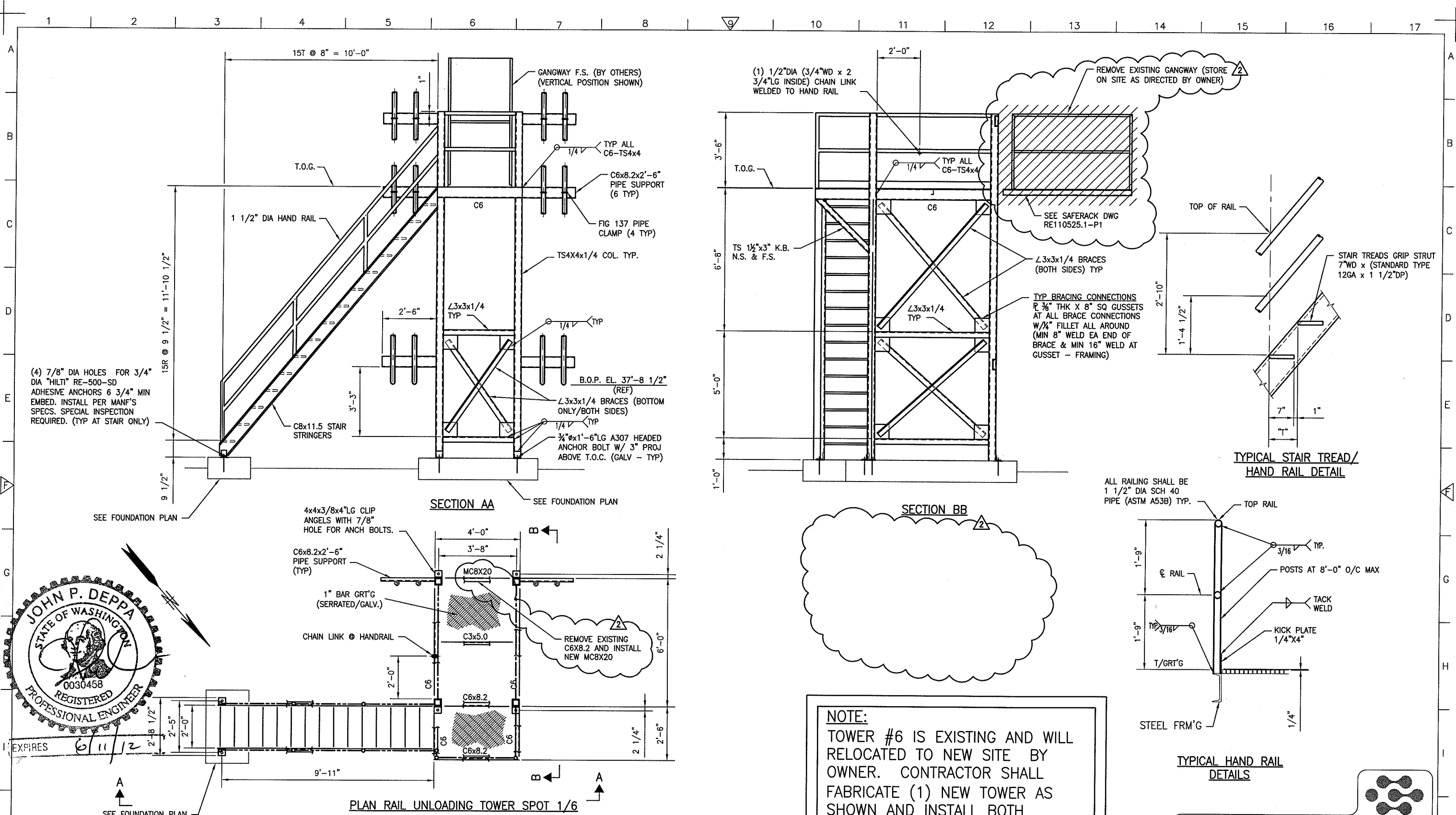
SEAL

RELEASED ONLY FOR				DATE: 07/20/10
CHECKING	SECT LEADER	PROJ. ENG.	DATE	SCALE: 1/2" = 1'-0"
				DESIGN:
				DRAWN: CWP
				CHKD:
				APP.:

KEYERA
ALPHA TECHNICAL GROUP, INC.
2929 NW 28th AVE, PORTLAND, OR 97210 Tel: (503) 227-3317 Fax: (503) 227-3244

VANCOUVER WA BULK LPG TERMINAL
RAIL UNLOADING TOWER 2/3/4/5
PLAN AND DETAILS

CAD NO. 07-100-ST-33-031-1 SIZE DWG. NO. D 07-100-ST-33-031 REV. 2
CONTRACTOR DWG. NO.



EXPIRES 6/11/12

NOTE:
SPOT #1 SHOWN (SPOT #6 SIM EXCEPT OPP. HAND)

NOTE:
TOWER #6 IS EXISTING AND WILL RELOCATED TO NEW SITE BY OWNER. CONTRACTOR SHALL FABRICATE (1) NEW TOWER AS SHOWN AND INSTALL BOTH TOWERS

REFERENCE DRAWINGS	
DWG. NO.	TITLE
N/A	

NO.	DATE	REVISIONS	DWN BY	CHK'D BY	APPR BY
2	06/07/11	SAFERACK GANWAY MODIFICATIONS	CWP	JPD	JPD
1	02/18/11	RECORD DRAWING	KLD	JPD	JPD
0	10/12/10	ISSUE FOR CONSTRUCTION	KLD	JPD	JPD

PERMIT

SEAL

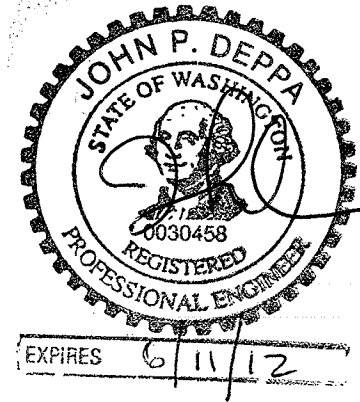
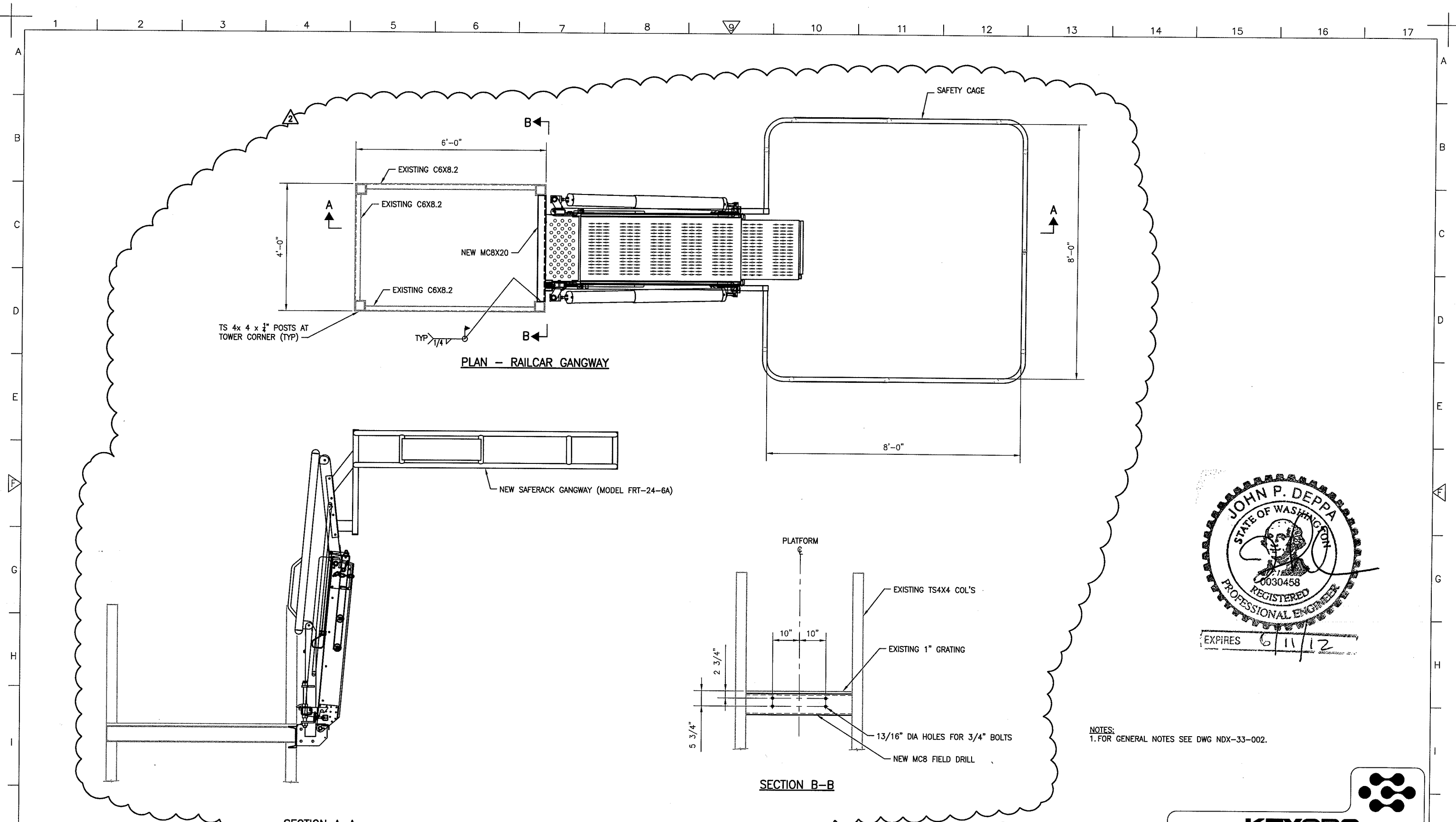
RELEASED ONLY FOR				DATE: 02/18/10
CHECKING	SECT. LEADER	PROJ. ENG.	DATE	SCALE: 1/2"=1'-0"
PRELM.				DESIGN:
BIDDING				DRAWN: CWP
FABRIC.				CHKD:
CONSTR.				APP.:

KEYERA
ALPHA TECHNICAL GROUP, INC.
2929 NW 28th AVE, PORTLAND, OR 97210 Tel: (503)227-3317/Fax: (503)227-3244

VANCOUVER WA BULK LPG TERMINAL
RAIL UNLOADING TOWER 1/6
PLAN AND DETAILS

CAD NO. 07-100-ST-33-032-1
CONTRACTOR DWG NO.

SIZE DWG. NO. D 07-100-ST-33-032
REV. 2



NOTES:
1. FOR GENERAL NOTES SEE DWG NDX-33-002.

REFERENCE DRAWINGS	
DWG. NO.	TITLE
N/A	

NO.	DATE	REVISIONS	DWN BY	CHK'D BY	APPR BY
2	06/07/11	SAFERACK GANGWAY MODIFICATIONS	CWP	JPD	JPD
1	02/18/11	RECORD DRAWING	KLD	JPD	JPD
0	10/12/10	ISSUE FOR CONSTRUCTION	KLD	JPD	JPD

PERMIT

SEAL

RELEASED ONLY FOR			DATE: 08/24/10
SECT LEADER	PROJ. ENG.	DATE	SCALE: 3/4"=1'-0"
CHECKING			DESIGN:
PRELM.			DRAWN: KLD
BIDDING			CHKD:
FABRIC.			APP.:
CONSTR.			

KEYERA
ALPHA TECHNICAL GROUP, INC.
2929 NW 29th AVE, PORTLAND, OR. 97210 Tel: (503) 227-3317 / Fax: (503) 227-3244

VANCOUVER WA BULK LPG TERMINAL
RAIL UNLOADING GANGWAY
PLAN AND DETAILS

CAD NO. 07-100-ST-33-033-1	SIZE DWG. NO. D 07-100-ST-33-033	REV. 2
-------------------------------	-------------------------------------	-----------