

Exh. RAV-5
Docket UE-19____
Witness: Rick A. Vail

**BEFORE THE WASHINGTON
UTILITIES AND TRANSPORTATION COMMISSION**

WASHINGTON UTILITIES AND
TRANSPORTATION COMMISSION,

Complainant,

v.

PACIFICORP dba
PACIFIC POWER & LIGHT COMPANY

Respondent.

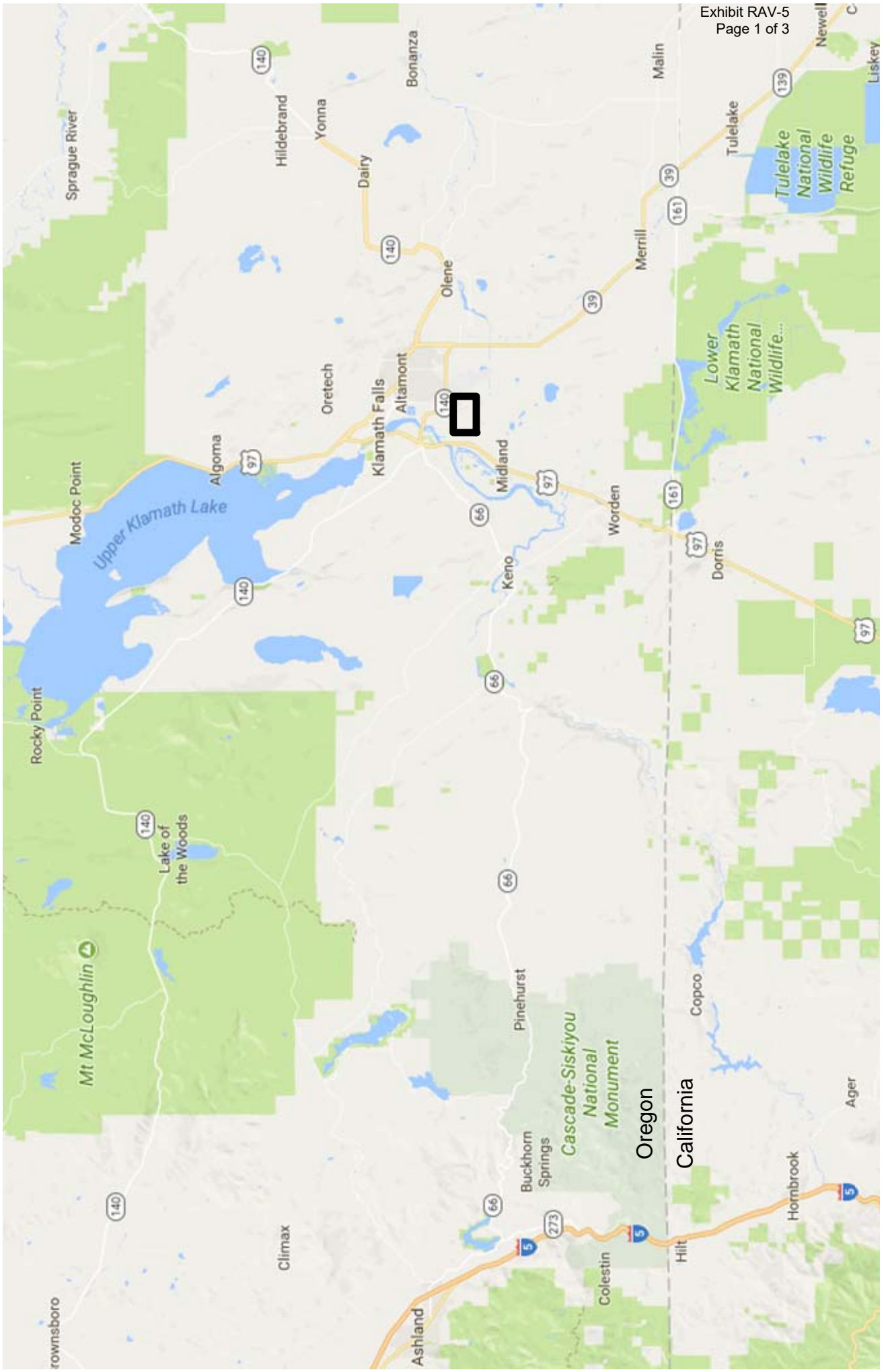
Docket UE-19____

**PACIFICORP
EXHIBIT OF RICK A. VAIL**

Snow Goose Project

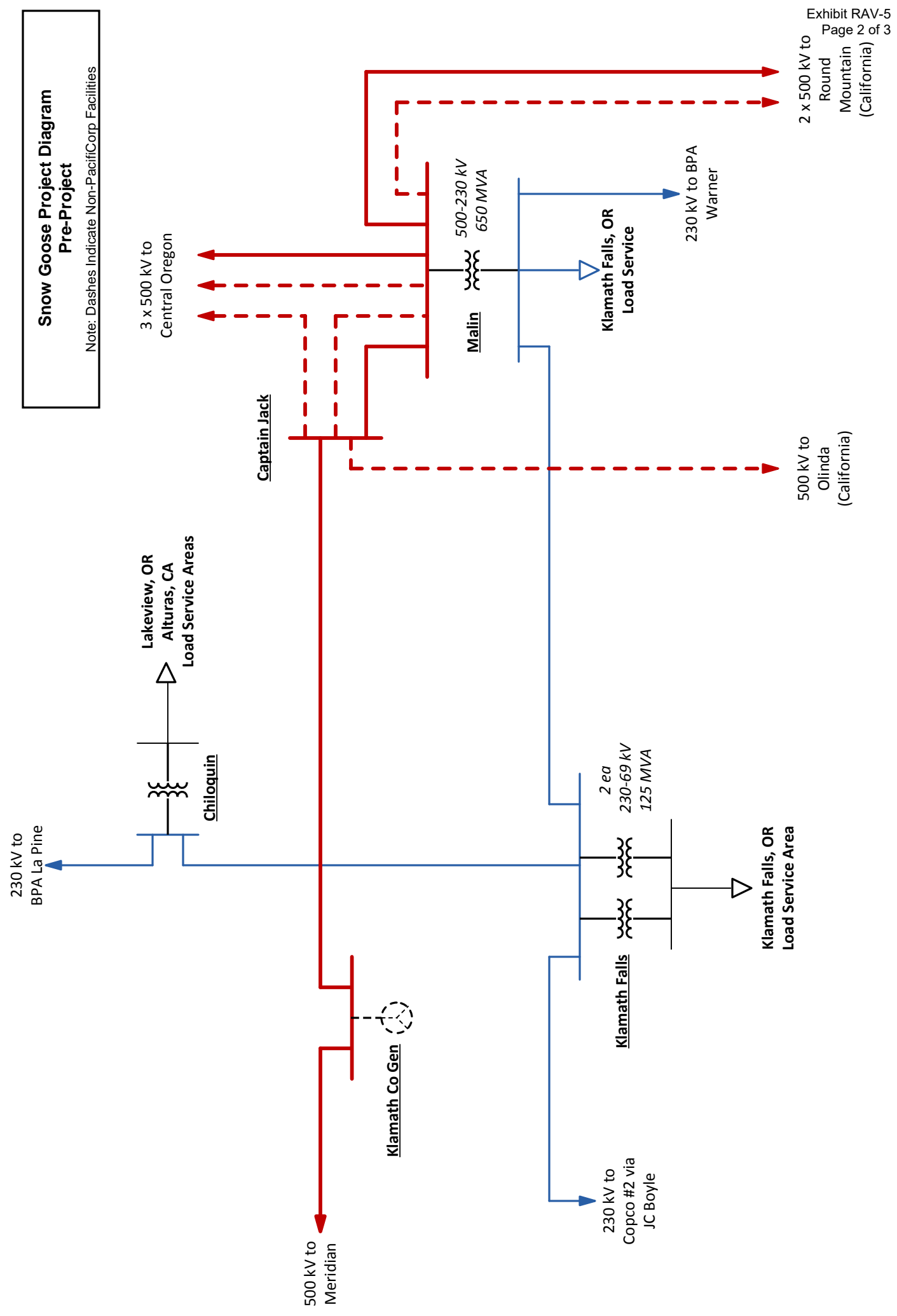
December 2019

Snow Goose 500-230 KV New Substation Project Area



Snow Goose Project Diagram Pre-Project

Note: Dashes Indicate Non-PacifiCorp Facilities



Snow Goose Project Diagram Post-Project

Note: Dashes indicate Non-PacifiCorp Facilities

