

Exh. RAV-4  
Docket UE-19 \_\_\_\_\_  
Witness: Rick A. Vail

**BEFORE THE WASHINGTON  
UTILITIES AND TRANSPORTATION COMMISSION**

WASHINGTON UTILITIES AND  
TRANSPORTATION COMMISSION,

Complainant,

v.

PACIFICORP dba  
PACIFIC POWER & LIGHT COMPANY

Respondent.

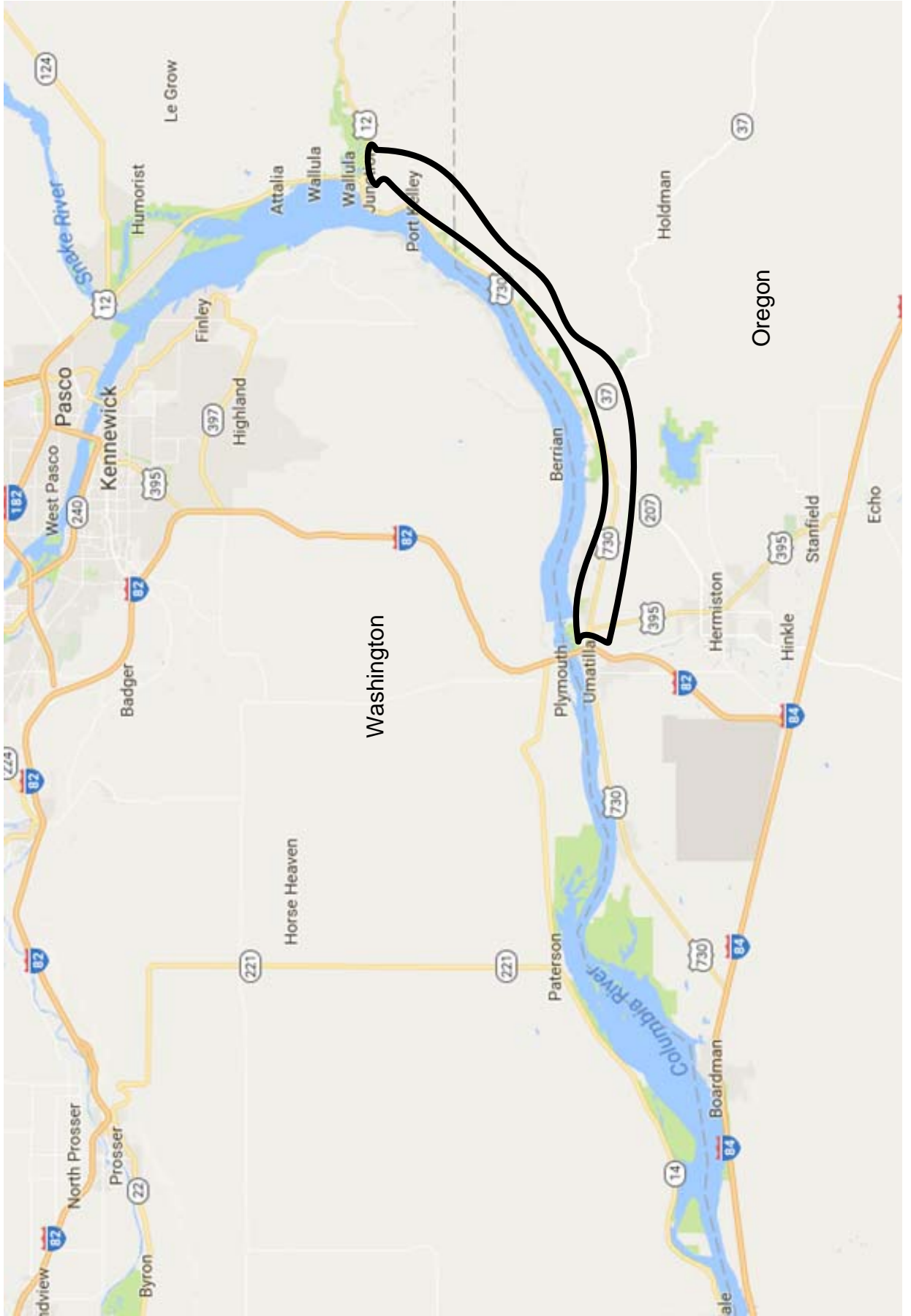
Docket UE-19 \_\_\_\_\_

**PACIFICORP  
EXHIBIT OF RICK A. VAIL**

**Wallula-McNary Project**

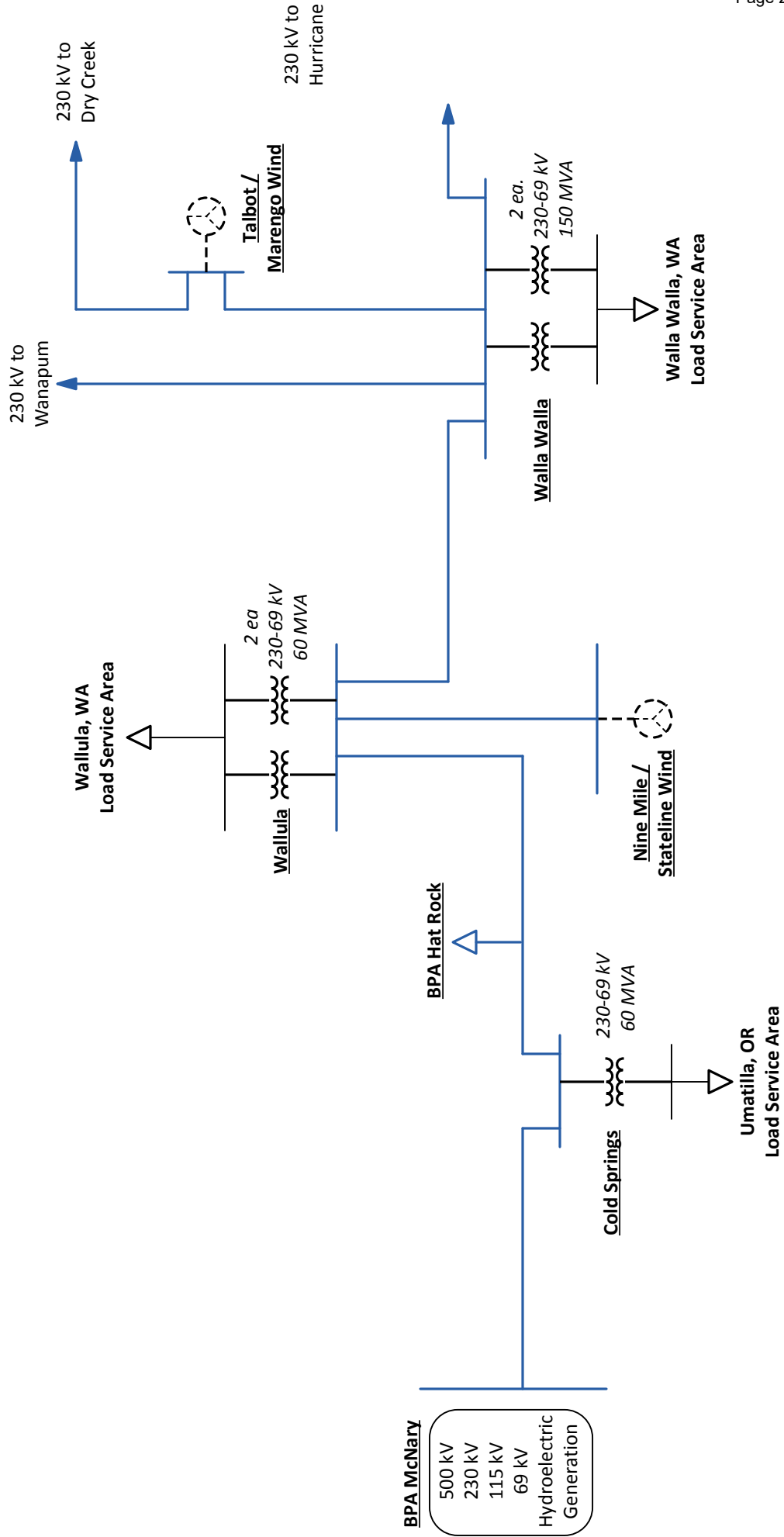
**December 2019**

# Wallula to McNary 230 KV New Transmission Line Project Area



# Walla-McNary #2 Project Diagram Pre-Project

Note: Dashes Indicate Non-PacifiCorp Facilities



# Walla-McNary #2 Project Diagram Post-Project

Note: Dashes indicate Non-PacificCorp Facilities

