

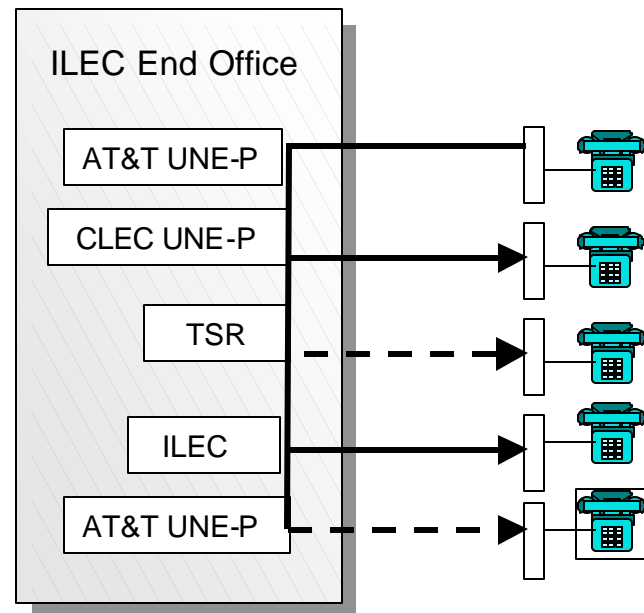
Intercarrier Compensation UNE-P Combination Call Flows/Billing Diagrams ILEC - AT&T

Call flows are for UNE-P POTs
Call flows do not depict every potential call scenario
Call flows do not include the recurring and non recurring rates for UNE-P

Figure 1

AT&T UNE-P Originating and ILEC or CLEC UNE-P Terminating Local-Intraswitch Calls

Record required: ILEC to AT&T: Category 10 unrated exchange message record



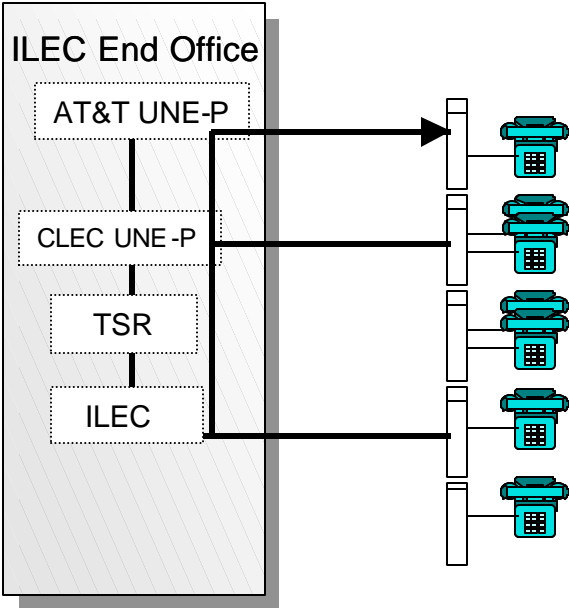
Billing

Qwest bills AT&T Originating Local Switching, MOU
AT&T does not bill Qwest

Figure 2

ILEC or CLEC UNE-P Originating and AT&T UNE-P Terminating Local-Intraswitch Calls

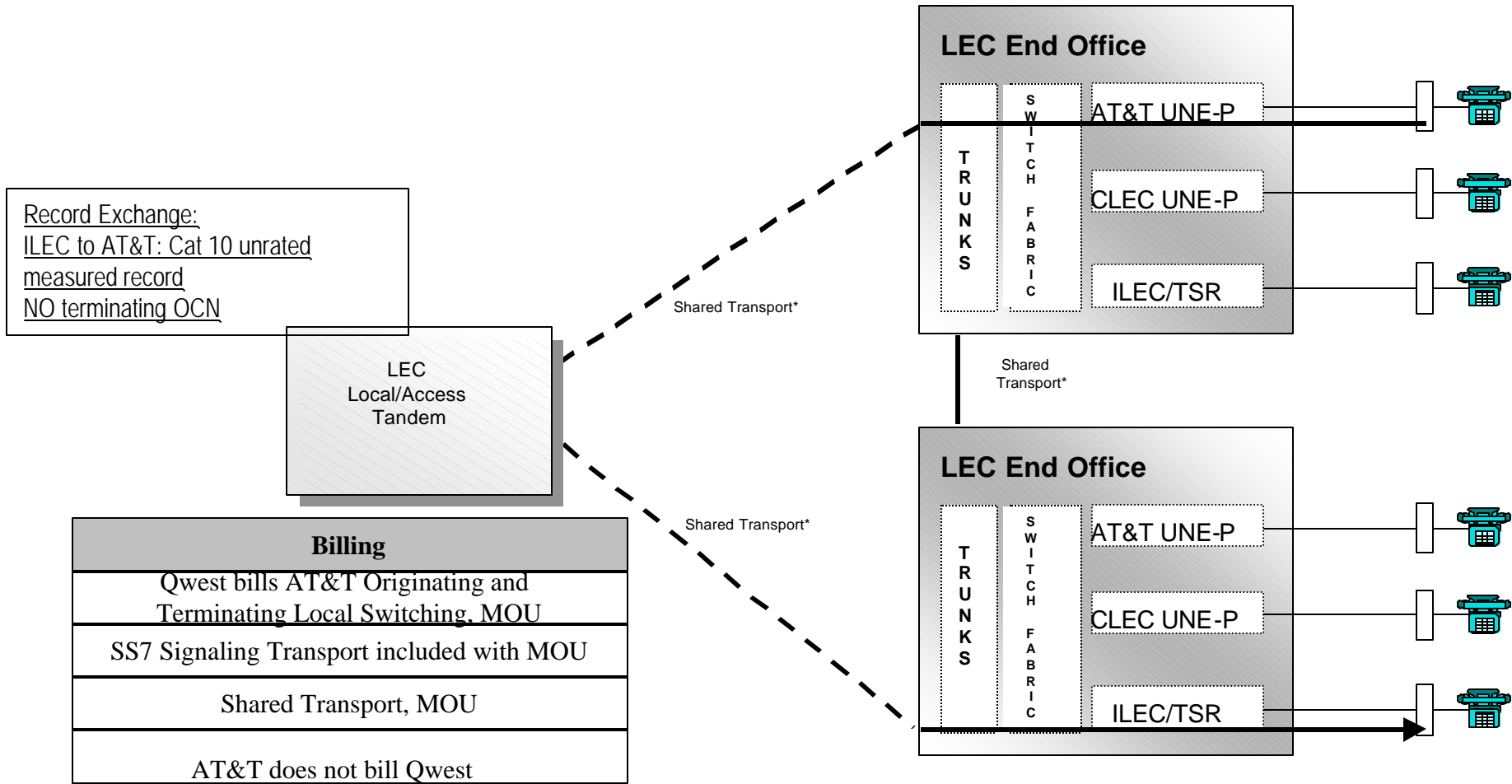
Record Exchange: No Records Required



Billing

AT&T does not bill Qwest
Qwest does not bill AT&T

Figure 3 AT&T UNE-P Originating and ILEC Terminating Local-Interswitch Calls



*For illustrative purposes this call flow shows both the possibility of routing the call through the tandem and the alternative possibility of direct routing from one end office to another.

Figure 4

ILEC Originating and AT&T UNE-P Terminating Local Interswitch Calls

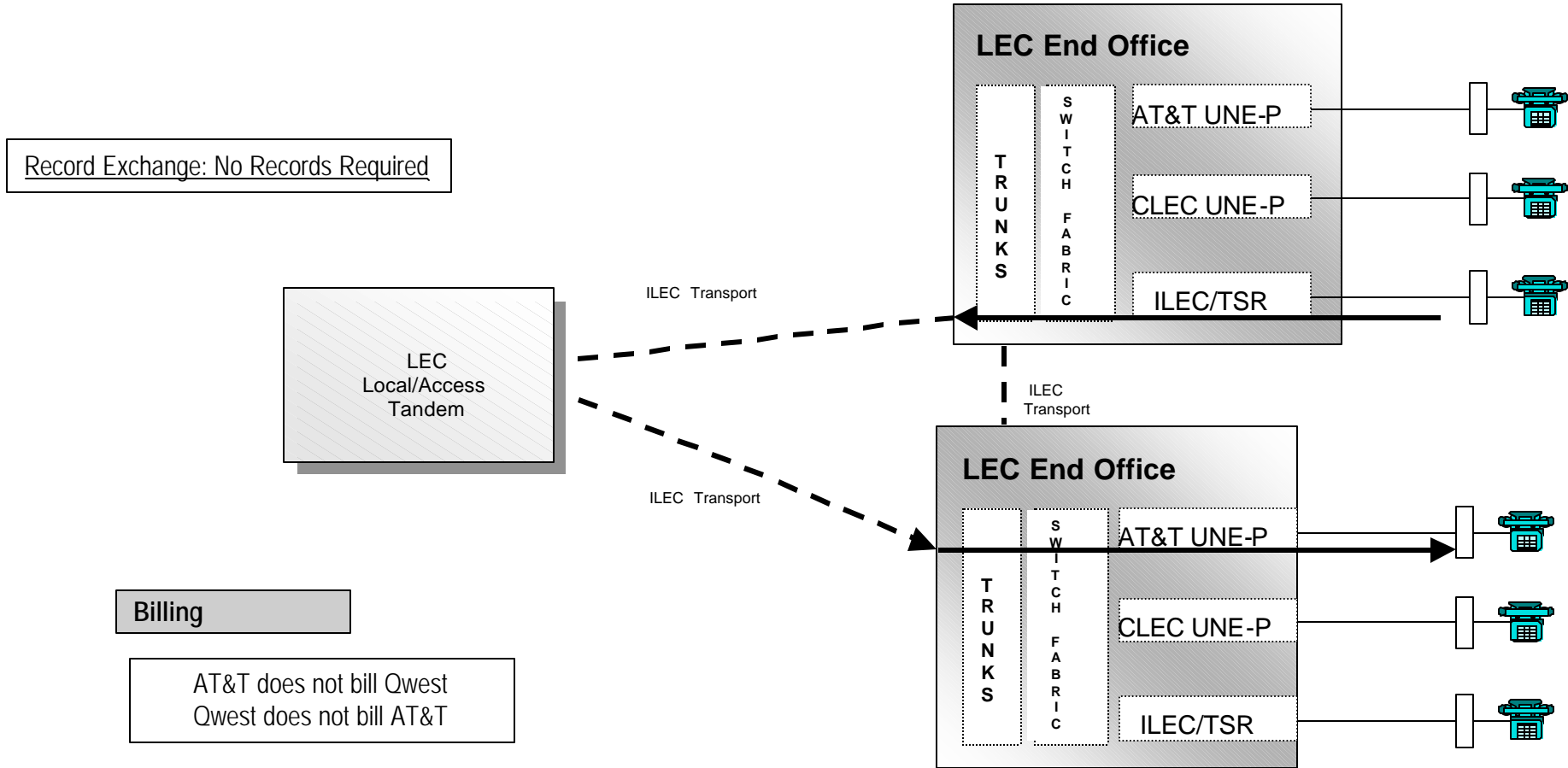
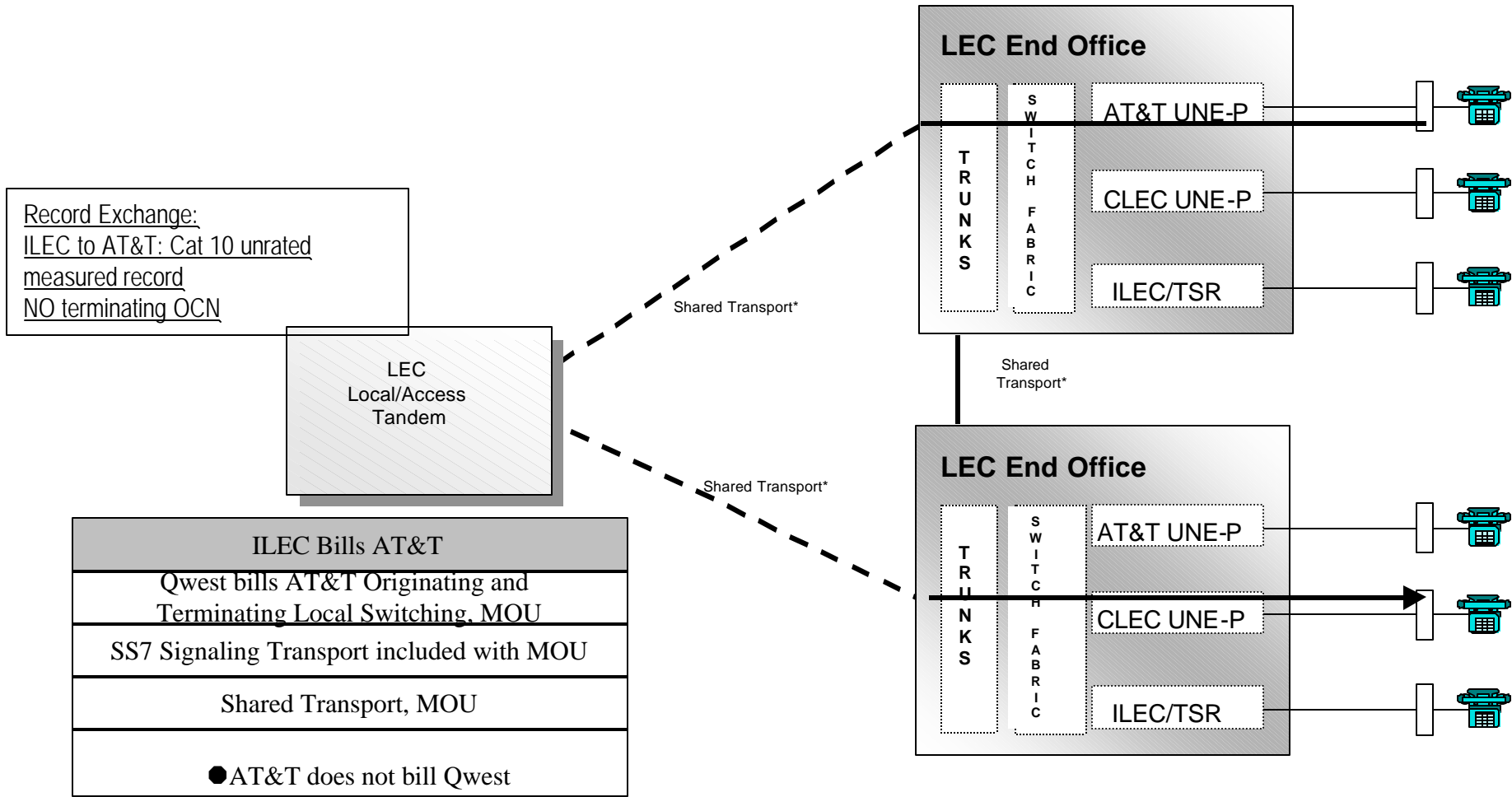


Figure 5

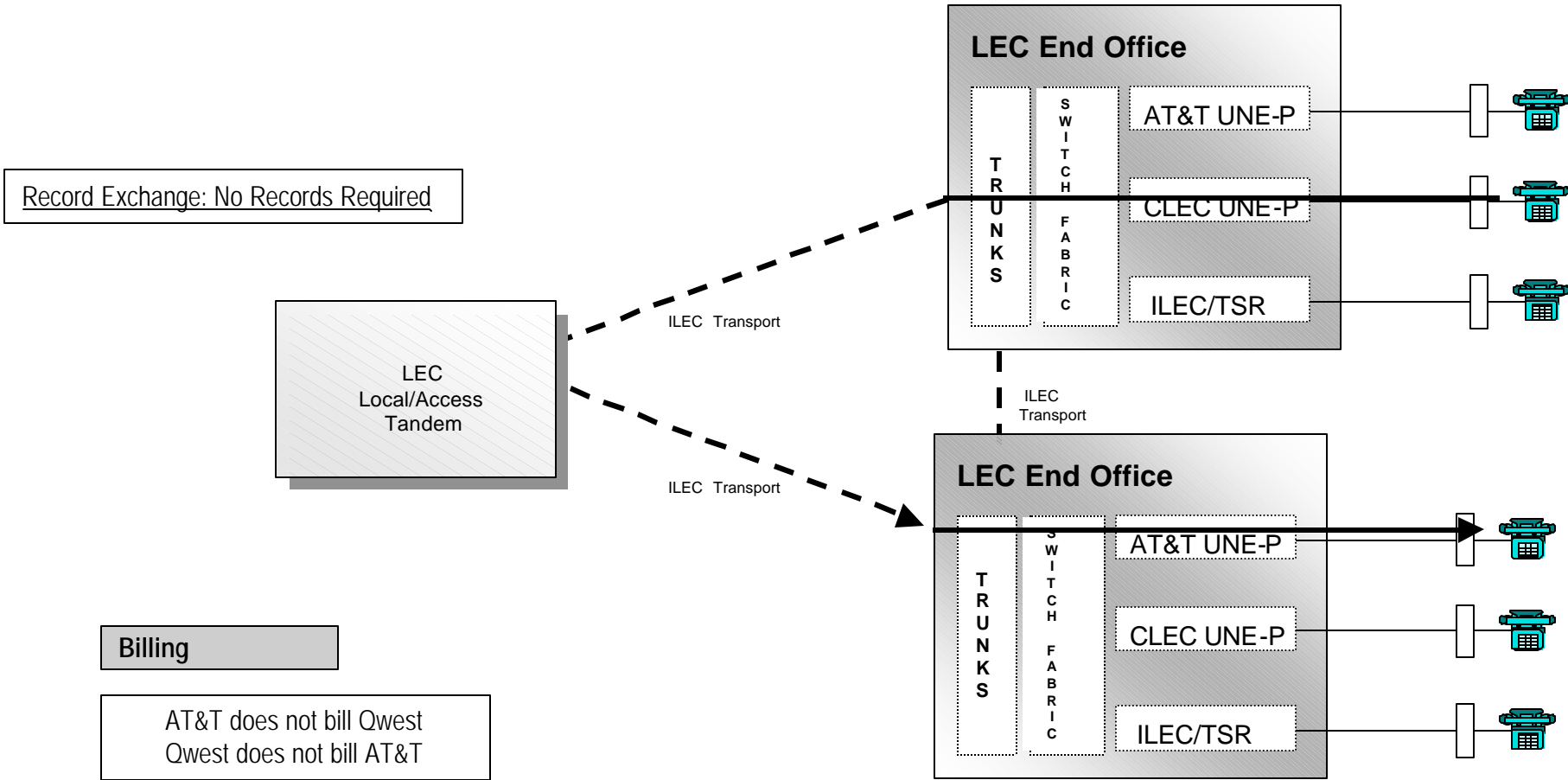
AT&T UNE-P Originating and CLEC UNE-P Terminating Local-Interswitch



For illustrative purposes, this call flow shows both the possibility of routing the call through the tandem and the alternative possibility of direct routing from one end office to another.

Figure 6

CLEC UNE-P Originating and AT&T UNE-P Terminating Local Interswitch Calls



Record Exchange: No Records Required

LEC
Local/Access
Tandem

ILEC Transport

ILEC Transport

LEC End Office

T
R
U
N
K
S

S
W
I
T
C
H

F
A
B
R
I
C

AT&T UNE-P

CLEC UNE-P

ILEC/TSR

ILEC
Transport

LEC End Office

T
R
U
N
K
S

S
W
I
T
C
H

F
A
B
R
I
C

AT&T UNE-P

CLEC UNE-P

ILEC/TSR

Billing

AT&T does not bill Qwest
Qwest does not bill AT&T

Figure 11 AT&T UNE-P Originating and 3rd Party (FB) Terminating Local-Inter-switch Calls

Record Exchange: ILEC to AT&T;
Category 10 exchange
measured record
NO terminating OCN

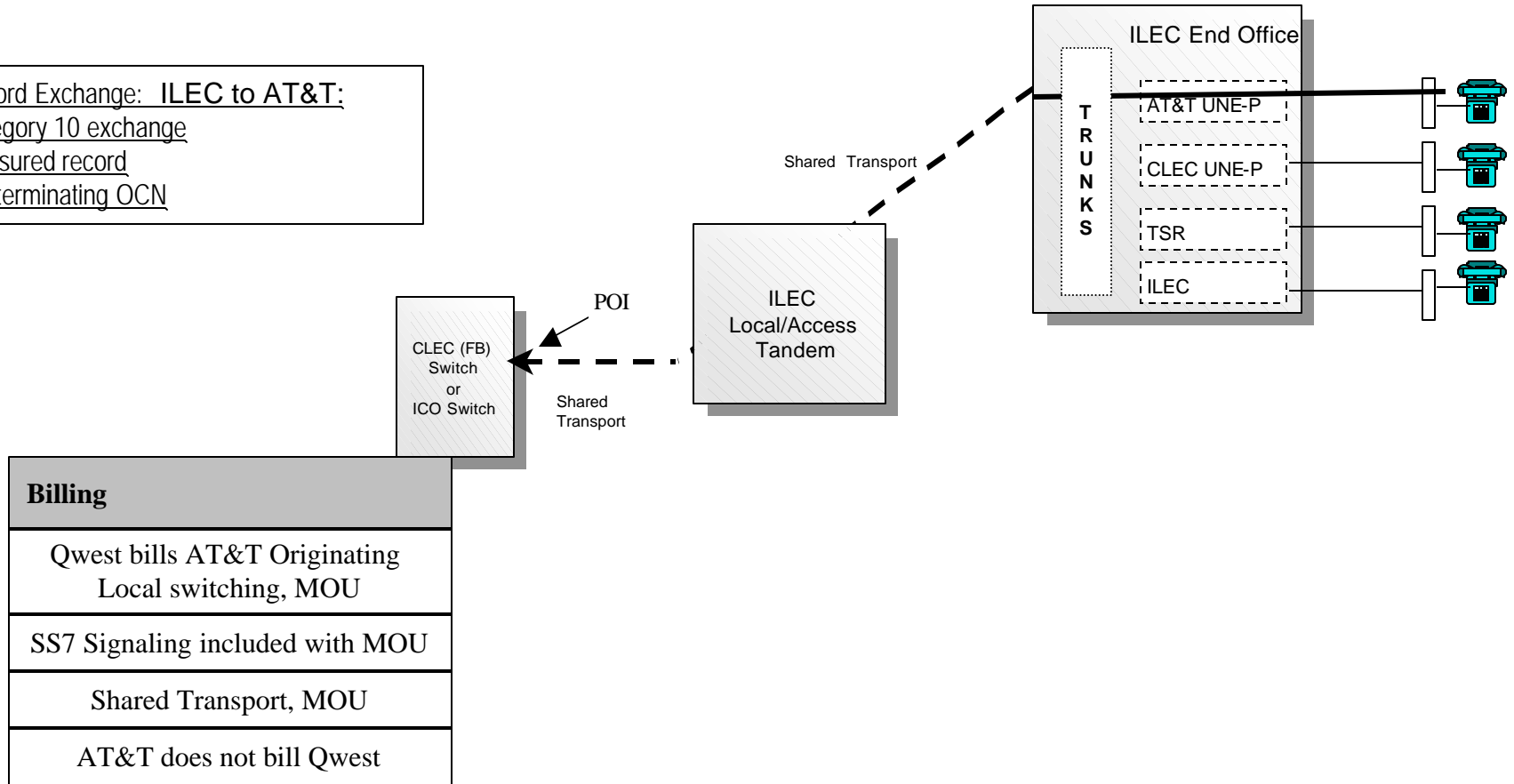
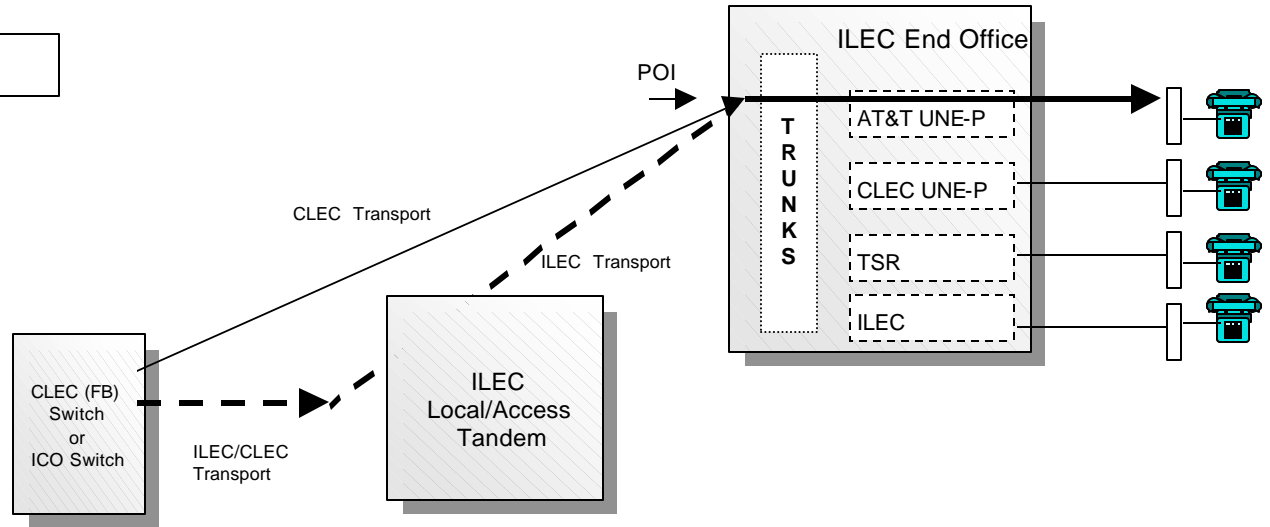


Figure 12

3rd Party (FB) Originating and AT&T UNE-P Terminating Local-Inter-switch Calls

Record Exchange: No Records Required



Billing

Qwest does not bill AT&T
AT&T does not bill Qwest