

**EXHIBIT NO. ___(RG-24)
DOCKET NO. UE-11___/UG-11___
2011 PSE GENERAL RATE CASE
WITNESS: ROGER GARRATT**

**BEFORE THE
WASHINGTON UTILITIES AND TRANSPORTATION COMMISSION**

**WASHINGTON UTILITIES AND
TRANSPORTATION COMMISSION,**

Complainant,

v.

PUGET SOUND ENERGY, INC.,

Respondent.

**Docket No. UE-11___
Docket No. UG-11___**

**TWENTY-THIRD EXHIBIT (NONCONFIDENTIAL) TO THE
PREFILED DIRECT TESTIMONY OF
ROGER GARRATT
ON BEHALF OF PUGET SOUND ENERGY, INC.**

JUNE 13, 2011



Department of Energy

Bonneville Power Administration
P.O. Box 61409
Vancouver, WA 98666-1409

TRANSMISSION SERVICES

May 13, 2010

In reply refer to: TSE/TPP-2

Mr. Paul Wiegand, Senior Vice-President
Power Generation
Puget Sound Energy, Inc.
10885 NE Fourth Street
Bellevue, WA 98004-5591

Dear Mr. Wiegand:

Enclosed for your records is an executed original of the Standard Large Generator
Interconnection Agreement No. 10TX-14570 between the Bonneville Power Administration and
Puget Sound Energy, Inc.

If you have any questions, please call me at (360) 619-6007.

Sincerely,

A handwritten signature in cursive script that reads "Angela DeClerck".

Angela DeClerck
Senior Transmission Account Executive
Transmission Sales

Enclosure

Contract No. 10TX-14570

STANDARD LARGE GENERATOR INTERCONNECTION AGREEMENT

executed by the
UNITED STATES OF AMERICA
DEPARTMENT OF ENERGY
acting by and through the
BONNEVILLE POWER ADMINISTRATION
and
PUGET SOUND ENERGY, INC.

Table of Contents

| | Page |
|--|-------------|
| Recitals | 1 |
| Article 1. Definitions..... | 1 |
| Article 2. Effective Date, Term and Termination | 10 |
| 2.1 Effective Date..... | 10 |
| 2.2 Term of Agreement..... | 10 |
| 2.3 Termination Procedures | 10 |
| 2.3.1 Written Notice..... | 10 |
| 2.3.2 Default..... | 10 |
| 2.4 Termination Costs | 10 |
| 2.5 Disconnection..... | 11 |
| 2.6 Survival..... | 11 |
| Article 3. Regulatory Filings..... | 11 |
| 3.1 Filing | 11 |
| Article 4. Scope of Service | 12 |
| 4.1 Interconnection Product Options | 12 |
| 4.1.1 Energy Resource Interconnection Service | 12 |
| 4.1.1.1 The Product | 12 |
| 4.1.1.2 Transmission Delivery Service Implications..... | 12 |
| 4.2 Provision of Service | 13 |
| 4.3 Performance Standards | 13 |
| 4.3.1 Compliance with WECC Reliability Criteria..... | 13 |
| 4.3.1.1 Compliance..... | 13 |
| 4.3.1.2 Payment of Sanctions | 13 |
| 4.3.1.3 WECC Remedy..... | 14 |
| 4.3.1.4 Termination | 14 |

| | | | |
|-------------------|---------|--|-----------|
| | 4.3.1.5 | Replacement of Terms | 14 |
| | 4.3.1.6 | Consent | 14 |
| | 4.3.1.7 | Definitions..... | 15 |
| 4.4 | | No Transmission Delivery Service | 15 |
| 4.5 | | Interconnection Customer Provided Services | 15 |
| Article 5. | | Interconnection Facilities Engineering, Procurement, and Construction | 15 |
| 5.1 | | Options..... | 15 |
| | 5.1.1 | Standard Option..... | 15 |
| | 5.1.2 | Alternate Option..... | 16 |
| | 5.1.3 | Option to Build | 16 |
| | 5.1.4 | Negotiated Option..... | 16 |
| 5.2 | | General Conditions Applicable to Option to Build..... | 17 |
| 5.3 | | Liquidated Damages | 18 |
| 5.4 | | Power System Stabilizers | 19 |
| 5.5 | | Equipment Procurement..... | 19 |
| 5.6 | | Construction Commencement..... | 19 |
| 5.7 | | Work Progress | 20 |
| 5.8 | | Information Exchange | 20 |
| 5.9 | | Limited Operation | 20 |
| 5.10 | | Interconnection Customer's Interconnection Facilities (ICIF) | 21 |
| | 5.10.1 | Interconnection Customer's Interconnection Facility Specifications..... | 21 |
| | 5.10.2 | Transmission Provider's Review | 21 |
| | 5.10.3 | ICIF Construction | 21 |
| 5.11 | | Transmission Provider's Interconnection Facilities Construction | 22 |
| 5.12 | | Access Rights..... | 22 |
| 5.13 | | Lands of Other Property Owners | 22 |
| 5.14 | | Permits..... | 23 |
| 5.15 | | Early Construction of Base Case Facilities..... | 23 |
| 5.16 | | Suspension | 23 |
| 5.17 | | (Intentionally Omitted) | 23 |
| 5.18 | | Tax Status..... | 24 |
| 5.19 | | Modification..... | 24 |
| | 5.19.1 | General..... | 24 |
| | 5.19.2 | Standards..... | 24 |
| | 5.19.3 | Modification Costs | 24 |
| Article 6. | | Testing and Inspection | 25 |
| 6.1 | | Pre-Commercial Operation Date Testing and Modifications | 25 |
| 6.2 | | Post-Commercial Operation Date Testing and Modifications..... | 25 |
| 6.3 | | Right to Observe Testing | 25 |
| 6.4 | | Right to Inspect..... | 25 |

| | | |
|--------------------|--|-----------|
| Article 7. | Metering | 25 |
| 7.1 | General..... | 25 |
| 7.2 | Check Meters | 26 |
| 7.3 | Standards | 26 |
| 7.4 | Testing of Metering Equipment..... | 26 |
| 7.5 | Metering Data..... | 26 |
| | | |
| Article 8. | Communications | 27 |
| 8.1 | Interconnection Customer Obligations | 27 |
| 8.2 | Remote Terminal Unit | 27 |
| 8.3 | No Annexation..... | 27 |
| | | |
| Article 9. | Operations..... | 27 |
| 9.1 | General..... | 27 |
| 9.2 | Control Area Notification | 28 |
| 9.3 | Transmission Provider Obligations..... | 28 |
| 9.4 | Interconnection Customer Obligations | 28 |
| 9.5 | Start-Up and Synchronization | 28 |
| 9.6 | Reactive Power | 28 |
| | 9.6.1 Power Factor Design Criteria | 28 |
| | 9.6.2 Voltage Schedules | 29 |
| | 9.6.2.1 Governors and Regulators..... | 29 |
| | 9.6.3 Payment for Reactive Power | 30 |
| 9.7 | Outages and Interruptions | 30 |
| | 9.7.1 Outages..... | 30 |
| | 9.7.1.1 Outage Authority and Coordination..... | 30 |
| | 9.7.1.2 Outage Schedules..... | 30 |
| | 9.7.1.3 Outage Restoration | 31 |
| | 9.7.2 Interruption of Service | 31 |
| | 9.7.3 Under-Frequency and Over-Frequency Conditions | 32 |
| | 9.7.4 System Protection and Other Control Requirements | 32 |
| | 9.7.4.1 System Protection Facilities | 32 |
| | 9.7.5 Requirements for Protection..... | 33 |
| | 9.7.6 Power Quality | 34 |
| 9.8 | Switching and Tagging Rules | 34 |
| 9.9 | Use of Interconnection Facilities by Third Parties..... | 34 |
| | 9.9.1 Purpose of Interconnection Facilities | 34 |
| | 9.9.2 Third-Party Users | 34 |
| 9.10 | Disturbance Analysis Data Exchange | 34 |
| | | |
| Article 10. | Maintenance | 35 |
| 10.1 | Transmission Provider Obligations..... | 35 |
| 10.2 | Interconnection Customer Obligations | 35 |
| 10.3 | Coordination..... | 35 |
| 10.4 | Secondary Systems..... | 35 |
| 10.5 | Operating and Maintenance Expenses..... | 35 |

| | | |
|--------------------|--|-----------|
| Article 11. | Performance Obligation..... | 35 |
| 11.1 | Interconnection Customer Interconnection Facilities..... | 35 |
| 11.2 | Transmission Provider's Interconnection Facilities..... | 36 |
| 11.3 | Network Upgrades and Distribution Upgrades | 36 |
| 11.4 | Transmission Credits..... | 36 |
| 11.4.1 | Repayment of Amounts Advanced for Network Upgrades..... | 36 |
| 11.4.2 | Special Provisions for Affected Systems. | 37 |
| 11.5 | Provision of Security | 37 |
| 11.6 | Interconnection Customer Compensation | 38 |
| 11.6.1 | Interconnection Customer Compensation for Actions During Emergency Condition..... | 38 |
| Article 12. | Invoice..... | 38 |
| 12.1 | General..... | 38 |
| 12.2 | Final Invoice..... | 39 |
| 12.3 | Payment..... | 39 |
| 12.4 | Disputes | 39 |
| Article 13. | Emergencies..... | 39 |
| 13.1 | Definition | 39 |
| 13.2 | Obligations..... | 40 |
| 13.3 | Notice | 40 |
| 13.4 | Immediate Action | 40 |
| 13.5 | Transmission Provider Authority | 40 |
| 13.5.1 | General..... | 40 |
| 13.5.2 | Reduction and Disconnection | 41 |
| 13.6 | Interconnection Customer Authority..... | 41 |
| 13.7 | Limited Liability..... | 41 |
| Article 14. | Regulatory Requirements and Governing Law..... | 42 |
| 14.1 | Regulatory Requirements..... | 42 |
| 14.2 | Governing Law | 42 |
| Article 15. | Notices..... | 42 |
| 15.1 | General..... | 42 |
| 15.2 | Billings and Payments | 42 |
| 15.3 | Alternative Forms of Notice | 42 |
| 15.4 | Operations and Maintenance Notice | 43 |
| Article 16. | Force Majeure | 43 |
| 16.1 | Force Majeure | 43 |
| Article 17. | Default..... | 43 |
| 17.1 | Default..... | 43 |
| 17.1.1 | General..... | 43 |
| 17.1.2 | Right to Terminate..... | 44 |

Article 18. Indemnity, Consequential Damages and Insurance 44
 18.1 Indemnity 44
 18.1.1 Indemnified Person (Intentionally Omitted) 44
 18.1.2 Indemnifying Party..... 44
 18.1.3 Indemnity Procedures..... 44
 18.2 Consequential Damages 45
 18.3 Insurance..... 45

Article 19. Assignment..... 47
 19.1 Assignment..... 47

Article 20. Severability..... 48
 20.1 Severability..... 48

Article 21. Comparability..... 48
 21.1 Comparability (Intentionally Omitted)..... 48

Article 22. Confidentiality 48
 22.1 Confidentiality 48
 22.1.1 Term 48
 22.1.2 Scope 48
 22.1.3 Release of Confidential Information..... 49
 22.1.4 Rights..... 49
 22.1.5 No Warranties 49
 22.1.6 Standard of Care 49
 22.1.7 Order of Disclosure..... 50
 22.1.8 Termination of Agreement 50
 22.1.9 Remedies..... 50
 22.1.10 Disclosure to FERC, its Staff or a State..... 50

Article 23. Environmental Releases..... 51

Article 24. Information Requirements..... 52
 24.1 Information Acquisition..... 52
 24.2 Information Submission by Transmission Provider 52
 24.3 Updated Information Submission by Interconnection Customer .. 52
 24.4 Information Supplementation 53

Article 25. Information Access and Audit Rights..... 53
 25.1 Information Access..... 53
 25.2 Reporting of Non-Force Majeure Events 54
 25.3 Audit Rights..... 54
 25.4 Audit Rights Periods..... 54
 25.4.1 Audit Rights Period for Construction-Related
 Accounts and Records..... 54
 25.4.2 Audit Rights Period for All Other Accounts and Records .. 54
 25.5 Audit Results 55

Article 26. Subcontractors.....55
 26.1 General.....55
 26.2 Responsibility of Principal.....55
 26.3 No Limitation by Insurance55

Article 27. Disputes55
 27.1 Submission55
 27.2 External Arbitration Procedures56
 27.3 Arbitration Decisions.....56
 27.4 Costs56

Article 28. Representations, Warranties and Covenants57
 28.1 General.....57
 28.1.1 Good Standing57
 28.1.2 Authority.....57
 28.1.3 No Conflict.....57
 28.1.4 Consent and Approval.....57

Article 29. Joint Operating Committee.....57
 29.1 Joint Operating Committee.....57

Article 30. Miscellaneous58
 30.1 Binding Effect.....58
 30.2 Conflicts.....58
 30.3 Rules of Interpretation.....58
 30.4 Entire Agreement59
 30.5 No Third-Party Beneficiaries.....59
 30.6 Waiver59
 30.7 Headings.....59
 30.8 Multiple Counterparts.....59
 30.9 Amendment.....60
 30.10 Modifications by the Parties60
 30.11 Reservation of Rights60
 30.12 No Partnership.....60

Appendix A – Interconnection Facilities, Network Upgrades and Distribution Upgrades

Appendix B – Milestones

Appendix C – Interconnection Details and Operating Requirements

Appendix D – Security Arrangements Details

Appendix E – Commercial Operation Date

Appendix F – Addresses for Delivery of Notices and Billings

Appendix G – Interconnection Requirements for a Wind Generating Plant

Appendix H – Operation, Maintenance, Repair and Replacement of Network Upgrades

STANDARD LARGE GENERATOR INTERCONNECTION AGREEMENT

THIS STANDARD LARGE GENERATOR INTERCONNECTION AGREEMENT (LGIA) is made and entered into this ___ day of _____ 20___, by and between **PUGET SOUND ENERGY, INC.**, a corporation organized and existing under the laws of the State of Washington (Interconnection Customer with a Large Generating Facility) and **THE UNITED STATES OF AMERICA, DEPARTMENT OF ENERGY**, acting by and through the **BONNEVILLE POWER ADMINISTRATION**, (Transmission Provider and/or Transmission Owner). Interconnection Customer and Transmission Provider each may be referred to as a "Party" or collectively as the "Parties."

Recitals

WHEREAS, Transmission Provider operates the Transmission System; and

WHEREAS, Interconnection Customer intends to own, lease and/or control and operate the Generating Facility identified as a Large Generating Facility in Appendix C to this Agreement; and

WHEREAS, Interconnection Customer and Transmission Provider have agreed to enter into this LGIA for the purpose of interconnecting the Large Generating Facility with the Transmission System;

NOW, THEREFORE, in consideration of and subject to the mutual covenants contained herein, it is agreed:

When used in this LGIA, terms with initial capitalization that are not defined in Article 1 shall have the meanings specified in the Article in which they are used or the Open Access Transmission Tariff (Tariff).

Article 1. Definitions

Adverse System Impact shall mean the negative effects due to technical or operational limits on conductors or equipment being exceeded that may compromise the safety and reliability of the electric system.

Affected System shall mean an electric system other than the Transmission Provider's Transmission System that may be affected by the proposed interconnection.

Affected System Operator shall mean the entity that operates an Affected System.

Affiliate shall mean, with respect to a corporation, partnership or other entity, each such other corporation, partnership or other entity that directly or indirectly, through one or more intermediaries, controls, is controlled by, or is under common control with, such corporation, partnership or other entity.

Ancillary Services shall mean those services that are necessary to support the transmission of capacity and energy from resources to loads while maintaining reliable operation of the Transmission Provider's Transmission System in accordance with Good Utility Practice.

Applicable Laws and Regulations shall mean all duly promulgated applicable Federal, state and local laws, regulations, rules, ordinances, codes, decrees, judgments, directives, or judicial or administrative orders, permits and other duly authorized actions of any Governmental Authority.

Applicable Reliability Council shall mean the reliability council applicable to the Transmission System to which the Generating Facility is directly interconnected.

Applicable Reliability Standards shall mean the requirements and guidelines of NERC, the Applicable Reliability Council and the Control Area of the Transmission System to which the Generating Facility is directly interconnected.

Base Case shall mean the base case power flow, short circuit and stability data bases used for the Interconnection Studies by the Transmission Provider or Interconnection Customer.

Breach shall mean the failure of a Party to perform or observe any material term or condition of the LGIA.

Breaching Party shall mean a Party that is in Breach of the LGIA.

Business Day shall mean Monday through Friday, excluding Federal Holidays.

Calendar Day shall mean any day including Saturday, Sunday or a Federal Holiday.

Clustering shall mean the process whereby a group of Interconnection Requests is studied together, instead of serially, for the purpose of conducting the Interconnection System Impact Study.

Commercial Operation shall mean the status of a Generating Facility that has commenced generating electricity for sale, excluding electricity generated during Trial Operation.

Commercial Operation Date of a unit shall mean the date on which the Generating Facility commences Commercial Operation as agreed to by the Parties pursuant to Appendix E to the LGIA.

Confidential Information shall mean any confidential, proprietary or trade secret information of a plan, specification, pattern, procedure, design, device, list, concept, policy or compilation relating to the present or planned business of a Party, which is designated as confidential by the Party supplying the information, whether conveyed orally, electronically, in writing, through inspection or otherwise.

Control Area shall mean an electrical system or systems bounded by interconnection metering and telemetry, capable of controlling generation to maintain its interchange schedule with other Control Areas and contributing to frequency regulation of the interconnection. A Control Area must be certified by the Applicable Reliability Council.

Default shall mean the failure of a Breaching Party to cure its Breach in accordance with Article 17 of the LGIA.

Dispute Resolution shall mean the procedure for resolution of a dispute between the Parties in which they will first attempt to resolve the dispute on an informal basis.

Distribution System shall mean the Transmission Provider's facilities and equipment used to transmit electricity to ultimate usage points such as homes and industries directly from nearby generators or from interchanges with higher voltage transmission networks which transport bulk power over longer distances. The voltage levels at which distribution systems operate differ among areas.

Distribution Upgrades shall mean the additions, modifications and upgrades to the Transmission Provider's Distribution System at or beyond the Point of Interconnection to facilitate interconnection of the Generating Facility and render the transmission service necessary to affect Interconnection Customer's wholesale sale of electricity in interstate commerce. Distribution Upgrades do not include Interconnection Facilities.

Effective Date shall mean the date on which the LGIA becomes effective upon execution by the Parties, or if filed unexecuted, upon the date specified by FERC.

Emergency Condition shall mean a condition or situation: (1) that in the judgment of the Party making the claim is imminently likely to endanger life or property; or (2) that, in the case of a Transmission Provider, is imminently likely (as determined in a non-discriminatory manner) to cause a material adverse effect on the security of, or damage to Transmission Provider's Transmission System, Transmission Provider's Interconnection Facilities or the electric systems of others to which the Transmission Provider's Transmission System is directly connected; or (3) that, in the case of Interconnection Customer, is imminently likely (as determined in a non-discriminatory manner) to cause a material adverse effect on the security of, or damage to, the Generating Facility or Interconnection Customer's Interconnection Facilities. System restoration and black start shall be considered Emergency Conditions; provided that Interconnection Customer is not obligated by the LGIA to possess black start capability.

Energy Resource Interconnection Service shall mean an Interconnection Service that allows the Interconnection Customer to connect its Generating Facility to the Transmission Provider's Transmission System to be eligible to deliver the Generating Facility's electric output using the existing firm or nonfirm capacity of the Transmission Provider's Transmission System on an as available basis. Energy Resource Interconnection Service in and of itself does not convey transmission service.

Engineering & Procurement (E&P) Agreement shall mean an agreement that authorizes the Transmission Provider to begin engineering and procurement of long lead-time items necessary for the establishment of the interconnection in order to advance the implementation of the Interconnection Request.

Environmental Law shall mean Applicable Laws or Regulations relating to pollution or protection of the environment or natural resources.

Federal Power Act shall mean the Federal Power Act, as amended, 16 U.S.C. §§ 791a et seq.

FERC shall mean the Federal Energy Regulatory Commission or its successor.

Force Majeure shall mean any act of God, labor disturbance, act of the public enemy, war, insurrection, riot, fire, storm or flood, explosion, breakage or accident to machinery or equipment, any order, regulation or restriction imposed by governmental, military or lawfully established civilian authorities, or any other cause beyond a Party's control. A Force Majeure event does not include acts of negligence or intentional wrongdoing by the Party claiming Force Majeure.

Generating Facility shall mean Interconnection Customer's device for the production of electricity identified in the Interconnection Request, but shall not include the Interconnection Customer's Interconnection Facilities.

Generating Facility Capacity shall mean the net capacity of the Generating Facility and the aggregate net capacity of the Generating Facility where it includes multiple energy production devices.

Good Utility Practice shall mean any of the practices, methods and acts engaged in or approved by a significant portion of the electric industry during the relevant time period, or any of the practices, methods and acts which, in the exercise of reasonable judgment in light of the facts known at the time the decision was made, could have been expected to accomplish the desired result at a reasonable cost consistent with good business practices, reliability, safety and expedition. Good Utility Practice is not intended to be limited to the optimum practice, method or act to the exclusion of all others, but rather to be acceptable practices, methods or acts generally accepted in the region.

Governmental Authority shall mean any Federal, state, local or other governmental regulatory or administrative agency, court, commission, department, board, or other governmental subdivision, legislature, rulemaking board, tribunal or other governmental authority having jurisdiction over the Parties, their respective facilities, or the respective services they provide and exercising or entitled to exercise any administrative, executive, police or taxing authority or power; provided however, that such term does not include Interconnection Customer, Transmission Provider, or any Affiliate thereof.

Hazardous Substances shall mean any chemicals, materials or substances defined as or included in the definition of "hazardous substances," "hazardous wastes," "hazardous materials," "hazardous constituents," "restricted hazardous materials," "extremely hazardous substances," "toxic substances," "radioactive substances," "contaminants," "pollutants," "toxic pollutants" or words of similar meaning and regulatory effect under any applicable Environmental Law, or any other chemical, material or substance, exposure to which is prohibited, limited or regulated by any applicable Environmental Law.

Initial Synchronization Date shall mean the date upon which the Generating Facility is initially synchronized and upon which Trial Operation begins.

In-Service Date shall mean the date upon which the Interconnection Customer reasonably expects it will be ready to begin use of the Transmission Provider's Interconnection Facilities to obtain back feed power.

Interconnection Customer shall mean any entity, including the Transmission Provider, Transmission Owner or any of the Affiliates or subsidiaries of either, that proposes to interconnect its Generating Facility with the Transmission Provider's Transmission System.

Interconnection Customer's Interconnection Facilities shall mean all facilities and equipment, as identified in Appendix A of the LGIA, that are located between the Generating Facility and the Point of Change of Ownership, including any modification, addition or upgrades to such facilities and equipment necessary to physically and electrically interconnect the Generating Facility to the Transmission Provider's Transmission System. Interconnection Customer's Interconnection Facilities are sole use facilities.

Interconnection Facilities shall mean the Transmission Provider's Interconnection Facilities and the Interconnection Customer's Interconnection Facilities. Collectively, Interconnection Facilities include all facilities and equipment between the Generating Facility and the Point of Interconnection, including any modification, additions or upgrades that are necessary to physically and electrically interconnect the Generating Facility to the Transmission Provider's Transmission System. Interconnection Facilities are sole use facilities and shall not include Distribution Upgrades, Stand Alone Network Upgrades or Network Upgrades.

Interconnection Facilities Study shall mean a study conducted by the Transmission Provider or a third party consultant for the Interconnection Customer to determine a list of facilities (including Transmission Provider's Interconnection Facilities and Network Upgrades as identified in the Interconnection System Impact Study), the cost of those facilities and the time required to interconnect the Generating Facility with the Transmission Provider's Transmission System. The scope of the study is defined in Section 8 of the Standard Large Generator Interconnection Procedures (LGIP).

Interconnection Facilities Study Agreement shall mean the form of agreement contained in Appendix 4 of the LGIP for conducting the Interconnection Facilities Study.

Interconnection Feasibility Study shall mean a preliminary evaluation of the system impact and cost of interconnecting the Generating Facility to the Transmission Provider's Transmission System, the scope of which is described in Section 6 of the LGIP.

Interconnection Feasibility Study Agreement shall mean the form of agreement contained in Appendix 2 of the LGIP for conducting the Interconnection Feasibility Study.

Interconnection Request shall mean an Interconnection Customer's request, in the form of Appendix 1 to the LGIP, in accordance with the Tariff, to interconnect a new Generating Facility, or to increase the capacity of, or make a Material Modification to the operating characteristics of, an existing Generating Facility that is interconnected with the Transmission Provider's Transmission System.

Interconnection Service shall mean the service provided by the Transmission Provider associated with interconnecting the Interconnection Customer's Generating Facility to the Transmission Provider's Transmission System and enabling it to receive electric energy and capacity from the Generating Facility at the Point of Interconnection, pursuant to the terms of the LGIA and, if applicable, the Transmission Provider's Tariff.

Interconnection Study shall mean any of the following studies: the Interconnection Feasibility Study, the Interconnection System Impact Study and the Interconnection Facilities Study described in the LGIP.

Interconnection System Impact Study shall mean an engineering study that evaluates the impact of the proposed interconnection on the safety and reliability of Transmission Provider's Transmission System and, if applicable, an Affected System. The study shall identify and detail the system impacts that would result if the Generating Facility were interconnected without project modifications or system modifications, focusing on the Adverse System Impacts identified in the Interconnection Feasibility Study, or to study potential impacts, including but not limited to those identified in the Scoping Meeting as described in the LGIP.

Interconnection System Impact Study Agreement shall mean the form of agreement contained in Appendix 3 of the LGIP for conducting the Interconnection System Impact Study.

Joint Operating Committee shall be a group made up of representatives from Interconnection Customers and the Transmission Provider to coordinate operating and technical considerations of Interconnection Service.

Large Generating Facility shall mean a Generating Facility having a Generating Facility Capacity of more than 20 MW.

Loss shall mean any and all losses relating to injury to or death of any person or damage to property, demand, suits, recoveries, costs and expenses, court costs, attorney fees and all other obligations by or to third parties, arising out of or resulting from the other Party's performance, or non-performance of its obligations under the LGIA on behalf of the indemnifying Party, except in cases of gross negligence or intentional wrongdoing by the indemnifying Party.

Material Modification shall mean those modifications that have a material impact on the cost or timing of any Interconnection Request with a later queue priority date.

Metering Equipment shall mean all metering equipment installed or to be installed at the Generating Facility pursuant to the LGIA at the metering points, including but not limited to instrument transformers, MWh-meters, data acquisition equipment, transducers, remote terminal unit, communications equipment, phone lines and fiber optics.

NERC shall mean the North American Electric Reliability Council or its successor organization.

Network Resource shall mean any designated generating resource owned, purchased, or leased by a Network Customer under the Network Integration Transmission Service Tariff. Network Resources do not include any resource, or any portion thereof, that is committed for sale to third parties or otherwise cannot be called upon to meet the Network Customer's Network Load on a non-interruptible basis.

Network Resource Interconnection Service shall mean an Interconnection Service that allows the Interconnection Customer to integrate its Large Generating Facility with the Transmission Provider's Transmission System: (1) in a manner comparable to that in which the Transmission Provider integrates its generating facilities to serve native load customers; or (2) in an RTO or ISO with market-based congestion management, in the same manner as Network Resources. Network Resource Interconnection Service in and of itself does not convey transmission service.

Network Upgrades shall mean the additions, modifications and upgrades to the Transmission Provider's Transmission System required at or beyond the point at which the Interconnection Facilities connect to the Transmission Provider's Transmission System to accommodate the interconnection of the Large Generating Facility to the Transmission Provider's Transmission System.

Notice of Dispute shall mean a written notice of a dispute or claim that arises out of or in connection with the LGIA or its performance.

Optional Interconnection Study shall mean a sensitivity analysis based on assumptions specified by the Interconnection Customer in the Optional Interconnection Study Agreement.

Optional Interconnection Study Agreement shall mean the form of agreement contained in Appendix 5 of the LGIP for conducting the Optional Interconnection Study.

Party or Parties shall mean Transmission Provider, Transmission Owner, Interconnection Customer or any combination of the above.

Point of Change of Ownership shall mean the point, as set forth in Appendix A to the LGIA, where the Interconnection Customer's Interconnection Facilities connect to the Transmission Provider's Interconnection Facilities.

Point of Interconnection shall mean the point, as set forth in Appendix A to the LGIA, where the Interconnection Facilities connect to the Transmission Provider's Transmission System.

Queue Position shall mean the order of a valid Interconnection Request, relative to all other pending valid Interconnection Requests, that is established based upon the date and time of receipt of the valid Interconnection Request by the Transmission Provider.

Reasonable Efforts shall mean, with respect to an action required to be attempted or taken by a Party under the LGIA, efforts that are timely and consistent with Good Utility Practice and are otherwise substantially equivalent to those a Party would use to protect its own interests.

Scoping Meeting shall mean the meeting between representatives of the Interconnection Customer and Transmission Provider conducted for the purpose of discussing alternative interconnection options, to exchange information including any transmission data and earlier study evaluations that would be reasonably expected to impact such interconnection options, to analyze such information and to determine the potential feasible Points of Interconnection.

Site Control shall mean documentation reasonably demonstrating: (1) ownership of, a leasehold interest in, or a right to develop a site for the purpose of constructing the Generating Facility; (2) an option to purchase or acquire a leasehold site for such purpose; or (3) an exclusivity or other business relationship between Interconnection Customer and the entity having the right to sell, lease or grant Interconnection Customer the right to possess or occupy a site for such purpose.

Small Generating Facility shall mean a Generating Facility that has a Generating Facility Capacity of no more than 20 MW.

Stand Alone Network Upgrades shall mean Network Upgrades that an Interconnection Customer may construct without affecting day-to-day operations of the Transmission System during their construction. Both the Transmission Provider and the Interconnection Customer must agree as to what constitutes Stand Alone Network Upgrades and identify them in Appendix A to the LGIA.

Standard Large Generator Interconnection Agreement (LGIA) shall mean the form of interconnection agreement applicable to an Interconnection Request pertaining to a Large Generating Facility that is included in the Transmission Provider's Tariff.

Standard Large Generator Interconnection Procedures (LGIP) shall mean the interconnection procedures applicable to an Interconnection Request pertaining to a Large Generating Facility that is included in the Transmission Provider's Tariff.

System Protection Facilities shall mean the equipment, including necessary protection signal communications equipment, required to protect: (1) the Transmission Provider's Transmission System from faults or other electrical disturbances occurring at the Generating Facility, and (2) the Generating Facility from faults or other electrical system disturbances occurring on the Transmission Provider's Transmission System or on other delivery systems or other generating systems to which the Transmission Provider's Transmission System is directly connected.

Tariff shall mean the Transmission Provider's Tariff through which open access transmission service and Interconnection Service are offered, as filed with FERC, and as amended or supplemented from time to time, or any successor Tariff.

Transmission Owner shall mean an entity that owns, leases or otherwise possesses an interest in the portion of the Transmission System at the Point of Interconnection and may be a Party to the Standard LGIA to the extent necessary.

Transmission Provider shall mean the public utility (or its designated agent) that owns, controls or operates transmission or distribution facilities used for the transmission of electricity in interstate commerce and provides transmission service under the Tariff. The term Transmission Provider should be read to include the Transmission Owner when the Transmission Owner is separate from the Transmission Provider.

Transmission Provider's Interconnection Facilities shall mean all facilities and equipment owned, controlled or operated by the Transmission Provider from the Point of Change of Ownership to the Point of Interconnection as identified in Appendix A to the Standard LGIA, including any modifications, additions or upgrades to such facilities and equipment. Transmission Provider's Interconnection Facilities are sole use facilities and shall not include Distribution Upgrades, Stand Alone Network Upgrades or Network Upgrades.

Transmission System shall mean the facilities owned, controlled or operated by the Transmission Provider or Transmission Owner that are used to provide transmission service under the Tariff.

Trial Operation shall mean the period during which Interconnection Customer is engaged in on-site test operations and commissioning of the Generating Facility prior to Commercial Operation.

Article 2. Effective Date, Term and Termination

2.1 Effective Date. This LGIA shall become effective upon execution by the Parties, or if filed unexecuted, upon the date specified by FERC.

2.2 Term of Agreement. Subject to the provisions of Article 2.3, this LGIA shall remain in effect for a period of twenty-five (25) years from the Effective Date and shall be automatically renewed for each successive one-year period thereafter.

2.3 Termination Procedures.

2.3.1 Written Notice. This LGIA may be terminated by Interconnection Customer after giving Transmission Provider ninety (90) Calendar Days advance written notice or by Transmission Provider notifying FERC after the Generating Facility permanently ceases Commercial Operation.

2.3.2 Default. Either Party may terminate this LGIA in accordance with Article 17.

2.3.3 Notwithstanding Articles 2.3.1 and 2.3.2, no termination shall become effective until the Parties have complied with all Applicable Laws and Regulations applicable to such termination.

2.4 Termination Costs. If a Party elects to terminate this Agreement pursuant to Article 2.3 above, each Party shall pay all costs incurred (including any cancellation costs relating to orders or contracts for Interconnection Facilities and equipment) or charges assessed by the other Party, as of the date of the other Party's receipt of such notice of termination, for which it is responsible under this LGIA. In the event of termination by a Party, the Parties shall use commercially Reasonable Efforts to mitigate the costs, damages and charges arising as a consequence of termination.

2.4.1 With respect to any portion of Transmission Provider's Interconnection Facilities that have not yet been constructed or installed, Transmission Provider shall, to the extent possible and with Interconnection Customer's authorization, cancel any pending orders of, or return, any materials or equipment for, or contracts for construction of, such facilities; provided that in the event Interconnection Customer elects not to authorize such cancellation, Interconnection Customer shall assume all payment obligations with respect to such materials, equipment and contracts and Transmission Provider shall deliver such material and equipment; and, if necessary, assign such contracts, to Interconnection Customer as soon as practicable, at Interconnection Customer's expense. To the extent that Interconnection Customer has already paid Transmission Provider for any or all such costs of materials or equipment not taken by Interconnection Customer, Transmission Provider shall promptly refund such amounts to Interconnection Customer, less any costs, including penalties incurred by Transmission Provider to cancel any pending orders of or return such materials, equipment or contracts.

If an Interconnection Customer terminates this LGIA, it shall be responsible for all costs incurred in association with that Interconnection Customer's interconnection, including any cancellation costs relating to orders or contracts for Interconnection Facilities and equipment and other expenses including any Network Upgrades for which Transmission Provider has incurred expenses and has not been reimbursed by Interconnection Customer.

2.4.2 Transmission Provider may, at its option, retain any portion of such materials, equipment or facilities that Interconnection Customer chooses not to accept delivery of, in which case Transmission Provider shall be responsible for all costs associated with procuring such materials, equipment or facilities.

2.4.3 With respect to any portion of the Interconnection Facilities and any other facilities already installed or constructed pursuant to the terms of this LGIA, Interconnection Customer shall be responsible for all costs associated with the removal, relocation or other disposition or retirement of such materials, equipment or facilities.

2.5 Disconnection. Upon termination of this LGIA, the Parties will take all appropriate steps to disconnect the Large Generating Facility from the Transmission System. All costs required to effectuate such disconnection shall be borne by the terminating Party, unless such termination resulted from the non-terminating Party's Default of this LGIA or such non-terminating Party otherwise is responsible for these costs under this LGIA.

2.6 Survival. This LGIA shall continue in effect after termination to the extent necessary to provide for final billings and payments and for costs incurred hereunder, including billings and payments pursuant to this LGIA; to permit the determination and enforcement of liability and indemnification obligations arising from acts or events that occurred while this LGIA was in effect; and to permit each Party to have access to the lands of the other Party pursuant to this LGIA or other applicable agreements, to disconnect, remove or salvage its own facilities and equipment.

Article 3. Regulatory Filings

3.1 Filing. Transmission Provider shall file this LGIA (and any amendment hereto) with the appropriate Governmental Authority, if required. Interconnection Customer may request that any information so provided be subject to the confidentiality provisions of Article 22. If Interconnection Customer has executed this LGIA, or any amendment thereto, Interconnection Customer shall reasonably cooperate with Transmission Provider with respect to such filing and to provide any information reasonably requested by Transmission Provider needed to comply with applicable regulatory requirements.

Article 4. Scope of Service

4.1 **Interconnection Product Options.** Interconnection Customer has selected the following type of Interconnection Service:

4.1.1 Energy Resource Interconnection Service.

4.1.1.1 **The Product.** Energy Resource Interconnection Service allows Interconnection Customer to connect the Large Generating Facility to the Transmission System and be eligible to deliver the Large Generating Facility's output using the existing firm or non-firm capacity of the Transmission System on an "as available" basis. To the extent Interconnection Customer wants to receive Energy Resource Interconnection Service, Transmission Provider shall construct facilities identified in Appendix A.

4.1.1.2 **Transmission Delivery Service Implications.** Under Energy Resource Interconnection Service, Interconnection Customer will be eligible to inject power from the Large Generating Facility into and deliver power across the interconnecting Transmission Provider's Transmission System on an "as available" basis up to the amount of MWs identified in the applicable stability and steady state studies to the extent the upgrades initially required to qualify for Energy Resource Interconnection Service have been constructed. Where eligible to do so (e.g., PJM, ISO-NE, NYISO), Interconnection Customer may place a bid to sell into the market up to the maximum identified Large Generating Facility output, subject to any conditions specified in the interconnection service approval and the Large Generating Facility will be dispatched to the extent Interconnection Customer's bid clears. In all other instances, no transmission delivery service from the Large Generating Facility is assured, but Interconnection Customer may obtain Point-to-Point Transmission Service, Network Integration Transmission Service or be used for secondary network transmission service, pursuant to Transmission Provider's Tariff, up to the maximum output identified in the stability and steady state studies. In those instances, in order for Interconnection Customer to obtain the right to deliver or inject energy beyond the Large Generating Facility Point of Interconnection or to improve its ability to do so, transmission delivery service must be obtained pursuant to the provisions of Transmission Provider's Tariff.

The Interconnection Customer's ability to inject its Large Generating Facility output beyond the Point of Interconnection, therefore, will depend on the existing capacity of Transmission Provider's Transmission System at such time as a transmission service request is made that would accommodate such delivery. The provision of firm Point-to-Point Transmission Service or Network Integration Transmission Service may require the construction of additional Network Upgrades.

- 4.2 Provision of Service.** Transmission Provider shall provide Interconnection Service for the Large Generating Facility at the Point of Interconnection.
- 4.3 Performance Standards.** Each Party shall perform all of its obligations under this LGIA in accordance with Applicable Laws and Regulations, Applicable Reliability Standards and Good Utility Practice and to the extent a Party is required or prevented or limited in taking any action by such regulations and standards, such Party shall not be deemed to be in Breach of this LGIA for its compliance therewith.

4.3.1 Compliance with WECC Reliability Criteria.

4.3.1.1 Compliance. Interconnection Customer shall comply with the provisions of the WECC Reliability Criteria Agreement that are applicable to generators. All provisions of the WECC Reliability Criteria Agreement are hereby incorporated by reference into this LGIA as though set forth fully herein. Interconnection Customer shall for all purposes be considered a Participant as defined in the WECC Reliability Criteria Agreement and shall be entitled to all of the rights and privileges and be subject to all of the obligations of a generator that is a Participant to that agreement, including but not limited to the rights, privileges and obligations set forth in Section 5 (Determination of Compliance), Section 6 (Review of RCC Determination) and Section 10 (Remedies) of the WECC Reliability Criteria Agreement.

4.3.1.2 Payment of Sanctions. Interconnection Customer shall be responsible for payment of any monetary sanction assessed against Interconnection Customer by WECC pursuant to the WECC Reliability Criteria Agreement. Any such payment shall be made pursuant to the procedures specified in the WECC Reliability Criteria Agreement.

4.3.1.3 WECC Remedy. Transmission Provider and Interconnection Customer expressly intend that WECC is a third-party beneficiary to this LGIA for purposes of this Article 4.3.1. The WECC shall have the right to seek to enforce against Interconnection Customer any provision of this Article 4.3.1, **provided** that specific performance shall be the sole remedy available to the WECC for enforcement of the provisions of this Article 4.3.1, other than payment to the WECC of monetary sanctions under the WECC Reliability Criteria Agreement.

4.3.1.4 Termination. Interconnection Customer may terminate its obligations under this Article 4.3.1 (other than its obligations under Article 4.3.1.5):

- (a) if after the Effective Date of this LGIA, the requirements of the WECC Reliability Criteria Agreement applicable to Interconnection Customer are amended so as to adversely affect Interconnection Customer, **provided** that, within forty-five (45) days of the date of issuance of a FERC order accepting such amendment for filing, Interconnection Customer gives fifteen (15) days' written notice of such termination to Transmission Provider and the WECC; **and provided further** that such forty-five (45) day period may be extended by Interconnection Customer for an additional forty-five (45) days if Interconnection Customer gives written notice to Transmission Provider of such requested extension within the initial forty-five (45) day period; or
- (b) for any reason on one year's written notice to Transmission Provider and the WECC.

4.3.1.5 Replacement Terms. If Interconnection Customer exercises its right to terminate its obligations under this Article 4.3.1, Interconnection Customer and Transmission Provider shall use good faith efforts to negotiate an amendment to this LGIA imposing obligations on Interconnection Customer to meet reliability criteria satisfactory to Transmission Provider.

4.3.1.6 Consent. Interconnection Customer consents to the release by the WECC of information related to Interconnection Customer's compliance with this LGIA, **provided** that such information is released in accordance with the WECC Reliability Criteria Agreement.

4.3.1.7 Definitions.

- (a) WECC shall mean the Western Electricity Reliability Council or its successor.
- (b) WECC Reliability Criteria Agreement shall mean the WECC Reliability Criteria Agreement dated June 18, 1999, among the WECC and certain of its member transmission operators, as such may be amended or replaced from time to time.

4.4 No Transmission Delivery Service. The execution of this LGIA does not constitute a request for, nor the provision of, any transmission delivery service under Transmission Provider's Tariff and does not convey any right to deliver electricity to any specific customer or point of delivery.

4.5 Interconnection Customer Provided Services. The services provided by Interconnection Customer under this LGIA are set forth in Article 9.6 and Article 13.5.1. Interconnection Customer shall be paid for such services in accordance with Article 11.6.

Article 5. Interconnection Facilities Engineering, Procurement and Construction

5.1 Options. Unless otherwise mutually agreed to between the Parties, Interconnection Customer shall select the In-Service Date, Initial Synchronization Date and Commercial Operation Date, and either Standard Option or Alternate Option set forth below for completion of Transmission Provider's Interconnection Facilities and Network Upgrades as set forth in Appendix A, Interconnection Facilities and Network Upgrades and such dates and selected option shall be set forth in Appendix B, Milestones.

5.1.1 Standard Option. Transmission Provider shall design, procure and construct Transmission Provider's Interconnection Facilities and Network Upgrades, using Reasonable Efforts to complete Transmission Provider's Interconnection Facilities and Network Upgrades by the dates set forth in Appendix B, Milestones. Transmission Provider shall not be required to undertake any action which is inconsistent with its standard safety practices, its material and equipment specifications, its design criteria and construction procedures, its labor agreements and Applicable Laws and Regulations. In the event Transmission Provider reasonably expects that it will not be able to complete Transmission Provider's Interconnection Facilities and Network Upgrades by the specified dates, Transmission Provider shall promptly provide written notice to Interconnection Customer and shall undertake Reasonable Efforts to meet the earliest dates thereafter.

5.1.2 Alternate Option. If the dates designated by Interconnection Customer are acceptable to Transmission Provider, Transmission Provider shall so notify Interconnection Customer within thirty (30) Calendar Days and shall assume responsibility for the design, procurement and construction of Transmission Provider's Interconnection Facilities by the designated dates.

If Transmission Provider subsequently fails to complete Transmission Provider's Interconnection Facilities by the In-Service Date, to the extent necessary to provide back feed power; or fails to complete Network Upgrades by the Initial Synchronization Date to the extent necessary to allow for Trial Operation at full power output, unless other arrangements are made by the Parties for such Trial Operation; or fails to complete the Network Upgrades by the Commercial Operation Date, as such dates are reflected in Appendix B, Milestones; Transmission Provider shall pay Interconnection Customer liquidated damages in accordance with Article 5.3, Liquidated Damages, provided, however, the dates designated by Interconnection Customer shall be extended day for day for each day that the applicable RTO or ISO refuses to grant clearances to install equipment.

5.1.3 Option to Build. If the dates designated by Interconnection Customer are not acceptable to Transmission Provider, Transmission Provider shall so notify Interconnection Customer within thirty (30) Calendar Days; and unless the Parties agree otherwise, Interconnection Customer shall have the option to assume responsibility for the design, procurement and construction of Transmission Provider's Interconnection Facilities and Stand Alone Network Upgrades on the dates specified in Article 5.1.2. Transmission Provider and Interconnection Customer must agree as to what constitutes Stand Alone Network Upgrades and identify such Stand Alone Network Upgrades in Appendix A. Except for Stand Alone Network Upgrades, Interconnection Customer shall have no right to construct Network Upgrades under this option.

5.1.4 Negotiated Option. If Interconnection Customer elects not to exercise its option under Article 5.1.3, Option to Build, Interconnection Customer shall so notify Transmission Provider within thirty (30) Calendar Days and the Parties shall in good faith attempt to negotiate terms and conditions (including revision of the specified dates and liquidated damages, the provision of incentives or the procurement and construction of a portion of Transmission Provider's Interconnection Facilities and Stand Alone Network Upgrades by Interconnection Customer) pursuant to which Transmission Provider is responsible for the design, procurement and construction of Transmission Provider's Interconnection Facilities and Network Upgrades. If the Parties are unable to reach agreement on such terms and conditions, Transmission Provider shall assume responsibility for the design, procurement and construction of Transmission Provider's Interconnection Facilities and Network Upgrades pursuant to Article 5.1.1, Standard Option.

5.2 General Conditions Applicable to Option to Build. If Interconnection Customer assumes responsibility for the design, procurement and construction of Transmission Provider's Interconnection Facilities and Stand Alone Network Upgrades:

- 5.2.1** Interconnection Customer shall engineer, procure equipment and construct Transmission Provider's Interconnection Facilities and Stand Alone Network Upgrades (or portions thereof) using Good Utility Practice and using standards and specifications provided in advance by Transmission Provider;
- 5.2.2** Interconnection Customer's engineering, procurement and construction of Transmission Provider's Interconnection Facilities and Stand Alone Network Upgrades shall comply with all requirements of law to which Transmission Provider would be subject in the engineering, procurement or construction of Transmission Provider's Interconnection Facilities and Stand Alone Network Upgrades;
- 5.2.3** Transmission Provider shall review and approve the engineering design, equipment acceptance tests and the construction of Transmission Provider's Interconnection Facilities and Stand Alone Network Upgrades;
- 5.2.4** prior to commencement of construction, Interconnection Customer shall provide to Transmission Provider a schedule for construction of Transmission Provider's Interconnection Facilities and Stand Alone Network Upgrades, and shall promptly respond to requests for information from Transmission Provider;
- 5.2.5** at any time during construction, Transmission Provider shall have the right to gain unrestricted access to Transmission Provider's Interconnection Facilities and Stand Alone Network Upgrades and to conduct inspections of the same;
- 5.2.6** at any time during construction, should any phase of the engineering, equipment procurement or construction of Transmission Provider's Interconnection Facilities and Stand Alone Network Upgrades not meet the standards and specifications provided by Transmission Provider, Interconnection Customer shall be obligated to remedy deficiencies in that portion of Transmission Provider's Interconnection Facilities and Stand Alone Network Upgrades;
- 5.2.7** (Intentionally Omitted);
- 5.2.8** Interconnection Customer shall transfer control of Transmission Provider's Interconnection Facilities and Stand Alone Network Upgrades to Transmission Provider;

5.2.9 Unless Parties otherwise agree, Interconnection Customer shall transfer ownership of Transmission Provider's Interconnection Facilities and Stand Alone Network Upgrades to Transmission Provider;

5.2.10 Transmission Provider shall approve and accept for operation and maintenance Transmission Provider's Interconnection Facilities and Stand Alone Network Upgrades to the extent engineered, procured and constructed in accordance with this Article 5.2; and

5.2.11 Interconnection Customer shall deliver to Transmission Provider "as-built" drawings, information and any other documents that are reasonably required by Transmission Provider to assure that the Interconnection Facilities and Stand Alone Network Upgrades are built to the standards and specifications required by Transmission Provider.

5.3 Liquidated Damages. The actual damages to Interconnection Customer, in the event Transmission Provider's Interconnection Facilities or Network Upgrades are not completed by the dates designated by Interconnection Customer and accepted by Transmission Provider pursuant to Subparagraphs 5.1.2 or 5.1.4 above, may include Interconnection Customer's fixed operation and maintenance costs and lost opportunity costs. Such actual damages are uncertain and impossible to determine at this time. Because of such uncertainty, any liquidated damages paid by Transmission Provider to Interconnection Customer in the event that Transmission Provider does not complete any portion of Transmission Provider's Interconnection Facilities or Network Upgrades by the applicable dates, shall be an amount equal to one-half of 1 percent per day of the actual cost of Transmission Provider's Interconnection Facilities and Network Upgrades, in the aggregate, for which Transmission Provider has assumed responsibility to design, procure and construct.

However, in no event shall the total liquidated damages exceed twenty (20) percent of the actual cost of Transmission Provider's Interconnection Facilities and Network Upgrades for which Transmission Provider has assumed responsibility to design, procure and construct. The foregoing payments will be made by Transmission Provider to Interconnection Customer as just compensation for the damages caused to Interconnection Customer, which actual damages are uncertain and impossible to determine at this time; and as reasonable liquidated damages, but not as a penalty or a method to secure performance of this LGIA. Liquidated damages, when the Parties agree to them, are the exclusive remedy for the Transmission Provider's failure to meet its schedule.

No liquidated damages shall be paid to Interconnection Customer if:

(1) Interconnection Customer is not ready to commence use of Transmission Provider's Interconnection Facilities or Network Upgrades to take the delivery of power for the Large Generating Facility's Trial Operation or to export power from the Large Generating Facility on the specified dates, unless Interconnection Customer would have been able to commence use of Transmission Provider's Interconnection Facilities or Network Upgrades to take the delivery of power for Large Generating Facility's Trial Operation or to export power from the Large

Generating Facility, but for Transmission Provider's delay; (2) Transmission Provider's failure to meet the specified dates is the result of the action or inaction of Interconnection Customer or any other Interconnection Customer who has entered into an LGIA with Transmission Provider or any cause beyond Transmission Provider's reasonable control or reasonable ability to cure; (3) the Interconnection Customer has assumed responsibility for the design, procurement and construction of Transmission Provider's Interconnection Facilities and Stand Alone Network Upgrades; or (4) the Parties have otherwise agreed.

5.4 Power System Stabilizers. The Interconnection Customer shall procure, install, maintain and operate Power System Stabilizers in accordance with the guidelines and procedures established by the Applicable Reliability Council. Transmission Provider reserves the right to reasonably establish minimum acceptable settings for any installed Power System Stabilizers, subject to the design and operating limitations of the Large Generating Facility. If the Large Generating Facility's Power System Stabilizers are removed from service or not capable of automatic operation, Interconnection Customer shall immediately notify Transmission Provider's system operator or its designated representative. The requirements of this paragraph shall not apply to wind generators.

5.5 Equipment Procurement. If responsibility for construction of Transmission Provider's Interconnection Facilities or Network Upgrades is to be borne by Transmission Provider, then Transmission Provider shall commence design of Transmission Provider's Interconnection Facilities or Network Upgrades and procure necessary equipment as soon as practicable after all of the following conditions are satisfied, unless the Parties otherwise agree in writing:

5.5.1 Transmission Provider has completed the Facilities Study pursuant to the Facilities Study Agreement;

5.5.2 Transmission Provider has received written authorization to proceed with design and procurement from Interconnection Customer by the date specified in Appendix B, Milestones; and

5.5.3 Interconnection Customer has provided security to Transmission Provider in accordance with Article 11.5 by the dates specified in Appendix B, Milestones.

5.6 Construction Commencement. Transmission Provider shall commence construction of Transmission Provider's Interconnection Facilities and Network Upgrades for which it is responsible as soon as practicable after the following additional conditions are satisfied:

5.6.1 Approval of the appropriate Governmental Authority has been obtained for any facilities requiring regulatory approval;

- 5.6.2** Necessary real property rights and rights-of-way have been obtained, to the extent required for the construction of a discrete aspect of Transmission Provider's Interconnection Facilities and Network Upgrades;
- 5.6.3** Transmission Provider has received written authorization to proceed with construction from Interconnection Customer by the date specified in Appendix B, Milestones; and
- 5.6.4** Interconnection Customer has provided security to Transmission Provider in accordance with Article 11.5 by the dates specified in Appendix B, Milestones.
- 5.7 Work Progress.** The Parties will keep each other advised periodically as to the progress of their respective design, procurement and construction efforts. Either Party may, at any time, request a progress report from the other Party. If, at any time, Interconnection Customer determines that the completion of Transmission Provider's Interconnection Facilities will not be required until after the specified In-Service Date, Interconnection Customer will provide written notice to Transmission Provider of such later date upon which the completion of Transmission Provider's Interconnection Facilities will be required.
- 5.8 Information Exchange.** As soon as reasonably practicable after the Effective Date, the Parties shall exchange information regarding the design and compatibility of the Parties' Interconnection Facilities and compatibility of the Interconnection Facilities with Transmission Provider's Transmission System, and shall work diligently and in good faith to make any necessary design changes.
- 5.9 Limited Operation.** If any of Transmission Provider's Interconnection Facilities or Network Upgrades are not reasonably expected to be completed prior to the Commercial Operation Date of the Large Generating Facility, Transmission Provider shall, upon the request and at the expense of Interconnection Customer, perform operating studies on a timely basis to determine the extent to which the Large Generating Facility and Interconnection Customer's Interconnection Facilities may operate prior to the completion of Transmission Provider's Interconnection Facilities or Network Upgrades consistent with Applicable Laws and Regulations, Applicable Reliability Standards, Good Utility Practice and this LGIA. Transmission Provider shall permit Interconnection Customer to operate the Large Generating Facility and Interconnection Customer's Interconnection Facilities in accordance with the results of such studies.

5.10 Interconnection Customer's Interconnection Facilities (ICIF).

Interconnection Customer shall, at its expense, design, procure, construct, own and install the ICIF, as set forth in Appendix A, Interconnection Facilities, Network Upgrades and Distribution Upgrades.

5.10.1 Interconnection Customer's Interconnection Facility

Specifications. Interconnection Customer shall submit initial specifications for the ICIF, including System Protection Facilities, to Transmission Provider at least one hundred eighty (180) Calendar Days prior to the Initial Synchronization Date, and final specifications for review and comment at least ninety (90) Calendar Days prior to the Initial Synchronization Date. Transmission Provider shall review such specifications to ensure that the ICIF are compatible with the technical specifications, operational control and safety requirements of Transmission Provider and comment on such specifications within thirty (30) Calendar Days of Interconnection Customer's submission. All specifications provided hereunder shall be deemed confidential.

5.10.2 Transmission Provider's Review. Transmission Provider's review of Interconnection Customer's final specifications shall not be construed as confirming, endorsing or providing a warranty as to the design, fitness, safety, durability or reliability of the Large Generating Facility, or the ICIF. Interconnection Customer shall make such changes to the ICIF as may reasonably be required by Transmission Provider, in accordance with Good Utility Practice, to ensure that the ICIF are compatible with the technical specifications, operational control and safety requirements of Transmission Provider.

5.10.3 ICIF Construction. The ICIF shall be designed and constructed in accordance with Good Utility Practice. Within one hundred twenty (120) Calendar Days after the Commercial Operation Date, unless the Parties agree on another mutually acceptable deadline, Interconnection Customer shall deliver to Transmission Provider "as-built" drawings, information and documents for the ICIF, such as: a one-line diagram, a site plan showing the Large Generating Facility and the ICIF, plan and elevation drawings showing the layout of the ICIF, a relay functional diagram, relaying AC and DC schematic wiring diagrams and relay settings for all facilities associated with Interconnection Customer's step-up transformers, the facilities connecting the Large Generating Facility to the step-up transformers and the ICIF, and the impedances (determined by factory tests) for the associated step-up transformers and the Large Generating Facility. The Interconnection Customer shall provide Transmission Provider specifications for the excitation system, automatic voltage regulator, Large Generating Facility control and protection settings, transformer tap settings and communications, if applicable.

5.11 Transmission Provider's Interconnection Facilities Construction.

Transmission Provider's Interconnection Facilities shall be designed and constructed in accordance with Good Utility Practice. Upon request, within one hundred twenty (120) Calendar Days after the Commercial Operation Date, unless the Parties agree on another mutually acceptable deadline, Transmission Provider shall deliver to Interconnection Customer the following "as-built" drawings, information and documents for Transmission Provider's Interconnection Facilities: drawings, diagrams, and other information reasonably related to the specifications set forth in Appendix A.

Transmission Provider will obtain control of Transmission Provider's Interconnection Facilities and Stand Alone Network Upgrades upon completion of such facilities.

5.12 Access Rights. Upon reasonable notice and supervision by a Party, and subject to any required or necessary regulatory approvals, a Party ("Granting Party") shall furnish at no cost to the other Party ("Access Party") any rights of use, licenses, rights of way and easements with respect to lands owned or controlled by the Granting Party, its agents (if allowed under the applicable agency agreement), or any Affiliate, that are necessary to enable the Access Party to obtain ingress and egress to construct, operate, maintain, repair, test (or witness testing), inspect, replace or remove facilities and equipment to: (1) interconnect the Large Generating Facility with the Transmission System; (2) operate and maintain the Large Generating Facility, the Interconnection Facilities and the Transmission System; and (3) disconnect or remove the Access Party's facilities and equipment upon termination of this LGIA. In exercising such licenses, rights of way and easements, the Access Party shall not unreasonably disrupt or interfere with normal operation of the Granting Party's business and shall adhere to the safety rules and procedures established in advance, as may be changed from time to time, by the Granting Party and provided to the Access Party.

5.13 Lands of Other Property Owners. If any part of Transmission Provider or Transmission Owner's Interconnection Facilities and/or Network Upgrades is to be installed on property owned by persons other than Interconnection Customer or Transmission Provider or Transmission Owner, Transmission Provider or Transmission Owner shall at Interconnection Customer's expense use efforts similar in nature and extent to those that it typically undertakes on its own behalf or on behalf of its Affiliates, including use of its eminent domain authority, and to the extent consistent with Federal law, to procure from such persons any rights of use, licenses, rights of way and easements that are necessary to construct, operate, maintain, test, inspect, replace or remove Transmission Provider or Transmission Owner's Interconnection Facilities and/or Network Upgrades upon such property.

- 5.14 Permits.** Transmission Provider or Transmission Owner and Interconnection Customer shall cooperate with each other in good faith in obtaining all permits, licenses and authorizations that are necessary to accomplish the interconnection in compliance with Applicable Laws and Regulations. With respect to this paragraph, Transmission Provider or Transmission Owner shall provide permitting assistance to Interconnection Customer comparable to that provided to Transmission Provider's own, or an Affiliate's generation.
- 5.15 Early Construction of Base Case Facilities.** Interconnection Customer may request Transmission Provider to construct, and Transmission Provider shall construct, using Reasonable Efforts to accommodate Interconnection Customer's In-Service Date, all or any portion of any Network Upgrades required for Interconnection Customer to be interconnected to the Transmission System which are included in the Base Case of the Facilities Study for Interconnection Customer, and which also are required to be constructed for another Interconnection Customer, but where such construction is not scheduled to be completed in time to achieve Interconnection Customer's In-Service Date.
- 5.16 Suspension.** Interconnection Customer reserves the right, upon written notice to Transmission Provider, to suspend at any time all work by Transmission Provider associated with the construction and installation of Transmission Provider's Interconnection Facilities and/or Network Upgrades required under this LGIA with the condition that Transmission System shall be left in a safe and reliable condition in accordance with Good Utility Practice and Transmission Provider's safety and reliability criteria. In such event, Interconnection Customer shall be responsible for all reasonable and necessary costs which Transmission Provider: (1) has incurred pursuant to this LGIA prior to the suspension; and (2) incurs in suspending such work, including any costs incurred to perform such work as may be necessary to ensure the safety of persons and property and the integrity of the Transmission System during such suspension and, if applicable, any costs incurred in connection with the cancellation or suspension of material, equipment and labor contracts which Transmission Provider cannot reasonably avoid; provided however, that prior to canceling or suspending any such material, equipment or labor contract, Transmission Provider shall obtain Interconnection Customer's authorization to do so.

Transmission Provider shall invoice Interconnection Customer for such costs pursuant to Article 12 and shall use due diligence to minimize its costs. In the event Interconnection Customer suspends work by Transmission Provider required under this LGIA pursuant to this Article 5.16, and has not requested Transmission Provider to recommence the work required under this LGIA on or before the expiration of three (3) years following commencement of such suspension, this LGIA shall be deemed terminated. The three-year period shall begin on the date the suspension is requested, or the date of the written notice to Transmission Provider, if no effective date is specified.

- 5.17 (Intentionally Omitted).**

5.18 Tax Status. The Transmission Provider shall cooperate with the Interconnection Customer to maintain the Interconnection Customer's tax status. Nothing in this LGIA is intended to adversely affect any Transmission Provider's tax exempt status with respect to the issuance of bonds including, but not limited to, Local Furnishing Bonds.

5.19 Modification.

5.19.1 General. Either Party may undertake modifications to its facilities. If a Party plans to undertake a modification that reasonably may be expected to affect the other Party's facilities, that Party shall provide to the other Party sufficient information regarding such modification so that the other Party may evaluate the potential impact of such modification prior to commencement of the work. Such information shall be deemed to be confidential hereunder and shall include information concerning the timing of such modifications and whether such modifications are expected to interrupt the flow of electricity from the Large Generating Facility. The Party desiring to perform such work shall provide the relevant drawings, plans and specifications to the other Party at least ninety (90) Calendar Days in advance of the commencement of the work or such shorter period upon which the Parties may agree, which agreement shall not unreasonably be withheld, conditioned or delayed.

In the case of Large Generating Facility modifications that do not require Interconnection Customer to submit an Interconnection Request, Transmission Provider shall provide, within thirty (30) Calendar Days (or such other time as the Parties may agree), an estimate of any additional modifications to the Transmission System, Transmission Provider's Interconnection Facilities or Network Upgrades necessitated by such Interconnection Customer modification and a good faith estimate of the costs thereof.

5.19.2 Standards. Any additions, modifications or replacements made to a Party's facilities shall be designed, constructed and operated in accordance with this LGIA and Good Utility Practice.

5.19.3 Modification Costs. Interconnection Customer shall not be directly assigned for the costs of any additions, modifications or replacements that Transmission Provider makes to Transmission Provider's Interconnection Facilities or the Transmission System to facilitate the interconnection of a third party to Transmission Provider's Interconnection Facilities or the Transmission System, or to provide transmission service to a third party under Transmission Provider's Tariff. Interconnection Customer shall be responsible for the costs of any additions, modifications or replacements to Interconnection Customer's Interconnection Facilities that may be necessary to maintain or upgrade such Interconnection Customer's Interconnection Facilities consistent with Applicable Laws and Regulations, Applicable Reliability Standards or Good Utility Practice.

Article 6. Testing and Inspection

- 6.1 Pre-Commercial Operation Date Testing and Modifications.** Prior to the Commercial Operation Date, Transmission Provider shall test Transmission Provider's Interconnection Facilities and Network Upgrades and Interconnection Customer shall test the Large Generating Facility and Interconnection Customer's Interconnection Facilities to ensure their safe and reliable operation. Similar testing may be required after initial operation. Each Party shall make any modifications to its facilities that are found to be necessary as a result of such testing. Interconnection Customer shall bear the cost of all such testing and modifications. Interconnection Customer shall generate test energy at the Large Generating Facility only if it has arranged for the delivery of such test energy.
- 6.2 Post-Commercial Operation Date Testing and Modifications.** Each Party shall at its own expense perform routine inspection and testing of its facilities and equipment in accordance with Good Utility Practice as may be necessary to ensure the continued interconnection of the Large Generating Facility with the Transmission System in a safe and reliable manner. Each Party shall have the right, upon advance written notice, to require reasonable additional testing of the other Party's facilities, at the requesting Party's expense, as may be in accordance with Good Utility Practice.
- 6.3 Right to Observe Testing.** Each Party shall notify the other Party in advance of its performance of tests of its Interconnection Facilities. The other Party has the right, at its own expense, to observe such testing.
- 6.4 Right to Inspect.** Each Party shall have the right, but shall have no obligation to: (1) observe the other Party's tests and/or inspection of any of its System Protection Facilities and other protective equipment, including Power System Stabilizers; (2) review the settings of the other Party's System Protection Facilities and other protective equipment; and (3) review the other Party's maintenance records relative to the Interconnection Facilities, the System Protection Facilities and other protective equipment. A Party may exercise these rights from time to time as it deems necessary upon reasonable notice to the other Party. The exercise or non-exercise by a Party of any such rights shall not be construed as an endorsement or confirmation of any element or condition of the Interconnection Facilities or the System Protection Facilities or other protective equipment or the operation thereof, or as a warranty as to the fitness, safety, desirability or reliability of same. Any information that a Party obtains through the exercise of any of its rights under this Article 6.4 shall be deemed to be Confidential Information and treated pursuant to Article 22 of this LGIA.

Article 7. Metering

- 7.1 General.** Each Party shall comply with the Applicable Reliability Council requirements. Unless otherwise agreed by the Parties, Transmission Provider shall install Metering Equipment at the Point of Interconnection prior to any operation of the Large Generating Facility and shall own, operate, test and maintain such

Metering Equipment. Power flows to and from the Large Generating Facility shall be measured at or, at Transmission Provider's option, compensated to, the Point of Interconnection. Transmission Provider shall provide metering quantities, in analog and/or digital form, to Interconnection Customer upon request. Interconnection Customer shall bear all reasonable documented costs associated with the purchase, installation, operation, testing and maintenance of the Metering Equipment.

- 7.2 Check Meters.** Interconnection Customer, at its option and expense, may install and operate, on its premises and on its side of the Point of Interconnection, one or more check meters to check Transmission Provider's meters. Such check meters shall be for check purposes only and shall not be used for the measurement of power flows for purposes of this LGIA, except as provided in Article 7.4 below. The check meters shall be subject at all reasonable times to inspection and examination by Transmission Provider or its designee. The installation, operation and maintenance thereof shall be performed entirely by Interconnection Customer in accordance with Good Utility Practice.
- 7.3 Standards.** Transmission Provider shall install, calibrate and test revenue quality Metering Equipment in accordance with applicable ANSI standards.
- 7.4 Testing of Metering Equipment.** Transmission Provider shall inspect and test all Transmission Provider-owned Metering Equipment upon installation and at least once every two (2) years thereafter. If requested to do so by Interconnection Customer, Transmission Provider shall, at Interconnection Customer's expense, inspect or test Metering Equipment more frequently than every two (2) years. Transmission Provider shall give reasonable notice of the time when any inspection or test shall take place, and Interconnection Customer may have representatives present at the test or inspection. If at any time Metering Equipment is found to be inaccurate or defective, it shall be adjusted, repaired or replaced at Interconnection Customer's expense, in order to provide accurate metering, unless the inaccuracy or defect is due to Transmission Provider's failure to maintain, then Transmission Provider shall pay. If Metering Equipment fails to register, or if the measurement made by Metering Equipment during a test varies by more than two (2) percent from the measurement made by the standard meter used in the test, Transmission Provider shall adjust the measurements by correcting all measurements for the period during which Metering Equipment was in error by using Interconnection Customer's check meters, if installed. If no such check meters are installed or if the period cannot be reasonably ascertained, the adjustment shall be for the period immediately preceding the test of the Metering Equipment equal to one-half the time from the date of the last previous test of the Metering Equipment.
- 7.5 Metering Data.** At Interconnection Customer's expense, the metered data shall be telemetered to one or more locations designated by Transmission Provider and one or more locations designated by Interconnection Customer. Such telemetered data shall be used, under normal operating conditions, as the official measurement of the amount of energy delivered from the Large Generating Facility to the Point of Interconnection.

Article 8. Communications

8.1 Interconnection Customer Obligations. Interconnection Customer shall maintain satisfactory operating communications with Transmission Provider's Transmission System dispatcher or representative designated by Transmission Provider. Interconnection Customer shall provide standard voice line, dedicated voice line and facsimile communications at its Large Generating Facility control room or central dispatch facility through use of either the public telephone system, or a voice communications system that does not rely on the public telephone system. Interconnection Customer shall also provide the dedicated data circuit(s) necessary to provide Interconnection Customer data to Transmission Provider as set forth in Appendix D, Security Arrangements Details. The data circuit(s) shall extend from the Large Generating Facility to the location(s) specified by Transmission Provider. Any required maintenance of such communications equipment shall be performed by Interconnection Customer. Operational communications shall be activated and maintained under, but not be limited to, the following events: system paralleling or separation, scheduled and unscheduled shutdowns, equipment clearances and hourly and daily load data.

8.2 Remote Terminal Unit. Prior to the Initial Synchronization Date of the Large Generating Facility, a Remote Terminal Unit or equivalent data collection and transfer equipment acceptable to the Parties, shall be installed by Interconnection Customer, or by Transmission Provider at Interconnection Customer's expense, to gather accumulated and instantaneous data to be telemetered to the location(s) designated by Transmission Provider through use of a dedicated point-to-point data circuit(s) as indicated in Article 8.1. The communication protocol for the data circuit(s) shall be specified by Transmission Provider. Instantaneous bi-directional analog real power and reactive power flow information must be telemetered directly to the location(s) specified by Transmission Provider.

Each Party will promptly advise the other Party if it detects or otherwise learns of any metering, telemetry or communications equipment errors or malfunctions that require the attention and/or correction by the other Party. The Party owning such equipment shall correct such error or malfunction as soon as reasonably feasible.

8.3 No Annexation. Any and all equipment placed on the premises of a Party shall be and remain the property of the Party providing such equipment regardless of the mode and manner of annexation or attachment to real property, unless otherwise mutually agreed by the Parties.

Article 9. Operations

9.1 General. Each Party shall comply with the Applicable Reliability Council requirements. Each Party shall provide to the other Party all information that may reasonably be required by the other Party to comply with Applicable Laws and Regulations and Applicable Reliability Standards.

- 9.2 Control Area Notification.** At least three (3) months before Initial Synchronization Date, Interconnection Customer shall notify Transmission Provider in writing of the Control Area in which the Large Generating Facility will be located. If Interconnection Customer elects to locate the Large Generating Facility in a Control Area other than the Control Area in which the Large Generating Facility is physically located, and if permitted to do so by the relevant transmission tariffs, all necessary arrangements, including but not limited to those set forth in Article 7 and Article 8 of this LGIA, and remote Control Area generator interchange agreements, if applicable, and the appropriate measures under such agreements, shall be executed and implemented prior to the placement of the Large Generating Facility in the other Control Area.
- 9.3 Transmission Provider Obligations.** Transmission Provider shall cause the Transmission System and Transmission Provider's Interconnection Facilities to be operated, maintained and controlled in a safe and reliable manner and in accordance with this LGIA. Transmission Provider may provide operating instructions to Interconnection Customer consistent with this LGIA and Transmission Provider's operating protocols and procedures as they may change from time to time. Transmission Provider will consider changes to its operating protocols and procedures proposed by Interconnection Customer.
- 9.4 Interconnection Customer Obligations.** Interconnection Customer shall at its own expense operate, maintain and control the Large Generating Facility and Interconnection Customer's Interconnection Facilities in a safe and reliable manner and in accordance with this LGIA. Interconnection Customer shall operate the Large Generating Facility and Interconnection Customer's Interconnection Facilities in accordance with all applicable requirements of the Control Area of which it is part, as such requirements are set forth in Appendix C, Interconnection Details, of this LGIA. Appendix C, Interconnection Details, will be modified to reflect changes to the requirements as they may change from time to time. Either Party may request that the other Party provide copies of the requirements set forth in Appendix C, Interconnection Details, of this LGIA.
- 9.5 Start-Up and Synchronization.** Consistent with the Parties' mutually acceptable procedures, Interconnection Customer is responsible for the proper synchronization of the Large Generating Facility to Transmission Provider's Transmission System.
- 9.6 Reactive Power.**
- 9.6.1 Power Factor Design Criteria.** Interconnection Customer shall design the Large Generating Facility to maintain a composite power delivery at continuous rated power output at the Point of Interconnection at a power factor within the range of 0.95 leading to 0.95 lagging, unless Transmission Provider has established different requirements that apply to all generators in the Control Area on a comparable basis. The requirements of this paragraph shall not apply to wind generators.

9.6.2 Voltage Schedules. Once Interconnection Customer has synchronized the Large Generating Facility with the Transmission System, Transmission Provider shall require Interconnection Customer to operate the Large Generating Facility to produce or absorb reactive power within the design limitations of the Large Generating Facility set forth in Article 9.6.1 (Power Factor Design Criteria). Transmission Provider's voltage schedules shall treat all sources of reactive power in the Control Area in an equitable and not unduly discriminatory manner. Transmission Provider shall exercise Reasonable Efforts to provide Interconnection Customer with such schedules at least one (1) day in advance and may make changes to such schedules as necessary to maintain the reliability of the Transmission System. Interconnection Customer shall operate the Large Generating Facility to maintain the specified output voltage or power factor at the Point of Interconnection within the design limitations of the Large Generating Facility set forth in Article 9.6.1 (Power Factor Design Criteria). If Interconnection Customer is unable to maintain the specified voltage or power factor, it shall promptly notify the System Operator.

9.6.2.1 Governors and Regulators. Whenever the Large Generating Facility is operated in parallel with the Transmission System and the speed governors (if installed on the generating unit pursuant to Good Utility Practice) and voltage regulators are capable of operation, Interconnection Customer shall operate the Large Generating Facility with its speed governors and voltage regulators in automatic operation. If the Large Generating Facility's speed governors and voltage regulators are not capable of such automatic operation, Interconnection Customer shall immediately notify Transmission Provider's system operator, or its designated representative, and ensure that such Large Generating Facility's reactive power production or absorption (measured in MVARs) are within the design capability of the Large Generating Facility's generating unit(s) and steady state stability limits. Interconnection Customer shall not cause its Large Generating Facility to disconnect automatically or instantaneously from the Transmission System or trip any generating unit comprising the Large Generating Facility for an under- or over-frequency condition unless the abnormal frequency condition persists for a time period beyond the limits set forth in ANSI/IEEE Standard C37.106, or such other standard as applied to other generators in the Control Area on a comparable basis.

9.6.3 Payment for Reactive Power. Transmission Provider is required to pay Interconnection Customer for reactive power that Interconnection Customer provides or absorbs from the Large Generating Facility when Transmission Provider requests Interconnection Customer to operate its Large Generating Facility outside the range specified in Article 9.6.1, provided that if Transmission Provider pays its own or affiliated generators for reactive power service within the specified range, it must also pay Interconnection Customer. Payments shall be pursuant to Article 11.6 or such other agreement to which the Parties have otherwise agreed.

9.7 Outages and Interruptions.

9.7.1 Outages.

9.7.1.1 Outage Authority and Coordination. Each Party may in accordance with Good Utility Practice in coordination with the other Party remove from service any of its respective Interconnection Facilities or Network Upgrades that may impact the other Party's facilities as necessary to perform maintenance or testing or to install or replace equipment. Absent an Emergency Condition, the Party scheduling a removal of such facility(ies) from service will use Reasonable Efforts to schedule such removal on a date and time mutually acceptable to the Parties. In all circumstances, any Party planning to remove such facility(ies) from service shall use Reasonable Efforts to minimize the effect on the other Party of such removal.

9.7.1.2 Outage Schedules. Transmission Provider shall post scheduled outages of its transmission facilities on the Open Access Same-Time Information System (OASIS). Interconnection Customer shall submit its planned maintenance schedules for the Large Generating Facility to Transmission Provider for a minimum of a rolling twenty-four (24) month period. Interconnection Customer shall update its planned maintenance schedules as necessary. Transmission Provider may request Interconnection Customer to reschedule its maintenance as necessary to maintain the reliability of the Transmission System; provided however, adequacy of generation supply shall not be a criterion in determining Transmission System reliability. Transmission Provider shall compensate Interconnection Customer for any additional direct costs that Interconnection Customer incurs as a result of having to reschedule maintenance, including any additional overtime, breaking of maintenance contracts or other costs above and beyond the cost Interconnection Customer would have incurred absent

Transmission Provider's request to reschedule maintenance. Interconnection Customer will not be eligible to receive compensation, if during the twelve (12) months prior to the date of the scheduled maintenance, Interconnection Customer had modified its schedule of maintenance activities.

9.7.1.3 Outage Restoration. If an outage on a Party's Interconnection Facilities or Network Upgrades adversely affects the other Party's operations or facilities, the Party that owns or controls the facility that is out of service shall use Reasonable Efforts to promptly restore such facility(ies) to a normal operating condition consistent with the nature of the outage. The Party that owns or controls the facility that is out of service shall provide the other Party, to the extent such information is known, information on the nature of the Emergency Condition, an estimated time of restoration, and any corrective actions required. Initial verbal notice shall be followed up as soon as practicable with written notice explaining the nature of the outage.

9.7.2 Interruption of Service. If required by Good Utility Practice to do so, Transmission Provider may require Interconnection Customer to interrupt or reduce deliveries of electricity if such delivery of electricity could adversely affect Transmission Provider's ability to perform such activities as are necessary to safely and reliably operate and maintain the Transmission System. The following provisions shall apply to any interruption or reduction permitted under this Article 9.7.2:

9.7.2.1 The interruption or reduction shall continue only for so long as reasonably necessary under Good Utility Practice.

9.7.2.2 Any such interruption or reduction shall be made on an equitable, non-discriminatory basis with respect to all generating facilities directly connected to the Transmission System.

9.7.2.3 When the interruption or reduction must be made under circumstances which do not allow for advance notice, Transmission Provider shall notify Interconnection Customer by telephone as soon as practicable of the reasons for the curtailment, interruption, or reduction; and, if known, its expected duration. Telephone notification shall be followed by written notification as soon as practicable.

9.7.2.4 Except during the existence of an Emergency Condition, when the interruption or reduction can be scheduled without advance notice, Transmission Provider shall notify Interconnection Customer in advance regarding the timing of such scheduling and further notify Interconnection Customer of the expected duration. Transmission Provider shall coordinate with Interconnection Customer using Good Utility Practice to schedule the interruption or reduction during periods of least impact to Interconnection Customer and Transmission Provider.

9.7.2.5 The Parties shall cooperate and coordinate with each other to the extent necessary in order to restore the Large Generating Facility, Interconnection Facilities and the Transmission System to their normal operating state, consistent with system conditions and Good Utility Practice.

9.7.3 Under-Frequency and Over-Frequency Conditions. The Transmission System is designed to automatically activate a load-shed program as required by the Applicable Reliability Council in the event of an under-frequency system disturbance. Interconnection Customer shall implement under-frequency and over-frequency relay set points for the Large Generating Facility as required by the Applicable Reliability Council to ensure "ride through" capability of the Transmission System. Large Generating Facility response to frequency deviations of pre-determined magnitudes, both under-frequency and over-frequency deviations, shall be studied and coordinated with Transmission Provider in accordance with Good Utility Practice. The term "ride through" as used herein shall mean the ability of a Generating Facility to stay connected to and synchronized with the Transmission System during system disturbances within a range of under-frequency and over-frequency conditions, in accordance with Good Utility Practice.

9.7.4 System Protection and Other Control Requirements.

9.7.4.1 System Protection Facilities. Interconnection Customer shall, at its expense, install, operate and maintain System Protection Facilities as a part of the Large Generating Facility or Interconnection Customer's Interconnection Facilities. Transmission Provider shall install at Interconnection Customer's expense any System Protection Facilities that may be required on Transmission Provider's Interconnection Facilities or the Transmission System as a result of the interconnection of the Large Generating Facility and Interconnection Customer's Interconnection Facilities.

9.7.4.2 Each Party's protection facilities shall be designed and coordinated with other systems in accordance with Good Utility Practice.

- 9.7.4.3 Each Party shall be responsible for protection of its facilities consistent with Good Utility Practice.
- 9.7.4.4 Each Party's protective relay design shall incorporate the necessary test switches to perform the tests required in Article 6. The required test switches will be placed such that they allow operation of lockout relays while preventing breaker failure schemes from operating and causing unnecessary breaker operations and/or the tripping of Interconnection Customer's units.
- 9.7.4.5 Each Party will test, operate and maintain System Protection Facilities in accordance with Good Utility Practice.
- 9.7.4.6 Prior to the In-Service Date, and again prior to the Commercial Operation Date, each Party or its agent shall perform a complete calibration test and functional trip test of the System Protection Facilities. At intervals suggested by Good Utility Practice and following any apparent malfunction of the System Protection Facilities, each Party shall perform both calibration and functional trip tests of its System Protection Facilities. These tests do not require the tripping of any in-service generation unit. These tests do, however, require that all protective relays and lockout contacts be activated.

9.7.5 Requirements for Protection. In compliance with Good Utility Practice, Interconnection Customer shall provide, install, own and maintain relays, circuit breakers and all other devices necessary to remove any fault contribution of the Large Generating Facility to any short circuit occurring on the Transmission System not otherwise isolated by Transmission Provider's equipment, such that the removal of the fault contribution shall be coordinated with the protective requirements of the Transmission System. Such protective equipment shall include, without limitation, a disconnecting device or switch with load-interrupting capability located between the Large Generating Facility and the Transmission System at a site selected upon mutual agreement (not to be unreasonably withheld, conditioned or delayed) of the Parties. Interconnection Customer shall be responsible for protection of the Large Generating Facility and Interconnection Customer's other equipment from such conditions as negative sequence currents, over- or under-frequency, sudden load rejection, over- or under-voltage and generator loss-of-field. Interconnection Customer shall be solely responsible to disconnect the Large Generating Facility and Interconnection Customer's other equipment if conditions on the Transmission System could adversely affect the Large Generating Facility.

- 9.7.6 Power Quality.** Neither Party's facilities shall cause excessive voltage flicker nor introduce excessive distortion to the sinusoidal voltage or current waves as defined by ANSI Standard C84.1-1989, in accordance with IEEE Standard 519, or any applicable superseding electric industry standard. In the event of a conflict between ANSI Standard C84.1-1989, or any applicable superseding electric industry standard, ANSI Standard C84.1-1989, or the applicable superseding electric industry standard, shall control.
- 9.8 Switching and Tagging Rules.** Each Party shall provide the other Party a copy of its switching and tagging rules that are applicable to the other Party's activities. Such switching and tagging rules shall be developed on a non-discriminatory basis. The Parties shall comply with applicable switching and tagging rules, as amended from time to time, in obtaining clearances for work or for switching operations on equipment.
- 9.9 Use of Interconnection Facilities by Third Parties.**
- 9.9.1 Purpose of Interconnection Facilities.** Except as may be required by Applicable Laws and Regulations, or as otherwise agreed to among the Parties, the Interconnection Facilities shall be constructed for the sole purpose of interconnecting the Large Generating Facility to the Transmission System and shall be used for no other purpose.
- 9.9.2 Third Party Users.** If required by Applicable Laws and Regulations or if the Parties mutually agree, such agreement not to be unreasonably withheld, to allow one or more third parties to use Transmission Provider's Interconnection Facilities, or any part thereof, Interconnection Customer will be entitled to compensation for the capital expenses it incurred in connection with the Interconnection Facilities based upon the pro rata use of the Interconnection Facilities by Transmission Provider, all third party users and Interconnection Customer, in accordance with Applicable Laws and Regulations or upon some other mutually agreed upon methodology. In addition, cost responsibility for ongoing costs, including operation and maintenance costs associated with the Interconnection Facilities, will be allocated between Interconnection Customer and any third party users based upon the pro rata use of the Interconnection Facilities by Transmission Provider, all third party users and Interconnection Customer, in accordance with Applicable Laws and Regulations or upon some other mutually agreed upon methodology. If the issue of such compensation or allocation cannot be resolved through such negotiations, it shall be submitted to FERC for resolution.
- 9.10 Disturbance Analysis Data Exchange.** The Parties will cooperate with one another in the analysis of disturbances to either the Large Generating Facility or Transmission Provider's Transmission System by gathering and providing access to any information relating to any disturbance, including information from oscillography, protective relay targets, breaker operations and sequence of events records and any disturbance information required by Good Utility Practice.

Article 10. Maintenance

- 10.1 Transmission Provider Obligations.** Transmission Provider shall maintain the Transmission System and Transmission Provider's Interconnection Facilities in a safe and reliable manner and in accordance with this LGIA.
- 10.2 Interconnection Customer Obligations.** Interconnection Customer shall maintain the Large Generating Facility and Interconnection Customer's Interconnection Facilities in a safe and reliable manner and in accordance with this LGIA.
- 10.3 Coordination.** The Parties shall confer regularly to coordinate the planning, scheduling and performance of preventive and corrective maintenance on the Large Generating Facility and the Interconnection Facilities.
- 10.4 Secondary Systems.** Each Party shall cooperate with the other in the inspection, maintenance and testing of control or power circuits that operate below 600 volts, AC or DC, including, but not limited to, any hardware, control or protective devices, cables, conductors, electric raceways, secondary equipment panels, transducers, batteries, chargers and voltage and current transformers that directly affect the operation of a Party's facilities and equipment which may reasonably be expected to impact the other Party. Each Party shall provide advance notice to the other Party before undertaking any work on such circuits, especially on electrical circuits involving circuit breaker trip and close contacts, current transformers or potential transformers.
- 10.5 Operating and Maintenance Expenses.** Subject to the provisions herein addressing the use of facilities by others, and except for operations and maintenance expenses associated with modifications made for providing interconnection or transmission service to a third party and such third party pays for such expenses, Interconnection Customer shall be responsible for all reasonable expenses including overheads, associated with: (1) owning, operating, maintaining, repairing and replacing Interconnection Customer's Interconnection Facilities; and (2) operation, maintenance, repair and replacement of Transmission Provider's Interconnection Facilities.

Article 11. Performance Obligation

- 11.1 Interconnection Customer Interconnection Facilities.** Interconnection Customer shall design, procure, construct, install, own and/or control Interconnection Customer Interconnection Facilities described in Appendix A, Interconnection Facilities, Network Upgrades and Distribution Upgrades, at its sole expense.

11.2 Transmission Provider's Interconnection Facilities. Transmission Provider or Transmission Owner shall design, procure, construct, install, own and/or control the Transmission Provider's Interconnection Facilities described in Appendix A, Interconnection Facilities, Network Upgrades and Distribution Upgrades, at the sole expense of the Interconnection Customer.

11.3 Network Upgrades and Distribution Upgrades. Transmission Provider or Transmission Owner shall design, procure, construct, install and own the Network Upgrades and Distribution Upgrades described in Appendix A, Interconnection Facilities, Network Upgrades and Distribution Upgrades. The Interconnection Customer shall be responsible for all costs related to Distribution Upgrades. Unless Transmission Provider or Transmission Owner elects to fund the capital for the Network Upgrades, they shall be solely funded by Interconnection Customer.

11.4 Transmission Credits.

11.4.1 Repayment of Amounts Advanced for Network Upgrades.

Interconnection Customer shall be entitled to a cash repayment, equal to the total amount paid to Transmission Provider and Affected System Operator, if any, for the Network Upgrades, to be paid to Interconnection Customer on a dollar-for-dollar basis for the non-usage sensitive portion of transmission charges, as payments are made under Transmission Provider's Tariff and Affected System's Tariff for transmission services with respect to the Large Generating Facility. Any repayment shall include interest calculated at the rate for ten-year bonds posted on Bloomberg, L.P. under the United States Government Agency fair market yield curve (yield curve number 84) as in effect on the first day of the month during which the Transmission Provider receives the first payment for Network Upgrades, such interest to accrue from the date of any payment for Network Upgrades through the date on which the Interconnection Customer receives a repayment of such payment pursuant to this subparagraph. Interconnection Customer may assign such repayment rights to any person.

Notwithstanding the foregoing, Interconnection Customer, Transmission Provider and Affected System Operator may adopt any alternative payment schedule that is mutually agreeable so long as Transmission Provider and Affected System Operator take one of the following actions no later than five (5) years from the Commercial Operation Date: (1) return to Interconnection Customer any amounts advanced for Network Upgrades not previously repaid; or (2) declare in writing that Transmission Provider or Affected System Operator will continue to provide payments to Interconnection Customer on a dollar-for-dollar basis for the non-usage sensitive portion of transmission charges, or develop an alternative schedule that is mutually agreeable and provides for the return of all amounts advanced for Network Upgrades not previously repaid; however, full reimbursement shall not extend beyond twenty (20) years from the Commercial Operation Date.

If the Large Generating Facility fails to achieve commercial operation, but it or another Generating Facility is later constructed and makes use of the Network Upgrades, Transmission Provider and Affected System Operator shall at that time reimburse Interconnection Customer for the amounts advanced for the Network Upgrades. Before any such reimbursement can occur, the Interconnection Customer, or the entity that ultimately constructs the Generating Facility, if different, is responsible for identifying the entity to which reimbursement must be made.

11.4.2 Special Provisions for Affected Systems. Unless Transmission Provider provides, under the LGIA, for the repayment of amounts advanced to Affected System Operator for Network Upgrades, Interconnection Customer and Affected System Operator shall enter into an agreement that provides for such repayment. The agreement shall specify the terms governing payments to be made by Interconnection Customer to the Affected System Operator as well as the repayment by the Affected System Operator.

11.4.3 Notwithstanding any other provision of this LGIA, nothing herein shall be construed as relinquishing or foreclosing any rights, including but not limited to firm transmission rights, capacity rights, transmission congestion rights, or transmission credits, that Interconnection Customer, shall be entitled to, now or in the future under any other agreement or tariff as a result of, or otherwise associated with, the transmission capacity, if any, created by the Network Upgrades, including the right to obtain cash reimbursements or transmission credits for transmission service that is not associated with the Large Generating Facility.

11.5 Provision of Security. At least thirty (30) Calendar Days prior to the commencement of the procurement, installation or construction of a discrete portion of a Transmission Provider's Interconnection Facilities, Network Upgrades or Distribution Upgrades, Interconnection Customer shall provide Transmission Provider, at Interconnection Customer's option, a guarantee, a surety bond, letter of credit or other form of security that is reasonably acceptable to Transmission Provider. Such security for payment shall be in an amount sufficient to cover the costs for constructing, procuring and installing the applicable portion of Transmission Provider's Interconnection Facilities, Network Upgrades, or Distribution Upgrades and shall be reduced on a dollar-for-dollar basis for payments made to Transmission Provider for these purposes.

In addition:

11.5.1 The guarantee must be made by an entity that meets the creditworthiness requirements of Transmission Provider, and contain terms and conditions that guarantee payment of any amount that may be due from Interconnection Customer, up to an agreed-to maximum amount.

11.5.2 The letter of credit must be issued by a financial institution reasonably acceptable to Transmission Provider and must specify a reasonable expiration date.

11.5.3 The surety bond must be issued by an insurer reasonably acceptable to Transmission Provider and must specify a reasonable expiration date.

11.6 Interconnection Customer Compensation. If Transmission Provider requests or directs Interconnection Customer to provide a service pursuant to Article 9.6.3, Payment for Reactive Power or Article 13.5.1 of this LGIA, Transmission Provider shall compensate Interconnection Customer in accordance with Interconnection Customer's applicable rate schedule then in effect unless the provision of such service(s) is subject to an RTO or ISO FERC-approved rate schedule. Interconnection Customer shall serve Transmission Provider or RTO or ISO with any filing of a proposed rate schedule at the time of such filing with FERC. To the extent that no rate schedule is in effect at the time the Interconnection Customer is required to provide or absorb any Reactive Power under this LGIA, Transmission Provider agrees to compensate Interconnection Customer in such amount as would have been due Interconnection Customer had the rate schedule been in effect at the time service commenced; provided however, that such rate schedule must be filed at FERC or other appropriate Governmental Authority within sixty (60) Calendar Days of the commencement of service.

11.6.1 Interconnection Customer Compensation for Actions during Emergency Condition. Transmission Provider or RTO or ISO shall compensate Interconnection Customer for its provision of real and reactive power and other Emergency Condition services that Interconnection Customer provides to support the Transmission System during an Emergency Condition in accordance with Article 11.6.

Article 12. Invoice

12.1 General. Each Party shall submit to the other Party, on a monthly basis, invoices of amounts due for the preceding month. Each invoice shall state the month to which the invoice applies and fully describe the services and equipment provided. The Parties may discharge mutual debts and payment obligations due and owing to each other on the same date through netting, in which case all amounts a Party owes to the other Party under this LGIA, including interest payments or credits, shall be netted so that only the net amount remaining due shall be paid by the owing Party.

- 12.2 Final Invoice.** Within six (6) months after completion of the construction of the Transmission Provider's Interconnection Facilities and the Network Upgrades, Transmission Provider shall provide an invoice of the final cost of the construction of the Transmission Provider's Interconnection Facilities and the Network Upgrades and shall set forth such costs in sufficient detail to enable Interconnection Customer to compare the actual costs with the estimates and to ascertain deviations, if any, from the cost estimates. Transmission Provider shall refund to Interconnection Customer any amount by which the actual payment by Interconnection Customer for estimated costs exceeds the actual costs of construction within thirty (30) Calendar Days of the issuance of such final construction invoice.
- 12.3 Payment.** Invoices shall be rendered to the paying Party at the address specified in Appendix F, Addresses for Delivery of Notices and Billings. The Party receiving the invoice shall pay the invoice within thirty (30) Calendar Days of receipt. All payments shall be made in immediately available funds payable to the other Party, or by wire transfer to a bank named and account designated by the invoicing Party. Payment of invoices by either Party will not constitute a waiver of any rights or claims either Party may have under this LGIA.
- 12.4 Disputes.** In the event of a billing dispute between Transmission Provider and Interconnection Customer, Transmission Provider shall continue to provide Interconnection Service under this LGIA as long as Interconnection Customer: (1) continues to make all payments not in dispute; and (2) pays to Transmission Provider or into an independent escrow account the portion of the invoice in dispute, pending resolution of such dispute. If Interconnection Customer fails to meet these two requirements for continuation of service, then Transmission Provider may provide notice to Interconnection Customer of a Default pursuant to Article 17. Within thirty (30) Calendar Days after the resolution of the dispute, the Party that owes money to the other Party shall pay the amount due with interest calculated in accord with the methodology set forth in FERC's regulations at 18 CFR § 35.19a (a)(2)(iii).

Article 13. Emergencies

- 13.1 Definition.** "Emergency Condition" shall mean a condition or situation: (1) that in the judgment of the Party making the claim is imminently likely to endanger life or property; or (2) that, in the case of Transmission Provider, is imminently likely (as determined in a non-discriminatory manner) to cause a material adverse effect on the security of, or damage to the Transmission System, Transmission Provider's Interconnection Facilities or the Transmission Systems of others to which the Transmission System is directly connected; or (3) that, in the case of Interconnection Customer, is imminently likely (as determined in a non-discriminatory manner) to cause a material adverse effect on the security of, or damage to, the Large Generating Facility or Interconnection Customer's Interconnection Facilities' System restoration and black start shall be considered Emergency Conditions; provided, that Interconnection Customer is not obligated by this LGIA to possess black start capability.

13.2 Obligations. Each Party shall comply with the Emergency Condition procedures of the applicable ISO/RTO, NERC, the Applicable Reliability Council, Applicable Laws and Regulations and any emergency procedures agreed to by the Joint Operating Committee.

13.3 Notice. Transmission Provider shall notify Interconnection Customer promptly when it becomes aware of an Emergency Condition that affects Transmission Provider's Interconnection Facilities or the Transmission System that may reasonably be expected to affect Interconnection Customer's operation of the Large Generating Facility or Interconnection Customer's Interconnection Facilities. Interconnection Customer shall notify Transmission Provider promptly when it becomes aware of an Emergency Condition that affects the Large Generating Facility or Interconnection Customer's Interconnection Facilities that may reasonably be expected to affect the Transmission System or Transmission Provider's Interconnection Facilities. To the extent information is known, the notification shall describe the Emergency Condition, the extent of the damage or deficiency, the expected effect on the operation of Interconnection Customer's or Transmission Provider's facilities and operations, its anticipated duration and the corrective action taken and/or to be taken. The initial notice shall be followed as soon as practicable with written notice.

13.4 Immediate Action. Unless, in Interconnection Customer's reasonable judgment, immediate action is required, Interconnection Customer shall obtain the consent of Transmission Provider, such consent to not be unreasonably withheld, prior to performing any manual switching operations at the Large Generating Facility or Interconnection Customer's Interconnection Facilities in response to an Emergency Condition either declared by Transmission Provider or otherwise regarding the Transmission System.

13.5 Transmission Provider Authority.

13.5.1 General. Transmission Provider may take whatever actions or inactions with regard to the Transmission System or Transmission Provider's Interconnection Facilities it deems necessary during an Emergency Condition in order to: (1) preserve public health and safety; (2) preserve the reliability of the Transmission System or Transmission Provider's Interconnection Facilities; (3) limit or prevent damage; and (4) expedite restoration of service.

Transmission Provider shall use Reasonable Efforts to minimize the effect of such actions or inactions on the Large Generating Facility or Interconnection Customer's Interconnection Facilities. Transmission Provider may, on the basis of technical considerations, require the Large Generating Facility to mitigate an Emergency Condition by taking actions necessary and limited in scope to remedy the Emergency Condition, including, but not limited to, directing Interconnection Customer to shut-down, start-up, increase or decrease the real or reactive power output of the Large Generating Facility, implementing a reduction or

disconnection pursuant to Article 13.5.2, directing Interconnection Customer to assist with black start (if available) or restoration efforts, or altering the outage schedules of the Large Generating Facility and Interconnection Customer's Interconnection Facilities. Interconnection Customer shall comply with all of Transmission Provider's operating instructions concerning Large Generating Facility real power and reactive power output within the manufacturer's design limitations of the Large Generating Facility's equipment that is in service and physically available for operation at the time, in compliance with Applicable Laws and Regulations.

13.5.2 Reduction and Disconnection. Transmission Provider may reduce Interconnection Service or disconnect the Large Generating Facility or Interconnection Customer's Interconnection Facilities, when such, reduction or disconnection is necessary under Good Utility Practice due to Emergency Conditions. These rights are separate and distinct from any right of curtailment of Transmission Provider pursuant to Transmission Provider's Tariff. When Transmission Provider can schedule the reduction or disconnection in advance, Transmission Provider shall notify Interconnection Customer of the reasons, timing and expected duration of the reduction or disconnection. Transmission Provider shall coordinate with Interconnection Customer using Good Utility Practice to schedule the reduction or disconnection during periods of least impact to Interconnection Customer and Transmission Provider. Any reduction or disconnection shall continue only for so long as reasonably necessary under Good Utility Practice. The Parties shall cooperate with each other to restore the Large Generating Facility, the Interconnection Facilities and the Transmission System to their normal operating state as soon as practicable consistent with Good Utility Practice.

13.6 Interconnection Customer Authority. Consistent with Good Utility Practice and the LGIA and the LGIP, Interconnection Customer may take actions or inactions with regard to the Large Generating Facility or Interconnection Customer's Interconnection Facilities during an Emergency Condition in order to: (1) preserve public health and safety; (2) preserve the reliability of the Large Generating Facility or Interconnection Customer's Interconnection Facilities; (3) limit or prevent damage; and (4) expedite restoration of service. Interconnection Customer shall use Reasonable Efforts to minimize the effect of such actions or inactions on the Transmission System and Transmission Provider's Interconnection Facilities. Transmission Provider shall use Reasonable Efforts to assist Interconnection Customer in such actions.

13.7 Limited Liability. Except as otherwise provided in Article 11.6.1 of this LGIA, neither Party shall be liable to the other for any action it takes in responding to an Emergency Condition so long as such action is made in good faith and is consistent with Good Utility Practice.

Article 14. Regulatory Requirements and Governing Law

14.1 Regulatory Requirements. Each Party's obligations under this LGIA shall be subject to its receipt of any required approval or certificate from one or more Governmental Authorities in the form and substance satisfactory to the applying Party, or the Party making any required filings with, or providing notice to, such Governmental Authorities, and the expiration of any time period associated therewith. Each Party shall in good faith seek and use its Reasonable Efforts to obtain such other approvals. Nothing in this LGIA shall require Interconnection Customer to take any action that could result in its inability to obtain, or its loss of, status or exemption under the Federal Power Act, the Public Utility Holding Company Act of 1935, as amended, or the Public Utility Regulatory Policies Act of 1978.

14.2 Governing Law.

14.2.1 The validity, interpretation and performance of this LGIA and each of its provisions shall be governed by Federal law.

14.2.2 This LGIA is subject to all Applicable Laws and Regulations.

14.2.3 Each Party expressly reserves the right to seek changes in, appeal, or otherwise contest any laws, orders, rules or regulations of a Governmental Authority.

Article 15. Notices

15.1 General. Unless otherwise provided in this LGIA, any notice, demand or request required or permitted to be given by either Party to the other and any instrument required or permitted to be tendered or delivered by either Party in writing to the other shall be effective when delivered and may be so given, tendered or delivered, by recognized national courier, or by depositing the same with the United States Postal Service with postage prepaid, for delivery by certified or registered mail, addressed to the Party, or personally delivered to the Party, at the address set out in Appendix F, Addresses for Delivery of Notices and Billings.

Either Party may change the notice information in this LGIA by giving five (5) Business Days' written notice prior to the effective date of the change.

15.2 Billings and Payments. Billings and payments shall be sent to the addresses set out in Appendix F, Addresses for delivery of Notices and Billings.

15.3 Alternative Forms of Notice. Any notice or request required or permitted to be given by a Party to the other and not required by this LGIA to be given in writing may be so given by telephone, facsimile or email to the telephone numbers and email addresses set out in Appendix F, Addresses for delivery of Notices and Billings.

15.4 Operations and Maintenance Notice. Each Party shall notify the other Party in writing of the identity of the person(s) that it designates as the point(s) of contact with respect to the implementation of Articles 9 and 10.

Article 16. Force Majeure

16.1 Force Majeure.

16.1.1 Economic hardship is not considered a Force Majeure event.

16.1.2 Neither Party shall be considered to be in Default with respect to any obligation hereunder, (including obligations under Article 4), other than the obligation to pay money when due, if prevented from fulfilling such obligation by Force Majeure. A Party unable to fulfill any obligation hereunder (other than an obligation to pay money when due) by reason of Force Majeure shall give notice and the full particulars of such Force Majeure to the other Party in writing or by telephone as soon as reasonably possible after the occurrence of the cause relied upon. Telephone notices given pursuant to this article shall be confirmed in writing as soon as reasonably possible and shall specifically state full particulars of the Force Majeure, the time and date when the Force Majeure occurred and when the Force Majeure is reasonably expected to cease. The Party affected shall exercise due diligence to remove such disability with reasonable dispatch, but shall not be required to accede or agree to any provision not satisfactory to it in order to settle and terminate a strike or other labor disturbance.

Article 17. Default

17.1 Default.

17.1.1 General. No Default shall exist where such failure to discharge an obligation (other than the payment of money) is the result of Force Majeure as defined in this LGIA or the result of an act of omission of the other Party. Upon a Breach, the non-breaching Party shall give written notice of such Breach to the breaching Party. Except as provided in Article 17.1.2, the breaching Party shall have thirty (30) Calendar Days from receipt of the Default notice within which to cure such Breach; provided however, if such Breach is not capable of cure within thirty (30) Calendar Days, the breaching Party shall commence such cure within thirty (30) Calendar Days after notice and continuously and diligently complete such cure within ninety (90) Calendar Days from receipt of the Default notice; and, if cured within such time, the Breach specified in such notice shall cease to exist.

- 17.1.2 Right to Terminate.** If a Breach is not cured as provided in this article, or if a Breach is not capable of being cured within the period provided for herein, the non-breaching Party shall have the right to declare a Default and terminate this LGIA by written notice at any time until cure occurs, and be relieved of any further obligation hereunder and, whether or not that Party terminates this LGIA, to recover from the breaching Party all amounts due hereunder, plus all other damages and remedies to which it is entitled at law or in equity. The provisions of this article will survive termination of this LGIA.

Article 18. Indemnity, Consequential Damages and Insurance

Article 18.1 applies only if, at the time of the action or inaction by a Party that gave rise to the Party's right to indemnification, either Transmission Provider or Interconnection Customer was not a party to the Agreement Limiting Liability among Western Interconnected Electric Systems.

- 18.1 Indemnity.** The Parties shall at all times indemnify and hold the other Party harmless from any and all damages, losses, claims, including claims and actions relating to injury to or death of any person or damage to property, demand, suits, recoveries, costs and expenses, court costs, attorney fees and all other obligations by or to third parties, arising out of or resulting from the other Party's action or inaction of its obligations under this LGIA on behalf of the indemnifying Party, except in cases of gross negligence or intentional wrongdoing by the indemnified Party.

18.1.1 Indemnified Person. (Intentionally Omitted)

- 18.1.2 Indemnified Party.** If an Indemnifying Party is obligated to indemnify and hold any Indemnified Person harmless under this Article 18, the amount owing to the Indemnified Person shall be the amount of such Indemnified Person's actual Loss, net of any insurance or other recovery.

- 18.1.3 Indemnity Procedures.** Promptly after receipt by an Indemnified Person of any claim or notice of the commencement of any action or administrative or legal proceeding or investigation as to which the indemnity provided for in Article 18.1 may apply, the Indemnified Person shall notify the Indemnifying Party of such fact. Any failure of or delay in such notification shall not affect a Party's indemnification obligation unless such failure or delay is materially prejudicial to the indemnifying Party.

18.2 Consequential Damages. Other than the Liquidated Damages heretofore described, in no event shall either Party be liable under any provision of this LGIA for any losses, damages, costs or expenses for any special, indirect, incidental, consequential or punitive damages, including but not limited to loss of profit or revenue, loss of the use of equipment, cost of capital, cost of temporary equipment or services, whether based in whole or in part in contract, in tort, including negligence, strict liability or any other theory of liability; provided however, that damages for which a Party may be liable to the other Party under another agreement will not be considered to be special, indirect, incidental or consequential damages hereunder.

18.3 Insurance. Interconnection Customer shall, at its own expense, maintain in force throughout the period of this LGIA, and until released by the Transmission Provider, the following minimum insurance coverage, with insurers authorized to do business in the state where the Point of Interconnection is located:

18.3.1 Employers' Liability and Workers' Compensation Insurance providing statutory benefits in accordance with the laws and regulations of the state in which the Point of Interconnection is located.

18.3.2 Commercial General Liability Insurance including premises and operations, personal injury, broad form property damage, broad form blanket contractual liability coverage (including coverage for the contractual indemnification) products and completed operations coverage, coverage for explosion, collapse and underground hazards, independent contractors coverage, coverage for pollution to the extent normally available and punitive damages to the extent normally available and a cross liability endorsement, with minimum limits of One Million Dollars (\$1,000,000) per occurrence/One Million Dollars (\$1,000,000) aggregate combined single limit for personal injury, bodily injury, including death and property damage.

18.3.3 Comprehensive Automobile Liability Insurance for coverage of owned and non-owned and hired vehicles, trailers or semi-trailers designed for travel on public roads, with a minimum, combined single limit of One Million Dollars (\$1,000,000) per occurrence for bodily injury, including death and property damage.

18.3.4 Excess Public Liability Insurance over and above the Employers' Liability Commercial General Liability and Comprehensive Automobile Liability Insurance coverage, with a minimum combined single limit of Twenty Million Dollars (\$20,000,000) per occurrence/Twenty Million Dollars (\$20,000,000) aggregate.

- 18.3.5** The Commercial General Liability Insurance, Comprehensive Automobile Insurance and Excess Public Liability Insurance policies shall name the Transmission Provider, its parent, associated and Affiliate companies and their respective directors, officers, agents, servants and employees (Transmission Provider Party Group) as additional insured. All policies shall contain provisions whereby the insurers waive all rights of subrogation in accordance with the provisions of this LGIA against the Transmission Provider Party Group and provide thirty (30) Calendar Days advance written notice to the Transmission Provider Party Group or Interconnection Customer prior to anniversary date of cancellation or any material change in coverage or condition; in the event that Interconnection Customer receives less than thirty (30) Calendar Days advanced written notice of cancellation or any material change in coverage or condition pursuant to this Article 18.3.5, within thirty (30) Calendar Days of receipt of such written notice, Interconnection Customer will provide Transmission Provider Party Group written notice of the cancellation or any material change in coverage or condition.
- 18.3.6** The Commercial General Liability Insurance, Comprehensive Automobile Liability Insurance and Excess Public Liability Insurance policies shall contain provisions that specify that the policies are primary and shall apply to such extent without consideration for other policies separately carried and shall state that each insured is provided coverage as though a separate policy had been issued to each, except the insurer's liability shall not be increased beyond the amount for which the insurer would have been liable had only one insured been covered. Interconnection Customer shall be responsible for its respective deductibles or retentions.
- 18.3.7** The Commercial General Liability Insurance, Comprehensive Automobile Liability Insurance and Excess Public Liability Insurance policies, if written on a Claims First Made Basis, shall be maintained in full force and effect for two (2) years after termination of this LGIA, which coverage may be in the form of tail coverage or extended reporting period coverage if agreed by the Parties.
- 18.3.8** The requirements contained herein as to the types and limits of all insurance to be maintained by Interconnection Customer are not intended to and shall not in any manner, limit or qualify the liabilities and obligations assumed by Interconnection Customer under this LGIA.
- 18.3.9** Within ten (10) Calendar Days following execution of this LGIA, and as soon as practicable after the end of each fiscal year or at the renewal of the insurance policy and in any event within ninety (90) days thereafter, Interconnection Customer shall provide certification of all insurance required in this LGIA, executed by each insurer or by an authorized representative of each insurer.

- 18.3.10** Notwithstanding the foregoing, Interconnection Customer may self-insure to meet the minimum insurance requirements of Articles 18.3.1 through 18.3.8 to the extent it maintains a self-insurance program; provided that, Interconnection Customer has an issuer credit rating or a senior unsecured debt rating of investment grade or better as rated by Standard & Poor's and that its self-insurance program meets the minimum insurance requirements of Articles 18.3.1 through 18.3.8. For any period of time that Interconnection Customer has no issuer credit rating and its senior unsecured debt is unrated by Standard & Poor's, or Interconnection Customer has an issuer credit rating or a senior unsecured debt rating of less than investment grade as rated by Standard & Poor's, Interconnection Customer shall comply with the insurance requirements applicable to it under Articles 18.3.1 through 18.3.9. In the event that Interconnection Customer is permitted to self-insure pursuant to this article, it shall notify the Transmission Provider that it meets the requirements to self-insure and that its self-insurance program meets the minimum insurance requirements in a manner consistent with that specified in Article 18.3.9.
- 18.3.11** The Parties agree to report to each other in writing as soon as practical all accidents or occurrences resulting in injuries to any person, including death, and any property damage arising out of this LGIA.

Article 19. Assignment

- 19.1 Assignment.** This LGIA may be assigned by either Party only with the written consent of the other, provided that either Party may assign this LGIA without the consent of the other Party to any Affiliate of the assigning Party with an equal or greater credit rating and with the legal authority and operational ability to satisfy the obligations of the assigning Party under this LGIA; and provided further, that Interconnection Customer shall have the right to assign this LGIA, without the consent of Transmission Provider, for collateral security purposes to aid in providing financing for the Large Generating Facility, provided that Interconnection Customer will promptly notify Transmission Provider of any such assignment. Any financing arrangement entered into by Interconnection Customer pursuant to this article will provide that prior to or upon the exercise of the secured party's, trustee's or mortgagee's assignment rights pursuant to said arrangement, the secured creditor, the trustee or mortgagee will notify Transmission Provider of the date and particulars of any such exercise of assignment right(s), including providing the Transmission Provider with proof that it meets the requirements of Articles 11.5 and 18.3. Any attempted assignment that violates this article is void and ineffective. Any assignment under this LGIA shall not relieve a Party of its obligations, nor shall a Party's obligations be enlarged, in whole or in part, by reason thereof. Where required, consent to assignment will not be unreasonably withheld, conditioned or delayed.

Article 20. Severability

20.1 Severability. If any provision in this LGIA is finally determined to be invalid, void or unenforceable by any court or other Governmental Authority having jurisdiction, such determination shall not invalidate, void or make unenforceable any other provision, agreement or covenant of this LGIA; provided that if Interconnection Customer (or any third party, but only if such third party is not acting at the direction of Transmission Provider) seeks and obtains such a final determination with respect to any provision of the Alternate Option (Article 5.1.2), or the Negotiated Option (Article 5.1.4), then none of these provisions shall thereafter have any force or effect and the Parties' rights and obligations shall be governed solely by the Standard Option (Article 5.1.1).

Article 21. Comparability

21.1 Comparability. (Intentionally Omitted)

Article 22. Confidentiality

22.1 Confidentiality. Confidential Information shall include, without limitation, all information relating to a Party's technology, research and development, business affairs and pricing, and any information supplied by either of the Parties to the other prior to the execution of this LGIA.

Information is Confidential Information only if it is clearly designated or marked in writing as confidential on the face of the document, or, if the information is conveyed orally or by inspection, if the Party providing the information orally informs the Party receiving the information that the information is confidential.

If requested by either Party, the other Party shall provide in writing, the basis for asserting that the information referred to in this Article 22 warrants confidential treatment, and the requesting Party may disclose such writing to the appropriate Governmental Authority. Each Party shall be responsible for the costs associated with affording confidential treatment to its information.

22.1.1 Term. During the term of this LGIA, and for a period of three (3) years after the expiration or termination of this LGIA, except as otherwise provided in this Article 22, each Party shall hold in confidence and shall not disclose to any person Confidential Information.

22.1.2 Scope. Confidential Information shall not include information that the receiving Party can demonstrate: (1) is generally available to the public other than as a result of a disclosure by the receiving Party; (2) was in the lawful possession of the receiving Party on a non-confidential basis before receiving it from the disclosing Party; (3) was supplied to the receiving Party without restriction by a third party, who, to the knowledge of the receiving Party after due inquiry, was under no obligation to the disclosing Party to keep such information confidential; (4) was

independently developed by the receiving Party without reference to Confidential Information of the disclosing Party; (5) is, or becomes, publicly known, through no wrongful act or omission of the receiving Party or Breach of this LGIA; or (6) is required, in accordance with Article 22.1.7 of the LGIA, Order of Disclosure, to be disclosed by any Governmental Authority or is otherwise required to be disclosed by law or subpoena, including the Freedom of Information Act, 5 U.S.C. § 552, as amended, or is necessary in any legal proceeding establishing rights and obligations under this LGIA. Information designated as Confidential Information will no longer be deemed confidential if the Party that designated the information as confidential notifies the other Party that it no longer is confidential.

- 22.1.3 Release of Confidential Information.** Neither Party shall release or disclose Confidential Information to any other person, except to its Affiliates (limited by the Standards of Conduct requirements), sub-contractors, employees, consultants or to parties who may be or considering providing financing to or equity participation with Interconnection Customer, or to potential purchasers or assignees of Interconnection Customer, on a need-to-know basis in connection with this LGIA, unless such person has first been advised of the confidentiality provisions of this Article 22 and has agreed to comply with such provisions. Notwithstanding the foregoing, a Party providing Confidential Information to any person shall remain primarily responsible for any release of Confidential Information in contravention of this Article 22.
- 22.1.4 Rights.** Each Party retains all rights, title and interest in the Confidential Information that each Party discloses to the other Party. The disclosure by each Party to the other Party of Confidential Information shall not be deemed a waiver by either Party or any other person or entity of the right to protect the Confidential Information from public disclosure.
- 22.1.5 No Warranties.** By providing Confidential Information, neither Party makes any warranties or representations as to its accuracy or completeness. In addition, by supplying Confidential Information, neither Party obligates itself to provide any particular information or Confidential Information to the other Party nor to enter into any further agreements or proceed with any other relationship or joint venture.
- 22.1.6 Standard of Care.** Each Party shall use at least the same standard of care to protect Confidential Information it receives as it uses to protect its own Confidential Information from unauthorized disclosure, publication or dissemination. Each Party may use Confidential Information solely to fulfill its obligations to the other Party under this LGIA or its regulatory requirements.

- 22.1.7 Order of Disclosure.** If a court or a Government Authority or entity with the right, power and apparent authority to do so requests or requires either Party, by subpoena, oral deposition, interrogatories, requests for production of documents, administrative order, or otherwise, to disclose Confidential Information, that Party shall provide the other Party with prompt notice of such request(s) or requirement(s) so that the other Party may seek an appropriate protective order or waive compliance with the terms of this LGIA. Notwithstanding the absence of a protective order or waiver, the Party may disclose such Confidential Information which, in the opinion of its counsel, the Party is legally compelled to disclose. Each Party will use Reasonable Efforts to obtain reliable assurance that confidential treatment will be accorded any Confidential Information so furnished.
- 22.1.8 Termination of Agreement.** Upon termination of this LGIA for any reason, each Party shall, within ten (10) Calendar Days of receipt of a written request from the other Party, use Reasonable Efforts to destroy, erase or delete (with such destruction, erasure and deletion certified in writing to the other Party) or return to the other Party, without retaining copies thereof, any and all written or electronic Confidential Information received from the other Party.
- 22.1.9 Remedies.** The Parties agree that monetary damages would be inadequate to compensate a Party for the other Party's Breach of its obligations under this Article 22. Each Party accordingly agrees that the other Party shall be entitled to equitable relief, by way of injunction or otherwise, if the first Party Breaches or threatens to Breach its obligations under this Article 22, which equitable relief shall be granted without bond or proof of damages, and the receiving Party shall not plead in defense that there would be an adequate remedy at law. Such remedy shall not be deemed an exclusive remedy for the Breach of this Article 22, but shall be in addition to all other remedies available at law or in equity. The Parties further acknowledge and agree that the covenants contained herein are necessary for the protection of legitimate business interests and are reasonable in scope. No Party, however, shall be liable for indirect, incidental or consequential or punitive damages of any nature or kind resulting from or arising in connection with this Article 22.
- 22.1.10 Disclosure to FERC, its Staff, or a State.** Notwithstanding anything in this Article 22 to the contrary, and pursuant to 18 CFR § 1b.20, if FERC or its staff, during the course of an investigation or otherwise, requests information from one of the Parties that is otherwise required to be maintained in confidence pursuant to this LGIA, the Party shall provide the requested information to FERC or its staff, within the time provided for in the request for information. In providing the information to FERC or its staff, the Party must, consistent with 18 CFR § 388.112, request that the information be treated as confidential and non-public by FERC and its staff and that the information be withheld from public

disclosure. Parties are prohibited from notifying the other Party to this LGIA prior to the release of the Confidential Information to FERC or its staff. The Party shall notify the other Party to the LGIA when it is notified by FERC or its staff that a request to release Confidential Information has been received by FERC, at which time either of the Parties may respond before such information would be made public, pursuant to 18 CFR § 388.112. Requests to Interconnection Customer from a state regulatory body conducting a confidential investigation shall be treated in a similar manner if consistent with the applicable state rules and regulations.

- 22.1.11** Subject to the exception in Article 22.1.10, any information that a Party claims is competitively sensitive, commercial or financial information under this LGIA ("Confidential Information") shall not be disclosed by the other Party to any person not employed or retained by the other Party, except to the extent disclosure is: (1) required by law; (2) reasonably deemed by the disclosing Party to be required to be disclosed in connection with a dispute between or among the Parties, or the defense of litigation or dispute; (3) otherwise permitted by consent of the other Party, such consent not to be unreasonably withheld; or (4) necessary to fulfill its obligations under this LGIA or as a transmission service provider or a Control Area operator including disclosing the Confidential Information to an RTO or ISO or to a regional or national reliability organization. The Party asserting confidentiality shall notify the other Party in writing of the information it claims is confidential. Prior to any disclosures of the other Party's Confidential Information under this subparagraph, or if any third party or Governmental Authority makes any request or demand for any of the information described in this subparagraph, the disclosing Party agrees to promptly notify the other Party in writing and agrees to assert confidentiality and cooperate with the other Party in seeking to protect the Confidential Information from public disclosure by confidentiality agreement, protective order or other reasonable measures.

Article 23. Environmental Releases

- 23.1** Each Party shall remediate all releases of Hazardous Substances brought to, or created at, real property it owns underlying the Large Generating Facility or Interconnection Facilities, and any Hazardous Substances migrating from real property it owns at the Large Generating Facility site. The Party that caused the release shall bear the costs of the remediation, which shall meet applicable state and Federal environmental standards at the time of the remediation. Such costs may include, but are not limited to, state and Federal supervision, remedial action plans, removal and remedial actions, and negotiation of voluntary and judicial agreements required to meet such environmental standards.

- 23.2** Each Party shall notify the other Party as promptly as practicable of any significant release of Hazardous Substances by the first Party. Each Party shall cooperate with the other Party in accommodating any necessary remedial activities of the other Party with respect to property occupied by such other Party.
- 23.3** The Parties agree to comply fully with the substantive requirements of all applicable Federal, state and local environmental laws in the performance of their obligations hereunder, and to mitigate and abate adverse environmental impacts accordingly.

Article 24. Information Requirements

- 24.1 Information Acquisition.** Transmission Provider and Interconnection Customer shall submit specific information regarding the electrical characteristics of their respective facilities to each other as described below and in accordance with Applicable Reliability Standards.
- 24.2 Information Submission by Transmission Provider.** The initial information submission by Transmission Provider shall occur no later than one hundred eighty (180) Calendar Days prior to Trial Operation and shall include Transmission System information necessary to allow Interconnection Customer to select equipment and meet any system protection and stability requirements, unless otherwise agreed to by the Parties. On a monthly basis Transmission Provider shall provide Interconnection Customer a status report on the construction and installation of Transmission Provider's Interconnection Facilities and Network Upgrades, including, but not limited to, the following information: (1) progress to date; (2) a description of the activities since the last report; (3) a description of the action items for the next period; and (4) the delivery status of equipment ordered.
- 24.3 Updated Information Submission by Interconnection Customer.** The updated information submission by Interconnection Customer, including manufacturer information, shall occur no later than one hundred eighty (180) Calendar Days prior to the Trial Operation. Interconnection Customer shall submit a completed copy of the Large Generating Facility data requirements contained in Appendix 1 to the LGIP. It shall also include any additional information provided to Transmission Provider for the Feasibility and Facilities Study. Information in this submission shall be the most current Large Generating Facility design or expected performance data. Information submitted for stability models shall be compatible with Transmission Provider standard models. If there is no compatible model, Interconnection Customer will work with a consultant mutually agreed to by the Parties to develop and supply a standard model and associated information.

If Interconnection Customer's data is materially different from what was originally provided to Transmission Provider pursuant to the Interconnection Study Agreement between Transmission Provider and Interconnection Customer, then Transmission Provider will conduct appropriate studies to determine the impact on Transmission Provider Transmission System based on the actual data submitted pursuant to this Article 24.3. The Interconnection Customer shall not begin Trial Operation until such studies are completed.

24.4 Information Supplementation. Prior to the Operation Date, the Parties shall supplement their information submissions described above in this Article 24 with any and all "as-built" Large Generating Facility information or "as-tested" performance information that differs from the initial submissions or, alternatively, written confirmation that no such differences exist. The Interconnection Customer shall conduct tests on the Large Generating Facility as required by Good Utility Practice such as an open circuit "step voltage" test on the Large Generating Facility to verify proper operation of the Large Generating Facility's automatic voltage regulator.

Unless otherwise agreed, the test conditions shall include: (1) Large Generating Facility at synchronous speed; (2) automatic voltage regulator on and in voltage control mode; and (3) a five percent change in Large Generating Facility terminal voltage initiated by a change in the voltage regulators reference voltage. Interconnection Customer shall provide validated test recordings showing the responses of Large Generating Facility terminal and field voltages. In the event that direct recordings of these voltages is impractical, recordings of other voltages or currents that mirror the response of the Large Generating Facility's terminal or field voltage are acceptable if information necessary to translate these alternate quantities to actual Large Generating Facility terminal or field voltages is provided. Large Generating Facility testing shall be conducted and results provided to Transmission Provider for each individual generating unit in a station.

Subsequent to the Operation Date, Interconnection Customer shall provide Transmission Provider any information changes due to equipment replacement, repair or adjustment. Transmission Provider shall provide Interconnection Customer any information changes due to equipment replacement, repair or adjustment in the directly connected substation or any adjacent Transmission Provider-owned substation that may affect Interconnection Customer's Interconnection Facilities equipment ratings, protection or operating requirements. The Parties shall provide such information no later than thirty (30) Calendar Days after the date of the equipment replacement, repair or adjustment.

Article 25. Information Access and Audit Rights

25.1 Information Access. Each Party (the "disclosing Party") shall make available to the other Party information that is in the possession of the disclosing Party and is necessary in order for the other Party to: (1) verify the costs incurred by the disclosing Party for which the other Party is responsible under this LGIA; and (2) carry out its obligations and responsibilities under this LGIA. The Parties shall not use such information for purposes other than those set forth in this Article 25.1 and to enforce their rights under this LGIA.

25.2 Reporting of Non-Force Majeure Events. Each Party (the "notifying Party") shall notify the other Party when the notifying Party becomes aware of its inability to comply with the provisions of this LGIA for a reason other than a Force Majeure event. The Parties agree to cooperate with each other and provide necessary information regarding such inability to comply, including the date, duration, reason for the inability to comply and corrective actions taken or planned to be taken with respect to such inability to comply. Notwithstanding the foregoing, notification, cooperation or information provided under this article shall not entitle the Party receiving such notification to allege a cause for anticipatory breach of this LGIA.

25.3 Audit Rights. Subject to the requirements of confidentiality under Article 22 of this LGIA, each Party shall have the right, during normal business hours, and upon prior reasonable notice to the other Party, to audit at its own expense the other Party's accounts and records pertaining to either Party's performance or either Party's satisfaction of obligations under this LGIA. Such audit rights shall include audits of the other Party's costs, calculation of invoiced amounts, Transmission Provider's efforts to allocate responsibility for the provision of reactive support to the Transmission System, Transmission Provider's efforts to allocate responsibility for interruption or reduction of generation on the Transmission System, and each Party's actions in an Emergency Condition. Any audit authorized by this article shall be performed at the offices where such accounts and records are maintained and shall be limited to those portions of such accounts and records that relate to each Party's performance and satisfaction of obligations under this LGIA. Each Party shall keep such accounts and records for a period equivalent to the audit rights periods described in Article 25.4.

25.4 Audit Rights Periods.

25.4.1 Audit Rights Period for Construction-Related Accounts and Records. Accounts and records related to the design, engineering, procurement and construction of Transmission Provider's Interconnection Facilities and Network Upgrades shall be subject to audit for a period of twenty-four (24) months following Transmission Provider's issuance of a final invoice in accordance with Article 12.2.

25.4.2 Audit Rights Period for All Other Accounts and Records. Accounts and records related to either Party's performance or satisfaction of all obligations under this LGIA other than those described in Article 25.4.1 shall be subject to audit as follows: (1) for an audit relating to cost obligations, the applicable audit rights period shall be twenty-four (24) months after the auditing Party's receipt of an invoice giving rise to such cost obligations; and (2) for an audit relating to all other obligations, the applicable audit rights period shall be twenty-four (24) months after the event for which the audit is sought.

25.5 Audit Results. If an audit by a Party determines that an overpayment or an underpayment has occurred, a notice of such overpayment or underpayment shall be given to the other Party together with those records from the audit which support such determination.

Article 26. Subcontractors

26.1 General. Nothing in this LGIA shall prevent a Party from utilizing the services of any subcontractor as it deems appropriate to perform its obligations under this LGIA; provided however, that each Party shall require its subcontractors to comply with all applicable terms and conditions of this LGIA in providing such services and each Party shall remain primarily liable to the other Party for the performance of such subcontractor.

26.2 Responsibility of Principal. The creation of any subcontract relationship shall not relieve the hiring Party of any of its obligations under this LGIA. The hiring Party shall be fully responsible to the other Party for the acts or omissions of any subcontractor the hiring Party hires as if no subcontract had been made; provided however, that in no event shall Transmission Provider be liable for the actions or inactions of Interconnection Customer or its subcontractors with respect to obligations of Interconnection Customer under Article 5 of this LGIA. Any applicable obligation imposed by this LGIA upon the hiring Party shall be equally binding upon, and shall be construed as having application to, any subcontractor of such Party.

26.3 No Limitation by Insurance. The obligations under this Article 26 will not be limited in any way by any limitation of subcontractor's insurance.

Article 27. Disputes

27.1 Submission. In the event either Party has a dispute, or asserts a claim, that arises out of or in connection with this LGIA or its performance, such Party (the "disputing Party") shall provide the other Party with written notice of the dispute or claim ("Notice of Dispute"). Such dispute or claim shall be referred to a designated senior representative of each Party for resolution on an informal basis as promptly as practicable after receipt of the Notice of Dispute by the other Party. In the event the designated representatives are unable to resolve the claim or dispute through unassisted or assisted negotiations within thirty (30) Calendar Days of the other Party's receipt of the Notice of Dispute, such claim or dispute may, upon mutual agreement of the Parties, be submitted to arbitration and resolved in accordance with the arbitration procedures set forth below. In the event the Parties do not agree to submit such claim or dispute to arbitration, each Party may exercise whatever rights and remedies it may have in equity or at law consistent with the terms of this LGIA.

27.2 External Arbitration Procedures. Any arbitration initiated under this LGIA shall be conducted before a single neutral arbitrator appointed by the Parties. If the Parties fail to agree upon a single arbitrator within ten (10) Calendar Days of the submission of the dispute to arbitration, each Party shall choose one arbitrator who shall sit on a three-member arbitration panel. The two arbitrators so chosen shall within twenty (20) Calendar Days select a third arbitrator to chair the arbitration panel. In either case, the arbitrators shall be knowledgeable in electric utility matters, including electric transmission and bulk power issues, and shall not have any current or past substantial business or financial relationships with any party to the arbitration (except prior arbitration). The arbitrator(s) shall provide each of the Parties an opportunity to be heard and, except as otherwise provided herein, shall conduct the arbitration in accordance with the Commercial Arbitration Rules of the American Arbitration Association ("Arbitration Rules") and any applicable FERC regulations or RTO rules; provided however, in the event of a conflict between the Arbitration Rules and the terms of this Article 27, the terms of this Article 27 shall prevail.

27.3 Arbitration Decisions. Unless otherwise agreed by the Parties, the arbitrator(s) shall render a decision within ninety (90) Calendar Days of appointment and shall notify the Parties in writing of such decision and the reasons therefore. The arbitrator(s) shall be authorized only to interpret and apply the provisions of this LGIA and shall have no power to modify or change any provision of this Agreement in any manner. The decision of the arbitrator(s) shall be final and binding upon the Parties and judgment on the award may be entered in any court having jurisdiction. The decision of the arbitrator(s) may be appealed solely on the grounds that the conduct of the arbitrator(s), or the decision itself, violated the standards set forth in the Federal Arbitration Act or the Administrative Dispute Resolution Act. The final decision of the arbitrator must also be filed with FERC if it affects jurisdictional rates, terms and conditions of service, Interconnection Facilities or Network Upgrades.

27.4 Costs. Each Party shall be responsible for its own costs incurred during the arbitration process and for the following costs, if applicable: (1) the cost of the arbitrator chosen by the Party to sit on the three-member panel and one-half of the cost of the third arbitrator chosen; or (2) one-half the cost of the single arbitrator jointly chosen by the Parties.

Article 28. Representations, Warranties and Covenants

28.1 General. Each Party makes the following representations, warranties and covenants:

- 28.1.1 Good Standing.** Interconnection Customer is duly organized, validly existing and in good standing under the laws of the state in which it is organized, formed or incorporated, as applicable; that it is qualified to do business in the state or states in which the Large Generating Facility, Interconnection Facilities and Network Upgrades owned by such Party, as applicable, are located; and that it has the corporate power and authority to own its properties, to carry on its business as now being conducted and to enter into this LGIA and carry out the transactions contemplated hereby and perform and carry out all covenants and obligations on its part to be performed under and pursuant to this LGIA.
- 28.1.2 Authority.** Such Party has the right, power and authority to enter into this LGIA, to become a Party hereto and to perform its obligations hereunder. This LGIA is a legal, valid and binding obligation of such Party, enforceable against such Party in accordance with its terms, except as the enforceability thereof may be limited by applicable bankruptcy, insolvency, reorganization or other similar laws affecting creditors' rights generally and by general equitable principles (regardless of whether enforceability is sought in a proceeding in equity or at law).
- 28.1.3 No Conflict.** The execution, delivery and performance of this LGIA does not violate or conflict with the organizational or formation documents, or bylaws or operating agreement, of such Party, or any judgment, license, permit, order, material agreement or instrument applicable to or binding upon such Party or any of its assets.
- 28.1.4 Consent and Approval.** Such Party has sought or obtained; or, in accordance with this LGIA will seek or obtain, each consent, approval, authorization, order or acceptance by any Governmental Authority in connection with the execution, delivery and performance of this LGIA, and it will provide to any Governmental Authority notice of any actions under this LGIA that are required by Applicable Laws and Regulations.

Article 29. Joint Operating Committee

29.1 Joint Operating Committee. Except in the case of ISOs and RTOs, Transmission Provider shall constitute a Joint Operating Committee to coordinate operating and technical considerations of Interconnection Service. At least six (6) months prior to the expected Initial Synchronization Date, Interconnection Customer and Transmission Provider shall each appoint one representative and one alternate to the Joint Operating Committee. Each Interconnection Customer shall notify Transmission Provider of its appointment in writing. Such appointments may be changed at any time by similar notice. The Joint Operating Committee shall meet

as necessary, but not less than once each calendar year, to carry out the duties set forth herein. The Joint Operating Committee shall hold a meeting at the request of either Party, at a time and place agreed upon by the representatives. The Joint Operating Committee shall perform all of its duties consistent with the provisions of this LGIA. Each Party shall cooperate in providing to the Joint Operating Committee all information required in the performance of the Joint Operating Committee's duties. All decisions and agreements, if any, made by the Joint Operating Committee, shall be evidenced in writing. The duties of the Joint Operating Committee shall include the following:

- 29.1.1** Establish data requirements and operating record requirements.
- 29.1.2** Review the requirements, standards and procedures for data acquisition equipment, protective equipment and any other equipment or software.
- 29.1.3** Annually review the one (1) year forecast of maintenance and planned outage schedules of Transmission Provider's and Interconnection Customer's facilities at the Point of Interconnection.
- 29.1.4** Coordinate the scheduling of maintenance and planned outages on the Interconnection Facilities, the Large Generating Facility and other facilities that impact the normal operation of the interconnection of the Large Generating Facility to the Transmission System.
- 29.1.5** Ensure that information is being provided by each Party regarding equipment availability.
- 29.1.6** Perform such other duties as may be conferred upon it by mutual agreement of the Parties.

Article 30. Miscellaneous

- 30.1 Binding Effect.** This LGIA and the rights and obligations hereof, shall be binding upon and shall inure to the benefit of the successors and assigns of the Parties hereto.
- 30.2 Conflicts.** In the event of a conflict between the body of this LGIA and any attachment, appendices or exhibits hereto, the terms and provisions of the body of this LGIA shall prevail and be deemed the final intent of the Parties.
- 30.3 Rules of Interpretation.** This LGIA, unless a clear contrary intention appears, shall be construed and interpreted as follows: (1) the singular number includes the plural number and vice versa; (2) reference to any person includes such person's successors and assigns but, in the case of a Party, only if such successors and assigns are permitted by this LGIA, and reference to a person in a particular capacity excludes such person in any other capacity or individually; (3) reference to any agreement (including this LGIA), document, instrument or tariff means such agreement, document, instrument or tariff as amended or modified and in effect

from time to time in accordance with the terms thereof; and if applicable, the terms hereof; (4) reference to any Applicable Laws and Regulations means such Applicable Laws and Regulations as amended, modified, codified or reenacted, in whole or in part, and in effect from time to time, including, if applicable, rules and regulations promulgated thereunder; (5) unless expressly stated otherwise, reference to any Article, Section or Appendix means such Article of this LGIA or such Appendix to this LGIA, or such Section to the LGIP or such Appendix to the LGIP, as the case may be; (6) "hereunder," "hereof," "herein," "hereto" and words of similar import shall be deemed references to this LGIA as a whole and not to any particular Article or other provision hereof or thereof; (7) "including" (and with correlative meaning "include") means including without limiting the generality of any description preceding such term; and (8) relative to the determination of any period of time, "from" means "from and including," "to" means "to but excluding" and "through" means "through and including."

- 30.4 Entire Agreement.** This LGIA, including all Appendices and Schedules attached hereto, constitutes the entire agreement between the Parties with reference to the subject matter hereof, and supersedes all prior and contemporaneous understandings or agreements, oral or written, between the Parties with respect to the subject matter of this LGIA. There are no other agreements, representations, warranties or covenants which constitute any part of the consideration for, or any condition to, either Party's compliance with its obligations under this LGIA.
- 30.5 No Third Party Beneficiaries.** Except as provided in Article 4.3.1.3, this LGIA is not intended to and does not create rights, remedies or benefits of any character whatsoever in favor of any persons, corporations, associations or entities other than the Parties, and the obligations herein assumed are solely for the use and benefit of the Parties, their successors in interest and, where permitted, their assigns.
- 30.6 Waiver.** The failure of a Party to this LGIA to insist, on any occasion, upon strict performance of any provision of this LGIA will not be considered a waiver of any obligation, right, or duty of, or imposed upon, such Party.
- Any waiver at any time by either Party of its rights with respect to this LGIA shall not be deemed a continuing waiver or a waiver with respect to any other failure to comply with any other obligation, right, duty of this LGIA. Termination or Default of this LGIA for any reason by Interconnection Customer shall not constitute a waiver of Interconnection Customer's legal rights to obtain an interconnection from Transmission Provider. Any waiver of this LGIA shall, if requested, be provided in writing.
- 30.7 Headings.** The descriptive headings of the various Articles of this LGIA have been inserted for convenience of reference only and are of no significance in the interpretation or construction of this LGIA.
- 30.8 Multiple Counterparts.** This LGIA may be executed in two (2) or more counterparts, each of which is deemed an original but all constitute one and the same instrument.

30.9 Amendment. The Parties may by mutual agreement amend this LGIA by a written instrument duly executed by the Parties.

30.10 Modification by the Parties. The Parties may by mutual agreement amend the Appendices to this LGIA by a written instrument duly executed by the Parties. Such amendment shall become effective and a part of this LGIA upon satisfaction of all Applicable Laws and Regulations.

30.11 Reservation of Rights. (Intentionally Omitted)

30.12 No Partnership. This LGIA shall not be interpreted or construed to create an association, joint venture, agency relationship or partnership between the Parties or to impose any partnership obligation or partnership liability upon either Party. Neither Party shall have any right, power or authority to enter into any agreement or undertaking for, or act on behalf of, or to act as or be an agent or representative of, or to otherwise bind, the other Party.

IN WITNESS WHEREOF, the Parties have executed this LGIA in duplicate originals, each of which shall constitute and be an original effective Agreement between the Parties.

PUGET SOUND ENERGY, INC.

UNITED STATES OF AMERICA
Department of Energy
Bonneville Power Administration

By: Kimberly Harris

By: Angela DeClerck

Name: Kimberly Harris
(Print / Type)

Name: Angela DeClerck
(Print / Type)

Title: EVP, CRO

Title: Senior Transmission Account Executive

Date: May 11, 2010

Date: May 13, 2010

(W:\TMC\CT\Puget Sound Energy, Inc\Contracts (Final)\LGIA\10TX-14570 Central Ferry LGIA.DOC)

**APPENDIX A
INTERCONNECTION FACILITIES, NETWORK UPGRADES,
AND DISTRIBUTION UPGRADES
FOR LOWER SNAKE RIVER WIND PROJECT, PHASES I, II AND III**

Reference generation interconnection request numbers G0284, G0285 and G0286 (750 MW) for related studies. Appendix A will need to be revised when Interconnection Customer moves forward with Phases II and III to include the additional facilities and related costs that will be required for interconnection.

1. TRANSMISSION PROVIDER'S INTERCONNECTION FACILITIES

Transmission Provider's Interconnection Facilities include:

- (a) Meters, control hardware, remedial action scheme and associated data collection equipment, and telemetry at the Interconnection Customer's Lower Snake River Wind Energy Project, Phases I, II and III substations associated with the Generating Facility.
- (b) Equipment to signal limit wind generation from Transmission Provider Dispatch to the Generating Facility.
- (c) Transmission Provider trip control of the generation power circuit breaker(s) at the Generating Facility.

2. NETWORK UPGRADES

The Network Upgrades include:

- (a) Transmission Provider's Central Ferry 500/230 kV substation including a 500/230 kV transformer, a 500 kV five (5) power circuit breaker bus, a 230 kV three (3) power circuit breaker ring bus and associated power circuit breaker isolating disconnect switches, instrument transformers, protective relaying, remedial action scheme equipment, communications, controls and related system upgrades at other Transmission Provider facilities to integrate this facility;
- (b) Loop-in of the Little Goose – Lower Granite 500 kV line No.2 and addition of fiber cables for the communications system;
- (c) Replacement of the Lower Snake Remedial Action Scheme (RAS) to accommodate the new wind generation projects in this area;
- (d) Addition of digital radios at several existing Transmission Provider facilities as part of an interim communications plan;

- (e) Acceleration of a fiber cable system for the Lower Snake communications system (funded by Transmission Provider with a 2013 completion date) and subsequent decommissioning of the interim radios; and
- (f) Power System control and communication Network Upgrades at various locations at and beyond the Point of Interconnection of the Generating Facility.

3. TEMPORARY NETWORK UPGRADES AND INTERCONNECTION FACILITIES

None.

4. INTERCONNECTION CUSTOMER'S PHASE I INTERCONNECTION FACILITIES

Interconnection Customer's Interconnection Facilities include:

- (a) Interconnection Customer's Lower Snake River Wind Energy Project, Phalen Gulch Substation, Dodge Junction Substation (Phase I Substations) and future collector stations, containing the necessary step up transformer(s) and associated equipment which connects the step up transformer(s) to the Generating Facility;
- (b) Associated 230 kV transmission line provided by Interconnection Customer and associated fiber communication cables;
- (c) Reactive power equipment, including controller, to meet Transmission Provider's requirements for reactive power support, as defined in Appendix C section 5(f) of this Agreement. The Lower Snake River Wind Energy Project, Phase I will use Siemens 2.3 MW wind turbines with a dynamic range of 0.90 leading and lagging;

Interconnection Customer will use excess capability of the Siemens 2.3 MW wind turbines to compensate for reactive losses on the collector system and transformer(s) at the collector substation(s) to meet power factor correction requirements as defined in Appendix C section 5(f), and Interconnection Customer shall provide reactive support at no generation to compensate for the capacitive affect of the collector system; and

- (d) Protective relaying compatible with the Transmission Provider's relaying system for the 230 kV line from Lower Snake River Wind Energy Project, Phase I substations to Central Ferry 230 kV substation.

5. AFFECTED SYSTEM NETWORK UPGRADES

None.

6. STAND ALONE NETWORK UPGRADES

None.

7. POINT OF INTERCONNECTION

The Point of Interconnection is the point where Interconnection Customer's Interconnection Facilities (230 kV transmission line) connect to the 230 kV Dead-end tower in Transmission Provider's Central Ferry 230 kV substation, further depicted in Appendix A, Attachment 2.

8. POINT OF CHANGE OF OWNERSHIP

The Point of Change of Ownership is the point where Interconnection Customer's Interconnection Facilities (230 kV transmission line) connect to the 230 kV Dead-end tower in Transmission Provider's Central Ferry 230 kV substation, further depicted in Appendix A, Attachment 2.

9. DISTRIBUTION UPGRADES

None.

10. DUTIES OF TRANSMISSION PROVIDER

Transmission Provider shall:

- (a) Design, procure, and construct all Network Upgrades identified in this Appendix A;
- (b) Coordinate testing and energization of Interconnection Customer's Generating Facility with Transmission Provider's Transmission System;
- (c) Design, procure and construct all Transmission Provider Interconnection Facilities as identified in this Appendix A; and
- (d) Own, maintain, and operate all Transmission Provider Network Upgrades and Transmission Provider Interconnection Facilities.

11. DUTIES OF INTERCONNECTION CUSTOMER

Interconnection Customer shall:

- (a) Design, procure and construct Interconnection Customer's Interconnection Facilities identified in this Appendix A;
- (b) Coordinate testing and energization of the Generating Facility and Interconnection Customer's Interconnection Facilities with Transmission Provider;

- (c) Provide space in the temperature controlled control buildings of Interconnection Customer's collector substation(s) for Transmission Provider's equipment with a separate BPA lockable area (consistent with NERC and Critical Infrastructure Protection security requirements) for Transmission Provider communications equipment;
- (d) Provide Transmission Provider personnel direct access to all Transmission Provider facilities at the collector substations via Transmission Provider lock(s) or equivalent system;
- (e) Provide the conductor, insulators and hardware for connection to the Transmission Provider's Dead-end tower;
- (f) Be responsible for all other equipment, facilities development, and site development, including land acquisitions, and permitting, including environmental impact assessment, associated with Interconnection Customer's Interconnection Facilities and Generating Facility;
- (g) Cooperate on relay testing in compliance with NERC and WECC regulations;
- (h) Own, maintain, and operate all Interconnection Facilities except the Transmission Provider Interconnection Facilities;
- (i) Provide as built technical data on the Generating Facility and Interconnection Customer's Interconnection Facilities, including collector system, as required by Transmission Provider for generation owner or operator NERC and WECC compliance; and
- (j) Provide payment to Transmission Provider for the total Phase I estimated cost shown in Appendix A, Attachment 1. Notwithstanding Article 12.1, Interconnection Customer shall provide payment to Transmission Provider according to the schedule provided in Appendix B.

12. O&M COSTS ASSIGNED TO INTERCONNECTION CUSTOMER

None.

13. TRANSMISSION CREDITS FOR FUNDS ADVANCED FOR NETWORK UPGRADES

The estimated cost of Network Upgrades is specified in Appendix A, Attachment 1. In accordance with Article 11.4.1, Repayment of Amounts Advanced for Network Upgrades, and Transmission Provider's Business Practice on Transmission Credits – Generator Large, Version 6, or its successor, Transmission Provider will provide transmission credits to Interconnection Customer for the funds that Interconnection Customer advances to Transmission Provider for Network Upgrades pursuant to this Agreement.

(W:\TMC\CT\Puget Sound Energy, Inc\Contracts (Final)\LGIA\10TX-14570 Central Ferry LGIA.DOC)

**APPENDIX A
ATTACHMENT 1
COST ESTIMATE SUMMARY
LOWER SNAKE RIVER WIND ENERGY PROJECT, PHASE I**

Puget Sound Energy, Inc. LGIA (Overhead Rate)

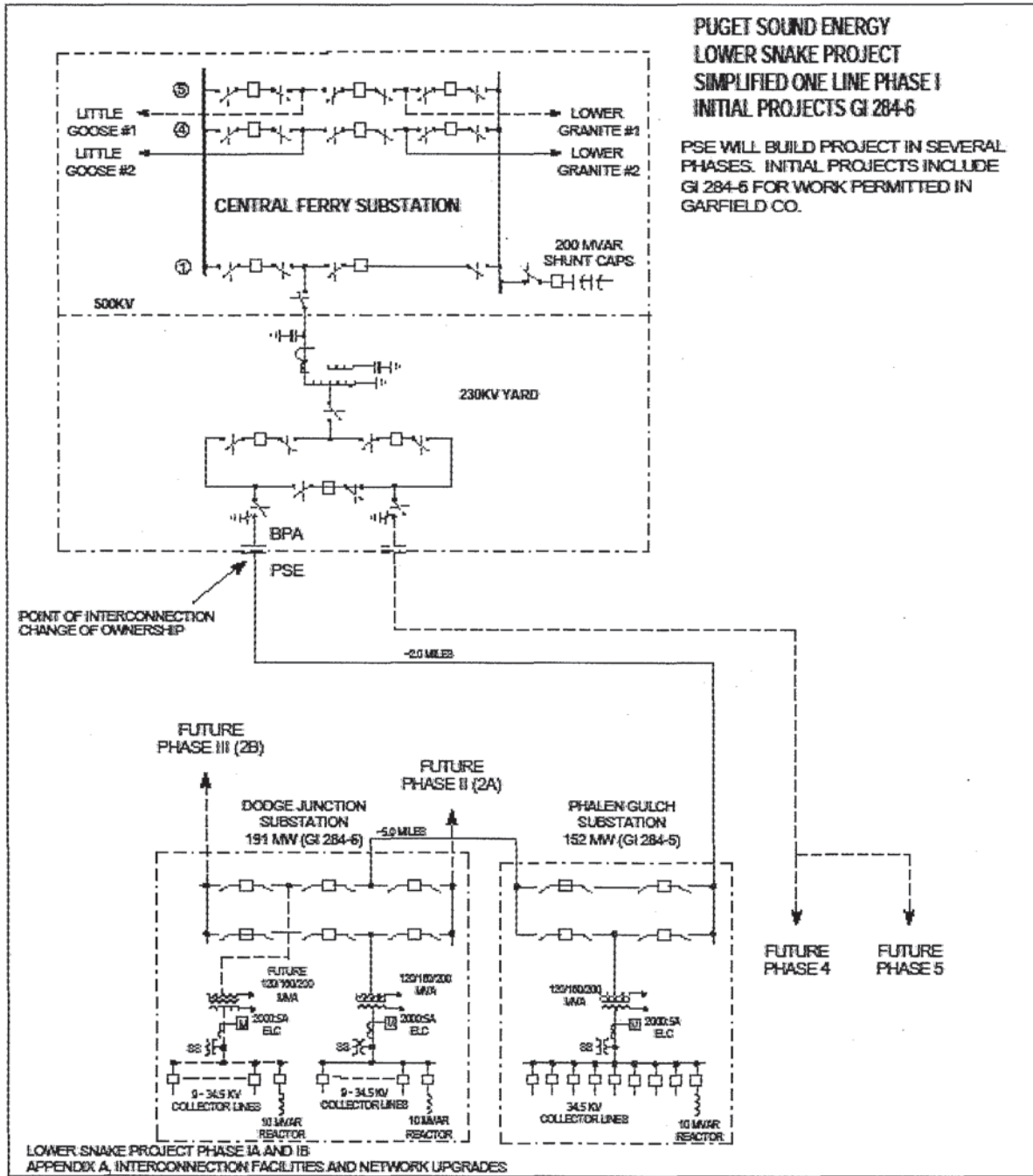
23.00%

48.00%

| Central Ferry Substation Estimates | MATERIAL | TRANSMISSION PROVIDER LABOR | TOTAL |
|--|---------------------|------------------------------------|----------------------|
| Central Ferry 500 KV Sub (5-PCBs and Control house). <i>SB-32054-3</i> | \$11,962,770 | \$16,167,686 | \$28,130,456 |
| 230 kV yard with Transformer, 500/230 KV, 1300 MVA, <i>SB-32059-3</i> | \$15,073,174 | \$4,294,900 | \$19,368,074 |
| Substation Land <i>AX-32054</i> | \$229,000 | \$56,200 | \$285,200 |
| Shunt Capacitor, 500 kV, 200 MVA, <i>SB-32055-2</i> | \$1,729,364 | \$1,014,961 | \$2,744,325 |
| Loop Little Goose-Lower Granite No. 1 <i>LB-32056</i> | \$627,486 | \$912,395 | \$1,539,881 |
| Loop Little Goose-Lower Granite No. 2 <i>LB-32057</i> | \$651,231 | \$914,397 | \$1,565,628 |
| Total Substation / 60 Hz | \$30,273,025 | \$23,360,539 | \$53,633,564 |
| Total Substation with Overhead | \$37,235,821 | \$34,573,598 | \$71,809,418 |
| | | | |
| Fiber Transmission Line Estimates | MATERIAL | TRANSMISSION PROVIDER LABOR | TOTAL |
| Lower Monumental to LoMo PH <i>OB-34089</i> | \$37,776 | \$116,108 | \$153,884 |
| Little Goose - Little Goose PH <i>OB-34090</i> | \$94,181 | \$188,179 | \$282,360 |
| Little Goose - Central Ferry - Lower Granite <i>OB-34428-0</i> | \$1,415,280 | \$1,607,517 | \$3,022,797 |
| Lower Granite - LG PH <i>OB-34428-0</i> | \$55,464 | \$147,932 | \$203,396 |
| Total Fiber Install | \$1,602,701 | \$2,059,736 | \$3,662,437 |
| Total Fiber Install with Overhead | \$1,971,322 | \$3,048,409 | \$5,019,732 |
| | | | |
| Communications Sites (Based on Budget Estimates) | | | |
| Kennewick RS Replace radio equipment | \$105,312 | \$117,053 | \$222,365 |
| Kahlotus RS Replace radio equipment | \$428,882 | \$1,278,002 | \$1,706,884 |
| L. Goose Sub Add radios, fiber MUX, etc | \$664,179 | \$1,438,248 | \$2,102,427 |
| L. Goose PH Add fiber MUX, RAS etc | \$268,276 | \$583,446 | \$851,722 |
| Central Ferry Communications | \$951,070 | \$1,430,185 | \$2,381,255 |
| Lower Granite Sub Add radios, fiber MUX | \$613,455 | \$1,465,742 | \$2,079,197 |
| Lower Granite PH Add fiber MUX, RAS | \$268,276 | \$583,446 | \$851,722 |
| Pomeroy RS Replace radio equip | \$298,564 | \$1,056,461 | \$1,355,025 |
| Franklin Sub Replace radio equip | \$476,428 | \$233,866 | \$710,294 |
| L. Monumental Sub Add radios, fiber MUX | \$490,555 | \$1,079,708 | \$1,570,263 |
| L. Monumental PH Add fiber MUX, RAS | \$272,960 | \$572,306 | \$845,266 |
| Dittmer CC Control Add'ns, RAS | \$106,524 | \$367,424 | \$473,948 |
| Munro CC Control Add'ns, RAS | \$140,980 | \$395,481 | \$536,461 |
| Garrison Sub Revise RAS | \$47,009 | \$123,107 | \$170,116 |
| McNary Sub Revise RAS | \$33,884 | \$134,538 | \$168,422 |
| Sky Rocket RS Replace radio equip | \$183,481 | \$151,076 | \$334,557 |
| Total Communications Facilities | \$5,349,835 | \$11,010,089 | \$16,359,924 |
| Total Communications Facilities with Overhead | \$6,580,297 | \$16,294,932 | \$22,875,229 |
| | | | |
| Total Network Facilities Upgrades with Overhead | \$72,399,358 | \$27,305,021 | \$99,704,379 |
| | | | |
| Transmission Provider Interconnection Facilities | | | |
| Phalen Gulch Collector sub w/OH | \$409,944 | \$836,129 | \$1,246,073 |
| Dodge Junction Collector sub w/OH | \$409,944 | \$836,129 | \$1,246,073 |
| Total Customer Funding (Estimated and Rounded) | | | \$102,200,000 |

(W:\TMC\CT\Puget Sound Energy, Inc\Contracts (Final)\LGIA\10TX-14570 Central Ferry LGIA.DOC)

**APPENDIX A
 ATTACHMENT 2
 SIMPLIFIED ONE LINE DIAGRAM**



(W:\TMC\CT\Puget Sound Energy, Inc\Contracts (Final)\LGIA\10TX-14570 Central Ferry LGIA.DOC)

**APPENDIX B
MILESTONES**

Appendix B will need to be revised when Interconnection Customer moves forward with Phases II and III to include the additional facilities and related costs that will be required for interconnection

1. IN-SERVICE DATES

Phase I: The In-Service Date is 12/1/2011.

Phase II: The In-Service Date is 9/1/2015.

Phase III: The In-Service Date is 9/1/2017.

2. INITIAL SYNCHRONIZATION DATES

Phase I: The Initial Synchronization Date is 12/15/2011.

Phase II: The Initial Synchronization Date is 9/15/2015.

Phase III: The Initial Synchronization Date is 9/15/2017.

3. STANDARD OPTION

The Standard Option is selected per Article 5.1.

4. PAYMENT SCHEDULE

Notwithstanding Article 12.1, in addition to the initial funds received under Engineering & Procurement Agreement No. 08TX-13682, Interconnection Customer shall provide payment to Transmission Provider for the total estimated cost of the Network Upgrades and Transmission Provider's Interconnection Facilities according to the following schedule:

Initial deposits provided under Engineering and Procurement Agreement No. 08TX-13682:

| | |
|--------------------|--------------------------|
| August 15, 2008 | \$ 500,000 (received) |
| February 23, 2009 | \$ 13,200,000 (received) |
| June 4, 2009 | \$ 3,500,000 (received) |
| August 31, 2009 | \$ 10,500,000 (received) |
| September 30, 2009 | \$ 10,500,000 (received) |

Payment Provided under this LGIA:

| | |
|--------------------------------|---------------------|
| No later than June 1, 2010 | \$ 10,000,000 |
| No later than July 30, 2010 | \$ 10,000,000 |
| No later than October 30, 2010 | \$ 15,000,000 |
| No later than March 15, 2011 | \$ 20,000,000 |
| No later than August 1, 2011 | \$ <u>9,000,000</u> |

Total \$102,200,000

Within six months after completion of construction of Transmission Provider's Interconnection Facilities and the Network Upgrades, Transmission Provider will submit a final invoice pursuant to Article 12.2, including a final invoice for payments due.

(W:\TMC\CT\Puget Sound Energy, Inc\Contracts (Final)\LGIA\10TX-14570 Central Ferry LGIA.DOC)

APPENDIX C
INTERCONNECTION DETAILS AND OPERATING REQUIREMENTS
FOR LOWER SNAKE RIVER WIND ENERGY PROJECT,
PHASE I OF MULTI-PHASED PROJECT

Reference generation interconnection request number G0284, G0285 and G0286 (750 MW) for related studies. Appendix C will need to be revised when Interconnection Customer moves forward with Phases II and III to include the additional facilities and related costs that will be required for interconnection

1. TOTAL INSTALLED GENERATING FACILITY CAPACITY

Interconnection Customer's Generating Facility Capacity shall not exceed 750 MW at the Point of Interconnection for the multi-phased project installed in Garfield County. Phase I will consist of two collector substations (Phase I Substations) and 343 MW.

2. IDENTIFICATION OF THE GENERATING FACILITY

For Phase I, the Generating Facility will consist of 66 Siemens 2.3 MW wind turbines at Phalen Gulch collector substation and 83 Siemens 2.3 MW wind turbines at Dodge Junction collector substation totaling 343 MW of installed Generating Facility Capacity, connected together by overhead and underground 34.5 kV radial collector system at the wind collector substation, which are connected to the Transmission Provider by a 230 kV transmission line. The Parties may agree (with such agreement not to be unreasonably withheld) to the installation of turbines of another make or generating capacity consistent with the Transmission Provider's technical requirements.

Transmission Provider will own, maintain, and operate all Network Upgrades and Transmission Provider's Interconnection Facilities installed on Transmission Provider's side of the Point of Change of Ownership.

3. CONTROL AREA OBLIGATIONS FOR THE INTERCONNECTION CUSTOMER

- (a) As specified in Article 9.4, Interconnection Customer is responsible for compliance with Control Area requirements. This includes the WECC Reliability Criteria referenced in Article 4.3.1.1. The Joint Operating Committee described in Article 29 will address past performance issues and future compliance requirements.
- (b) Transmission Provider's Control Area requirements include compliance with operating instructions issued in accordance with Transmission Provider's dispatcher standing orders, including Dispatcher Standing Order 216, as such dispatcher orders may be amended from time to time.

- (c) Interconnection Customer must provide updates to the technical data (such as equipment characteristics and system data) on the Generating Facility and Interconnection Customer's Interconnection Facilities to Transmission Provider on a yearly basis as required by NERC/WECC Reliability Standards.

4. INTERCONNECTION GENERATION METERING

- (a) **Generation Metering:** Transmission Provider will provide metering capable of measuring and recording real and reactive power into (**IN**) and separately out (**OUT**) of the Generating Facility, connecting to the Interconnection Customer's Lower Snake River Wind Energy Project collector substations. When sufficient generation is available, the Generating Facility is required to self-supply all Station Service and Parasitic (plant auxiliary power) load. The generation **IN** metering will measure the Generating Facility's output less the Station Service and Parasitic loads (net metering). There will be loss factor adjustments from Lower Snake River Wind Energy Project collector substations points of metering to the Point of Interconnection at Transmission Provider's 230 kV Central Ferry substation.

Voltage: 34.5 kV.

- (b) **Generation Facility Load Metering:** Transmission Provider's generation **OUT** metering will measure the Generating Facility substation service load and the Parasitic Load of the Generating Facility, delivered by Transmission Provider's system, when Interconnection Customer's equipment is connected to the Transmission Provider's system. Interconnection Customer shall arrange for any alternate power source required for the Generating Facility when connection to Transmission Provider's system is interrupted and any other local load service required for facilities not connected to Transmission Provider's system. The alternate power source(s) shall be provided by others and separate metering is required. There will be loss factor adjustments from Lower Snake River Wind Energy Project collector substations points of metering to the Point of Interconnection at Transmission Provider's 230 kV Central Ferry substation.

Voltage: 34.5 kV.

5. VOLTAGE SCHEDULES AND REACTIVE POWER

As set forth in Article 9.6.2, the following provides the Interconnection Customer the information for voltage schedules.

- (a) Each calendar year Transmission Provider may review the voltage schedules that shall include a maximum and a minimum voltage setpoint consistent with the design limitations of the Generating Facility and notify Interconnection Customer of any required changes. Interconnection Customer shall at all times operate the Generating Facility at a voltage level between the maximum and minimum setpoint, consistent with the design limitations of the Generating Facility.
- (b) When necessary to maintain the reliability of the Transmission System, Transmission Provider may temporarily suspend the voltage schedule and prepare and send to Interconnection Customer a replacement voltage schedule with different minimum and/or maximum setpoints, consistent with the design limitations of the Generating Facility. In such case, Interconnection Customer shall operate the Generating Facility between the minimum and maximum setpoints of the replacement voltage schedule as long as such replacement voltage schedule is in effect. Transmission Provider will determine in its sole discretion the period during which such replacement voltage schedule shall be in effect.
- (c) Interconnection Customer shall provide Transmission Provider information on the Generating Facility's reactive power capability.
- (d) To the extent practicable, the voltage schedules that Transmission Provider prepares pursuant to this Appendix C shall not require voltage support from the Generating Facility that is greater than the voltage support that Transmission Provider requires from other generating facilities in the same area and similar in size to the Generating Facility.
- (e) Transmission Provider will install a SCADA Remote Terminal Unit (RTU), located at the Lower Snake River Wind Energy Project collector substations control houses to provide control and indication, as defined and required by Transmission Provider, for operation of the Generating Facility in a safe and reliable manner and as provided in Appendix G. Interconnection Customer will make appropriate revisions to its facilities to comply with the requirements.

- (f) Interconnection Customer must provide automatic voltage control (AVC) equipment to support the Transmission System. Transmission Provider has determined that dynamic reactive power capability (continuous) while generating is required to provide 0.95 leading and lagging power factor capability from the Lower Snake River Wind Energy Project net at the 230 kV POI for system dynamic voltage response. Interconnection Customer is to provide reactive compensation for the reactive losses of the collector system and transformer(s) at each collector substation. Interconnection Customer may use the capability of the wind turbines to compensate for such losses; or shall provide shunt capacitors at each collector substation to meet this requirement. Interconnection Customer shall provide reactive support at no generation to compensate for the capacitive affect of the collector system. The controller will operate in Line Drop Compensation mode on the 34.5 kV bus(s). Transmission Provider reserves the right to require specific settings for Generating Facility and Interconnection Customer's Interconnection Facility equipment to ensure acceptable voltage response and regulation.
- (g) Interconnection Customer shall satisfy Transmission Provider's Low Voltage Ride-Through requirements in accordance with Appendix G of this LGIA for the Post-Transition Period LVRT Standard.

6. REMEDIAL ACTION SCHEME

- (a) Interconnection Customer will install interface to the generator-tripping equipment at each collector substation sufficient to allow Transmission Provider to trip the 34.5 kV breakers in each collector substation associated with the generation of the Lower Snake River Wind Project Generating Facilities in order to maintain compliance with reliability criteria through a remedial action scheme (RAS). Such RAS includes the equipment installed at each collector substation and certain communications and other equipment owned by Transmission Provider. Transmission Provider will enable generator tripping as specified in the appropriate Transmission Provider dispatcher standing orders. RAS will automatically trip generation of the Generating Facility if a line outage occurs while generator tripping is enabled. Transmission Provider will not trip Interconnection Customer's generation in a discriminatory manner, or give preference to third parties interconnected to other Transmission Provider facilities.

- (b) Transmission Provider will provide written notice to Interconnection Customer of any update to the RAS hardware as system conditions warrant. Transmission Provider will provide Interconnection Customer as much notice as reasonably possible of its intent to revise such RAS hardware. As system conditions warrant, Transmission Provider may change the amount of generation that will be enabled for tripping; the line loading levels at which Transmission Provider enables generator tripping and the line outages for which the Generating Facility will be enabled and tripped.
- (c) Transmission Provider will test and verify RAS signals once each calendar year. Interconnection Customer will provide personnel and assist with testing as determined by Transmission Provider. If, after such testing or at any other time, Transmission Provider determines, in its sole discretion, that the generator tripping equipment is not in operational condition, Interconnection Customer may not operate the Generating Facility until, at Interconnection Customer's expense, Interconnection Customer has restored the generator tripping equipment to operational condition, as determined by Transmission Provider in its sole discretion.
- (d) Interconnection Customer will notify Transmission Provider prior to modifying the capacity of the Generating Facility or the equipment installed to provide generator-tripping capability. In the event of any such modification, Interconnection Customer will not operate the Generating Facility until Transmission Provider has completed the necessary modifications to RAS, as determined by Transmission Provider in its sole discretion.

If the Transmission Provider must make modifications to RAS because of modifications by Interconnection Customer, such modifications to RAS will be at Interconnection Customer's expense.
- (e) Information exchange on the RAS design and operation will be performed as part of the duties of a bilateral Joint Operating Committee between Interconnection Customer and Transmission Provider as described in Article 29.

7. REQUIRED CONTROL AREA SERVICES

The ACS-10 Rate Schedule or successor rate schedules and General Rate Schedule Provisions, including any new or modified rate or general rate provision that Transmission Provider adopts after the date of execution of this LGIA, shall apply to Interconnection Customer.

As of the Effective Date of this LGIA, Interconnection Customer is subject to the following services provided by Transmission Provider:

| | Provided By | Contract No. |
|--|------------------------------------|---------------------|
| Generation Imbalance Service | Transmission Provider | 10TX-14570 |
| Wind Balancing Service | Transmission Provider | 10TX-14570 |
| Operating Reserves – Spinning Reserve | Transmission Provider ¹ | 10TX-14570 |
| Operating Reserves – Supplemental Reserve | Transmission Provider ¹ | 10TX-14570 |

Upon one-year’s written notice to Transmission Provider, and with Transmission Provider’s consent, which shall not be unreasonably withheld, Interconnection Customer may self-supply, or acquire from a third party, any of the Control Area services that Transmission Provider is providing under this LGIA at the time of the notice, if such Control Area services are (1) comparable to the Control Area services Transmission Provider is providing, and (2) consistent with the Tariff and Transmission Provider’s associated business practices. No later than the date on which Interconnection Customer begins self-supplying such Control Area services or taking such Control Area Services from a third party, Interconnection Customer must compensate Transmission Provider for:

- (a) any costs to modify the Transmission System that Transmission Provider incurs because of such self-supply or third-party supply, and
- (b) a percentage of costs that Transmission Provider has incurred, if any, to acquire energy or capacity to supply such Control Area services to wind generators in Transmission Provider’s Control Area, and that Transmission Provider has not yet recovered from such generators, according to the following formula:

(MW amount of Interconnection Customer’s installed wind generation capacity in Control Area as of the date of the notice/total MW amount of installed wind generation in Control Area as of such date) x Transmission Provider’s unrecovered costs;

except that Interconnection Customer does not have to pay such costs if Transmission Provider determines that it has an alternative market for such energy or capacity.

(W:\TMC\CT\Puget Sound Energy, Inc\Contracts (Final)\LGIA\10TX-14570 Central Ferry LGIA.DOC)

¹ Unless otherwise provided for under a Transmission Provider Transmission Service Agreement consistent with Transmission Provider’s Open Access Transmission Tariff and associated business practices.

APPENDIX D
SECURITY ARRANGEMENTS DETAILS

Appendix D is intentionally left blank.

(W:\TMC\CT\Puget Sound Energy, Inc\Contracts (Final)\LGIA\10TX-14570 Central Ferry LGIA.DOC)

APPENDIX E
COMMERCIAL OPERATION DATE

Appendix E will need to be revised when Interconnection Customer moves forward with Phases II and III to include the additional facilities and related costs that will be required for interconnection

1. COMMERCIAL OPERATION DATE

The Commercial Operation date of the Generating Facility is:

Phase I: 12/31/2011

Phase II: 9/30/2015

Phase III: 9/30/2017

(W:\TMC\CT\Puget Sound Energy, Inc\Contracts (Final)\LGIA\10TX-14570 Central Ferry LGIA.DOC)

**APPENDIX F
ADDRESSES FOR DELIVERY OF NOTICES AND BILLINGS**

1. ADMINISTRATIVE CONTACTS

If to the Interconnection Customer: If to the Transmission Provider:

Puget Sound Energy, Inc.
Attention: Doug Faulkner
Phone: (425) 462-3352
Fax: (425) 462-3836

Attention: Transmission Account Executive for
Puget Sound Energy, Inc., TSE/TPP-2
Phone: (360) 619-6016
Fax: (360) 619-6940

If by First Class Mail:

Bonneville Power Administration
P.O. Box 61409
Vancouver, WA 98666-1409

If by Overnight Delivery Service:

Bonneville Power Administration – TSE/TPP-2
7500 NE 41st Street – Suite 130
Vancouver, WA 98662-7905

2. OPERATIONAL CONTACTS

If to the Interconnection Customer: If to the Transmission Provider:

Puget Sound Energy, Inc
Attention: Puget Dispatch
Phone: (425) 882-4630
Fax: (425) 882-4669

Operational Primary:
Dittmer Dispatch
Phone: (360) 418-2280 or 418-2281
Fax: (360) 418-2938

Alternate & Local Subgrid:

Munro Dispatch
Phone: (509) 465-1820
Fax: (503) 219-9009

Planned Outages:

Dittmer Control Center
Phone: (360) 418-2274
Fax: (360) 418-2214

3. CHANGES IN CONTACTS

If either Party changes its contact(s), that Party shall notify the other Party by voice phone, facsimile transmission, or other means as soon as possible. The Party asking for the change shall send written notice of the change to the other Party as soon as practical. Transmission Provider shall revise this Appendix F upon such notice.

(W:\TMC\CT\Puget Sound Energy, Inc\Contracts (Final)\LGIA\10TX-14570 Central Ferry LGIA.DOC)

**APPENDIX G
INTERCONNECTION REQUIREMENTS FOR A
WIND GENERATING PLANT**

1. LOW VOLTAGE RIDE-THROUGH (LVRT) CAPABILITY

A wind generating plant shall be able to remain online during voltage disturbances up to the time periods and associated voltage levels set forth in the Standard below. The LVRT Standard provides for a Transition Period Standard and a Post-Transition Period Standard.

Transition Period LVRT Standard. The Transition Period Standard applies to wind generating plants subject to FERC Order 661 that have either: (i) interconnection agreements signed and filed with the Commission, filed with the Commission in unexecuted form or filed with the Commission as non-conforming agreements between January 1, 2006, and December 31, 2006, with a scheduled in-service date no later than December 31, 2007; or (ii) wind generating turbines subject to a wind turbine procurement contract executed prior to December 31, 2005, for delivery through 2007.

- (a) Wind generating plants are required to remain in-service during three-phase faults with normal clearing (which is a time period of approximately 4-9 cycles) and single line to ground faults with delayed clearing, and subsequent post-fault voltage recovery to pre-fault voltage unless clearing the fault effectively disconnects the generator from the system. The clearing time requirement for a three-phase fault will be specific to the wind generating plant substation location, as determined by and documented by the Transmission Provider. The maximum clearing time the wind generating plant shall be required to withstand for a three-phase fault shall be 9 cycles at a voltage as low as 0.15 per unit, as measured at the high side of the wind generating plant step-up transformer (i.e. the transformer that steps the voltage up to the transmission interconnection voltage or "GSU"); after which, if the fault remains following the location-specific normal clearing time for three-phase faults, the wind generating plant may disconnect from the transmission system.
- (b) This requirement does not apply to faults that would occur between the wind generator terminals and the high side of the GSU or to faults that would result in a voltage lower than 0.15 per unit on the high side of the GSU serving the facility.
- (c) Wind generating plants may be tripped after the fault period if this action is intended as part of a special protection system.
- (d) Wind generating plants may meet the LVRT requirements of this Standard by the performance of the generators or by installing additional equipment (i.e. Static VAR Compensator, etc.) within the wind generating plant or by a combination of generator performance and additional equipment.

- (e) Existing individual generator units that are, or have been, interconnected to the network at the same location at the effective date of the Appendix G LVRT Standard are exempt from meeting the Appendix G LVRT Standard for the remaining life of the existing generation equipment. Existing individual generator units that are replaced are required to meet the Appendix G LVRT Standard.

Post-Transition Period LVRT Standard. All wind generating plants subject to FERC Order No. 661 and not covered by the transition period described above must meet the following requirements:

- (a) Wind generating plants required to remain in-service during three-phase faults with normal clearing (which is a time period of approximately 4-9 cycles) and single line to ground faults with delayed clearing, and subsequent post-fault voltage recovery to pre-fault voltage unless clearing the fault effectively disconnects the generator from the system. The clearing time requirement for a three-phase fault will be specific to the wind generating plant substation location, as determined by and documented by the Transmission Provider. The maximum clearing time the wind generating plant shall be required to withstand for a three-phase fault shall be 9 cycles after which, if the fault remains following the location-specific normal clearing time for three-phase faults, the wind generating plant may disconnect from the transmission system. A wind generating plant shall remain interconnected during such a fault on the transmission system for a voltage level as low as zero volts, as measured at the high voltage side of the wind GSU.
- (b) This requirement does not apply to faults that would occur between the wind generator terminals and the high side of the GSU.
- (c) Wind generating plants may be tripped after the fault period if this action is intended as part of a special protection system.
- (d) Wind generating plants may meet the LVRT requirements of this Standard by the performance of the generators or by installing additional equipment (i.e., Static VAr Compensator) within the wind generating plant or by a combination of generator performance and additional equipment.
- (e) Existing individual generator units that are, or have been, interconnected to the network at the same location at the effective date of the Appendix G LVRT Standard are exempt from meeting the Appendix G LVRT Standard for the remaining life of the existing generation equipment. Existing individual generator units that are replaced are required to meet the Appendix G LVRT Standard.

2. POWER FACTOR DESIGN CRITERIA (REACTIVE POWER)

A wind generating plant shall maintain a power factor within the range of 0.95 leading, to 0.95 lagging, measured at the Point of Interconnection as defined in this LGIA, if the Transmission Provider's System Impact Study shows that such a requirement is necessary to ensure safety or reliability. The power factor range standard can be met by using, for example, power electronics designed to supply this level of reactive capability (taking into account any limitations due to voltage level, real power output, etc.) or fixed and switched capacitors, if agreed to by the Transmission Provider, or a combination of the two. The Interconnection Customer shall not disable power factor equipment while the wind plant is in operation. Wind plants shall also be able to provide sufficient dynamic voltage support in lieu of the power system stabilizer and automatic voltage regulation at the generator excitation system if the System Impact Study shows this to be required for system safety or reliability.

3. SUPERVISORY CONTROL AND DATA ACQUISITION (SCADA) CAPABILITY

The wind plant shall provide SCADA capability to transmit data and receive instructions from the Transmission Provider to protect system reliability. The Transmission Provider and the wind plant Interconnection Customer shall determine what SCADA information is essential for the proposed wind plant, taking into account the size of the plant and its characteristics, location and importance in maintaining generation resource adequacy and transmission system reliability in its area.

(W:\TMC\CT\Puget Sound Energy, Inc\Contracts (Final)\LGIA\10TX-14570 Central Ferry LGIA.DOC)

**APPENDIX H
OPERATION, MAINTENANCE, REPAIR AND REPLACEMENT OF
NETWORK UPGRADES**

Appendix H is intentionally left blank.

(W:\TMC\CT\Puget Sound Energy, Inc\Contracts (Final)\LGIA\10TX-14570 Central Ferry LGIA.DOC)