

Lida C. Tong  
Director-Regulatory  
& Governmental Affairs



WT-990356

GTE Service  
Corporation

ji

1800 41st Street, WA0101RA  
P.O. Box 1003  
Everett, WA 98201  
425 261-5691  
Fax: 425 261-5262

June 14, 1999

Ms. Carole J. Washburn  
Executive Secretary  
Washington Utilities and  
Transportation Commission  
P.O. Box 47250  
Olympia, Washington 98504-7250

Dear Ms. Washburn:

Re: **ADOPTION OF AT&T/GTE INTERCONNECTION AGREEMENT BY  
SPRINT COMMUNICATIONS COMPANY, L.P.**

Enclosed for filing with the Commission under Section 252(i) of the Telecommunications Act of 1996 is the Sprint adoption of the arbitrated Interconnection Agreement between GTE Northwest Incorporated (GTE) and AT&T (Terms). Also enclosed is an adoption letter signed by GTE which is self-explanatory, and which sets forth the manner in which the Terms will be applied in Sprint's case. GTE requested that Sprint confirm items A, B and C in the attached adoption letter, however Sprint chose not to do so. A separate adoption letter from Sprint is enclosed.

As GTE's May 6, 1999 letter explains, GTE is not voluntarily entering the Terms with Sprint and does not waive any rights and remedies it has concerning its position as to the illegality or unreasonableness of the Terms. GTE contends that certain provisions of the Terms may be void or unenforceable as a result of the United States Eighth Circuit Court of Appeals July and October, 1997 decisions, the Supreme Court of the United States' decision of January 25, 1999 and the remand of the pricing rules to the United States Eighth Circuit Court of Appeals. Any modification to the underlying Terms shall automatically apply to Sprint. GTE is preserving its legal positions in every aspect as to the Terms in the hands of Sprint, as well as in the hands of AT&T.

Ms. Carole J. Washburn  
June 14, 1999  
Page 2

Please contact Joan Gage on 425-261-5238 if you have any questions.

Very truly yours,

A handwritten signature in black ink, appearing to read "Joan Gage for". The signature is fluid and cursive.

Lida C. Tong  
Director - Regulatory & Governmental Affairs

**Enclosures**

[JG:sd:fj:eagroup/joan/jg16.doc]

c: Andrew Jones  
Sprint Communications Company  
8140 Ward Parkway – 5E  
Kansas City, MO 64114

Connie Nicholas  
Assistant Vice President  
Wholesale Markets-Interconnection



GTE Network  
Services

HQE03B28  
600 Hidden Ridge  
P.O. Box 152092  
Irving, TX 75038  
972/718-4586  
FAX 972/719-1523

May 6, 1999

Andrew M. Jones  
Sprint  
8140 Ward Parkway  
Kansas City, MO. 64114

Dear Mr. Jones:

GTE has received your letter stating that, under Section 252(i) of the Telecommunications Act of 1996, Sprint Communications Company, L.P. (Sprint) elects to adopt the terms of the arbitrated Interconnection Agreement between AT&T Communications of the Pacific Northwest, Inc. (AT&T) and GTE that was approved by the Commission as an effective agreement in the State of Washington in Docket No. UT-960307 (Terms)<sup>1</sup>. I understand you have a copy of the Terms.

Please be advised that GTE's position regarding the adoption of the Terms is as follows. Sprint does not necessarily concur with GTE's position.

On January 25, 1999, the Supreme Court of the United States ("Court") issued its decision on the appeals of the Eighth Circuit's decision in *Iowa Utilities Board*. Specifically, the Supreme Court vacated Rule 51.319 of the FCC's First Report and Order, FCC 96-325, 61 Fed. Reg. 45476 (1996) and modified several of the FCC's and the Eighth Circuit's rulings regarding unbundled network elements and pricing requirements under the Act. *AT&T Corp. v. Iowa Utilities Board*, No. 97-826, 1999 U.S. LEXIS 903 (1999).

Three aspects of the Court's decision are worth noting. First, the Court upheld on statutory grounds the FCC's jurisdiction to establish rules implementing the pricing provisions of the Act. The Court, though, did not address the substantive validity of the FCC's pricing rules. This issue will be decided by the Eighth Circuit on remand.

---

<sup>1</sup> \*These "agreements" are not agreements in the generally accepted understanding of that term. GTE was required to accept these agreements, which were required to reflect the then-effective FCC rules.

Second, the Court held that the FCC, in requiring ILECs to make available all UNEs, had failed to implement section 251(d)(2) of the Act, which requires the FCC to apply a "necessary" or "impair" standard in determining the network elements ILECs must unbundle. The Court ruled that the FCC had improperly failed to consider the availability of alternatives outside the ILEC's network and had improperly assumed that a mere increase in cost or decrease in quality would suffice to require that the ILEC provide the UNE. The Court therefore vacated in its entirety the FCC rule setting forth the UNEs that the ILEC is to provide. The FCC must now promulgate new UNE rules that comply with the Act. As a result, any provisions in the Terms requiring GTE to provide UNEs are nullified.

Third, the Court upheld the FCC rule forbidding ILECs from separating elements that are already combined (Rule 315(b)), but explained that its remand of Rule 319 "may render the incumbents' concern on [sham unbundling] academic." In other words, the Court recognized that ILEC concerns over UNE platforms could be mooted if ILECs are not required to provide all network elements: "If the FCC on remand makes fewer network elements unconditionally available through the unbundling requirement, an entrant will no longer be able to lease every component of the network."

The Terms which Sprint seeks to adopt does *not* reflect the Court's decision, and any provision in the Terms that is inconsistent with the decision is nullified.

GTE anticipates that after the FCC issues new final rules on UNEs, this matter may be resolved. In the interim, GTE would prefer not to engage in the arduous task of reforming agreements to properly reflect the current status of the law and then to repeat the same process later after the new FCC rules are in place. Without waiving any rights, GTE proposes that the parties agree to hold off amending (or incorporating the impact of the decision into) the Terms and let the section 252(i) adoption proceed by maintaining the status quo until final new FCC rules are implemented (the "New Rules"), subject to the following package of interdependent terms:

1. GTE will continue to provide all UNEs called for under the Terms until the FCC issues the New Rules even though it is not legally obligated to do so.
2. Likewise, Sprint agrees not to seek UNE "platforms", or "already bundled" combinations of UNEs.
3. If the FCC does not issue New Rules prior to the expiration of the initial term of the Terms, GTE will agree to extend any new interconnection arrangement between the parties to the terms of this proposal until the FCC issues its New Rules.



Andrew M. Jones

May 6, 1999

Page 3

4. By making this proposal (and by agreeing to any settlement or contract modifications that reflect this proposal), GTE does not waive any of its rights, including its rights to seek recovery of its actual costs and a sufficient, explicit universal service fund. Nor does GTE waive its position that, under the Court's decision, it is not required to provide UNEs unconditionally. Moreover, GTE does not agree that the UNE rates set forth in any agreement are just and reasonable and in accordance with the requirements of sections 251 and 252 of Title 47 of the United States Code.
5. The provisions of the contract that might be interpreted to require reciprocal compensation or payment as local traffic from GTE to the CLEC for the delivery of traffic to the Internet are not available for adoption and are not a part of the 252(i) agreement pursuant to FCC Rule 809 and paragraphs 1317 and 1318 of the First Report and Order.

GTE believes that the first four conditions above are adequately explained by the first part of this letter. The reason for the last condition is the FCC gave the ILECs the ability to except 252(i) adoptions in those instances where the cost of providing the service to the requesting carrier is higher than that incurred to serve the initial carrier or there is a technical incompatibility issue. The issue of reciprocal compensation for traffic destined for the Internet falls within FCC Rule 809. GTE never intended for Internet traffic passing through a CLEC to be included within the definition of local traffic and the corresponding obligation of reciprocal compensation. Despite the foregoing, some forums have interpreted the issue to require reciprocal compensation to be paid. This produces the situation where the cost of providing the service is not cost based under Rule 809 or paragraph 1318 of the First report and Order. As a result, that portion of the contract pertaining to reciprocal compensation is not available under this 252(i) adoption. In its place are provisions that exclude ISP Traffic from reciprocal compensation. Specifically, the definition of "Local Traffic" includes this provision: "Local Traffic excludes information service provider ("ISP") traffic (i.e., Internet, 900 – 976, etc)"

In sum, GTE's proposal as described above would maintain the status quo until the legal landscape is settled.

Sprint's adoption of the AT&T arbitrated agreement shall become effective upon filing of this letter with the Washington Utilities and Transportation Commission and remain in effect no longer than the date the AT&T arbitrated Terms are terminated. The AT&T arbitrated agreement is currently scheduled to expire on September 25, 2000.

Andrew M. Jones  
May 6, 1999  
Page 4

As these Terms are being adopted by you pursuant to your statutory rights under section 252(i), GTE does not provide the Terms to you as either a voluntary or negotiated agreement. The filing and performance by GTE of the Terms does not in any way constitute a waiver by GTE of its position as to the illegality or unreasonableness of the Terms or a portion thereof, nor does it constitute a waiver by GTE of all rights and remedies it may have to seek review of the Terms, or to petition the Commission, other administrative body, or court for reconsideration or reversal of any determination made by the Commission pursuant to arbitration in Docket No. UT-960307, or to seek review in any way of any provisions included in these Terms as a result of Sprint's 252(i) election.

Nothing herein shall be construed as or is intended to be a concession or admission by either GTE or Sprint that any contractual provision required by the Commission in Docket No. 960307 (the AT&T arbitration) or any provision in the Terms complies with the rights and duties imposed by the Telecommunications Act of 1996, the decision of the FCC and the Commissions, the decisions of the courts, or other law, and both GTE and Sprint expressly reserve their full right to assert and pursue claims arising from or related to the Terms. GTE contends that certain provisions of the Terms may be void or unenforceable as a result of the Court's decision of January 25, 1999 and the remand of the pricing rules to the United States Eighth Circuit Court of Appeals.

Should Sprint attempt to apply such conflicting provisions, GTE reserves its rights to seek appropriate legal and/or equitable relief. Should any provision of the Terms be modified, such modification would likewise automatically apply to this 252(i) adoption.

Please indicate by your countersignature on this letter your understanding of and commitment to the following three points:

- (A) Sprint adopts the Terms of the AT&T arbitrated agreement for interconnection with GTE and in applying the Terms, agrees that Sprint be substituted in place of AT&T in the Terms wherever appropriate.
- (B) Sprint requests that notice to Sprint as may be required under the Terms shall be provided as follows:

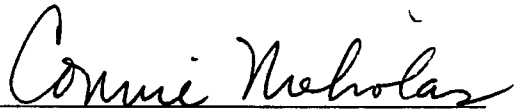
To : Sprint Communications Company, L.P.  
Attention: W. Richard Morris  
Vice President - Local Market Integration  
7301 College Blvd - KSOPKV0214  
Overland Park, KS 66209  
Telephone number: 913/534-6102  
FAX number: 913/534-6818

Andrew M. Jones  
May 6, 1999  
Page 5

- (C) Sprint represents and warrants that it is a certified provider of local dialtone service in the State of Washington, and that its adoption of the Terms will cover services in the State of Washington only.

Sincerely,

GTE Northwest Incorporated



Connie Nicholas  
Assistant Vice President  
Wholesale Markets-Interconnection

Reviewed and countersigned as to points A, B, and C only:

Sprint Communications Company, L.P.

---

[CLEC signing party's name]

c: R. Ragsdale - HQE03B75 - Irving, TX  
R. Vogelzang - HQE03J41 - Irving, TX  
W.E. Munsell - HQE03B62 - Irving, TX



Andrew M. Jones  
Attorney

State Regulatory Affairs/Mountain Region  
8140 Ward Parkway  
Kansas City, MO 64114  
Voice 913 624 4285  
Fax 913 624 5681  
andrew.jones@mail.sprint.com

April 29, 1999

MAY 5 1999

Steve Pitterle, Director  
GTE  
HQE03B67  
600 Hidden Ridge  
Irving TX 75038

Re: Sprint's intention to adopt the AT&T/GTE interconnection agreement per Section 252(i) of the Telecommunications Act

Dear Mr. Pitterle:

It is my understanding that an arbitrated interconnection agreement between GTE and AT&T was approved by the Washington Utilities and Transportation Commission (docket UT-960307) on August 25, 1997, with an effective date of September 25, 1997. This letter serves to inform you of Sprint's intention to adopt the GTE/AT&T agreement in full pursuant to Section 252(i) of the Telecommunications Act of 1996.

Sprint seeks your company's acceptance of Sprint's decision to exercise its Section 252(i) adoption rights. We would appreciate confirmation of this so that we may state your acquiescence in our adoption / election application, which we hope to file in the next few weeks.

Finally, I would appreciate receiving copies of the above-referenced agreement. First, a hard copy (with signatures and dates) would be greatly appreciated, and secondly, an electronic copy is requested.

I thank you very much for your consideration.

Sincerely,

Andrew Jones

AMJ/aj

INTERCONNECTION, RESALE  
AND UNBUNDLING

AGREEMENT

between

GTE NORTHWEST INCORPORATED

and

SPRINT COMMUNICATIONS COMPANY, L.P.

The filing of this arbitrated Agreement with the Washington Utilities and Transportation Commission in accordance with the Arbitrator's Report dated December 11, 1996, the Arbitrator's Supplemental Report dated February 4, 1997, the Decision Maker's Resolution of Contract Language Disputes dated June 2, 1997 and the Commission Order Approving Interconnection Agreement effective August 25, 1997 (collectively, the "Order") with respect to Sprint Communications Company, L. P. Petition for Arbitration pursuant to Section 252(b) of the Telecommunications Act of 1996 to establish an interconnection agreement between Sprint Communications Company, L. P. and GTE Northwest Incorporated, Docket No. UT-960307, does not in any way constitute a waiver by either Sprint Communications Company, L. P. or GTE Northwest Incorporated, of any right which any such Party may have to appeal to a competent court of law, or to petition the Washington Utilities and Transportation Commission for reconsideration of any determination contained in the Order, or any provision included in this Agreement pursuant to the Order.

In this document the Parties attempt to comply with the Order which directs the Parties to reduce to contractual language the substantive provisions and directives of the Order. Nothing contained herein shall be construed or is intended to be a concession or admission by either Party that any such provision of the Order or the language herein complies with the duties imposed by the Telecommunications Act of 1996, the decisions of the FCC and the Washington Utilities and Transportation Commission, or other law, and each Party thus expressly reserves its full right to assert and pursue claims that the Order does not comport with applicable law.

**TABLE OF CONTENTS**

| <b><u>Section</u></b>   | <b><u>Page</u></b> |
|---|--------------------|
| PREFACE.....  | 1                  |
| AGREEMENT.....  | 1                  |
| RECITALS.....   | 1                  |
| SCOPE, INTENT AND DEFINITIONS.....  | 2                  |
| GENERAL TERMS AND CONDITIONS.....   | 3                  |
| 1. PROVISION OF LOCAL SERVICE, UNBUNDLED NETWORK ELEMENTS AND INTERCONNECTION | 3                  |
| 2. TERM OF AGREEMENT.....   | 3                  |
| 3. TERMINATION OF AGREEMENT; TRANSITIONAL SUPPORT.....                        | 4                  |
| 4. GOOD FAITH PERFORMANCE.....  | 5                  |
| 5. OPTION TO OBTAIN LOCAL SERVICES OR NETWORK ELEMENTS UNDER OTHER AGREEMENTS |                    |
| 6. RESPONSIBILITY OF EACH PARTY.....  | 5                  |
| 7. GOVERNMENTAL COMPLIANCE.....   | 6                  |
| 8. RESPONSIBILITY FOR ENVIRONMENTAL CONTAMINATION.....                        | 6                  |
| 9. REGULATORY MATTERS.....  | 9                  |
| 10. LIABILITY AND INDEMNITY.....  | 10                 |
| 11. SERVICE PARITY AND STANDARDS.....   | 12                 |
| 12. CUSTOMER CREDIT HISTORY.....  | 12                 |
| 13. FORCE MAJEURE.....  | 13                 |
| 14. CERTAIN STATE AND LOCAL TAXES.....  | 14                 |
| 15. ALTERNATIVE DISPUTE RESOLUTION.....                                       | 14                 |
| 16. NOTICES.....  | 15                 |
| 17. CONFIDENTIALITY AND PROPRIETARY INFORMATION.....                          | 16                 |
| 18. BRANDING.....   | 18                 |
| 19. DIRECTORY LISTINGS AND DIRECTORY DISTRIBUTION.....                        | 19                 |

SPRINT AGREEMENT

|   |           |
|---|-----------|
| 20. DIRECTORY ASSISTANCE LISTING INFORMATION .....  | 22        |
| 21. BUSY LINE VERIFICATION AND BUSY LINE VERIFICATION INTERRUPT .....                                     | 22        |
| 22. NUMBER ASSIGNMENT.....  | 23        |
| 23. MISCELLANEOUS.....  | 23        |
| <b>PART I LOCAL SERVICES RESALE.....</b>  | <b>28</b> |
| 24. TELECOMMUNICATIONS SERVICES PROVIDED FOR RESALE.....  | 28        |
| 25. GENERAL TERMS AND CONDITIONS FOR RESALE .....   | 28        |
| 26. REQUIREMENTS FOR SPECIFIC SERVICES.....   | 30        |
| 27. ADVANCED INTELLIGENT NETWORK .....  | 32        |
| 28. ROUTING TO DIRECTORY ASSISTANCE, OPERATOR AND REPAIR SERVICES .....                                   | 32        |
| 29. SERVICE SUPPORT FUNCTIONS.....  | 35        |
| 30. PAY PHONE LINES AND PAY PHONE SERVICES.....   | 40        |
| <b>PART II: UNBUNDLED NETWORK ELEMENTS .....</b>  | <b>44</b> |
| 31. INTRODUCTION.....   | 44        |
| 32. UNBUNDLED NETWORK ELEMENTS .....  | 44        |
| <b>PART III: ANCILLARY FUNCTIONS .....</b>  | <b>47</b> |
| 33. INTRODUCTION.....   | 47        |
| 34. GTE PROVISION OF ANCILLARY FUNCTIONS.....   | 47        |
| 35. STANDARDS FOR ANCILLARY FUNCTIONS .....   | 47        |
| <b>PART IV: INTERCONNECTION PURSUANT TO SECTION 251(C)(2).....</b>  | <b>49</b> |
| 36. SCOPE .....   | 49        |
| 37. INTERCONNECTION POINTS AND METHODS.....   | 49        |
| 38. TRANSMISSION AND ROUTING OF TELEPHONE EXCHANGE SERVICE TRAFFIC PURSUANT TO<br>SECTION 251(C)(2) ..... | 55        |
| 39. TRANSMISSION AND ROUTING OF EXCHANGE ACCESS TRAFFIC.....  | 58        |
| 40. TRANSPORT AND TERMINATION OF INFORMATION SERVICES TRAFFIC .....                                       | 58        |
| 41. INSTALLATION, MAINTENANCE, TESTING AND REPAIR.....  | 59        |

## ATTACHMENTS

|               |  |
|---------------|--|
| Attachment 1  | Alternative Dispute Resolution                                       |
| Attachment 2  | Services Description: Unbundled Network Elements ("UNE")             |
| Attachment 3  | Service Description: Ancillary Functions                             |
| Attachment 4  | Provisioning and Ordering - UNE                                      |
| Attachment 5  | Maintenance for Local Services Resale and UNE                        |
| Attachment 6  | Local Services Resale, UNE and Interconnection Billing and Recording |
| Attachment 7  | Provision of Customer Usage Data                                     |
| Attachment 8  | Local Number Portability   |
| Attachment 9  | Network Security   |
| Attachment 10 | Acronyms   |
| Attachment 11 | Definitions  |
| Attachment 12 | Service Quality Standards and Processes                              |
| Attachment 13 | Electronic Interface for Operations Support Systems                  |
| Attachment 14 | Pricing  |
| Attachment 15 | Reciprocal Compensation For Call Termination Agreement               |



## PREFACE

## AGREEMENT

This Agreement is entered into as of the \_\_\_\_ day of \_\_\_\_\_, 1997, by and between Sprint Communications Company, L. P., a Washington Corporation having an office at 7301 College Blvd.-KSOPKV0214, Overland Park, Kansas 66210, in its capacity as a certified provider of local dial-tone service ("Sprint"), and GTE Northwest Incorporated, a Washington Corporation, having an office for purposes of this Agreement at 600 Hidden Ridge Drive, Irving, Texas 75038 ("GTE"), in its capacity as an incumbent local exchange carrier. This Agreement covers services only in the state of Washington (the "State").

## RECITALS

WHEREAS, The Telecommunications Act of 1996 (the "Act") was signed into law on February 8, 1996; and

WHEREAS, the Act places certain duties and obligations upon, and grants certain rights to, Telecommunications Carriers, with respect to the interconnection of their networks, resale of their telecommunications services, access to their poles, ducts, conduits and rights of way and, in certain cases, the offering of certain unbundled network elements and physical collocation of equipment in Local Exchange Carrier premises, and

WHEREAS, GTE is an Incumbent Local Exchange Carrier; and

WHEREAS, Sprint is a Telecommunications Carrier and has requested that GTE negotiate an agreement with Sprint for the provision of Network Elements, Local Services for resale, collocation and access to poles, ducts, conduits and rights of way and the reciprocal provision of interconnection services pursuant to the Act and in conformance with GTE's and Sprint's duties under the Act; and

WHEREAS, interconnection between competing Local Exchange Carriers (LECs) is necessary and desirable for the mutual exchange and termination of traffic originating on each LEC's network and the Parties desire to exchange such traffic and related signaling in a technically and economically efficient manner at defined and mutually agreed upon points of interconnection.

## **SCOPE, INTENT AND DEFINITIONS**

This Agreement governs the purchase by Sprint of certain telecommunications services provided by GTE in its service areas for resale by Sprint, the purchase by Sprint of certain unbundled network elements from GTE, the terms and conditions of the collocation of certain equipment of Sprint in the premises of GTE, the provision by GTE of access to its poles, conduits and rights of way and the reciprocal interconnection of each Party's local facilities for the exchange of traffic.

The Parties agree that their entry into this Agreement is without prejudice to any positions they may have taken previously, or may take in the future, in any legislative, regulatory, judicial or other public forum addressing any matters, including matters related to the same types of arrangements covered in this Agreement.

For purposes of this Agreement, certain terms have been defined in Attachment 11 and elsewhere in this Agreement to encompass meanings that may differ from the normal connotation of the defined word. A defined word intended to convey its special meaning is capitalized when used. Unless the context clearly indicates otherwise, any term defined or used in the singular shall include the plural. The words "shall" and "will" are used interchangeably throughout this Agreement and the use of either connotes a mandatory requirement. The use of one or the other shall not mean a different degree of right or obligation for either Party. Other terms that are capitalized, and not defined in this Agreement, shall have the meaning given them in the Act. For convenience of reference only, Attachment 10 provides a list of acronyms used throughout this Agreement.

## **GENERAL TERMS AND CONDITIONS**

### **1. Provision of Local Service, Unbundled Network Elements and Interconnection**

This Agreement, which consists of these General Terms and Conditions and Attachments 1-15 and their accompanying Appendices, sets forth the terms, conditions and prices under which GTE agrees to provide (a) telecommunications services for resale (hereinafter referred to as "Local Services") and (b) certain unbundled Network Elements, Ancillary Functions and additional features to Sprint or combinations of such Network Elements ("Combinations"), for purposes of offering telecommunications services of any kind, including, but not limited to, local exchange services, intrastate toll services, and intrastate and interstate exchange access services and (c) access to GTE's poles, conduits and rights of way. This Agreement also sets forth the terms and conditions for the interconnection of Sprint's local network to GTE's local network ("Interconnection Services") and the reciprocal compensation to be paid by each Party to the other for the transport and termination of Local Traffic of the other Party. The Network Elements, Combinations or Local Services provided pursuant to this Agreement may be connected to other Network Elements, Combinations or Local Services provided by GTE or to any Network Elements, Combinations or Local Services provided by Sprint itself or by any other vendor. Subject to the requirements of this Agreement, Sprint may, at any time add or delete the Local Services, or Network Elements or Combinations purchased hereunder.

### **2. Term of Agreement**

This Agreement shall become effective in accordance with Section 23.8 (the "Effective Date"), and shall remain effective for a period of three (3) years. This Agreement shall continue in effect for consecutive one (1) year terms thereafter unless either Party gives the other Party at least ninety (90) calendar days written notice of termination, which termination shall be effective at the end of the initial term.

3. **Termination of Agreement; Transitional Support**

- 3.1 Subject to any applicable restrictions and requirements contained elsewhere in this Agreement, Sprint may elect at any time to terminate this entire Agreement at Sprint's sole discretion, upon ninety (90) days prior written notice to GTE. Unless otherwise provided in this Agreement, in such case, Sprint's liability shall be limited to payment of the amounts due for Local Services, Network Elements, Combinations and Interconnection Services provided up to and including the date of termination. The Parties recognize that provision of uninterrupted service to customers is vital and services must be continued without interruption. Upon the termination or expiration of this Agreement, Sprint may itself provide or retain another vendor to provide comparable Local Services, Network Elements, or Combinations. GTE agrees to cooperate in an orderly and efficient transition to Sprint or another vendor such that the level and quality of the Local Services, Network Elements and Combinations are not degraded and to exercise reasonable efforts to assist in an orderly and efficient transition.
- 3.2 Sprint may terminate any Local Service(s), Network Element(s) or Combination(s) provided under this Agreement upon thirty (30) days written notice to GTE, unless a different notice period or different conditions are specified for termination of such Local Service(s), Network Element(s) or Combination(s) in this Agreement, in which event such specific period and conditions shall apply.
- 3.3 GTE will not discontinue any unbundled Network Element, Ancillary Function or Combination thereof during the term of this Agreement without Sprint's written consent which consent shall not be unreasonably withheld, except (1) to the extent required by network changes or upgrades, in which event GTE will comply with the network disclosure requirements stated in the Act and the FCC's implementing regulations; or (2) if required by a final order of the Court, the FCC or the Commission as a result of remand or appeal of the FCC's order In the Matter of Implementation of Local Competition Provisions of the Telecommunications Act of 1996, Docket 96-98. In the event such a final order allows but does not require discontinuance, GTE shall make a proposal for Sprint's approval, and if the Parties are unable to agree, either Party may submit the matter to the Dispute resolution procedures described in Attachment 1. GTE will not discontinue any Local Service or Combination of Local Services without providing 45 days advance written notice to Sprint, provided however, that if such services are discontinued with less than 45 days notice to the regulatory authority, GTE will notify Sprint at the same time it determines to discontinue the service. If GTE grandfathers a Local Service or combination of Local Services, GTE shall grandfather the service for all Sprint resale customers who subscribe to the service as of the date of discontinuance.

- 3.4 Either Party may terminate this Agreement at any time by giving written notice in writing to the other Party in the event the other Party files a petition for bankruptcy, is declared bankrupt, is insolvent, makes an assignment for the benefit of creditors, or goes into liquidation or receivership. In addition, either Party may terminate this Agreement in the event of a Party's refusal or failure to pay all or any portion of any amount required to be paid to the other Party as and when due; provided however that the Party allegedly due payment (1) notifies the other Party of the amounts due, (2) utilizes the ADR process set forth in Attachment 1, (3) obtains a favorable final ruling in that process and (4) does not receive payment within thirty (30) calendar days of the final ruling. There shall be no other reason for the unilateral termination of this Agreement.

4. **Good Faith Performance**

In the performance of their obligations under this Agreement, the Parties shall act in accordance with the good faith requirements of the Act. In situations in which notice, consent, approval or similar action by a Party is permitted or required by any provision of this Agreement, (including, without limitation, the obligation of the Parties to further negotiate the resolution of new or open issues under this Agreement), such action shall not be unreasonably delayed, withheld or conditioned.

5. **Section 252(i) Election**

GTE shall allow Sprint to elect terms other than those set forth in this Agreement to the extent required by Section 252 of the Act, final regulations thereunder and relevant court decisions.

6. **Responsibility of Each Party**

Each Party is an independent contractor, and has and hereby retains the right to exercise full control of and supervision over its own performance of its obligations under this Agreement and retains full control over the employment, direction, compensation and discharge of all employees assisting in the performance of such obligations. Each Party will be solely responsible for all matters relating to payment of such employees, including compliance with social security taxes, withholding taxes and all other regulations governing such matters. Subject to the limitations on liability contained in this Agreement and except as otherwise provided in this Agreement, each Party shall be responsible for (i) its own acts and performance of all obligations imposed by Applicable Law in connection with its activities, legal status and property, real or personal and, (ii) the acts of its own affiliates, employees,

agents and contractors during the performance of that Party's obligations hereunder.

7. **Governmental Compliance**

Sprint and GTE each shall comply with all Applicable Law that relates to i) its obligations under or activities in connection with this Agreement; or ii) its activities undertaken at, in connection with or relating to Work Locations. Sprint and GTE each agree to indemnify, defend (at the other Party's request) and save harmless the other, each of its officers, directors and employees from and against any losses, damages, claims, demands, suits, liabilities, fines, penalties and expenses (including reasonable attorneys' fees) that arise out of or result from its failure or the failure of its contractors or agents to so comply. Each Party will be solely responsible for obtaining from governmental authorities, building owners, other carriers, and any other persons or entities, all rights and privileges which are necessary for such Party to perform its obligations under this Agreement.

8. **Responsibility For Environmental Contamination**

8.1 Sprint shall in no event be liable to GTE for any costs whatsoever resulting from the presence of any Environmental Hazard that Sprint did not introduce to the affected Work Location or the Release of any Environmental Hazard that Sprint did not cause at the affected Work Location. GTE shall indemnify, defend (at Sprint's request) and hold harmless Sprint, each of its officers, directors and employees from and against any losses, damages, claims, demands, suits, liabilities, fines, penalties and expenses (including reasonable attorneys' fees) that arise out of or result from (i) any Environmental Hazard that GTE, its contractors or agents introduce to the Work Locations or (ii) any Environmental Hazard that GTE, its contractors or agents Releases at the Work Locations.

GTE shall in no event be liable to Sprint for any costs whatsoever resulting from the presence of any Environmental Hazard that GTE did not introduce to the affected Work Location or the Release of any Environmental Hazard that GTE did not cause at the affected Work Location. Sprint shall indemnify, defend (at GTE's request) and hold harmless GTE, each of its officers, directors and employees from and against any losses, damages, claims, demands, suits, liabilities, fines, penalties and expenses (including reasonable attorney's fees) that arise out of or result from (i) any Environmental Hazard that Sprint, its contractors or agents introduce to the Work Locations or (ii) any Environmental Hazard that Sprint, its contractor or agents Release at the Work Locations.

8.2 GTE and Sprint agree to comply with applicable federal, state and local environmental and safety laws and regulations including U.S. Environmental

- Protection Agency (EPA) regulations issued under the Clean Air Act, Clean Water Act, Resource Conservation and Recovery Act, Comprehensive Environmental Response, Compensation and Liability Act, Superfund Amendments and Reauthorization Act and the Toxic Substances Control Act and OSHA regulations issued under the Occupational Safety and Health Act of 1970 applicable to their performance under this Agreement. Each Party has the responsibility to notify the other if compliance inspections occur, and/or citations are issued, at Work Locations that impact any aspect of performance under this Agreement or involve potential employee exposure.
- 8.3 GTE shall provide prompt reasonable notice to Sprint of known and discovered physical hazards or hazardous chemicals at any portion of an affected Work Location which Sprint uses, and Sprint shall provide prompt reasonable notice to GTE of known and discovered physical hazards or hazardous chemicals at any portion of an affected Work Location which Sprint uses. This includes Material Safety Data Sheets (MSDSs), when necessary, for materials existing at, or brought on site to, the affected Work Location by the party with the obligation to notify the other. Each Party is required to provide specific notice for imminent danger conditions which could include, but is not limited to, a defective utility pole or significant petroleum contamination in a manhole.
- 8.4 Sprint and GTE will make available to each other their respective internal environmental control or safety procedures for review in planning work at a GTE Work Location. These practices/procedures will represent the regular work practices required to be followed by the employees and contractors for safety and environmental protection. Sprint will follow its practices unless for a specific Work Location or emergency procedure, GTE's practice provides a greater degree of safety or environmental control.
- 8.5 Any materials brought to, stored at, or otherwise remaining at a Work Location belong to the party which brought the materials to, is storing the materials at, or is otherwise causing the materials to remain at the Work Location. Both parties have a duty to cooperate with each other in introducing new hazardous materials or other new environmental hazards at a Work Location to minimize adverse impacts on safety. Each party must demonstrate adequate emergency response capabilities for materials it uses, stores, or causes to remain at the other party's Work Location.
- 8.6 Sprint agrees to promptly notify GTE of any third-party contamination it discovers at a GTE affected Work Location. Notification obligations to regulatory authorities shall be the responsibility of GTE to evaluate and act upon, unless Sprint is required by applicable law to directly report.

- 8.7 Sprint agrees to obtain and use its own environmental permits, if necessary for its performance under this Agreement. If GTE's permit or EPA identification number must be used, Sprint must comply with applicable GTE environmental procedures, including environmental "best management practices (BMP)" and/or selection of disposition vendors and disposal sites to the extent provided by GTE. In the event that Sprint must use GTE's vendors for waste disposal, GTE assumes all liability for such materials, and GTE agrees to indemnify Sprint for any and all claims that may arise from such waste disposal.
- 8.8 Sprint visitors must comply with GTE security, fire safety, safety, environmental and building practices/codes including equivalent employee training when working in GTE Work Locations, to the extent provided by GTE. GTE will, to the extent possible, supply such practices/codes to Sprint prior to Sprint's first entry into the Work Location.
- 8.9 GTE and Sprint shall coordinate plans or information required to be submitted to government agencies, such as emergency response plans and community reporting if applicable to their performance under this Agreement. If fees are associated with any required filing, GTE and Sprint will develop a cost sharing procedure. GTE and Sprint will determine for each Work Location which party has the lead responsibility for such filings and coordination.
- 8.10 Activities impacting safety or the environment of a Right of Way must be harmonized with the specific agreement and the relationship between GTE and the private land owner. This may include limitations on equipment access due to environmental conditions (e.g., wetland area with equipment restrictions).
- 8.11 For the purposes of this Section 8 only, the following terms have the meanings set forth in this subsection 8.11:
- hazardous chemical: Means any chemical which is a health hazard or physical hazard as defined in the U.S. Occupational Safety and Health (OSHA) hazard communication standard (29 CFR 1910.1200).
- third party contamination: Environmental pollution that is not generated by the LEC or CLEC but results from off-site activities impacting an affected Work Location.
- 8.12 **Spill and Release Notifications**
- GTE and Sprint shall promptly notify the other of any spill or release of a Regulated Material at the facility. GTE's obligation under this Section is limited to those spills or releases likely to impact the portion of the facility used by Sprint, or any portion of the facility where Sprint personnel are reasonably expected to be present. Sprint shall be responsible for



reporting any spill or release of a Regulated Material occurring as part of or in connection with its operations that must be reported to any regulatory authority. Sprint will consult with GTE prior to making such report, unless the time required for prior consultation would preclude Sprint from complying with the applicable reporting requirement.

8.13 **Management of Manhole or Vault Water**

When conducting operations in any GTE manhole or vault area, Sprint shall follow the Sprint or GTE practice/procedure that provides the greatest degree of environmental control in evaluating and managing any water present in the manhole or vault area. Sprint shall be responsible for obtaining any permit or other regulatory approval necessary for any of its operations involving the evaluation, collection, discharge, storage, disposal, or other management of water present in a GTE manhole or vault area. GTE shall not be responsible for any costs incurred by Sprint in meeting its obligations under this Section unless GTE placed or otherwise caused materials or substances to be present in the manhole or vault area.

9. **Regulatory Matters**

9.1 GTE shall be responsible for obtaining and keeping in effect all FCC, state regulatory commission, franchise authority and other regulatory approvals that may be required in connection with the performance of its obligations under this Agreement. Sprint shall be responsible for obtaining and keeping in effect all FCC, state regulatory commission, franchise authority and other regulatory approvals that may be required in connection with its offering of services to Sprint Customers contemplated by this Agreement. Sprint shall reasonably cooperate with GTE in obtaining and maintaining any required approvals for which GTE is responsible, and GTE shall reasonably cooperate with Sprint in obtaining and maintaining any required approvals for which Sprint is responsible.

9.2 Nothing in this Agreement shall be construed to deny either Party the right to file tariffs from time to time in the normal course of business. If GTE files a tariff that changes the price, term or other condition of a retail service offered for resale under Section 24 hereunder, such tariff change shall apply to modify the appropriate price, term or condition of such retail service under this Agreement. In the case of tariff changes affecting other prices, terms or conditions of this Agreement other than retail services offered for resale, the Commission shall determine on a case by case basis whether any such tariff change will apply to modify the relevant price, term or condition of this Agreement.

9.3 If any effective legislative, regulatory, judicial or other legal actions, including a change in Applicable Law, materially affects any material terms of this Agreement, or the ability of Sprint or GTE to perform any material terms of this Agreement, Sprint or GTE may, on thirty (30) days written notice (delivered not later than 30 days following the date on which such action has become effective) request that such term(s) be renegotiated, and the parties agree to so negotiate in good faith such mutually acceptable new term(s). If agreement is not achieved within thirty (30) days, either party may request mediation, in which case the parties shall submit to voluntary mediation.

10. **Liability and Indemnity**

10.1 **Liabilities of Sprint** - Sprint's liability to GTE during any Contract Year resulting from any and all causes under this Agreement, other than as specified in Sections 7, 8, 10.3 and 10.4 below, shall not exceed an amount equal to the amount due and owing by Sprint to GTE under this Agreement during the Contract Year in which such cause accrues or arises.

10.2 **Liabilities of GTE** - GTE's liability to Sprint during any Contract Year resulting from any and all causes under this Agreement, other than as specified in Sections 7, 8 and 10.4 below, shall not exceed an amount equal to any amounts due and owing by Sprint to GTE under this Agreement during the Contract Year in which such cause accrues or arises.

10.3 **No Consequential Damages** - NEITHER SPRINT NOR GTE SHALL BE LIABLE TO THE OTHER PARTY FOR ANY INDIRECT, INCIDENTAL, CONSEQUENTIAL, RELIANCE, OR SPECIAL DAMAGES SUFFERED BY SUCH OTHER PARTY (INCLUDING WITHOUT LIMITATION DAMAGES FOR HARM TO BUSINESS, LOST REVENUES, LOST SAVINGS, OR LOST PROFITS SUFFERED BY SUCH OTHER PARTIES), REGARDLESS OF THE FORM OF ACTION, WHETHER IN CONTRACT, WARRANTY, STRICT LIABILITY, OR TORT, INCLUDING WITHOUT LIMITATION NEGLIGENCE OF ANY KIND WHETHER ACTIVE OR PASSIVE, AND REGARDLESS OF WHETHER THE PARTIES KNEW OF THE POSSIBILITY THAT SUCH DAMAGES COULD RESULT. EACH PARTY HEREBY RELEASES THE OTHER PARTY AND SUCH OTHER PARTY'S SUBSIDIARIES AND AFFILIATES, AND THEIR RESPECTIVE OFFICERS, DIRECTORS, EMPLOYEES AND AGENTS FROM ANY SUCH CLAIM.

10.4 **Obligation to Indemnify**

Each Party shall, and hereby agrees to, defend at the other's request, indemnify and hold harmless the other Party and each of its officers, directors, employees and agents (each, an "Indemnitee") against and in respect of any loss, debt, liability, damage, obligation, claim, demand, judgment or settlement or any nature or kind, known or unknown, liquidated or unliquidated, including

without limitation all reasonable costs and expenses incurred (legal, accounting or otherwise) (collectively, "Damages") arising out of, resulting from or based upon any pending or threatened claim, action, proceeding or suit by any third party (a "Claim"): (i) based upon injuries or damage to any person or property or the environment arising out of or in connection with this Agreement, that are the result of such Indemnifying Party's actions, breach of Applicable Law, or breach of representations, warranties or covenants made in this Agreement, or the actions, breach of Applicable Law or of this Agreement by its officers, directors, employees, agents and subcontractors, or (ii) for actual or alleged infringement of any patent, copyright, trademark, service mark, trade name, trade dress, trade secret or any other intellectual property right now known or later developed (referred to as "Intellectual Property Rights") to the extent that such claim or action arises from the Indemnifying Party's or the Indemnifying Party's Customer's use of the Network Elements, Ancillary Functions, Combinations, Local Services or other services provided under this Agreement.

- 10.5 **Obligation to Defend; Notice; Co-operation** - Whenever a Claim shall arise for indemnification under this Agreement, the relevant Indemnitee, as appropriate, shall promptly notify the Indemnifying Party and request the Indemnifying Party to defend the same. Failure to so notify the Indemnifying Party shall not relieve the Indemnifying Party of any liability that the Indemnifying Party might have, except to the extent that such failure prejudices the Indemnifying Party's ability to defend such Claim. The Indemnifying Party shall have the right to defend against such liability or assertion in which event the Indemnifying Party shall give written notice to the Indemnitee of acceptance of the defense of such Claim and the identity of counsel selected by the Indemnifying Party. Except as set forth below, such notice to the relevant Indemnitee shall give the Indemnifying Party full authority to defend, adjust, compromise or settle such Claim with respect to which such notice shall have been given, except to the extent that any compromise or settlement shall prejudice the Intellectual Property Rights of the relevant Indemnitees. The Indemnifying Party shall consult with the relevant Indemnitee prior to any compromise or settlement that would affect the Intellectual Property Rights of any Indemnitee, and the relevant Indemnitee shall have the right to refuse such compromise or settlement and, at the refusing Party's or refusing Parties' cost, to take over such defense, provided that in such event the Indemnifying Party shall not be responsible for, nor shall it be obligated to indemnify the relevant Indemnitee against, any cost or liability in excess of such refused compromise or settlement. With respect to any defense accepted by the Indemnifying Party, the relevant Indemnitee shall be entitled to participate with the Indemnifying Party in such defense to the extent the Claim requests equitable relief or other relief that could affect the rights of the Indemnitee and also shall be entitled to employ

separate counsel for such defense at such Indemnitee's expense. In the event the Indemnifying Party does not accept the defense of any indemnified Claim as provided above, the relevant Indemnitee shall have the right to employ counsel for such defense at the expense of the Indemnifying Party. Each Party agrees to cooperate and to cause its employees and agents to cooperate with the other Party in the defense of any such Claim and the relevant records of each Party shall be available to the other Party with respect to any such defense.

**11. Service Parity and Standards**

11.1 Notwithstanding anything in this Agreement to the contrary, GTE shall meet any service standard imposed by the FCC or by any state regulatory authority for any Local Services, Unbundled Network Elements, Ancillary Functions and Interconnection provided by GTE to Sprint for resale.

11.2 GTE shall ensure that the quality of Local Services, network elements, ancillary functions, and interconnection provided to Sprint are at least equal in quality to that provided by GTE to itself.

11.3 GTE and Sprint agree to implement standards to measure the quality of the Local Services and Unbundled Network Elements supplied by GTE, in particular with respect to pre-ordering, ordering/provisioning, maintenance and billing. These quality standards are described in Attachment 12. In the event of a violation of Quality Standards by either Party, which the Complaining Party alleges constitutes a breach of this Agreement, the Complaining Party may elect, subject to the procedures set forth in Attachment 1, either (1) to seek such money damages as may be available at law; or (2) to claim the penalties specified in Attachment 12, but the Complaining Party may not seek both (1) and (2) based on the same alleged breach; provided, however, that nothing in this sentence shall prevent the Complaining Party from seeking equitable relief at the same time that it pursues a claim for money damages or a claim under Attachment 12.

11.4 [Intentionally Left Blank]

11.5 If Sprint requests a standard higher than GTE provides to itself, such request shall be made as a Bona Fide Request pursuant to Attachment 12, and GTE may provide such standard to the extent technically feasible. Sprint shall pay the incremental cost of such higher standard or other measurement of quality.

**12. Customer Credit History**

12.1 Sprint and GTE agree to make available to a designated third-party credit bureau, on a timely basis, such of the following customer payment history

information that is available solely from internal business records of the providing Party for each person or entity that applies for local or IntraLATA toll Telecommunications Service(s) from either carrier. Such information shall be provided on the condition that the credit bureau will only make such information available to the carrier to which the person or entity in question has applied for Telecommunication Service.

Applicants name;  
Applicant's address;  
Applicant's previous phone number; if any;  
Amount, if any, of unpaid balance in applicant's name;  
Whether applicant is delinquent on payments;  
Length of service with prior local or IntraLATA toll provider;  
Whether applicant had local or IntraLATA toll service terminated or suspended within the last six months with an explanation of the reason therefor; and  
Whether applicant was required by prior local or IntraLATA toll provider to pay a deposit or make an advance payment, including the amount of each.

Nothing contained herein shall require either Party to undertake obligations which would subject that Party to requirements or liabilities as a consumer reporting agency under 15 U.S.C. §1681 et seq. and its implementing regulations or any similar statute, order or administrative rule of the State.

12.2 **Cooperation on Fraud Minimization** - The Parties shall cooperate with one another to investigate, minimize and take corrective action in cases of fraud. The Parties' fraud minimization procedures are to be cost effective and implemented so as not to unreasonably burden or harm one Party as compared to the other. At a minimum, such cooperation shall include, when permitted by law or regulation, providing the other Party, upon reasonable request, information concerning end users who terminate services to that Party without paying all outstanding charges, when that Party is notified that such end user seeks service from the other Party. If required, it shall be the responsibility of the Party seeking the information to secure the end user's permission (in the format required by law) to obtain the information. Although in most circumstances the end user's current telephone number may be retained by the end user when switching local service providers, if an end user has past due charges associated with the account, for which payment arrangements have not been made with one Party, the end user's previous telephone number will not be made available to the other Party until the end user's outstanding balance has been paid.

13. **Force Majeure**

13.1 Except as otherwise specifically provided in this Agreement, neither Party shall be liable for any delay or failure in performance of any part of this Agreement caused by any condition beyond the reasonable control of the Party claiming excusable delay or other failure to perform, including acts of the United States of America or any state, territory or political subdivision thereof, acts of God or a public enemy, fires, floods, freight embargoes, earthquakes, volcanic actions, wars, or civil disturbances. If any Force Majeure condition occurs, the Party whose performance fails or is delayed because of such Force Majeure condition shall give prompt notice to the other Party, and upon cessation of such Force Majeure condition, shall give like notice and commence performance hereunder as promptly as reasonably practicable, including implementation of disaster recovery plans.

13.2 Notwithstanding subsection 1, preceding, no delay or other failure to perform shall be excused pursuant to this Section:

(i) by the acts or omission of a Party's subcontractors, material men, suppliers or other third persons providing products or services to such Party unless such acts or omissions are themselves the product of a Force Majeure condition, and

(ii) unless such delay or failure and the consequences thereof are beyond the reasonable control and without the fault or negligence of the Party claiming excusable delay or other failure to perform.

14. **Certain State and Local Taxes**

Any state or local excise, sales, or use taxes (excluding any taxes levied on income) resulting from the performance of this Agreement shall be borne by the Party upon which the obligation for payment is imposed under applicable law, even if the obligation to collect and remit such taxes is placed upon the other Party. The collecting Party shall charge and collect from the obligated Party, and the obligated Party agrees to pay to the collecting Party, all applicable taxes, except to the extent that the obligated Party notifies the collecting Party and provides to the collecting Party appropriate documentation that qualifies the obligated Party for a full or partial exemption. Any such taxes shall be shown as separate items on applicable billing documents between the Parties. The obligated Party may contest the same in good faith, at its own expense, and shall be entitled to the benefit of any refund or recovery, provided that such Party shall not permit any lien to exist on any asset of the other Party by reason of the contest. The collecting Party shall cooperate in any such contest by the other Party, provided that the contesting Party shall pay the reasonable expenses of the collecting Party for any such cooperative activities.

15. **Alternative Dispute Resolution**

All Disputes arising under this Agreement or the breach hereof, except those arising pursuant to Attachment 6, Connectivity Billing, shall be resolved according to the procedures set forth in Attachment 1. Disputes involving matters subject to the Connectivity Billing provisions contained in Attachment 6, shall be resolved in accordance with the Billing Disputes section of Attachment 6. In no event shall the Parties permit the pendency of a Dispute to disrupt service to any customer of any Party contemplated by this Agreement except in the case of default and termination of this Agreement pursuant to Section 3.4. The foregoing notwithstanding, neither this Section 15 nor Attachment 1 shall be construed to prevent either Party from seeking and obtaining temporary equitable remedies, including temporary restraining orders.

16. **Notices**

Any notices or other communications required or permitted to be given or delivered under this Agreement shall be in hard-copy writing (unless otherwise specifically provided herein) and shall be sufficiently given if delivered personally or delivered by prepaid overnight express service or certified mail, return receipt requested or by facsimile (followed by a hard copy delivered by U.S. Mail or another method specified herein) to the following (unless otherwise specifically required by this Agreement to be delivered to another representative or point of contact):

If to Sprint:

Sprint Communications Company, L.P.  
W. Richard Morris  
Vice President – Local Market Integration  
7301 College Blvd.- KSOPKV0214  
Overland Park, Kansas 66210  
Telephone number: 913/534-6102  
Facsimile number: 913/534-6818

and

If to GTE:

GTE Northwest Incorporated  
600 Hidden Ridge Drive - HQEWMNOTICES  
Irving, TX 75038  
Telephone number: 972/718-6361  
Facsimile number: 972/718-3403  
Internet address: [wmnotices @telops.gte.com](mailto:wmnotices@telops.gte.com)

And

GTE Northwest Incorporated  
Attn: Director – Wholesale Contract Compliance  
Network Services  
600 Hidden Ridge Drive - HQEWMNOTICES  
Irving, TX 75038  
Telephone number: 972/718-5988  
Facsimile Number: 972-718-1519

Either Party may unilaterally change its designated representative and/or address for the receipt of notices by giving seven (7) days' prior written notice to the other Party in compliance with this Section. Any notice or other communication shall be deemed given when received.

17. **Confidentiality and Proprietary Information**

- 17.1 For the purposes of this Agreement, "Confidential Information" means confidential or proprietary technical or business information, in written or tangible form, given by the Discloser to the Recipient that is stamped, labeled, or otherwise designated as "Proprietary" or "Confidential" or that contains other words or symbols clearly indicating that the information is intended to be secure from public disclosure. "Confidential Information" also includes information that is intentionally provided or disclosed orally or visually if it is identified as proprietary or confidential when provided or disclosed and is summarized in a writing so marked and delivered within ten (10) days following such disclosure. "Confidential Information" also includes information that is observed or learned by one Party while it is on the premises (including leased collocation space) of the other Party. Notwithstanding the foregoing, all orders for Local Services, Network Elements or Combinations placed by Sprint pursuant to this Agreement, and information that would constitute Customer Proprietary Network Information of Sprint Customers pursuant to the Act and the rules and regulations of the FCC and Recorded Usage Data as described in Attachment 7, whether disclosed by Sprint to GTE or otherwise acquired by GTE in the course of the performance of this Agreement, shall be deemed Confidential Information of Sprint for all purposes under this Agreement whether or not specifically marked or designated as confidential or proprietary.
- 17.2 For the period set forth in Section 17.6, except as otherwise specified in this Agreement, the Recipient agrees (a) to use it only for the purpose of performing under this Agreement, (b) to hold it in confidence and disclose it to no one other than its employees or agents or consultants having a need to know for the purpose of performing under this Agreement, and (c) to



safeguard it from unauthorized use or disclosure with at least the same degree of care with which the Recipient safeguards its own Confidential Information. Any agent or consultant must have executed a written agreement of non-disclosure and non-use comparable in scope to the terms of this Section 17 which agreement shall be enforceable by the Discloser.

- 17.3 The Recipient may make copies of Confidential Information only as reasonably necessary to perform its obligations under this Agreement. All such copies shall be subject to the same restrictions and protections as the original and shall bear the same copyright and proprietary rights notices as are contained on the original.
- 17.4 The Recipient agrees to return to the Discloser all Confidential Information received in tangible form from the Discloser, including any copies made by the Recipient, within thirty (30) days after a written request is delivered to the Recipient, or to destroy or erase all such Confidential Information and certify as to such event, except for Confidential Information that the Recipient reasonably requires to perform its obligations under this Agreement or as otherwise required by applicable law. If either Party loses or makes an unauthorized disclosure of the other Party's Confidential Information, it shall notify such other Party as soon as is reasonably practicable after the loss is discovered and use reasonable efforts to retrieve the lost or wrongfully disclosed information.
- 17.5 The Recipient shall have no obligation to safeguard Confidential Information: (a) which was in the possession of the Recipient free of restriction on use or disclosure prior to its receipt from the Discloser; (b) after it becomes publicly known or available through no breach of this Agreement or other restriction on use or disclosure by the Recipient; (c) after it is rightfully acquired by the Recipient free of restrictions on its use or disclosure; or (d) after it is proven to be independently developed by personnel of the Recipient to whom the Discloser's Confidential Information had not been previously disclosed. In addition, either Party shall have the right to disclose Confidential Information to any mediator, arbitrator, state or federal regulatory body, the Department of Justice or any court in the conduct of any mediation, arbitration or approval of this Agreement subject to the requirements concerning notice and other measures specified in the last sentence of this Subsection. Additionally, the Recipient may disclose Confidential Information if so required by law, a court of competent jurisdiction, or governmental or administrative agency, so long as the Discloser has been notified of the requirement promptly after the Recipient becomes aware of the requirement, but prior to such disclosure and so long as the Recipient undertakes all lawful measures to avoid disclosing such information until Discloser has had reasonable time to seek a protective order and Discloser complies with any protective order that covers the Confidential Information to be disclosed.

- 17.6 Each Party's obligations with respect to Confidential Information disclosed prior to expiration or termination of this Agreement shall expire three (3) years from the date of receipt of the initial disclosure, regardless of any termination of this Agreement prior to such expiration date; provided that the duties with respect to Confidential Information that is software, protocols and interfaces shall expire fifteen (15) years from the date of the initial disclosure.
- 17.7 Except as otherwise expressly provided elsewhere in this Agreement, no license is hereby granted under any patent, trademark, copyright or other Intellectual Property Right, nor is any such license implied, solely by virtue of the disclosure of any Confidential Information.
- 17.8 Each Party agrees that the Discloser would be irreparably injured by a breach of this Agreement by the Recipient or its representatives and that the Discloser shall be entitled to seek equitable relief, including injunctive relief and specific performance, in the event of any breach of the provisions of this Section 17. Such remedies shall not be deemed to be the exclusive remedies for a breach of this Section 17, but shall be in addition to all other remedies available at law or in equity.
18. **Branding**
- 18.1 Sprint may, at its option, use the Network Elements, Combinations and Local Services provided in accordance with this Agreement to provide to its customers services branded as Sprint. Except as otherwise provided in this Agreement or specified in a separate writing by Sprint, Sprint shall provide the exclusive interface to Sprint Customers in connection with the marketing or offering of Sprint services. When a GTE technical representative goes to a customer premise on behalf of Sprint, in the event the representative has contact with the customer, the representative will indicate to the customer that he or she works for GTE but is at the customer premise on behalf of Sprint regarding Sprint service. If the customer is not at the premise at the time that the technical representative is at the premise, GTE agrees to deliver generic material or documents to the customer, and the representative will write Sprint's name on the document or material left for the customer. GTE personnel acting on behalf of Sprint will not discuss, provide, or leave information or material relative to GTE's services and products.
- 18.2 Operator Services and Directory Assistance provided by GTE to Sprint local service customers under this Agreement will be branded exclusively as Sprint services, where technically feasible. GTE will perform the necessary software upgrades to allow for rebranding of its Operator Services and Directory Assistance in Sprint's name on a switch by switch basis, subject to capability and capacity limitations; until those upgrades have been completed, GTE will provide rebranded services through alternate means to the extent technically

feasible. Where it is not technically feasible for GTE to provide Operator Services and Directory Assistance as rebranded services, then GTE will provide such services without any branding, if allowed by state laws and regulations. Live operators handling Operator Services and Directory Assistance calls from Sprint local service customers will identify themselves as Sprint operators; where such rebranding is not technically feasible, live operator response will be provided on an unbranded basis.

19. **Directory Listings and Directory Distribution**

GTE shall offer the following to Sprint:

- 19.1 **Directory Listings (White Pages)** - A basic listing for each Sprint Customer shall be included in the GTE white pages directory for such Sprint Customer's specific geographic area at no charge to Sprint or Sprint's Customers. Where an Sprint Customer has two numbers for a line due to the implementation of interim Local Number Portability, the second number shall be considered part of the White pages basic listing. Other listings that are made available to GTE Customers (e.g. additional listings, non-published status, foreign listings, etc.,) will be made available to Sprint Customers on the same rates, terms and conditions as available to GTE Customers. Sprint Customer Government listings will be listed in the same manner as GTE Customer Government listings.
- 19.2 **Directory Listings (Yellow Pages)** GTE will provide Sprint Customers with the same yellow page services on the same terms and conditions as those provided to GTE Customers. GTE will provide each Sprint Customer within the geographical area covered by the yellow pages directory a basic listing in GTE "yellow pages" under the classified heading that most accurately reflects the primary nature of the Sprint Customer's business at no charge to Sprint or Sprint Customers for this listing. GTE will supply Sprint with a list of authorized classified headings and will notify Sprint of any changes to such headings. Sprint agrees to supply GTE, on a regularly scheduled basis and in the format mutually agreed between Sprint and GTE, with a classified heading assignment for each Sprint Customer who wishes to receive this listing. GTE shall provide Sprint with monthly schedules (for a rolling twelve (12) month period) for Yellow Pages publications in the State.
- 19.3 **Listing Information** - Sprint agrees to supply GTE, on a regularly scheduled basis and in the format mutually agreed between Sprint and GTE, all listing information for Sprint Customers who wish to be listed in the white or yellow pages of the GTE published directory for that subscriber area. Listing information will consist of names, addresses (including city and ZIP code where provided in that directory) and telephone numbers. GTE shall employ the listing information for the production of GTE-published white and yellow

page directories. Listing inclusion in a given directory will be in accordance with directory configuration, scope and schedules established by GTE which are applicable to all GTE entities. GTE shall obtain Sprint's prior written approval for the use of Sprint Customers' listings for any other purpose. GTE will not sell or license, nor allow any third party, the use of Sprint subscriber listing and GTE will not disclose non-listed name or address information for any purpose without the prior written consent of Sprint, which shall not be unreasonably withheld. GTE will charge Sprint a reasonable service bureau extraction fee for all third party translations and Sprint will be free to establish its own fees for direct billing the third parties.

- 19.4 **Directory Distribution** - Initial directories will be provided to Sprint Customers for each Sprint Customer's specific geographic region on the same basis as GTE Customers within the same directory area. More specifically, GTE will not charge Sprint or Sprint Customers for annual distribution of directories. GTE will provide secondary distributions of directories (e.g. a new customer, requests for additional copies) to Sprint Customers at the same price that GTE is charged for secondary distribution by GTE Directories. Sprint shall pay GTE Directories for such secondary distributions based on GTE's agreement that the secondary distribution costs will be excluded from GTE's cost studies and resulting avoided cost discounts and prices for unbundled elements. Timing of such delivery and the determination of which Telephone Directories shall be delivered (by customer address, NPA/NXX or other criteria), and the number of Telephone Directories to be provided per customer, shall be provided under the same terms that GTE delivers Telephone Directories to GTE Customers. Sprint will supply GTE in a timely manner with all required subscriber mailing information, including non-listed and non-published subscriber mailing information, to enable GTE to perform its distribution responsibilities.
- 19.5 **Critical Customer Contact Information** - GTE will list in the information pages of its directories at no charge to Sprint, Sprint's critical customer contact information for business and residential customers regarding emergency services, billing, sales and service information, repair service and Sprint's logo. GTE shall list Competitive Local Exchange Carrier critical customer contact information on an alphabetical basis.
- 19.6 GTE shall also include, in the customer call guide page(s) of each Telephone Directory, up to four full pages of consolidated space for the inclusion of information about Sprint products and services, including addresses and telephone numbers for Sprint customer service. The form and content of such customer information shall be provided by Sprint to GTE and shall be subject to GTE review and approval, which approval shall not be unreasonably withheld. Sprint agrees to pay a price per page to be determined by GTE

Directories, provided that such price shall be nondiscriminatory to GTE and Sprint.

- 19.7 GTE shall, at no charge to Sprint, make available recycling services for Telephone Directories to Sprint Customers under the same terms and conditions that GTE makes such services available to its own local service customers.
- 19.8 Notwithstanding anything to the contrary contained herein, GTE may terminate this Section 19 as to a specific GTE exchange in the event that GTE sells or otherwise transfers the exchange to an entity other than a GTE Affiliate. GTE shall provide Sprint with at least ninety (90) days' prior written notice of such termination, which shall be effective on the date specified in the notice. Notwithstanding termination as to a specific exchange, this Section 19 shall remain in full force and effect in the remaining exchanges.
- 19.9 Notwithstanding the termination of this Section 19, the Parties' obligations with respect to any directories whose annual publication cycle has begun prior to the effective date of termination shall survive such termination. For example, if a Party terminates this Section 19 effective as of June 30, 1997, the Parties' survival obligations shall apply as follows:

| Exchange | Beginning of Publication Cycle | Expiration of Obligations |
|----------|--------------------------------|---------------------------|
| 1        | January 1, 1997                | December 31, 1997         |
| 2        | June 1, 1997                   | May 31, 1998              |
| 3        | August 1, 1997                 | June 30, 1997             |

a publication cycle begins the day following the listing activity close date for the current year's publication.

- 19.10 Directory Listing criteria shall be specified by GTE. GTE shall provide any changes to its Directory Listing Criteria thirty (30) days in advance of such changes becoming effective. The Directory Listing criteria shall include:
- 19.10.1 Classified heading information;
- 19.10.2 Rules for White Pages and Yellow Pages listings (e.g., eligibility for free Yellow Pages listing, space restrictions, unlisted and unpublished listings, abbreviated listings, foreign listings, and heading requirements);
- 19.10.3 Identification of Enhanced White Pages and Enhanced Yellow Pages listings available;
- 19.10.4 Publication schedules for White Pages and Yellow Pages;

- 19.10.5 Identification of which Telephone Directories are provided to which customers by customer address, NPA/NXX or other criteria;
- 19.10.6 Telephone Directory delivery schedules;
- 19.10.7 Restrictions, if any, on number of Telephone Directories provided at no charge to customer;
- 19.10.8 Processes and terms and conditions for obtaining foreign Telephone Directories from GTE; and
- 19.10.9 Geographic coverage areas of each Telephone (by municipality and NPA/NXX).

20. **Directory Assistance Listing Information**

- 20.1 GTE shall include in its directory assistance database all directory assistance listing information, which consists of name and address ("DA Listing Information") for all Sprint Customers, including those with nonpublished and unlisted numbers, at no charge to Sprint.

GTE shall provide to Sprint, at Sprint's request, for purposes of Sprint providing Sprint-branded directory assistance services to its local customers, within thirty (30) days after the Effective Date, all published GTE DA Listing Information via magnetic tape delivered within twenty-four (24) hours of preparation, at a the rate specified in Attachment 14. Changes to the DA Listing Information shall be updated on a daily basis through the same means used to transmit the initial list. DA Listing Information provided shall indicate whether the customer is a residence or business customer.

- 20.2 Neither Party will release, sell, or license DA Listing Information that includes the other Party's end user information to third parties without the other Party's approval. The other Party shall inform the releasing Party if it desires to have the releasing Party provide the other Party's DA Listing Information to the third party, in which case, the releasing Party shall provide the other Party's DA Listing Information at the same time as the releasing Party provides the releasing Party's DA Listing Information to the third party. The rate to be paid by the releasing Party to the other Party for such sales shall be negotiated on a case-by-case basis.

21. **Busy Line Verification and Busy Line Verification Interrupt**

Prior to the exchange of traffic under this Agreement, each Party shall establish procedures whereby its operator bureau will coordinate with the operator bureau of the other Party to provide Busy Line Verification ("BLV") and Busy Line Verification Interrupt ("BLVI") services on calls between their

respective end users. Each Party shall route BLV and BLVI inquiries over separate inward operator services trunks. Each Party's operator assistance bureau will only verify and/or interrupt the call and will not complete the call of the end-user initiating the BLV or BLVI. Each Party shall charge the other for the BLV and BLVI services on a bill-and-keep basis.

22. **Number Assignment**

22.1 GTE shall allocate Central Office Codes, i.e. NXXs, in a neutral manner at parity with itself in those LATAs where GTE is the number administrator. GTE shall not charge a fee for the allocation of NXXs to Sprint for any costs including, but not limited to, programming expenses incurred by GTE in their role as number administrator; provided, however, that when responsibility for number assignment is transferred to a neutral third party, GTE shall charge a fee for such services to recover costs incurred that is consistent with the applicable rules and regulations for such.

22.2 GTE shall process all Sprint NXX requests in a timely manner as per the ICCF Code Assignment Guidelines and will provide numbers in any NPA/NXX associated with a terminating line within the boundaries of an LSO, in those LATAs where GTE is the number administrator.

22.3 GTE, during the interim period, will maintain its current process of notifying public utility commissions and state regulatory bodies of plans for NPA splits and code relief.

22.4 GTE shall treat as confidential, and solely for use in its role as Code Administrator and for no other purpose, any and all information received from Sprint regarding NPA/NXX forecasts. This information shall be used only for the purposes of code administration, e.g. NPA code relief studies.

22.5 GTE shall participate in the transition of its code administration responsibilities to a neutral third party and will notify Sprint if there are not sufficient numbers to meet the forecasted requirements of Sprint.

22.6 GTE shall provide Sprint with a file, or files, containing a street address/LSO cross reference indicating which LSO serves the cross referenced street address.

23. **Miscellaneous**

23.1 **Delegation or Assignment** - Any assignment by either Party of any right, obligation, or duty, in whole or in part, or of any interest, without the written consent of the other Party shall be void, except that either Party may assign all of its rights, and delegate its obligations, liabilities and duties under this Agreement, either in whole or in part, to any entity that is, or that was, an

Affiliate of that Party without consent, but with written notification, provided that in the case of Sprint, such Affiliate is a certified provider of local dial-tone service in the State to the extent such State requires such certification. The effectiveness of an assignment shall be conditioned upon the assignee's assumption of the rights, obligations, and duties of the assigning Party.

- 23.2 **Subcontracting** - GTE may subcontract the performance of any obligation under this Agreement without the prior written consent of Sprint, provided that GTE shall remain fully responsible for the performance of this Agreement in accordance with its terms, including any obligations it performs through subcontractors, and GTE shall be solely responsible for payments due its subcontractors. No contract, subcontract or other Agreement entered into by either Party with any third party in connection with the provision of Local Services or Network Elements hereunder shall provide for any indemnity, guarantee or assumption of liability by, or other obligation of, the other Party to this Agreement with respect to such arrangement, except as consented to in writing by the other Party. No subcontractor shall be deemed a third party beneficiary for any purposes under this Agreement.
- 23.3 [Intentionally deleted].
- 23.4 **Binding Effect** - This Agreement shall be binding on and inure to the benefit of the respective successors and permitted assigns of the Parties.
- 23.5 **Nonexclusive Remedies** - Except as otherwise expressly provided in this Agreement, each of the remedies provided under this Agreement is cumulative and is in addition to any remedies that may be available at law or in equity.
- 23.6 **No Third-Party Beneficiaries** - Except as specifically set forth in Section 10.4 and 10.5, this Agreement does not provide and shall not be construed to provide third parties with any remedy, claim, liability, reimbursement, cause of action, or other privilege.
- 23.7 **Referenced Documents** - Whenever any provision of this Agreement refers to a technical reference, technical publication, Sprint Practice, GTE Practice, any publication of telecommunications industry administrative or technical standards, or any other document expressly incorporated into this Agreement, it will be deemed to be a reference to the most recent version or edition (including any amendments, supplements, addenda, or successors) of such document that is in effect at the time of the execution of this Agreement, and will include the most recent version or edition (including any amendments, supplements, addenda, or successors) of each document incorporated by reference in such a technical reference, technical publication, Sprint Practice, GTE Practice, or publication of industry standards.



- 23.8 **Regulatory Agency Control** - This Agreement shall at all times be subject to changes, modifications, orders, and rulings by the FCC and/or the applicable state utility regulatory commission to the extent the substance of this Agreement is or becomes subject to the jurisdiction of such agency. This Agreement is subject to approval of the Commission in accordance with Section 252 of the Act. This Agreement shall not become effective until five (5) Business Days after receipt by the Parties of written notice of such approval. "Business Day" shall mean Monday through Friday, except for holidays on which the U. S. Mail is not delivered.
- 23.9 [Intentionally deleted].
- 23.10 **Publicity and Advertising** - Any news release, public announcement, advertising, or any form of publicity pertaining to this Agreement, or the provision of Local Services, Unbundled Network Elements, Ancillary Functions or Interconnection Services pursuant to it, or association of the Parties with respect to provision of the services described in this Agreement shall be subject to prior written approval of both GTE and Sprint. Neither Party shall publish or use any advertising, sales promotions or other publicity materials that use the other Party's logo, trademarks or service marks without the prior written approval of the other Party.
- 23.11 **Amendments or Waivers** - Except as otherwise provided in this Agreement, no amendment or waiver of any provision of this Agreement, and no consent to any default under this Agreement, shall be effective unless the same is in writing and signed by an officer of the Party against whom such amendment, waiver or consent is claimed. In addition, no course of dealing or failure of a Party strictly to enforce any term, right or condition of this Agreement shall be construed as a waiver of such term, right or condition. By entering into this Agreement, neither Party waives any right granted to it pursuant to the Act.
- 23.12 **Severability** - If any term, condition or provision of this Agreement is held by a governmental body of competent jurisdiction to be invalid or unenforceable for any reason, such invalidity or unenforceability shall not invalidate the entire Agreement. The Agreement shall be construed as if it did not contain the invalid or unenforceable provision or provisions, and the rights and obligations of each Party shall be construed and enforced accordingly.
- 23.13 **Entire Agreement** - This Agreement, which shall include the Attachments, Appendices and other documents referenced herein, constitutes the entire Agreement between the Parties concerning the subject matter hereof and supersedes any prior agreements, representations, statements, negotiations, understandings, proposals or undertakings, oral or written, with respect to the subject matter expressly set forth herein.

- 23.14 **Survival of Obligations** - Any liabilities or obligations of a Party for acts or omissions prior to the cancellation or termination of this Agreement; any obligation of a Party under the provisions regarding indemnification, Confidential Information, limitations on liability, and any other provisions of this Agreement which, by their terms, are contemplated to survive (or to be performed after) termination of this Agreement, shall survive cancellation or termination thereof.
- 23.15 [Intentionally deleted].
- 23.16 **Headings of No Force or Effect** - The headings of Articles and Sections of this Agreement are for convenience of reference only, and shall in no way define, modify or restrict the meaning or interpretation of the terms or provisions of this Agreement.
- 23.17 **Trademarks and Trade Names** - Except as specifically set out in this Agreement, nothing in this Agreement shall grant, suggest, or imply any right, license or authority for one Party to use the name, trademarks, service marks, or trade names of the other Party for any purpose whatsoever.
- 23.18 **Notice of Network and Technology Changes** - GTE shall establish quarterly reviews of network and technologies plans. GTE shall notify Sprint at least six (6) months in advance of changes that would impact Sprint's provision of service.
- 23.19 **Technical References** -
- 23.19.1 The technical references cited throughout this Agreement shall apply unless GTE shall offer, within ninety (90) days following Commission approval of this Agreement, GTE's proposed substitute technical references, for consideration and review by subject matter experts designated, respectively, by Sprint and GTE. Within ten (10) business days following Sprint's receipt of true and complete copies of GTE's proposed substitute technical references, Sprint and GTE subject matter experts shall meet in person or via teleconference to review the substitute reference(s) with a view toward achieving agreement on the suitability of such references for implementation and incorporation into this Agreement. The subject matter experts may agree to implement and incorporate, to modify or supplement, or to replace any such substitute technical reference proposed by GTE. Where they so agree, the resulting substitute technical reference shall be implemented and incorporated forthwith, by formal amendment in writing, into this Agreement. Where they disagree with respect to the suitability or adequacy of any such proposed substitute technical reference, the GTE-proposed substitute technical reference shall be incorporated into this Agreement at the conclusion of the ten business day period cited above, by formal amendment in writing, subject to Sprint's right to pursue the dispute and the implementation of more suitable

technical references through the ADR procedures set forth in Attachment 1 to this Agreement. Sprint may initiate such ADR procedures within sixty (60) days following the incorporation of the challenged technical reference into this Agreement.

23.19.2 The parties recognize the possibility that some equipment vendors may manufacture telecommunications equipment that does not fully incorporate or may deviate from the technical references contained in this Agreement. To the extent that, due to the manner in which individual manufacturers may have chosen to implement industry standards into the design of their product, or due to the differing vintages of these individual facility components and the presence of embedded technologies that pre-date certain technical references, some of the individual facility components deployed with GTE's network may not adhere to the technical references, then, within forty-five (45) days after the Effective Date of this Agreement:

(a) the Parties will develop processes by which GTE will inform Sprint of any such deviations from technical standards for Network Elements or Combinations ordered by Sprint;

(b) the Parties will develop further processes and procedures designed, upon notice of such deviations from technical standards, to address the treatment of GTE and Sprint customers at parity; and

(c) the parties will take such other mutually agreed upon actions as shall be appropriate in the circumstances.

23.20 Any figures and/or schematics used throughout this Agreement, including, but not limited to, the figures and/or schematics used in Attachment 2 to this Agreement, are for the convenience of reference only, and shall in no way define, modify or restrict the meaning or interpretation of the terms or provisions of this Agreement.

## **PART I LOCAL SERVICES RESALE**

### **24. Telecommunications Services Provided for Resale**

Upon request by Sprint in accordance with Section 25.1 and subject to the restrictions contained in Section 25.3 hereunder, GTE shall make available to Sprint at the applicable rate set forth in Attachment 14, any Telecommunications Service that GTE currently offers or may hereafter offer at retail to subscribers that are not telecommunications carriers. Such Telecommunications Services provided by GTE pursuant to this Section are collectively referred to as "Local Services."

### **25. General Terms and Conditions for Resale**

#### **25.1 Ordering**

- 25.1.1 Orders for resale of Local Services will be placed utilizing a standard Local Service Request ("LSR") form. A complete and accurate LSR must be provided by Sprint before a request can be processed; provided, however, that immaterial deviations or omissions in the LSR will not prevent an order from being processed. Each Party shall transfer the customer's service features and functionalities "as is" to the other Party when requested by a customer. For purposes of this Section 25, an "as is transfer" is the transfer of all the telecommunications services and features available for resale that are currently being provided for the specified account without the requirement of a specific enumeration of the services and features on the LSR.
- 25.1.2 A Letter of Authorization ("LOA") will be required before Local Services will be provided for resale to a subscriber that currently receives local exchange service from GTE or from a local service provider other than Sprint. Such LOA may be a blanket letter of authorization (Blanket LOA) or such other form as agreed upon by Sprint and GTE. When a Blanket LOA has been provided by Sprint, GTE shall not require an additional disconnect order, LOA or other writing from a customer, or another LEC, in order to process an order for Local Service. Each Party will provide the capability for customers to retain their current phone number in the event that they change local service providers to the extent technically feasible, allowing them to retain all existing features and functionalities.
- 25.1.3 GTE shall include an Sprint Customer's listing in its Directory Assistance database as part of the Local Service Request ("LSR") process. GTE will honor Sprint Customer's preferences for listing status, including non-published and unlisted, as noted on the LSR and will enter the listing in the GTE

database which is used to perform Directory Assistance functions as it appears on the LSR.

- 25.1.4 GTE shall accept requests for a change in the primary interexchange carrier of a local exchange customer of Sprint only from Sprint.

## 25.2 **Pricing**

The prices to be charged to Sprint for Local Services under this Agreement are set forth in Part V of this Agreement.

## 25.3 **Restrictions on Resale**

To the extent consistent with the applicable rules and regulations of the FCC and the Commission, Sprint may resell all GTE Local Services as defined in GTE's tariffs. The following restrictions shall apply to the resale of Local Services, as described in Section 24 of this Agreement by Sprint: (i) Sprint shall not resell residential services to business customers; (ii) GTE shall not be required to offer at a wholesale discount to Sprint any GTE promotional offering that is made available to any GTE customer for a period of ninety (90) days or less; (iii) and GTE shall not be required to provide to Sprint for resale any retail service which a telecommunications carrier is by law required to provide as a social benefit to a specially designated class of customer. Sprint shall determine whether its customers qualify for any such social programs and shall bear the costs associated with the provision of such programs.

- 25.4 [Intentionally deleted]

## 25.5 **Dialing and Service Parity**

- 25.5.1 GTE will provide the same dialing parity to Sprint Customers as similarly-situated GTE Customers, such that, for all call types, an Sprint Customer is not required to dial any greater number of digits than a similarly-situated GTE Customer; provided however with respect to intra-LATA dialing, GTE shall provide dialing parity to Sprint customers in the State in accordance with the provisions and schedule established by the Commission.
- 25.5.2 GTE will provide service levels for Local Services for resale that are equal to service levels for similarly-situated GTE Customers, such that there is no loss of features or functionalities including, but not limited to: same dial tone and ringing; same capability for either dial pulse or touch tone recognition; flat and measured services; speech recognition as available; same extended local free calling area; 1+ IntraLATA toll calling; InterLATA toll calling and international calling; 500, 700, 800, 900, 976 and Dial Around (10xxx) Services; restricted collect and third number billing; all available speeds of

analogue and digital private lines; off-premise extensions; CENTRANET and ISDN.

## 25.6 **Changes in Retail Service**

GTE will notify Sprint of proposed new retail services or modifications to existing retail services forty-five (45) days prior to the expected date of regulatory approval of the new or modified services. If new services or modifications are introduced with less than forty-five (45) days notice to the regulatory authority, GTE will notify Sprint at the same time it determines to introduce the new or modified service. With respect to changes in prices for existing retail services or related resale rates, GTE will notify Sprint at the same time as GTE begins internal implementation efforts (i.e., at least at the time that GTE's Product Management Committee is notified of the proposed change) or obtains internal approval to make the price change, whichever is sooner.

## 26. **Requirements for Specific Services**

26.1 [Intentionally deleted]

### 26.2 **CLASS/LASS and Custom Features Requirements**

Sprint may purchase the entire set of CLASS/LASS and Custom features and functions, or a subset of any one or any combination of such features, on a customer-specific basis, without restriction on the minimum or maximum number of lines or features that may be purchased for any one level of service, provided such CLASS/LASS and Custom features are available to GTE Customers served by the same GTE Central Office. GTE shall provide to Sprint a list of CLASS/LASS and Custom features and functions within ten (10) business days of the Effective Date and shall provide updates to such list when new features and functions become available. GTE shall provide to Sprint a list of all services, features, and products including a definition of the service (by specific reference to the appropriate tariff sections) and how such services interact with each other. GTE shall provide features and services by street address guide and by switch. All features shall be at least at parity with the GTE service offering.

26.3 This Section intentionally left blank.

### 26.4 **Intercept and Transfer Service**

GTE shall provide intercept and transfer service to Sprint for Sprint Customers on the same basis and for the same length of time as such service is available to similarly-situated GTE Customers. To that end, when an end-user customer transfers service from GTE to Sprint, or from Sprint to GTE, and

does not retain its original telephone number, the Party formerly providing service to the end user will provide, upon request, a referral announcement on the original telephone number. The announcement will provide the new number of the customer.

**26.5 E911/911 Services**

GTE shall provide to Sprint, for Sprint Customers, E911/911 call routing to the appropriate PSAP. Sprint shall provide Sprint Customer information to GTE, and GTE shall validate and provide Sprint Customer information to the PSAP. GTE shall use its service order process to update and maintain, on the same schedule that it uses for its end users, the Sprint Customer service information in the ALI/DMS (Automatic Location Identification/Location Information Database Management System) used to support E911/911 services, pursuant National Emergency Number Agency (NENA) standards. Sprint shall have the right to verify the accuracy of the information regarding Sprint Customers in the ALI database.

**26.6 Telephone Relay Service**

GTE will provide the following information to Sprint at no additional charge:

- (i) information concerning a customer's qualification for Telephone Relay Service (TRS) on the Customer Service Record (CSR) when that customer chooses Sprint for local service; and
- (ii) all usage billing information which GTE receives from a provider of TRS for TRS usage by an Sprint Customer.

**26.7 Voice Mail Related Services**

Nothing in this Agreement shall limit the right of Sprint to purchase features capabilities of voice mail services in accordance with GTE's tariffs. In addition, nothing in this Agreement shall limit the right of Sprint to combine features capabilities of voice mail services purchased in accordance with GTE's tariffs with any Local Services purchased for resale in accordance with this Agreement.

**26.8 Voluntary Federal Customer Financial Assistance Programs**

Local Services provided to low-income subscribers, pursuant to requirements established by the appropriate state or federal regulatory body, include programs such as Voluntary Federal Customer Financial Assistance Programs, such as Lifeline, and Link-up America (collectively referred to as "Voluntary Federal Customer Financial Assistance Programs") and Directory Assistance - Exempt. When a GTE Customer eligible for these services chooses to obtain Local Service from Sprint, GTE shall forward to Sprint on the Customer Service Record information regarding such customer's eligibility to participate in such programs. If GTE under the applicable laws of the State

cannot provide the CSR to Sprint, GTE shall otherwise inform Sprint of such customer's eligibility.

27. **Advanced Intelligent Network**

- 27.1 GTE will provide Sprint access to the GTE Service Creation Environment (SCE) to design, create, test, deploy and provision AIN-based features, equivalent to the access GTE provides to itself, providing that security arrangements can be made. Sprint requests to use the GTE SCE will be subject to request, review and testing procedures to be agreed upon by the parties.
- 27.2 When Sprint utilizes GTE's Local Switching network element and requests GTE to provision such network element with a technically feasible AIN trigger, GTE will provide access to the appropriate AIN Call Related Database for the purpose of invoking either a GTE AIN feature or an Sprint developed AIN feature described in 27.1, above.
- 27.3 When Sprint utilizes its own local switch, GTE will provide access to the appropriate AIN Call Related Database for the purpose of invoking either a GTE AIN feature or an Sprint developed AIN feature described in 27.1, above.
- 27.4 Any mediation to GTE's AIN database will be performed on a competitively neutral, nondiscriminatory basis. Any network management controls found necessary to protect the SCP from an overload condition must be applied on a nondiscriminatory basis for all users of that database, including GTE. GTE and Sprint agree that any load mediation will affect all links to the STP, including GTE's, in a like manner. Sprint will provide the information necessary to ensure that GTE is able to engineer sufficient capacity on the AIN SCP platform.

28. **Routing to Directory Assistance and Operator Services**

- 28.1 Where Sprint purchases either Local Services or Local Switching as an Unbundled Element, unless Sprint requests otherwise, GTE will, where technically feasible, provide the functionality and features required to modify the Sprint Customer's line at GTE's local switch (LS) to route all calls to the Sprint Network for local Directory Assistance and the Sprint Platform for Operator Services.
- 28.2 **Directory Assistance**



Upon Sprint's request, and where technically feasible GTE shall route local Directory Assistance calls, including 411 and (NPA) 555-1212, dialed by Sprint Customers directly to the Sprint platform, unless Sprint requests otherwise pursuant to Section 28.7.2.

### **28.3 Operator Services**

Upon Sprint's request, and where technically feasible, GTE shall route local Operator Services calls (0+, 0-) dialed by Sprint Customers directly to the Sprint Local Operator Services platform, unless Sprint requests otherwise pursuant to Section 28.7.1. Such traffic shall be routed over trunk groups specified by Sprint which connect GTE end offices and the Sprint Local Operator Services platform, using standard Operator Services dialing protocols of 0+ or 0-. Where intraLATA presubscription is not available, GTE will provide the functionality and features within its local switch (LS), to route Sprint Customer dialed 0- and 0+ intraLATA calls to the Sprint designated line or trunk on the Main Distributing Frame (MDF) or Digital Cross Connect (DSX) panel via Modified Operator Services (MOS) Feature Group C signaling. Where intraLATA presubscription is available, Sprint Customer dialed 0- and 0+ intraLATA calls will be routed to the intraLATA PIC carrier's designated operator services platform. In all cases, GTE will provide post-dial delay no greater than that provided by GTE for its end user customers. For switches lacking the existing capacity and capability to provide the customized rerouting described in this Section 28, GTE shall develop alternative forms of customized routing.

### **28.4 Repair Calls**

In the event an Sprint Customer calls GTE with a request for repairs, GTE shall provide the Sprint Customer with Sprint's repair 800-telephone number. Sprint agrees to provide GTE with Sprint's repair 800-telephone numbers.

In the event a GTE Customer calls Sprint with a request for repairs, Sprint shall provide the GTE Customer with GTE's repair 800-telephone number. GTE agrees to provide Sprint with GTE's repair 800-telephone number.

### **28.5 Non-discriminatory Treatment**

All direct routing capabilities described herein shall permit Sprint Customers to dial the same telephone numbers for Sprint Directory Assistance, Local Operator and the same number of digits for Repair Services that similarly-situated GTE Customers dial for reaching equivalent GTE services. Sprint and GTE will use 800/888 numbers where necessary to achieve this result.

## 28.6 **Emergency Calls**

Within thirty (30) days of Sprint's request, GTE shall provide to Sprint the emergency public agency (e.g., police, fire, ambulance) telephone numbers linked to each NPA-NXX. Such data will be transmitted in a mutually agreeable format.

## 28.7 **Optional Routing**

28.7.1 **Operator Services:** Sprint may request GTE to route Sprint Customers to GTE Operator Services. In this case, the requirements for GTE-provided Operator Services as part of the Total Services Resale service shall be those requirements specified in Attachment 2, "Unbundled Elements", Section 5.1, "Operator Services."

28.7.2 **Directory Assistance:** Sprint may request GTE to route Sprint Customers to GTE's Directory Assistance. In this case, the requirements for GTE-provided Directory Assistance Services as part of the Total Services Resale service shall be those requirements specified in Attachment 2, "Unbundled Elements", Section 6, "Directory Services."

## 28.8 **Line Information Database Updates**

GTE shall update and maintain Sprint Customer information in the GTE Line Information Database ("LIDB") in the same manner and on the same schedule that it maintains information in LIDB for GTE Customers.

## 28.9 **Telephone Line Number Calling Cards**

Upon request by an Sprint Customer or by Sprint on behalf of an Sprint Customer, and effective as of the date of an end user's subscription to Sprint service (or such later date as such request is received), GTE will remove any GTE-assigned telephone line calling card number (including area code) ("TLN") from GTE's LIDB. Sprint may issue a new telephone calling card to such customer, utilizing the same TLN, and Sprint shall have the right to enter such TLN in Sprint's LIDB for calling card validation purposes.

## 28.10 **End Office Features**

GTE shall provide the following end-office features in those end offices in which such features are available to GTE Customers: CLASS features; Repeat Dial Capability; Multi-line Hunting; and trunk connectivity to private branch exchange switches (PBX's) and Direct Inward Dialed Services and all other end-office features that GTE makes available to GTE Customers.

## 28.11 **Call Blocking**

Upon Sprint's request and when available to similarly-situated GTE Customers, GTE will provide blocking on a line by line basis of an Sprint Customer's access to any or all of the following call types: 900/976; bill to third and collect; and such other call types for which GTE provides blocking to similarly situated GTE Customers.

## 28.12 **Law Enforcement and Service Annoyance**

Not later than forty-five (45) business days after the Effective Date, GTE and Sprint will begin the process of developing procedures to handle requests from law enforcement agencies for service termination, wire taps and provisions of Customer Usage Data pursuant to a lawful process as well as procedures to handle Sprint Customer complaints concerning harassing or annoying calls. Such procedures will include, but not be limited to, a process for Sprint to interface with GTE regarding law enforcement and service annoyance issues on a 24 hour per day, 7 days a week basis and otherwise on the same basis as GTE provides access for its own customers.

## 29. **Service Support Functions**

### 29.1 **Electronic Interface**

29.1.1 Until such time as GTE and Sprint are able to fully implement electronic interfaces ("EI"), GTE and Sprint agree to use interim processes for Pre-Ordering, Ordering, Provisioning, Maintenance, Repair and Billing.

29.1.1.1 The schedule for implementing an interim electronic interface shall be subject to the memorandum of understanding ("MOU") relating to electronic interfaces negotiated by GTE and Sprint under the direction of the California Commission in connection with the decision in 96-07-022.

29.1.2 In accordance with the schedule set out in the MOU, GTE shall provide a Real Time electronic interface ("EI") for sending and receiving information on demand for Pre-Ordering, for Ordering/Provisioning data and materials (e.g., access to Street Address Guide ("SAG") and Telephone Number Assignment database), and for scheduling service delivery. GTE shall provide an electronic interface ("EI") for sending and receiving information on agreed, pre-defined schedules ("batch communications") for reports and Billing. These interfaces shall be administered through a national ordering platform that will serve as a single point of contact for the transmission of such data from Sprint to GTE, and from GTE to Sprint.

29.1.3 No later than six (6) months after the Effective Date of this Agreement, GTE will : (i) establish the national gateway standards to be used by Sprint and all

other carriers connecting to GTE's Operations Support Systems ("OSS"); and (ii) establish the date by which GTE will provide permanent national gateway access to its OSS. GTE will provide this permanent national gateway access at the earliest practical date but in no case later than twelve (12) months after the Effective Date of this Agreement, which shall include ensuring that all interfaces are operational and end-to-end testing has been successfully completed.

29.1.4 **[DELETED]**

29.1.5 The Parties agree that the principles outlined in Attachment 13 and related time schedules will be used as a starting point for the development of the permanent national gateway.

29.1.6 GTE shall provide the same information, of the same quality and within the same time frames for Pre-Ordering, Ordering/Provisioning, Maintenance/Repairs and Billing to Sprint as GTE provides to itself. The Parties recognize that GTE is not required to establish new systems or processes in order to provide information to Sprint which GTE does not provide to itself.

29.1.7 GTE shall recover its costs of creating the permanent OSS gateway and any interim interfaces in a competitively neutral manner.

29.2 **Service Standards**

29.2.1 GTE shall ensure that all Service Support Functions used to provision Local Service to Sprint for resale are provided at a quality level which GTE is required to meet by its own internal procedures or by law, or is actually meeting, in providing Local Service to itself, to its end users or to its affiliates.

29.2.2 Not later than twenty (20) business days after the Effective Date of this Agreement, GTE and Sprint shall begin the process of developing mutually agreed-upon escalation and expedite procedures to be employed at any point in the Local Service Pre-Ordering, Ordering/Provisioning, Testing, Maintenance, Billing and Customer Usage Data transfer processes to facilitate rapid and timely resolution of Disputes.

29.3 **Point of Contact for the Sprint Customer**

29.3.1 Except as otherwise provided in this Agreement or as directed by Sprint, Sprint shall be the single and sole point of contact for all Sprint Customers with respect to Sprint Local Services.

29.3.2 GTE shall refer all questions regarding any Sprint service or product directly to Sprint at a telephone number specified by Sprint and provided to GTE for that purpose.

- 29.3.3 GTE representatives who receive inquiries regarding Sprint services: (i) shall refer callers who inquire about Sprint services or products to the numbers provided; and (ii) will not in any way disparage or discriminate against Sprint, or its products or services.

**29.4 Single Point of Contact**

Each Party shall provide the other Party with a single point of contact ("SPOC") for each functional area for all inquiries regarding the implementation of this Part. Each Party shall accept all inquiries from the other Party and provide timely responses.

**29.5 Service Order**

To facilitate the ordering of new service for resale or changes to such service to an Sprint Customer, Sprint's representative will have access to GTE Customer information to enable the Sprint representative to perform the tasks enumerated below. Until electronic interfaces are established, these functions will be performed with the use of an 800 number.

- 29.5.1 Obtain customer account information through the same nondiscriminatory access to Operation Support Systems for pre-ordering, ordering, provisioning, maintenance and repair, and billing as GTE provides itself including information regarding the facilities and services assigned to individual customers.
- 29.5.2 Obtain information on all features and services available, including new services, by LSO identified by switch, NPA-NXX and customer street address.
- 29.5.3 Submit the Sprint Customer order by submitting an LSR using the agreed upon electronic interface (the Network Data Mover or NDM) for all desired features and services;
- 29.5.4 Assign a telephone number, including a vanity number, (if the Sprint Customer does not have one assigned). As an interim step prior to the implementation of the electronic interface specified in Section 29.1, GTE will establish an 800 (toll-free) number for Sprint;
- 29.5.5 Submit the appropriate directory listing using the agreed to EI;
- 29.5.6 Determine if a service call is needed to install the line or service;
- 29.5.7 Schedule dispatch and installation, if applicable;
- 29.5.8 Provide service availability dates to customer;

- 29.5.9 Order local and intraLATA toll service and enter Sprint Customer's choice of primary interexchange carrier on a single, unified order; and
- 29.5.10 Suspend, terminate or restore service to an Sprint Customer using agreed to methods (temporary disconnects for nonpayment may not be requested using the LSR).

## 29.6 PROVISIONING

- 29.6.1 After receipt and acceptance of an LSR, GTE shall provision such LSR in accordance with the following Intervals and in accordance with the service parity standards and other performance standards specified in Section 11 and Attachment 12.
- 29.6.2 GTE shall provide Sprint with service status notices, on a Real Time basis. Such status notices shall include the following:
  - 29.6.2.1 Firm order confirmation, including service availability date and information regarding the need for a service dispatch for installation;
  - 29.6.2.2 Notice of service installation issued at time of installation, including any additional information, such as material charges;
  - 29.6.2.3 Changes/rejections/errors in LSRs;
  - 29.6.2.4 Service completion;
  - 29.6.2.5 Jeopardies and missed appointments;
  - 29.6.2.6 Charges associated with necessary construction;
  - 29.6.2.7 Order status at critical intervals;
  - 29.6.2.8 Test results of the same type that GTE records for itself or its own customers.
- 29.6.3 GTE shall inform Sprint of overall change order flexibility and any changes thereto on a Real Time basis.
- 29.6.4 GTE shall notify Sprint prior to making any changes in the services, features or functions specified on the LSR. If an Sprint Customer requests a service change at the time of installation GTE shall refer the Sprint Customer to Sprint.
- 29.6.5 GTE shall provide provisioning support to Sprint on the same basis that it provides to other competitive LECs and to itself. GTE retains full discretion to control the scheduling of its provisioning workforce.

29.6.6 GTE shall provide training for all GTE employees who may communicate, either by telephone or face-to-face, with Sprint Customers, during the provisioning process. Such training shall include training on compliance with the branding requirements of this Agreement.

**29.7 Provision of Customer Usage Data**

GTE shall provide the Customer Usage Data recorded by GTE. Such data shall include complete Sprint Customer usage data for Local Service, (i.e., the same usage data that GTE records for billing its own customers), in accordance with the terms and conditions set forth in Attachment 7.

**29.8 Service/Operation Readiness Testing**

29.8.1 In addition to testing described elsewhere in this Section 29, GTE shall test the systems used to perform the following functions at a negotiated interval and in no event less than ten (10) business days prior to commencement of GTE's provision of Local Service to Sprint, in order to establish system readiness capabilities:

29.8.1.1 All interfaces between Sprint and GTE work centers for Service Order Provisioning;

29.8.1.2 Maintenance, Billing and Customer Usage Data;

29.8.1.3 The process for GTE to provide customer profiles;

29.8.1.4 The installation scheduling process;

29.8.1.5 Network alarm reporting;

29.8.1.6 Telephone number assignment;

29.8.1.7 Procedures for communications and coordination between Sprint SPOC and GTE SPOC;

29.8.1.8 Procedures for transmission of Customer Usage Data; and

29.8.1.9 Procedures for transmitting bills to Sprint for Local Service.

29.8.2 The functionalities identified above shall be tested in order to determine whether GTE performance meets the service parity requirements and other performance standards specified in Section 11. GTE shall make available sufficient technical staff to perform such testing. GTE technical staff shall be available to meet with Sprint as necessary to facilitate testing. GTE and Sprint shall mutually agree on the schedule for such testing.

- 29.8.3 At Sprint's request, GTE shall provide to Sprint any results of the testing performed pursuant to the terms of this Part. Sprint may review such results and may notify GTE of any failures to meet the requirements of this Agreement.
- 29.8.4 GTE shall provide to Sprint the same type and quality of loop testing information that it provides to and records for itself. Where GTE develops loop testing information as a matter of course, it will make that information available to Sprint where such information is relevant to Sprint's business. Where GTE maintains the internal discretion to test loops as needed, GTE will provide similar testing discretion to Sprint. Sprint shall pay the full cost of any such discretionary testing.
- 29.8.5 Within 60 days of the Effective Date of this Agreement, Sprint and GTE will agree upon a process to resolve cooperative testing issues and technical issues relating to GTE's provision of Local Services to Sprint. The agreed upon process shall include procedures for escalating disputes and unresolved issues up through higher levels of each company's management. If Sprint and GTE do not reach agreement on such a process within 60 days, any issues that have not been resolved by the Parties with respect to such process shall be submitted to the ADR procedures set forth in Section 14 and Attachment 1 of this Agreement unless both Parties agree to extend the time to reach agreement on such issues.

**29.9 Maintenance**

GTE shall provide maintenance in accordance with the requirements and standards set forth in Attachment 5 and in accordance with the service parity requirements set forth in this Agreement.

**29.10 Billing For Local Service**

- 29.10.1 GTE shall bill Sprint for Local Service provided by GTE to Sprint pursuant to the terms of this Part, and in accordance with the terms and conditions for Connectivity Billing and Recording in Attachment 6.
- 29.10.2 GTE shall recognize Sprint as the customer of record for all Local Service and will send all notices, bills and other pertinent information directly to Sprint.

**30. Pay Phone Lines and Pay Phone Services**

- 30.1 Intentionally left blank.
- 30.2 "Pay phone lines" are defined as the loop from the pay phone point of demarcation to the Service Wiring Center and includes all supporting central office functions and features.



- 30.3 GTE shall make available to Sprint for resale the following classes of pay phone lines:
  - 30.3.1 Customer Owned Coin Operated Telephone (COCOT) Lines;
  - 30.3.2 Coinless COCOT Lines;
  - 30.3.3 Coin Lines in those jurisdictions where provision of such lines is required by law;
  - 30.3.4 [This section left intentionally blank]
  - 30.3.5 Semi Public Lines.
- 30.4 GTE shall also make available to Sprint for resale any future class of pay phone lines that GTE provides at retail to subscribers other than telecommunication carriers.
- 30.5 GTE shall make available pay phone line service options as follows:
- 30.6 When providing COCOT Lines to Sprint for resale, GTE shall offer the following, to the extent that GTE provides such services and in those jurisdictions and/or central offices where available: originating line screening; billed number screening; PIC protection for all 1+ inter and intraLATA traffic (when presubscription is authorized); one way and/or two way service (if so provided in the applicable tariff) on the line; detailed billing showing all 1+ traffic; Sprint's service center phone number to all Sprint end users that contact GTE service centers; number portability for end users; touchtone service; line side answer supervision; GTE designated contact center as single point of contact for customer service; provisioning of 9 1 1 service; access to Answer Number Identifier (ANI) Information; all information necessary to permit Sprint to bill end users for access line usage; the same monitoring and diagnostic routines as GTE utilizes on its own facilities; one directory for each line installed; blocking for 1+ international calls, 10XXX1+ international calls 1-900 calls, 1-976 calls DA link, any 1+ service that can be billed to the line but that is not rated, 1-700 calls, 1-500 calls, and in bound international calls where SS7 signalling is available.
- 30.7 When providing Coinless COCOT Lines to Sprint for resale, GTE shall offer the following, to the extent that GTE provides such services and in those jurisdictions and/or central offices where available: originating line screening; billed number screening; PIC protection for all 1+ inter and intraLATA traffic (where inter and intraLATA presubscription is available); one way and/or two way service on the line (if so provided in the tariff); flat service where flat service is required by the applicable tariff, measured service where measured service is required by the applicable tariff, and both flat and measured service

where both flat and measured service are required by the applicable tariff; detailed billing showing all 1+ traffic; Sprint's service center phone number to all Sprint end users that contact GTE service center; number portability for end users; touchtone service; GTE designated contact center as single point of contact for customer service; provisioning of 9 1 1 service; access to ANI information; all information necessary to permit Sprint to bill end users for access line usage; the same monitoring and diagnostic routines as GTE utilizes on its own facilities; one directory for each line installed; blocking for any service that can be billed to the line but not rated and all 1+ calls except where local mandate requires access to Directory Assistance.

- 30.8 [Intentionally deleted.]
- 30.9 When providing Customer Owned Pay Telephone (COPT) Lines to Sprint for resale, GTE shall offer the following to the extent that GTE provides such services and in those jurisdictions and/or central offices where available. Access to all Central Office intelligence required to provide COPT Line pay phone services; far end disconnect recognition; call timing for intra- and interLATA calls; at the customer's option, one way or two way service on the line in those jurisdictions where available; detailed billing showing all 1+ traffic; Sprint's service center phone number to all Sprint end users; touchtone service; line side supervision in those jurisdictions where available; GTE designated contact center for use by Sprint only as single point of contact for customer service; provisioning of 911 service; access to ANI information; all information necessary to permit Sprint to bill end users for access line usage; the same monitoring and diagnostic routines as GTE utilizes on its own facilities; one directory for each line installed; blocking for 1+ international calls and any 1+ service that cannot be rated by the phone pay line or any operator service.
- 30.10 For any pay phone line provided to Sprint for resale, GTE shall also make available to Sprint any future pay phone line option that GTE provides to any of its own customers using such a pay phone line.
- 30.11 GTE shall adhere to the following additional requirements when providing pay phone lines for resale:
- 30.11.1 GTE shall provide Sprint with the same call restrictions and fraud protections used by GTE in connection with its pay phones;
- 30.11.2 GTE shall not block Sprint's existing access to [NAI] codes;
- 30.11.3 GTE shall forward all Sprint pay phone customers to the designated Sprint line or trunk group for handling Operator Services or Directory Assistance calls;

30.11.4 [Intentionally Deleted]

## **PART II: UNBUNDLED NETWORK ELEMENTS**

### **31. Introduction**

This Part II sets forth the unbundled Network Elements that GTE agrees to offer to Sprint in accordance with its obligations under Section 251(c)(3) of the Act and 47 CFR 51.307 to 51.321 of the FCC Rules. The specific terms and conditions that apply to the unbundled Network Elements are described below and in Attachment 2. Prices for Network Elements are set forth in Part V and Attachment 14 of this Agreement.

### **32. Unbundled Network Elements**

32.1 GTE will offer Network Elements to Sprint on an unbundled basis at rates set forth in Attachment 14.

32.2 GTE will permit Sprint to interconnect Sprint's facilities or facilities provided by Sprint or by third parties with each of GTE's unbundled Network Elements at any point designated by Sprint that is technically feasible.

32.3 Sprint, at its option, may designate any technically feasible network interface at a Served Premises, including without limitation, DS0, DS-1, DS-3, and STS-1.

32.4 Pursuant to the terms of this Agreement, Sprint may use one or more Network Elements to provide any Telecommunications Service that such Network Element is capable of providing.

32.5 GTE shall offer each Network Element individually and in combination with any other Network Element or Network Elements, so long as such combination is technically feasible, in order to permit Sprint to combine such Network Element or Network Elements with another Network Element or other Network Elements obtained from GTE or with network components provided by itself or by third parties to provide telecommunications services to its customers.

32.6 For each Network Element, GTE shall provide a demarcation point (e.g., an interconnection point at a Digital Signal Cross-Connect or Light Guide Cross-Connect panels or a Main Distribution Frame) and, if necessary, access to such demarcation point, which Sprint agrees is suitable. However, where GTE provides contiguous Network Elements to Sprint, GTE may provide the existing interconnections and no demarcation point shall exist between such contiguous Network Elements.

32.7 [Intentionally deleted].

32.8 [Intentionally deleted].

32.9 Except with respect to the Loop Distribution, Loop Concentrator/Multiplexer, and Loop Feeder elements, which shall in all cases be subject to the bona fide request process described in Attachment 12, set forth below is a list of Network Elements that Sprint and GTE have identified as of the Effective Date of this Agreement and will be offered by GTE. Sprint and GTE agree that Sprint may identify additional or revised Network Elements that it desires. All such additional or modified Network Elements shall be subject to the Bona Fide Requests Procedures outlined in Attachment 12. Descriptions and requirements for each Network Element identified below are set forth in Attachment 2. The Network Elements described in Attachment 2 consist of:

- Loop or Loop Combination
- Network Interface Device (NID)
- Loop Distribution, otherwise known as Distribution Media
- Loop Concentrator/Multiplexer
- Loop Feeder
- Local Switching
- Operator Service
- Directory Assistance Service
- Common Transport
- Dedicated Transport
- Signaling Link Transport
- Signaling Transfer Points
- Service Control Points (SCPs)/Databases
- Tandem Switching
- Unused Transmission Media

32.10 **Standards for Network Elements**

32.10.1 [Intentionally Deleted]

32.10.2 [Intentionally left blank]

32.10.3 [Intentionally Deleted]

32.10.3.1 If Sprint contends that GTE has failed to meet the requirements of this Section 32, Sprint will provide GTE documentation of such purported failure. Within a reasonable time period after receiving such documentation, GTE shall provide to Sprint engineering, design, performance and other network data that the parties mutually

agree is necessary and sufficient for Sprint to determine that the requirements of this Section 32 are being met. In the event that such data establishes that the requirements of this Section 32 are not being met, GTE shall, within ten (10) business days, cure any design, performance or other deficiency and provide new data that the parties mutually agree is sufficient for Sprint to determine that such deficiencies have been cured. To the extent that GTE is unable to meet the above timeframe, GTE shall promptly notify Sprint prior to the expiration of such timeframe and the Parties shall agree on a revised completion date.

32.10.3.2 [Intentionally deleted].

32.10.4 [Intentionally Deleted].

### **PART III: ANCILLARY FUNCTIONS**

33. **Introduction**

This Part III sets forth the Ancillary Functions that GTE agrees to offer to Sprint so that Sprint may interconnect to GTE's network and obtain access to unbundled Network Elements to use to provide services to its customers.

34. **GTE Provision of Ancillary Functions**

34.1 [Intentionally deleted].

34.2 GTE will permit Sprint to interconnect Sprint's equipment and facilities or equipment and facilities provided by Sprint or by third parties for purposes of interconnection or access to Network Elements at any point that is technically feasible in accordance with the terms and conditions of this Agreement.

34.3 Pursuant to the terms of this Agreement, Sprint may use any Ancillary Function to provide any Telecommunications Service that such Ancillary Function is capable of providing.

34.4 Set forth below is the list of the Ancillary Functions that Sprint and GTE have identified as of the Effective Date of this Agreement. Either Party may identify additional or revised Ancillary Functions that it desires. All such additional or revised Ancillary Functions shall be subject to the Bona Fide Requests procedures outlined in Attachment 12. Descriptions and requirements for each Ancillary Function are set forth in Attachment 3. The Ancillary Functions described in Attachment 3 consist of:

- Collocation
- Right of Way (ROW)
- Conduit
- Pole attachment

35. **Standards for Ancillary Functions**

35.1 Subject to Section 23.19, each Ancillary Function shall meet or exceed the requirements set forth in applicable technical references, as well as the performance and other requirements, identified in this Agreement.

35.2 Each Ancillary Function provided by GTE to Sprint shall be equal in the quality of design, performance, features, functions and other

characteristics, including, but not limited to levels and types of redundant equipment and facilities for diversity and security, that GTE provides in the GTE network to itself, its affiliates or any other carrier.

- 35.3 If Sprint contends that GTE has failed to meet the requirements of Part III and Attachment 3, Sprint will provide GTE documentation of such purported failure. Within a reasonable time period after receiving such documentation, GTE shall provide to Sprint engineering, design, performance and other network data that the parties mutually agree is necessary and sufficient for Sprint to determine that the requirements of Part III and Attachment 3 of this Agreement are being met. In the event that such data establishes that the requirements of Part III and Attachment 3 of this Agreement are not being met, GTE shall, within 30 business days, cure any design, performance or other deficiency and provide new data that the parties mutually agree is sufficient for Sprint to determine that such deficiencies have been cured. To the extent that GTE is unable to meet the above timeframe, GTE shall promptly notify Sprint prior to the expiration of such timeframe and the Parties shall agree on a revised completion date.
- 35.4 Unless otherwise designated by Sprint, each Ancillary Function provided by GTE to Sprint shall be made available to Sprint on a priority basis that is at least equal to the priorities that GTE provides to itself, its affiliates or any other carrier.
- 35.5 (Intentionally deleted)



**PART IV: INTERCONNECTION PURSUANT TO SECTION 251(C)(2)**

36. **Scope**

Section 37 describes the physical architecture for Interconnection of the Parties' facilities and equipment for the transmission and routing of Local Traffic and Exchange Access traffic between the respective business and residential customers of the Parties pursuant to the Act. Interconnection may not be used solely for the purpose of originating a Party's own interexchange traffic. Sections 38 to 39 prescribe the specific logical trunk groups (and traffic routing parameters) which will be configured over the physical Interconnections described in this Part related to the transmission and routing of Local Traffic and Exchange Access traffic, respectively. Other trunk groups, as described in this Agreement, may be configured using this architecture.

37. **Interconnection Points and Methods.**

37.1 In each LATA identified pursuant to the procedures of Section 37.6, Sprint and GTE shall Interconnect their networks at the GTE and Sprint Wire Centers identified in such notice for the transmission and routing within that LATA of Local Traffic and Exchange Access traffic.

37.2 Interconnection in each LATA shall be accomplished at any technically feasible point within GTE's networks for a given LATA, including through collocation in GTE's Wire Centers as provided in Attachment 3. Sprint shall designate a minimum of one interconnection point within a LATA. If Sprint desires a single interconnection point within a LATA, Sprint shall ensure that GTE maintains the ability to bill for the services provided. Sprint may interconnect at one tandem in the LATA for exchange of local, mandatory EAS and IntraLATA toll traffic by bringing separate trunk groups to that interconnection point for each tandem in that LATA and then by using dedicated special access transport to extend the trunk group from the interconnection point to the designated tandem.

37.3 **Interconnection using Collocation:**

If the Parties Interconnect their networks using Collocation in GTE's Wire Centers, the following requirements apply:

- 37.3.1 Sprint will deploy a local service network that places switching and transmission equipment throughout the LATA. The placement of this equipment uses a combination of Sprint owned Wire Centers and collocated space in GTE Wire Centers.
- 37.3.2 Sprint will request interconnection with GTE at specific points in GTE's network. The following options are available for (i) the termination of traffic to the GTE network, (ii) the termination of traffic to the Sprint network and (iii) the transiting of traffic to/from a third party network.
- 37.4 **Local Traffic and IntraLATA Toll Traffic - Originating on Sprint, Terminating on GTE.**

Sprint may build trunk groups to GTE using the following representative, but not exclusive, options: (i) from Sprint collocated equipment in a Wire Center to the GTE Tandem; (ii) from Sprint collocated equipment in a GTE Wire Center to the GTE End Office Switch; or (iii) from Sprint 4ESS Switches located at Sprint POPs to the nearest GTE Tandem.

Interfaces for these interconnections may be based upon, but not limited to, the following: (i) DS1: from an Sprint-collocated DDM-2000 to a GTE Central Office Switch; (ii) SONET STS1: from an Sprint-collocated DDM-2000 to an GTE 5ESS<sup>®</sup>-2000 Central Office Switch and (iii) DS1/DS3: from an Sprint 4ESS Switch at an Sprint POP to a GTE Tandem using new trunk groups on existing facilities.

37.5 **Transit Service Traffic**

- 37.5.1 GTE agrees that it shall provide Transit Service to Sprint on terms and conditions set forth in this Agreement.
- 37.5.2 "Transit Service" means the delivery of certain traffic between Sprint and a third party LEC or ILEC by GTE over the Local/IntraLATA Trunks. The following types of traffic will be delivered: (i) Local Traffic and IntraLATA Toll Traffic originated from Sprint to such third party LEC or ILEC and (ii) Local Traffic and IntraLATA Toll Traffic originated from such third party LEC or ILEC and terminated to Sprint where GTE carries such traffic pursuant to the Commission's primary toll carrier plan or other similar plan.
- 37.5.3 While the Parties agree that it is the responsibility of each third party LEC or ILEC to enter into arrangements to deliver Local Traffic between them, they acknowledge that such arrangements are not currently in place and an interim arrangement is necessary to ensure

traffic completion. Accordingly, until the earlier of (i) the date on which either Party has entered into an arrangement with such third party LEC or ILEC to deliver Local Traffic via direct trunks or (ii) the termination of this Agreement, GTE will transit such traffic.

- 37.5.4 All networks involved in transit traffic will deliver each call to each involved network with CCIS to the extent available from third party LECs and the appropriate Transaction Capabilities Application Part (TCAP) messages to facilitate full interoperability and billing functions. In all cases, each Party is responsible to follow Exchange Message Record ("EMR") standard and exchange records with both the other Party and the terminating LEC or ILEC to facilitate the billing process to the originating network.
- 37.5.5 Transiting traffic will be delivered using the physical connection options as described in Section 37.4.

**37.6 Selection of LATAs**

- 37.6.1 If Sprint determines to offer Telephone Exchange Services in any LATA, Sprint shall provide written notice to GTE of its need to establish Interconnection in such LATA pursuant to this Agreement. This notice shall include (i) the Wire Centers that Sprint has designated in the LATA, and; (ii) a nonbinding forecast of Sprint's trunking requirements indicating the proposed Interconnection Activation Date. Sprint shall issue an ASR to GTE in accordance with Section 37.6.3 to order the Interconnection facilities and trunks.
- 37.6.2 Unless otherwise agreed by the Parties, the Parties shall designate the Wire Center Sprint has identified as its initial Routing Point in the LATA as the ATIWC in that LATA and shall designate the GTE Tandem Office within the LATA nearest to the ATIWC (as measured in airline miles utilizing the V&H coordinates method) as the AIWC in that LATA.
- 37.6.3 Unless otherwise agreed by the Parties, the Interconnection Activation Date in each LATA in which no construction is required shall be fifteen (15) business days after the date on which Sprint delivered notice via an ASR to GTE pursuant to this Section. Where construction is required, the Interconnection Activation Date shall be as mutually agreed by the Parties.
- 37.6.4 GTE and Sprint will conduct joint planning sessions to determine the following representative, but not exclusive, information: (i) forecasted number of trunk groups; and (ii) the interconnection activation date.

**37.7 Additional Switches or Interconnection Points**

If Sprint deploys additional switches in a LATA after the date hereof or otherwise wishes to establish Interconnection with additional GTE Wire Centers, Sprint may, upon written notice thereof to GTE, establish such Interconnection and the terms and conditions of this Agreement shall apply to such Interconnection. If GTE deploys additional switches in a LATA after the date hereof or otherwise wishes to establish Interconnection with additional Sprint Wire Centers, GTE may, upon written notice thereof to Sprint, establish such Interconnection and the terms and conditions of this Agreement shall apply to such Interconnection. If either Party establishes an additional Tandem Switch in a given LATA, the Parties shall jointly determine the requirements regarding the establishment and maintenance of separate trunk group connections and the sub-tending arrangements relating to Tandem Switches and End Offices which serve the other Party's customers within the Exchange Areas served by such Tandem Switches.

**37.8 Nondiscriminatory Interconnection**

Interconnection provided by GTE shall be equal in quality to that provided by GTE to itself or any subsidiary, Affiliate or other person. "Equal in quality" means the same or equivalent technical criteria, service standards that a Party uses within its own network and, at a minimum, requires GTE to design interconnection facilities to meet the same technical criteria and service standards that are used within GTE's network. If Sprint requests an Interconnection that is of a higher quality than that provided by GTE to itself or any subsidiary, Affiliate or other person, such request shall be treated as a New Bona Fide Request.

**37.9 Technical Specifications**

- 37.9.1 Each Party shall initially configure a two-way trunk group as a direct transmission path between each Sprint and GTE interconnected Central Offices. Sprint and GTE shall work cooperatively to install and maintain a reliable network. Sprint and GTE shall exchange appropriate information (e.g., maintenance contact numbers, network information, information required to comply with law enforcement and other security agencies of the government and such other information as the Parties shall mutually agree) to achieve this desired reliability.

37.9.2 Sprint and GTE shall work cooperatively to apply sound network management principles by invoking network management controls to alleviate or to prevent congestion.

**37.10 911/E911 Arrangements**

**37.10.1 Description of Service**

Sprint shall have the right to utilize the existing GTE 911/E911 infrastructure (as agreed in Sections 37.10.3 and 37.10.5 below) to provide all 911/E911 capabilities to its end users. Sprint will install a minimum of two dedicated trunks to GTE's 911/E911 selective routers (i.e., 911 tandem offices) that serve the areas in which Sprint provides Exchange Services, for the provision of 911/E911 services and for access to all subtending PSAPs. The dedicated trunks shall be, at minimum, DSO level trunks configured as a 2-wire analog interface or as part of a digital (1.544 Mbps) interface. Either configuration shall use CAMA type signaling with multifrequency (MF) tones that will deliver ANI with the voice portion of the call. At the request of Sprint, GTE will provide Sprint with the appropriate CLLI codes and specifications of the tandem office serving area. If an Sprint Central Office serves end users in an area served by more than one GTE 911/E911 selective router, Sprint will install a minimum of two dedicated trunks in accordance with this section to each of such 911/E911 selective routers.

**37.10.2 Transport**

If Sprint desires to obtain transport from its end office to the GTE 911 selective routers, Sprint may purchase such transport from GTE at the rates set forth in GTE's intrastate switched access tariff or in GTE's intrastate special access tariff.

**37.10.3 Cooperation and Level of Performance**

37.10.3.1 The Parties agree to provide access to 911/E911 in a manner that is transparent to the end user. The Parties will work together to facilitate the prompt, reliable and efficient interconnection of Sprint's systems to the 911/E911 platforms to ensure that 911/E911 service is fully available to Sprint's end users, with a level of performance that will provide the same grade of service as that which GTE provides to its own end users and that meets State requirements. To this end, GTE will provide documentation to Sprint showing the correlation of its rate centers to its E911 tandems.

- 37.10.3.2 In the event of an GTE or Sprint 9 1 1 trunk group failure, the Party that owns the trunk group will notify, on a priority basis, the other Party of such failure, which notification shall occur within two (2) hours of the occurrence or sooner if required under Applicable Law. The Parties will exchange a list containing the names and telephone numbers of the support center personnel responsible for maintaining the 9 1 1 Service between the Parties.
- 37.10.3.3 When Sprint purchases transport, GTE will provide Sprint with the order number and the circuit identification code in advance of the service due date.
- 37.10.3.4 Sprint or its third party agent will provide CNA data to GTE for use in entering the data into the 9 1 1 data base. The initial CNA data will be provided to GTE in a format prescribed by NENA (National Emergency Number Association). Sprint is responsible for providing GTE updates to the CNA data and error corrections which may occur during the entry of CNA data to the GTE 9 1 1 Database System. GTE will confirm receipt of such data and corrections by close of business on the next Business Day by providing Sprint with a report of the number of items sent, the number of items entered correctly, and the number of errors.
- 37.10.3.5 Sprint will monitor the 9 1 1 circuits for the purpose of determining originating network traffic volumes. Sprint will notify GTE if the traffic study information indicates that additional circuits are required to meet the current level of 9 1 1 call volumes.
- 37.10.3.6 [Intentionally deleted.]
- 37.10.3.7 Inter-office trunks provided for 911 shall be engineered to assure minimum P.01 transmission grade of service as measured during the busy day/busy hour. A minimum of two trunks shall be provided by Sprint.

**37.10.4 Updates to MSAG**

It shall be the responsibility of Sprint to ensure that the address of each of its end users is included in the Master Street Address Guide ("MSAG") via information provided on Sprint's Local Service Request ("LSR") or via a separate feed established by Sprint and GTE pursuant to section 37.10.5 of this Article. Any MSAG change that appears to be required by Sprint must be approved by the County. Within thirty (30) days after the Effective Date of this Agreement, GTE shall provide Sprint with an initial electronic copy and a paper copy of the MSAG or its equivalent. Prior to the time that updates

are available electronically, GTE will provide updates to Sprint on a monthly basis. Thereafter, GTE will provide updates to Sprint as changes are made.

#### **37.10.5 Updates to Database**

GTE and Sprint will work together to develop the process by which the 911/E911 database will be updated with Sprint's end user 911/E911 information. Sprint shall have the right to verify the accuracy of the information regarding Sprint's end users in the 911/E911 database.

#### **37.10.6 Compensation**

In situations in which GTE is responsible for maintenance of the 911/E911 database and can be compensated for maintaining Sprint's information by the municipality, GTE will seek such compensation from the municipality. GTE will seek compensation from Sprint only if and to the extent that GTE is unable to obtain such compensation from the municipality.

### **38. Transmission and routing of telephone exchange service traffic pursuant to section 251(c)(2)**

#### **38.1 Scope of Traffic**

This Section prescribes parameters for trunk groups (the "Local/IntraLATA Trunks") to be effected over the Interconnections specified in Part IV for the transmission and routing of Local Traffic and IntraLATA Toll Traffic between the Parties' respective Telephone Exchange Service Customers.

#### **38.2 Limitations**

No Party shall terminate Exchange Access traffic or originate untranslated 800/888 traffic over Local/IntraLATA Interconnection Trunks.

#### **38.3 Trunk Group Architecture and Traffic Routing**

The Parties shall jointly engineer and configure Local/IntraLATA Trunks over the physical Interconnection arrangements as follows:

##### **38.3.1 Notwithstanding anything to the contrary contained in this Section, if the traffic volumes between any two Central Office Switches at any time exceeds the CCS busy hour equivalent of one DS1, the Parties**

shall within sixty (60) days after such occurrence establish new direct trunk groups to the applicable End Office(s) consistent with the grades of service and quality parameters set forth in the Grooming Plan.

- 38.3.2 Only those valid NXX codes served by an End Office may be accessed through a direct connection to that End Office.
- 38.3.3 Each Party shall ensure that each Tandem connection permits the completion of traffic to all End Offices which sub-tend that Tandem or to End Offices which sub-tend an additional Tandem, provided, that Sprint enters into an appropriate billing arrangement pursuant to Section 38.3.4. Alternatively, each Party shall establish and maintain separate trunk groups connected to each Tandem of the other Party which serves, or is sub tended by End Offices which serve, such other Party's customers within the Exchange Areas served by such Tandem Switches.
- 38.3.4 GTE will provide tandem to tandem switching to Sprint. Sprint shall enter into an appropriate billing arrangement with GTE to ensure recovery of inter-tandem switching costs at rates established by the Commission.

#### 38.4 **Signaling**

SS7 Signaling may be used for signaling for IntraLATA and local calls between Sprint switches, between Sprint switches and GTE switches, and between Sprint switches and those third party networks with which GTE's SS7 network is interconnected.

- 38.4.1 Where available, CCIS signaling shall be used by the Parties to set up calls between the Parties' local networks. Each Party shall supply Calling Party Number (CPN) within the SS7 signaling message, if available. If Common Channel Interoffice Signaling ("CCIS") is unavailable, MF (Multi-Frequency) signaling shall be used by the Parties.
- 38.4.2 Each Party is responsible for requesting Interconnection to the other Party's CCIS network, where SS7 signaling on the trunk group(s) is desired. Each Party shall connect, either directly or via arrangements with third party providers, to a pair of access STPs where traffic will be exchanged. The Parties shall establish interconnection at the STP.



- 38.4.3 The Parties will cooperate on the exchange of Transactional Capabilities Application Part (TCAP) messages to facilitate interoperability of CCIS based features between their respective networks, including all CLASS features and functions, to the extent each Party offers such features and functions to its Customers. Each Party shall honor all privacy indicators as required under Applicable Law.
- 38.4.4 Where available and upon the request of the other Party, each Party shall cooperate to ensure that its trunk groups are configured utilizing the B8ZS ESF protocol for 64 kbps clear channel transmission to allow for ISDN interoperability between the Parties' respective networks.
- 38.5 **Grades of Service**
- The Parties shall initially engineer and shall jointly monitor and enhance all trunk groups consistent with the Grooming Plan.
- 38.6 **Measurement and Billing**
- 38.6.1 Each Party shall pass Calling Party Number (CPN) information on each call that it originates and terminates over the Local/IntraLATA Trunks. Until GTE installs the capability to use actual CPN information, all calls exchanged shall be billed either as Local Traffic or IntraLATA Toll Traffic based upon a percentage of local usage (PLU) factor calculated based on the amount of actual volume (or best estimate) during the preceding three months. The PLU will be reevaluated every three (3) months.
- 38.6.2 Measurement of Telecommunications traffic billed hereunder shall be (i) in actual conversation time as specified in FCC terminating FGD Switched access tariffs for Local Traffic and (ii) in accordance with applicable tariffs for all other types of Telecommunications traffic.
- 38.7 **Reciprocal Compensation Arrangements**
- Reciprocal Compensation for the exchange of traffic shall be paid as described in Part V and Attachment 15, at the prices specified in Attachment 14.
- 38.8 **Transiting Traffic**
- 38.8.1 The exchange of transiting traffic is defined in Section 37.5.2.

38.8.2 Compensation for transiting traffic shall be paid as described in Part V and Attachment 15, at the prices specified in Attachment 14.

**39. Transmission and Routing of Exchange Access Traffic**

**39.1 Scope of Traffic**

This Section prescribes parameters for certain trunk groups ("Access Toll Connecting Trunks") to be established over the Interconnections specified in this Agreement for the transmission and routing of Exchange Access traffic and nontranslated 800 traffic between Sprint Telephone Exchange Service Customers and Interexchange Carriers.

**39.2 Trunk Group Architecture and Traffic Routing**

39.2.1 The Parties shall jointly establish Access Toll Connecting Trunks by which they will jointly provide Tandem transported Switched Exchange Access Services to Interexchange Carriers to enable such Interexchange Carriers to originate and terminate traffic from and to Sprint's customers.

39.2.2 Access Toll Connecting Trunks shall be used solely for the transmission and routing of Exchange Access and nontranslated 800/888 traffic to allow Sprint's customers to connect to or be connected to the interexchange trunks of any Interexchange Carrier which is connected to a GTE access Tandem.

39.2.3 The Access Toll Connecting Trunks shall be two way trunks connecting an End Office Switch that Sprint utilizes to provide Telephone Exchange Service and Switched Exchange Access Service in a given LATA to an access Tandem Switch GTE utilizes to provide Exchange Access in such LATA.

39.2.4 The Parties shall jointly determine which GTE access Tandem(s) will be sub-tended by each Sprint End Office Switch.

39.2.5 Only those valid NXX codes served by an End Office may be accessed through a direct connection to that End Office.

**40. Transport and Termination of Information Services Traffic**

40.1 Each Party shall route Information Service Traffic which originates on its own network to the appropriate information services platform(s) connected to the other Party's network over the Local/IntraLATA Trunks.

- 40.2 The Party ("Originating Party") on whose network the Information Services Traffic originated shall provide an electronic file transfer or monthly magnetic tape containing recorded call detail information to the Party ("Terminating Party") to whose information platform the Information Services Traffic terminated.
- 40.3 The Terminating Party shall provide to the Originating Party via electronic file transfer or magnetic tape all necessary information to rate the Information Services Traffic to the Originating Party's customers and establish uncollectible reserves pursuant to the Terminating Party's agreements with each information provider.
- 40.4 The Originating Party shall bill and collect such information provider charges and remit the amounts collected to the Terminating Party less:
  - 40.4.1 The Information Services Billing and Collection fee set forth in Attachment 14; and
  - 40.4.2 An uncollectibles reserve calculated based on the uncollectibles reserve in the Terminating Party's billing and collection agreement with the applicable information provider; and
  - 40.4.3 Customer adjustments provided by the Originating Party.
- 40.5 The Originating Party shall provide to the Terminating Party sufficient information regarding uncollectibles and customer adjustments. The Terminating Party shall pass through the adjustments to the information provider. Final resolution regarding all disputed adjustments shall be solely between the Originating Party and the information provider.
- 40.6 Nothing in this Agreement shall restrict either Party from offering to its Telephone Exchange Service Customers the ability to block the completion of Information Service Traffic.

#### **41. Installation, Maintenance, Testing and Repair**

##### **41.1 Grooming Plan**

Within ninety (90) days after the Effective Date, Sprint and GTE shall jointly begin the development of a plan (the "Grooming Plan") which shall define and detail, inter alia, (i) standards to ensure that Interconnection trunk groups experience a grade of service, availability and quality in accord with all appropriate relevant industry-accepted quality, reliability and availability standards and in

accordance with the levels GTE provides to itself, or any subsidiary, Affiliate or other person; (ii) the respective duties and responsibilities of the Parties with respect to the administration and maintenance of the Interconnections (including signaling) specified in Part IV and the trunk groups specified in Part IV, including standards and procedures for notification and discoveries of trunk disconnects; (iii) disaster recovery and escalation provisions; and (iv) such other matters as the Parties may agree.

#### **41.2 Operation and Maintenance**

Each Party shall be solely responsible for the installation, operation and maintenance of equipment and facilities provided by it for Interconnection, subject to compatibility and cooperative testing and monitoring and the specific operation and maintenance provisions for equipment and facilities used to provide Interconnection. Operation and maintenance of equipment in Virtual Collocation shall be in accordance with the provisions of Attachment 3. Each party shall also be responsible for engineering and maintaining its network on its side of the interconnection point. If and when the Parties choose to interconnect at a mid-span meet, the Parties will jointly provision the fiber optic facilities that connect the two networks and shall share the financial and other responsibilities for those facilities.

## **PART V: PRICING**

### **42. General Principles**

All services currently provided hereunder including resold Local Services , Network Elements and Combinations, Interconnection and any new and additional services or Network Elements to be provided hereunder shall be priced in accordance with all applicable provisions of the Act and the rules and orders of the FCC and any state public utility commission having jurisdiction over this Agreement.

### **43. Price Schedules**

#### **43.1 Local Service Resale**

The prices to be charged to Sprint for Local Services shall be as specified in Attachment 14.

#### **43.2 Unbundled Network Elements**

The prices charged to Sprint for Unbundled Network Elements shall be as specified in Attachment 14 and shall be nondiscriminatory.

43.2.1 If implementation of an unbundled loop feeder supports shared use of required unbundling facilities, the cost of such facilities shall be allocated and prorated among all users in a non-discriminatory and competitively neutral manner. If such implementation supports only Sprint's use, then Sprint shall pay to GTE the incremental cost of such implementation.

43.2.2 If implementation of an unbundled loop concentrator /multiplexer element supports shared use of required unbundling facilities, the cost of such facilities shall be allocated and prorated among all users in a non-discriminatory and competitively neutral manner. If implementation supports only Sprint's use, then Sprint shall pay to GTE the incremental cost of such implementation.

43.2.3 Sprint will be responsible for the costs (if any) required to create an interface at the main distribution frame if such interface does not already exist, such as in the case of an Integrated Digital Loop Carrier System.

**43.3 Interconnection**

43.3.1 Reciprocal Compensation applies for transport and termination of Local Traffic billable by GTE or Sprint which a Telephone Exchange Service Customer originates on GTE's or Sprint's network for termination on the other Party's network. Reciprocal Compensation for exchange of traffic shall initially be paid on a "bill and keep" basis subject to the right of either Party to demand that compensation be calculated based upon actual local exchange traffic volumes as further specified in Attachment 14.

43.3.2 The Reciprocal Compensation arrangements set forth in this Agreement are not applicable to Switched Exchange Access Service. All Switched Exchange Access Service and all IntraLATA Toll Traffic shall continue to be governed by the terms and conditions of the applicable federal and state tariffs.

43.3.3 Each Party shall charge the other Party its effective tariffed intraLATA FGD switched access rates for the transport and termination of all IntraLATA Toll Traffic.

43.3.4 Standard meet point billing arrangements, as defined in Attachment 6, shall apply when the completion of a toll call involves both GTE and Sprint facilities, as further described in Attachment 6.

43.3.5 To compensate Sprint for applicable access revenues associated with terminating interLATA or intraLATA toll calls to Sprint subscribers whose telephone numbers have been ported from GTE, GTE shall pay Sprint seventy percent (70%) of the terminating access revenues as determined on a LATA basis by the following formulae. Such formulae shall be updated on a quarterly basis at the request of either Party.

43.3.5.1 the product of (total terminating access revenues for business customers) divided by (the number of business subscriber lines) multiplied by (the number of business lines ported to Sprint); and

43.3.5.2 the product of (total terminating access revenues for residential customers) divided by (the number of residential subscriber lines) multiplied by (the number of residential lines ported to Sprint).

**43.3.6 Transiting Traffic**

The following applies to all scenarios with transiting traffic.

- 43.3.6.1 Sprint shall pay to GTE a Transiting Service Charge for the use of its Tandem Switching as specified in Attachment 14.
- 43.3.6.2 Until such time as Sprint and the third party LEC or ILEC agree upon mutual compensation, third party mutual compensation will be exchanged between Sprint and GTE as follows:
- 43.3.6.3 [Intentionally deleted.]
- 43.3.6.4 [Intentionally deleted.]
- 43.3.6.5 GTE will provide tandem switching at GTE access tandems for traffic between Sprint and GTE end offices subtending the GTE access tandem, as well as for traffic between Sprint and non-GTE end offices subtending GTE access tandems. By transporting traffic to a non-GTE end office(s) via a GTE tandem, Sprint assumes responsibility for compensation to GTE for all tandem switched traffic between Sprint and the non-GTE end office(s). This responsibility may be fulfilled either by payment by Sprint to GTE for all tandem switched traffic between Sprint and the non-GTE end office(s) or by an agreement between Sprint and the non-GTE end office LEC pursuant to which GTE is expressly made a third party beneficiary and GTE would receive compensation from either Sprint or the non-GTE end office LEC, depending upon which entity originated the traffic. GTE will bill Sprint for each minute of use Sprint generates that is tandem switched.
- 43.3.6.6 By transporting traffic to non-GTE end offices via a GTE tandem, Sprint assumes responsibility for compensation to the non-GTE end office company. Sprint assumes responsibility for negotiating a compensation arrangement with the non-GTE end office for IntraLATA Toll Traffic terminating to Sprint from such third party LEC or ILEC.

In witness whereof, the Parties have executed this Agreement through their authorized representatives.

GTE Northwest Incorporated

Sprint Communications Company, L.P.

By: \_\_\_\_\_  
Signature

By: \_\_\_\_\_  
Signature

\_\_\_\_\_  
Name

\_\_\_\_\_  
Name

\_\_\_\_\_  
Title

\_\_\_\_\_  
Title

\_\_\_\_\_  
Date

\_\_\_\_\_  
Date



**ATTACHMENT 1**

**ALTERNATIVE DISPUTE RESOLUTION**

**TABLE OF CONTENTS**

1. PURPOSE ..... 1

2. EXCLUSIVE REMEDY ..... 1

3. INFORMAL RESOLUTION OF DISPUTES ..... 2

4. INITIATION OF AN ARBITRATION ..... 3

5. GOVERNING RULES FOR ARBITRATION ..... 3

6. APPOINTMENT AND REMOVAL OF ARBITRATOR ..... 3

7. DUTIES AND POWERS OF THE ARBITRATOR ..... 4

8. DISCOVERY ..... 5

9. PRIVILEGES ..... 5

10. LOCATION OF HEARING ..... 5

11. DECISION ..... 5

12. FEES ..... 6

13. CONFIDENTIALITY ..... 6

14. SERVICE OF PROCESS ..... 7

Appendix 1      Procedures for Resolution of Service-Affecting Disputes

## **ALTERNATIVE DISPUTE RESOLUTION**

### **1. Purpose**

This Attachment 1 is intended to provide for the expeditious, economical, and equitable resolution of disputes between GTE and Sprint arising under this Agreement, and to do so in a manner that permits uninterrupted, high quality services to be furnished to each Party's customers.

### **2. Exclusive Remedy**

2.1 Negotiation and arbitration under the procedures provided herein shall be the exclusive remedy for all disputes between GTE and Sprint arising out of this Agreement or its breach. GTE and Sprint agree not to resort to any court, agency, or private group with respect to such disputes except in accordance with this Attachment.

2.1.1 If, for any reason, certain claims or disputes are deemed to be non-arbitrable, the non-arbitrability of those claims or disputes shall in no way affect the arbitrability of any other claims or disputes.

2.1.2 If, for any reason, the FCC or any other federal or state regulatory agency exercises jurisdiction over and decides any dispute related to this Agreement or to any GTE Tariff and, as a result, a claim is adjudicated in both an agency proceeding and an arbitration proceeding under this Attachment 1, the following provisions shall apply:

2.1.2.1 To the extent required by law, the agency ruling shall be binding upon the parties for the limited purposes of regulation within the jurisdiction and authority of such agency.

2.1.2.2 The arbitration ruling rendered pursuant to this Attachment 1 shall be binding upon the parties for purposes of establishing their respective contractual rights and obligations under this Agreement, and for all other purposes not expressly precluded by such agency ruling.

2.1.3 Nothing in this Attachment 1 shall limit the right of either GTE or Sprint to obtain provisional remedies (including injunctive relief) from a court before, during or after the pendency of any arbitration proceeding brought pursuant to this Attachment 1. However, once a decision is reached by the Arbitrator, such decision shall supersede any provisional remedy.

3. **Informal Resolution of Disputes**

3.1 Prior to initiating an arbitration pursuant to the American Arbitration Association ("AAA") rules, as described below, the Parties to this Agreement shall submit any dispute between GTE and Sprint for resolution to an Inter-Company Review Board consisting of one representative from Sprint at the Director-or-above level and one representative from GTE at the Vice-President-or-above level (or at such lower level as each Party may designate). The dispute will be submitted by either Party giving written notice to the other Party, consistent with the notice requirements of this Agreement, that the Party intends to initiate the Informal Resolution of Disputes process. The notice shall define the dispute to be resolved. The Parties may use a mediator to help informally settle a dispute.

The initial representatives of each Party shall be as follows:

Sprint

\_\_\_\_\_  
\_\_\_\_\_  
\_\_\_\_\_

Telephone: \_\_\_\_\_  
Telecopier: \_\_\_\_\_

GTE

\_\_\_\_\_  
\_\_\_\_\_  
\_\_\_\_\_

Telephone: \_\_\_\_\_  
Telecopier: \_\_\_\_\_

A representative shall be entitled to appoint a delegee to act in his or her place as a Party's representative on the Inter-Company Review Board for any specific dispute brought before the Board.

3.2 The Parties may enter into a settlement of any dispute at any time. The Settlement Agreement shall be in writing, and shall identify how the Arbitrator's or mediator's fee for the particular proceeding, if any, will be apportioned.

3.3 At no time, for any purposes, may a Party introduce into evidence or inform the Arbitrator appointed under Section 6 below of any statement or other action of a Party in connection with negotiations between the Parties

pursuant to the Informal Resolution of Disputes provision of this Attachment 1.

- 3.4 By mutual agreement, the Parties may agree to submit a dispute to mediation prior to initiating arbitration.

4. **Initiation of an Arbitration**

If the Inter-Company Review Board is unable to resolve a non-service affecting dispute within 30 days (or such longer period as agreed to in writing by the Parties) of such submission, and the Parties have not otherwise entered into a settlement of their dispute, the Parties shall initiate an arbitration in accordance with the AAA rules. Any dispute over a matter which directly affects the ability of a Party to provide high quality services to its customers will be governed by the procedures described in Appendix 1 to this Attachment 1.

5. **Governing Rules for Arbitration**

The rules set forth below and the rules of Commercial Arbitrations of the AAA shall govern all arbitration proceedings initiated pursuant to this Attachment; however, such arbitration proceedings shall not be conducted under the auspices of the AAA unless the Parties mutually agree. Where any of the rules set forth herein conflict with the rules of the AAA, the rules set forth in this Attachment shall prevail.

6. **Appointment and Removal of Arbitrator**

- 6.1 Within forty-five (45) days following the Effective Date of this Agreement the Parties will appoint three arbitrators, each of whom will have experience in the field of telecommunications. Each such Arbitrator shall serve for the full term of this Agreement, unless removed pursuant to Section 6.3 of this Attachment. Each of the three Arbitrators will be appointed by mutual agreement of the Parties in writing within the aforementioned forty-five day period. Each Arbitrator so appointed shall receive an assignment designation number (1, 2 or 3), and the Arbitrators shall be assigned in that sequence as disputes arise that are subject to this Attachment. In the event that any of the three initial Arbitrators so appointed resigns or is removed pursuant to Section 6.3 of this Attachment, or becomes unable to discharge his or her duties, the Parties shall, by mutual written agreement, appoint a replacement Arbitrator within thirty (30) days after the date of such resignation, removal or disability. All matters pending before the departing Arbitrator shall be

reassigned as provided in Section 6.4 of this Attachment; provided however that such matters shall not be assigned to the replacement Arbitrator. New matters will be assigned the replacement Arbitrator in accordance with the procedure set forth herein(above).

- 6.2 For each dispute properly submitted for arbitration under this Attachment, the Parties shall assign a sole Arbitrator from among the three Arbitrators appointed under Section 6.1 in accordance with the assignment sequence described therein. Each such assignment shall be made within ten (10) days of the expiration under Section 4 of this Attachment of the Inter-Company Review Board review period. Insofar as common issues arise concerning more than one Interconnection, Resale and Unbundling Agreement signed between a Sprint Affiliate and a GTE Affiliate, the Parties agree that such common issues will be combined and submitted to the same Arbitrator for resolution.
- 6.3 The Parties may, by mutual written agreement, remove an Arbitrator at any time, and shall provide prompt written notice of removal to such Arbitrator. Notwithstanding the foregoing, any Arbitrator may be removed at any time unilaterally by either Party as permitted in the rules of the AAA. Furthermore, upon (30) days' prior written notice to the Arbitrator and to the other Party, a Party may remove an Arbitrator with respect to future disputes which have not been submitted to arbitration in accordance with the requirements of Section 4 of this Attachment 1, as of the date of such notice.
- 6.4 In the event that an Arbitrator resigns or is removed pursuant to Section 6.3 of this Attachment, or becomes unable to discharge his or her duties, or is otherwise unavailable to perform the duties of Arbitrator, any matters then pending before that departing or disabled Arbitrator will be assigned to the incumbent Arbitrator with the next assignment designation number (in ascending order). Such assignment will be made effective by written notice of the Parties to be provided within ten days following the resignation, removal or unavailability that necessitates such reassignment.
- 6.5 In the event that the Parties do not appoint an Arbitrator or replacement Arbitrator within the time periods prescribed in Section 6.1 of this Attachment 1, either Party may apply to AAA for appointment of such Arbitrator. Prior to filing an application with the AAA, the Party filing such application shall provide ten (10) days' prior written notice to the other Party to this Agreement.

7. **Duties and Powers of the Arbitrator**

7.1 The Arbitrator shall receive complaints and other permitted pleadings, oversee discovery, administer oaths and subpoena witnesses pursuant to the United States Arbitration Act, hold hearings, issue decisions, and maintain a record of proceedings. The Arbitrator shall have the power to award any remedy or relief that a court with jurisdiction over this Agreement could order or grant, including, without limitation, the awarding of damages, pre-judgment interest, specific performance of any obligation created under the Agreement, issuance of an injunction, or imposition of sanctions for abuse or frustration of the arbitration process, except that the Arbitrator may not award punitive damages or any remedy rendered unavailable to the Parties pursuant to Section 10.3 of the General Terms and Conditions of this Agreement.

7.2 The Arbitrator shall not have the authority to limit, expand, or otherwise modify the terms of this Agreement.

8. **Discovery**

GTE and Sprint shall attempt, in good faith, to agree on a plan for document discovery. Should they fail to agree, either GTE or Sprint may request a joint meeting or conference call with the Arbitrator. The Arbitrator shall resolve any disputes between GTE and Sprint, and such resolution with respect to the scope, manner, and timing of discovery shall be final and binding.

9. **Privileges**

Although conformity to certain legal rules of evidence may not be necessary in connection with arbitrations initiated pursuant to this Attachment, the Arbitrator shall, in all cases, apply the attorney-client privilege and the work product immunity doctrines.

10. **Location of Hearing**

Unless both Parties agree otherwise, any hearings shall take place in Dallas, Texas.

11. **Decision**

11.1 Except as provided below, the Arbitrator's decision and award shall be final and binding, and shall be in writing and shall set forth the Arbitrator's reasons therefor for decision unless the Parties mutually agree to waive

the requirement of a written opinion. Judgment upon the award rendered by the Arbitrator may be entered in any court having jurisdiction thereof. Either Party may apply to the United States District Court for the district in which the hearing occurred for an order enforcing the decision.

- 11.2 A decision of the Arbitrator shall not be final in the following situations:
- a) a Party appeals the decision to the Commission or FCC, and the matter is within the jurisdiction of the Commission or FCC, provided that the agency agrees to hear the matter;
  - b) the dispute concerns the misappropriation or use of intellectual property rights of a Party, including, but not limited to, the use of the trademark, tradename, trade dress or service mark of a Party, and the decision appealed by a Party to a federal or state court with jurisdiction over the dispute.

- 11.3 Each Party agrees that any permitted appeal must be commenced within thirty (30) days after the Arbitrator's decision in the arbitration proceedings is issued. In the event of an appeal, a Party must comply with the results of the arbitration process during the appeal process.

12. **Fees**

Unless otherwise mutually agreed in writing, each Arbitrator's fees and expenses shall be shared equally between the Parties, provided, however, that in the arbitration of any particular dispute either Party may request that all fees and expenses directly related to that arbitration matter be imposed on the other Party, and the Arbitrator shall have the power to grant such relief, in whole or in part.

13. **Confidentiality**

- 13.1 GTE, Sprint, and the Arbitrator will treat the arbitration proceeding, including the hearings and conferences, discovery, or other related events, as confidential, except as necessary in connection with a judicial challenge to, or enforcement of, an award, or unless otherwise required by an order or lawful process of a court or governmental body.

- 13.2 In order to maintain the privacy of all arbitration conferences and hearings, the Arbitrator shall have the power to require the exclusion of any person, other than a Party, counsel thereto, or other essential persons.

13.3 To the extent that any information or materials disclosed in the course of an arbitration proceeding contains proprietary or confidential Information of either Party, it shall be safeguarded in accordance with Section 17 of this Agreement. However, nothing in Section 17 of this Agreement shall be construed to prevent either Party from disclosing the other Party's Information to the Arbitrator in connection with or in anticipation of an arbitration proceeding. In addition, the Arbitrator may issue orders to protect the confidentiality of proprietary information, trade secrets, or other sensitive information.

14. **Service of Process**

14.1 Service may be made by submitting one copy of all pleadings and attachments and any other documents requiring service to each Party and one copy to the Arbitrator. Service shall be deemed made (i) upon receipt if delivered by hand; (ii) after three (3) business days if sent by first class certified U.S. mail; (iii) the next business day if sent by overnight courier service; (iv) upon confirmed receipt if transmitted by facsimile. If service is by facsimile, a copy shall be sent the same day by hand delivery, first class U.S. mail, or overnight courier service.

14.2 Service by Sprint to GTE and by GTE to Sprint at the address designated for delivery of notices in this Agreement shall be deemed to be service to GTE or Sprint, respectively. The initial address for delivery of notices is specified in Subsection 3 above.



## **Appendix I to Attachment 1**

### **ALTERNATIVE DISPUTE RESOLUTION**

#### **Procedure for Resolution of Service-Affecting Disputes**

##### **1. Purpose.**

This Appendix 1 describes the procedures for an expedited resolution of disputes between GTE and Sprint arising under this Agreement which directly affect the ability of a Party to provide uninterrupted, high quality services to its customers and which cannot be resolved using the procedures for informal resolution of disputes contained in Attachment 1 to the Agreement.

Except as specifically provided in this Appendix 1 to Attachment 1, the provisions of Attachment 1 shall apply.

##### **2. Initiation of an Arbitration.**

- a) If the Inter-Company Review Board is unable to resolve a service affecting dispute within two (2) business days (or such longer period as agreed to in writing by the Parties) of such submission, and the Parties have not otherwise entered into a settlement of their dispute, a Party may initiate an arbitration in accordance with the requirements of this Appendix 1 to Attachment 1. However, in the sole discretion of the Party which submitted the dispute to the Inter-Company Review Board, the dispute may be arbitrated in accordance with the general procedures described in Attachment 1 rather than the expedited procedures of this Appendix 1 to Attachment 1.
- b) A proceeding for arbitration will be commenced by a Party ("Complaining Party") filing a complaint with the Arbitrator and simultaneously serving a copy on the other Party ("Complaint").
- c) Each Complaint will concern only the claims relating to an act or failure to act (or series of related acts or failures to act) of a Party which affect the Complaining Party's ability to offer a specific service (or group or related services) to its customers.

A Complaint may be in letter or memorandum form and must specifically describe the action or inaction of a Party in dispute and identify with particularity how the complaining Party's service to its customers is affected.

3. **Response to Complaint.**

A response to the Complaint must be filed within five (5) business days after service of the Complaint.

4. **Reply to Complaint.**

A reply is permitted to be filed by the Complaining Party within three (3) business days of service of the response. The reply must be limited to those matters raised in the response.

5. **Discovery.**

The Parties shall cooperate on discovery matters as provided in Section 8 of Attachment 1, but following expedited procedures.

6. **Hearing.**

- a) The Arbitrator will schedule a hearing on the Complaint to take place within twenty (20) business days after service of the Complaint. However, if mutually agreed to by the parties, a hearing may be waived and the decision of the Arbitrator will be based upon the papers filed by the Parties.
- b) The hearing will be limited to four (4) days, with each Party allocated no more than two (2) days, including cross examination by the other Party, to present its evidence and arguments. For extraordinary reasons, including the need for extensive cross-examination, the Arbitrator may allocate more time for the hearing.

In order to focus the issues for purposes of the hearing, to present initial views concerning the issues, and to facilitate the presentation of evidence, the Arbitrator has the discretion to conduct a telephone prehearing conference at a mutually convenient time, but in no event later than three (3) days prior to any scheduled hearing.

Each Party may introduce evidence and call witnesses it has previously identified in its witness and exhibit lists. The witness and exhibit lists must be furnished to the other Party at least three (3) days prior to commencement of the hearing. The witness list will disclose the substance of each witness' expected testimony. The exhibit list will identify by name (author and recipient), date, title and any other identifying characteristics the exhibits to be used at the arbitration. Testimony from

witnesses not listed on the witness list or exhibits not listed on the exhibit list may not be presented in the hearing.

- c) The parties will make reasonable efforts to stipulate to undisputed facts prior to the date of the hearing.
- d) Witnesses will testify under oath and a complete transcript of the proceeding, together with all pleadings and exhibits, shall be maintained by the Arbitrator.

**7. Decision.**

- a) The Arbitrator will issue and serve his or her decision on the Parties within five (5) business days of the close of the hearing or receipt of the hearing transcript, whichever is later.
- b) The Parties agree to take the actions necessary to implement the decision of the Arbitrator immediately upon receipt of the decision.

**ATTACHMENT 2****SERVICE DESCRIPTION: UNBUNDLED NETWORK ELEMENTS****TABLE OF CONTENTS**

|  |           |
|--|-----------|
| <b>1. <u>INTRODUCTION</u></b> .....                      | <b>1</b>  |
| <b>2. <u>NETWORK INTERFACE DEVICE</u></b> .....          | <b>1</b>  |
| <b>3. <u>LOOP</u></b> .....                              | <b>3</b>  |
| <b>4. <u>LOCAL SWITCHING</u></b> .....                   | <b>10</b> |
| <b>5. <u>OPERATOR SERVICES</u></b> .....                 | <b>17</b> |
| <b>6. <u>DIRECTORY ASSISTANCE SERVICE</u></b> .....      | <b>20</b> |
| <b>7. <u>COMMON TRANSPORT</u></b> .....                  | <b>21</b> |
| <b>8. <u>DEDICATED TRANSPORT</u></b> .....               | <b>22</b> |
| <b>9. <u>SIGNALING LINK TRANSPORT</u></b> .....          | <b>30</b> |
| <b>10. <u>SIGNALING TRANSFER POINTS (STPS)</u></b> ..... | <b>32</b> |
| <b>11. <u>SERVICE CONTROL POINTS/DATABASES</u></b> ..... | <b>35</b> |
| <b>12. <u>TANDEM SWITCHING</u></b> .....                 | <b>45</b> |
| <b>13. <u>ADDITIONAL REQUIREMENTS</u></b> .....          | <b>48</b> |
| <b>14. <u>UNUSED TRANSMISSION MEDIA</u></b> .....        | <b>75</b> |

## **SERVICE DESCRIPTION: UNBUNDLED NETWORK ELEMENTS**

### **1. Introduction**

This Attachment sets forth the descriptions and requirements for unbundled network elements that GTE agrees to offer to Sprint under this Agreement.

### **2. Network Interface Device**

#### **2.1. Definition:**

The Network Interface Device (NID) is a single-line termination device or that portion of a multiple-line termination device required to terminate a single line or circuit. The fundamental function of the NID is to establish the official network demarcation point between a carrier and its end-user customer. The NID generally features two independent chambers or divisions which separate the service provider's network from the customer's inside wiring. Each chamber or division contains the appropriate connection points or posts to which the service provider, and the end-user customer each make their connections. The NID provides a protective ground connection, and is capable of terminating cables such as twisted pair cable. The NID may be ordered as a Network Element independently from the Loop Distribution.

2.1.1. With respect to multiple-line termination devices, Sprint shall specify the quantity of NIDs it requires within such device.

Figure 1 - Network Interface Device [Intentionally Deleted]

#### **2.1.2. Technical Requirements**

2.1.2.1. The Network Interface Device shall provide a clean, accessible point of connection for the inside wiring and for the Distribution Media and shall maintain a connection to ground that meets the requirements set forth below.

2.1.2.2. The NID shall be capable of transferring electrical analog or digital signals between the customer's inside wiring and the Distribution Media.

2.1.2.3. All NID posts or connecting points shall be in place, secure, usable and free of any rust or corrosion. The protective ground connection

**3. Response to Complaint.**

A response to the Complaint must be filed within five (5) business days after service of the Complaint.

**4. Reply to Complaint.**

A reply is permitted to be filed by the Complaining Party within three (3) business days of service of the response. The reply must be limited to those matters raised in the response.

**5. Discovery.**

The Parties shall cooperate on discovery matters as provided in Section 8 of Attachment 1, but following expedited procedures.

**6. Hearing.**

- a) The Arbitrator will schedule a hearing on the Complaint to take place within twenty (20) business days after service of the Complaint. However, if mutually agreed to by the parties, a hearing may be waived and the decision of the Arbitrator will be based upon the papers filed by the Parties.
- b) The hearing will be limited to four (4) days, with each Party allocated no more than two (2) days, including cross examination by the other Party, to present its evidence and arguments. For extraordinary reasons, including the need for extensive cross-examination, the Arbitrator may allocate more time for the hearing.

In order to focus the issues for purposes of the hearing, to present initial views concerning the issues, and to facilitate the presentation of evidence, the Arbitrator has the discretion to conduct a telephone prehearing conference at a mutually convenient time, but in no event later than three (3) days prior to any scheduled hearing.

Each Party may introduce evidence and call witnesses it has previously identified in its witness and exhibit lists. The witness and exhibit lists must be furnished to the other Party at least three (3) days prior to commencement of the hearing. The witness list will disclose the substance of each witness' expected testimony. The exhibit list will identify by name (author and recipient), date, title and any other identifying characteristics the exhibits to be used at the arbitration. Testimony from

witnesses not listed on the witness list or exhibits not listed on the exhibit list may not be presented in the hearing.

- c) The parties will make reasonable efforts to stipulate to undisputed facts prior to the date of the hearing.
- d) Witnesses will testify under oath and a complete transcript of the proceeding, together with all pleadings and exhibits, shall be maintained by the Arbitrator.

**7. Decision.**

- a) The Arbitrator will issue and serve his or her decision on the Parties within five (5) business days of the close of the hearing or receipt of the hearing transcript, whichever is later.
- b) The Parties agree to take the actions necessary to implement the decision of the Arbitrator immediately upon receipt of the decision.

shall exist and be properly installed. The ground wire will also be free of rust or corrosion and have continuity relative to ground.

- 2.1.2.4. The NID shall be capable of withstanding all normal local environmental variations.
- 2.1.2.5. Where the NID is not located in a larger, secure cabinet or closet, the NID shall be protected from physical vandalism. The NID shall be physically accessible to Sprint designated personnel and GTE will identify the cable pair used for the particular service which will be replaced by Sprint. In cases where entrance to the customer premises is required to give access to the NID, Sprint shall obtain entrance permission directly from the customer.
- 2.1.2.6. GTE shall offer the NID together with, and separately from the Loop or Loop Distribution Media component of the Loop.
- 2.1.3. Interface Requirements
  - 2.1.3.1. Sprint shall be permitted to connect its own Loop directly to GTE's Network Interface Device (NID) in cases in which Sprint uses its own facilities to provide local service to an end user formerly served by GTE, as long as such direct connection does not adversely affect GTE's network. In order to minimize any such adverse effects, Sprint shall follow the procedures in sub-sections 2.1.3.2 and 2.1.3.3.
  - 2.1.3.2. When connecting its own loop facility directly to GTE's NID for a residence or business customer, Sprint must make a clean cut on the GTE drop wire at the NID so that no bare wire is exposed. Sprint shall not remove or disconnect GTE's drop wire from the NID or take any other action that might cause GTE's drop wire to be left lying on the ground.
  - 2.1.3.3. At multi-tenant customer locations, Sprint must remove the jumper wire from the distribution block (i.e. the NID) to the GTE cable termination block. If Sprint cannot gain access to the cable termination block, Sprint must make a clean cut at the closest point to the cable termination block. At Sprint's request and discretion, GTE will determine the cable pair to be removed at the NID in multi-tenant locations. Sprint will compensate GTE for the trip charge necessary to identify the cable pair to be removed.
  - 2.1.3.4. GTE agrees to offer NIDs for lease to Sprint, but not for sale. Sprint may remove GTE identification from any NID which it



connects to an Sprint loop, but Sprint may not place its own identification on such NID.

- 2.1.3.5. NID to NID Connection. GTE will not require that a separate NID be installed by Sprint in order to make a NID to NID connection. Rather than connecting its loop directly to GTE's NID, Sprint may also elect to install its own NID and effect a NID to NID connection to gain access to the end user's inside wiring.
- 2.1.3.6. Removal of Cable Pairs. Removal from the NID of existing cable pairs required for Sprint to terminate service is the responsibility of Sprint.
- 2.1.3.7. Maintenance / Liability. Sub-paragraphs 2.1.3.8 through 2.1.3.11 outline Sprint's responsibilities when leasing NIDs from GTE.
- 2.1.3.8. GTE is responsible for the maintenance of the NID when it is leased as part of the unbundled loop.
- 2.1.3.9. GTE is not responsible for any damage to Sprint's customer's interior wiring, station apparatus, or physical harm to the dwelling or persons resulting from over-voltage intrusion from Sprint's cable facilities.
- 2.1.3.10. When Sprint no longer wishes to lease the GTE NID, Sprint is responsible for ensuring that this equipment is left in proper working order.
- 2.1.3.11. When Sprint discontinues the use of the NID, GTE will perform a physical inspection of the NID prior to reconnection to a GTE customer and charge Sprint for any corrective maintenance which may be required.
- 2.1.4. The Network Interface Device shall be provided to Sprint in accordance with the technical references listed in Appendix A, under paragraph 1.

### 3. Loop

#### 3.1. **Definition:**

A "Loop" is a transmission facility between the main distribution frame (cross-connect), or functionally comparable piece of equipment in a GTE end office or wire center to a demarcation, connector block or network interface device at a customer's premises. Loop types include, but are not limited to, two-wire and

four-wire copper analog voice-grade loops, two-wire and four-wire loops that are conditioned to transmit analog and digital signals, needed to provide, for example, ISDN, ADSL, HDSL, and DS-1 level signals, DS-1 loops, Coax loops and Fiber loops. A Loop is composed of the following Sub-Loop Elements, to the extent that each is physically existent in the LEC network where the Loop is ordered and the Network Interface Device (NID). The Sub-Loop Elements are defined in detail below:

Loop Distribution Media

Loop Concentrator/Multiplexer

Loop Feeder

3.1.1. Requirements:

3.1.1.1. **Basic Loop.** The Basic Loop is a 2-wire copper facility or functional equivalent which will meet industry standard specifications for Voice Frequency transmission. The Basic Loop may include load coils, bridge taps, etc., or may include carrier derived facility components (i.e. pair gain applications, loop concentrator/multiplexers). The Basic Loop will be designed within industry design parameters with a loop loss (from customer to MDF) which does not exceed 10 dB and with a noise level less than 30 dbrnC. For loaded loops, the Bridge Tap and End section will be between 3 and 12 kFt.

3.1.1.2. **Special Conditioning Requirements.** The Basic Loop will be provided to Sprint at parity with GTE customers and will comply with the specifications noted in this section 3.1, Loop. Transmission of signaling messages or tones not provided by these specifications will be provided to Sprint, as agreed between Sprint and GTE. When placing an order for unbundled Loop and Sub-Loop elements, Sprint will notify GTE of any special requirements. Special conditioning to provide such requirements will be provided on a case-by-case basis, if technically feasible. Sprint agrees to bear the cost of any such special conditioning. Types of Loops which may require such conditioning include 2W/4W PABX Trunks, 2W/4W voice grade private line and foreign exchange lines, 4W digital data (2.4Kbps through 64Kbps), etc.

3.1.1.3. **ISDN BRI Loops.** Upon request by Sprint, GTE will provide 2W loops capable of transmitting ISDN data rates, where technically feasible. For Loops up to 18,000 feet from the MDF to the

customer, the Loops will be designed within industry design parameters with a loss not to exceed 42 dB at 40kHz. Bridge taps will not exceed 2,500 feet with no single bridge tap greater than 2,000 feet. Customers located greater than 18,000 feet from the MDF will require special Loop provisioning at an additional charge.

- 3.1.1.4. 4-Wire DS-1 Loops/ISDN PRI. These Loops will be designed to support a digital transmission rate of 1,544, 000 bps. These Loops will be designed within industry parameters and have no bridge taps or load coils. These Loops will employ special line treatment (span line repeaters, office terminating repeaters at the GTE wire center, or similar technology).
- 3.1.1.5. Features, Functions, Attributes, Etc. To the degree possible, all transport-based features, functions, service attributes, grades-of-service, installation, maintenance and repair intervals that apply to the bundled services, will apply to the above unbundled Loop.
- 3.1.1.6. All Loop facilities furnished by GTE on the premises of Sprint's end users and up to the network interface or functional equivalent are the property of GTE. GTE must have access to all such facilities for network management purposes. GTE employees and agents may enter said premises at any reasonable hour to test and inspect such facilities in connection with such purposes or, upon termination or cancellation of the Loop facility, to remove such facility.
- 3.1.1.7. If Sprint leases Loops which are conditioned to transmit digital signals, as a part of that conditioning, GTE will test the Loop after conditioning and provide recorded test results to Sprint. When Sprint provides its own switching, it will test the unbundled loops. If there is a maintenance problem on an unbundled loop, Sprint will report the problem to GTE, and GTE will be responsible for the repair of the loop. In maintenance and repair cases, if loop tests are taken, GTE will provide any recorded readings to Sprint at the time the trouble ticket is closed in the same manner as GTE provides to itself and its end users.
- 3.1.1.8. Sprint may order a copper twisted pair Loop even in instances where the Loop for services that GTE offers is other than a copper facility.
- 3.1.2. Unbundled Loop Facility Certification

- 3.1.2.1. Before deploying any service enhancing copper cable technology (e.g., HDSL, ISDN, etc.) over unbundled 2-wire analog voice grade loops provided by GTE, Sprint shall notify GTE of such intentions to enable GTE to assess the loop transport facilities to determine whether there are any existing copper cable loop transport technologies (e.g., analog carrier, etc.) deployed within the same cable sheath that would be interfered with if Sprint deployed the proposed service enhancing copper cable technology. If there are existing copper cable loop transport technologies already deployed within the same cable sheath, or if GTE already has specific planned projects to deploy copper cable loop transport technologies within the next six months for which it can demonstrate a specific commitment by producing detailed engineering plans, GTE will so inform Sprint and Sprint shall not be permitted to deploy such service enhancing copper cable technologies.
- 3.1.2.1.1. If Sprint fails to notify GTE of its plans to deploy service enhancing copper cable technology and obtain prior certification from GTE of the facilities, and if Sprint's deployment of such technology is determined to have caused interference with existing or planned copper cable loop transport technologies deployed by GTE in the same cable sheath, Sprint will immediately remove such service enhancing copper cable technology and shall reimburse GTE for all incurred expense related to this interference.
- 3.1.2.2. Prior to GTE deploying service enhancing copper cable technology, as described above, GTE will validate, through a search of its facility assignment records, that Sprint has not deployed technologies within the same cable sheath that would be interfered by those planned by GTE. Should such incompatibility exist, GTE will not deploy such technology that would interfere with those already deployed by Sprint.
- 3.1.2.2.1. Should GTE deploy service enhancing copper cable technology which is determined to interfere with technology previously deployed by Sprint, and Sprint can demonstrate that they had complied with GTE's Unbundled Loop Facility Certification procedure, GTE will remove their technology from the cable sheath, reimburse Sprint for all incurred expenses related to this interference.
- 3.1.3. Unbundled Loop Facility Reservation. GTE and Sprint may each reserve for up to 6 (six) months the right to deploy within GTE's network copper cable loop transport technology for specific projects

for which a party can demonstrate a specific commitment by producing detailed engineering plans.

3.1.4.

Requirements:

Specific Loops as described in 3.1.1.1 through 3.1.1.4 are capable of transmitting signals for the following services (as needed by Sprint to provide end-to-end service capability to its end-user customer):

1. 2-wire voice grade basic telephone services
2. 2-wire ISDN
3. 2-wire Centrex
4. 2 and 4-wire PBX lines or trunks
5. 2 and 4-wire voice grade private lines and foreign exchange lines
6. 4-wire digital data (2.4kbps through 64Kbps and n times 64Kbps) (where  $n < 24$ )
7. 4-wire DS1 (switched or private line)

3.1.5.

Additional Requirements for Loop Where Integrated Digital Loop Carrier Systems are being used. If GTE uses Integrated Digital Loop Carrier (DLCs) systems to provide local loop, GTE will make alternative arrangements to permit Sprint to order a contiguous unbundled Loop. These arrangements may include the following: provide Sprint with copper facilities or universal DLC that are acceptable to Sprint, deploy Virtual Remote Terminals, allow Sprint to purchase the entire Integrated DLC, or convert integrated DLCs to non-integrated systems.

3.2.

**Loop Distribution Media**

3.2.1.

Definition:

Loop Distribution Media provides connectivity between the NID and the terminal block on the customer-side of a Feeder Distribution Interface (FDI). The FDI is a device that terminates the Loop Distribution Media and the Loop Feeder, and cross-connects them in order to provide a continuous transmission path between the NID and a telephone company central office.

3.2.1.1.

In some instances, Sprint shall require a copper twisted pair Distribution Media in instances where the Loop Distribution Media for services that GTE offers is other than a copper facility.

- 3.2.2. GTE will provide to Sprint Loop Distribution Media of the same condition that exists for the current GTE customer.
- 3.2.3. GTE is not responsible for the end to end performance of the entire loop when GTE provides only the Loop Distribution Media.
- 3.2.4. The Loop Distribution Media provided under this Agreement shall meet or exceed the applicable interface requirements set forth in the technical references listed in Appendix A to this Attachment 2 under paragraph 2 thereof.
- 3.2.5. The Loop Distribution Media may be ordered by Sprint through the Bona Fide Request procedures outlined in Attachment 12. The request shall specify the technical requirements for the Loop Distribution Media.
- 3.2.6. GTE shall perform all cross connections to the FDI as Sprint may request from time to time in order to provide Network Elements to Sprint in accordance with this Agreement. Since GTE will be performing all necessary cross connections within the FDI and at the main distribution frame, Sprint agrees that there will be no requirement for personnel of Sprint to access the FDI or the serving wire center to the extent that Sprint has no equipment collocated in the GTE central office.
- 3.2.7. Sprint shall be responsible for the costs (if any) required to create an interface at the main distribution frame if such interface does not already exist, such as in the case of an Integrated Digital Loop Carrier System, as specified in Attachment 14.

**3.3. Loop Concentrator/Multiplexer**

**3.3.1. Definition:**

The Loop Concentrator/Multiplexer is the Network Element that: (1) aggregates lower bit rate or bandwidth signals to higher bit rate or bandwidth signals (multiplexing); (2) disaggregates higher bit rate or bandwidth signals to lower bit rate or bandwidth signals (demultiplexing); (3) aggregates a specified number of signals or channels to fewer channels (concentrating); (4) performs signal conversion, including encoding of signals (e.g., analog to digital and digital to analog signal conversion); and (5) in some instances performs electrical to optical (E/O) conversion.

The Loop Concentrator/Multiplexer function may be provided through a Digital Loop Carrier (DLC) system, channel bank,

multiplexer or other equipment at which traffic is encoded and decoded, multiplexed and demultiplexed, or concentrated.

- 3.3.2. GTE is not responsible for the end to end performance of the entire loop when GTE provides only the Loop Concentrator/Multiplexer.
- 3.3.3. The Loop Concentrator/Multiplexer provided under this Agreement shall meet or exceed the applicable interface requirements set forth in the technical references listed in Appendix A to this Attachment 2, under paragraph 2 thereof.
- 3.3.4. The Loop Concentrator/Multiplexer may be ordered by Sprint through the Bona Fide Request procedures outlined in Attachment 12. The request shall specify the technical requirements for the Loop Concentrator/Multiplexer.

#### **3.4. Loop Feeder**

##### **3.4.1. Definition:**

- 3.4.2. The Loop Feeder is the Network Element that provides connectivity between (1) a FDI associated with Loop Distribution Media and a termination point appropriate for the media in a central office, or (2) a Loop Concentrator/Multiplexer provided in a remote terminal and a termination point appropriate for the media in a central office. Since GTE will be performing all necessary cross connections within the FDI and the main distribution frame, there will be no requirement for personnel of Sprint to access the FDI or the serving wire center to the extent that Sprint has no equipment collocated in the GTE central office.
- 3.4.3. In certain cases, Sprint will require a copper twisted pair loop even in instances where the medium of the Loop Feeder for services that GTE offers is other than a copper facility.
- 3.4.4. The Loop Feeder provided under this Agreement shall meet or exceed the applicable interface requirements set forth in the technical references listed in Appendix A to this Attachment 2, under paragraph 2 thereof.
- 3.4.5. The Loop Feeder may be ordered by Sprint through the Bona Fide Request procedures outlined in Attachment 12. The request shall specify the technical requirements for the Loop Feeder.

- 3.4.6. GTE is not responsible for the end performance of the entire loop when GTE provides only the Loop Feeder.
- 3.5. Other Sub-Loop Terms and Conditions
  - 3.5.1. GTE agrees to provide access to the sub-loop network elements at the Feeder Distribution Interface (FDI), based on the following conditions:
  - 3.5.2. Sprint agrees to pay GTE to expand or replace the FDI (over and above the established price of the basic loop) to accommodate terminating the new Sprint cable.
  - 3.5.3. Sprint agrees to pay GTE an agreed upon charge to perform all cross connections within the GTE FDI (in addition to the price of the basic sub-loop network element(s) leased by Sprint).
  - 3.5.4. Sprint agrees that since all cross connects will be performed by GTE personnel, Sprint personnel will not require access to the FDI.

#### **4. Local Switching**

##### **4.1. Definition:**

Local Switching is the Network Element that provides the functionality required to connect the appropriate originating lines or trunks wired to the Main Distributing Frame (MDF) or Digital Signal Cross Connect (DSX) panel to a desired terminating line or trunk. Such functionality shall include all of the features, functions, and capabilities of the GTE switch including but not limited to: line signaling and signaling software, digit reception, dialed number translations, call screening, routing, recording, call supervision, dial tone, switching, telephone number provisioning, announcements, calling features and capabilities (including call processing), CENTRANET, Automatic Call Distributor (ACD), Carrier pre-subscription (e.g., long distance carrier, intraLATA toll), Carrier Identification Code (CIC) portability capabilities, testing and other operational features inherent to the switch and switch software. Local Switching provides access to transport, signaling (ISDN User Part (ISUP) and Transaction Capabilities Application Part (TCAP), and platforms such as adjuncts, Public Safety Systems (911), operator services, directory services and Advanced Intelligent Network (AIN). Remote Switching Module functionality is included in the Local Switching function. The switching capabilities used will be based on the line side features they support, where technically feasible. Local Switching will also be capable of routing local



directory assistance and operator services calls to alternative directory assistance and operator services platforms.

4.1.1. Local Switching also includes Data Switching, which provides for ISDN Packet and Circuit Switched Data service, the data switching functionality that is required to connect between industry standard ISDN interfaces. In this case, the purpose of Data Switching is to terminate, concentrate, and switch data traffic from Customer Premises Equipment (CPE) in the digital format consistent with ISDN standards. Data Switching also provides connectivity for the purpose of conveying the customer data to its final destination.

4.2. **Technical Requirements:**

The requirements set forth in this Section 4.2 apply to Local Switching.

4.2.1. GTE shall offer to Sprint unbundled access to all facilities, functions, features and capabilities of its local switches to the extent it is technically feasible. If Sprint requests access to any facility, function, feature or capability of the GTE local switch that is technically feasible but which requires GTE to make modifications to the switch where such modifications are outside the scope of modifications that have been made in the past and are modifications that the manufacturer of the switch does not, and has not supported, GTE shall immediately seek endorsement from the manufacturer of the switch to make such modifications, and shall promptly notify Sprint that GTE has done so within thirty (30) days of receiving Sprint's request. After obtaining the vendor endorsement, GTE shall provide the unbundled access to the facility, function, feature or capability requested by Sprint. Sprint will reimburse GTE for all costs associated with such modification in accordance with section 251(d)(1) of the Act.

4.2.1.1. GTE shall offer Local Switching together with and separately from Data Switching.

4.2.1.2. When applicable, GTE shall route calls to the appropriate trunk or lines for call origination or termination.

4.2.1.3. GTE shall route local directory assistance and operator services calls on a per line or per screening class basis to (1) GTE platforms providing Network Elements or additional requirements, (2) Sprint designated platforms, or (3) third-party platforms.

- 4.2.1.4. GTE shall provide standard recorded announcements as designated by Sprint and call progress tones to alert callers of call progress and disposition.
- 4.2.1.5. GTE shall activate service for an Sprint Customer or network interconnection on any of the Local Switching interfaces. This includes provisioning changes to change a customer from GTE's services to Sprint's services without loss of feature functionality.
- 4.2.1.6. GTE shall perform routine testing (e.g., Mechanized Loop Tests (MLT) and test calls such as 105, 107 and 108 type calls) and fault isolation on a reasonable schedule designated by Sprint.
- 4.2.1.7. GTE shall repair and restore any equipment or any other maintainable component owned by or under the control of GTE that may adversely impact Local Switching.
- 4.2.1.8. GTE shall control congestion points such as those caused by radio station call-ins, and network routing abnormalities, using capabilities such as Automatic Call Gapping, Automatic Congestion Control, and Network Routing Overflow.
- 4.2.1.9. GTE shall perform manual call trace as designated by Sprint and permit customer originated call trace.
- 4.2.1.10. GTE shall record billable events and send the appropriate billing data to Sprint as outlined in Attachment 6.
- 4.2.1.11. For Local Switching used as 911 Tandems, GTE shall allow interconnection from Sprint local switching elements and GTE shall route the calls to the appropriate Public Safety Access Point (PSAP).
- 4.2.1.12. GTE shall provide where the switch is capable, each of the following capabilities:
- 4.2.1.13. Essential Service Lines;
- 4.2.1.14. Telephone service prioritization;
- 4.2.1.15. Telephone Relay Services for handicapped;
- 4.2.1.16. Soft dial tone where required by law; and
- 4.2.1.17. Any other capability required by law.

- 4.2.1.18. GTE shall provide Switching Service Point (SSP) capabilities and signaling software to interconnect the signaling links destined to the Signaling Transfer Point Switch (STPS). In the event that Local Switching is provided out of a switch without SS7 capability, the Tandem shall provide this capability as discussed in the section on Tandem Switching. These capabilities shall adhere to Bellcore specifications - TCAP (GR-1432-CORE), ISUP (GR-905-CORE), Call Management (GR-1429-CORE), Switched Fractional DS1 (GR-1357-CORE), Toll Free Service (GR-1428-CORE), Calling Name (GR-1597-CORE), Line Information Database (GR-954-CORE), and Advanced Intelligent Network (GR-2863-CORE). A further description of AIN is set forth on Sections 4.2.1.26.1 and 4.2.1.26.2 of this Attachment 2.
- 4.2.1.19. GTE shall provide interfaces to adjuncts through industry standard and Bellcore interfaces. These adjuncts can include, but are not limited to, the Service Circuit Node and Automatic Call Distributors. Examples of existing interfaces are ANSI ISDN standards Q.931 and Q.932.
- 4.2.1.20. GTE shall provide performance data regarding a customer line, traffic characteristics or other measurable elements to Sprint to the extent that it provides that information to itself.
- 4.2.1.21. GTE shall offer Local Switching that provides feature offerings at parity to those provided by GTE to itself or any other party. Such feature offerings, where available, shall include but are not limited to:
- 4.2.1.22. Basic and primary rate ISDN;
- 4.2.1.23. Residential features;
- 4.2.1.24. Customer Local Area Signaling Services (CLASS/LASS);
- 4.2.1.25. CENTRANET (including equivalent administrative capabilities, such as customer accessible reconfiguration and detailed message recording); and
- 4.2.1.26. Advanced intelligent network triggers supporting Sprint features. GTE shall offer to Sprint all AIN triggers to the extent technically feasible and currently available to GTE for offering AIN-based services in accordance with the applicable technical references listed in Appendix A to this Attachment 2, under paragraph 3 thereof.

- 4.2.1.26.1. When Sprint utilizes GTE's Local Switching network element and requests GTE to provision such network element with a technically feasible AIN trigger, GTE will provide access to the appropriate AIN Call Related Database for the purpose of invoking either a GTE AIN feature or an AIN feature developed by Sprint through use of GTE's SCE/SMS under Section 11.7 below, provided, however, that GTE is not required to allow SS7 advanced intelligent access from Sprint's SCP to GTE's switch to invoke an Sprint-developed AIN feature, until testing and security concerns regarding the reliability of service to GTE's end users have been addressed, either through industry forums or successful testing.
- 4.2.1.26.2. When Sprint utilizes its own local switch, GTE will provide access to the appropriate AIN Call Related Database for the purpose of invoking either a GTE AIN feature or an AIN feature developed by Sprint through use of GTE's SCE/SMS under 11.7 below, provided, however, that GTE is not required to allow such use until testing and security concerns regarding the reliability of service to GTE's end users have been addressed, either through industry forums or successful testing.
- 4.2.1.27. GTE shall assign each Sprint Customer line the class of service designated by Sprint (e.g., using line class codes or other switch specific provisioning methods), and shall route local directory assistance calls from Sprint Customers to Sprint directory assistance operators at Sprint's option.
- 4.2.1.28. GTE shall assign each Sprint Customer line the class of services designated by Sprint (e.g., using line class codes or other switch specific provisioning methods) and shall route operator calls from Sprint Customer to Sprint operators at Sprint's option. Where technically feasible, GTE shall route local Operator Services calls (0+, 0-) dialed by Sprint Customers directly to the Sprint Local Operator Services platform, unless Sprint requests otherwise pursuant to Section 28.6.1. Such traffic shall be routed over trunk groups specified by Sprint which connect GTE end offices and the Sprint Local Operator Services platform, using standard Operator Services dialing protocols of 0+ or 0-. Where intraLATA presubscription is not available, GTE will provide the functionality and features within its local switch (LS), to route Sprint Customer dialed 0- and 0+ IntraLATA calls to the Sprint designated line or trunk on the Main Distributing Frame (MDF) or Digital Cross Connect (DSX) panel via Modified Operator Services (MOS) Feature Group C signaling. Where IntraLATA presubscription is available, Sprint Customer dialed 0- and 0+ intraLATA calls will be

routed to the intraLATA PIC carrier's designated operator services platform. In all cases, GTE will provide post-dial delay at no greater than that provided by GTE for its end user customers. Sprint shall pay GTE's costs, if any, pursuant to the pricing standards of Section 252(d) of the Act, and in such amounts or levels as determined by the Commission for implementation of such routing.

- 4.2.1.29. If Sprint requests the termination of Local Switching, GTE shall promptly remove the class of service assignment from the line.
- 4.2.1.30. If an Sprint Customer subscribes to Sprint provided voice mail and messaging services, GTE shall redirect incoming calls to the Sprint system based upon presubscribed service arrangements (e.g., busy, don't answer, number of rings). GTE shall provide, where available, the following feature capabilities allowing for voice mail services: SMDI-E (Station Message Desk Interface-Enhanced) or SMDI (Station Message Desk Interface), MWI (Message Waiting Indicator) stutter dialtone and message waiting light feature capabilities; CF-B/DA (Call Forward on Busy/Don't Answer); CF/B (Call Forward on Busy); and CF/DA (Call Forward Don't Answer).
- 4.2.1.31. Local Switching shall be offered in accordance with the requirements of the technical references listed in Appendix A to this Attachment 2, under paragraph 3 thereof.
- 4.2.2. Interface Requirements:
- 4.2.2.1. GTE shall provide the following interfaces (i.e. ports) to loops:
- 4.2.2.2. Standard Tip/Ring interface including loopstart or groundstart, on-hook signaling (e.g., for calling number, calling name and message waiting lamp);
- 4.2.2.3. Coin phone signaling;
- 4.2.2.4. Basic Rate Interface ISDN;
- 4.2.2.5. Two-wire analog interface to PBX;
- 4.2.2.6. Four-wire analog interface to PBX;
- 4.2.2.7. Four-wire DS1 interface to PBX or customer provided equipment (e.g. computers and voice response systems);

- 4.2.2.8. Primary Rate ISDN to PBX;
- 4.2.2.9. Switched Fractional DS1 with capabilities to configure Nx64 channels (where N = 1 to 24); and
- 4.2.2.10. GTE shall provide access to, but not limited to the following:
- 4.2.2.11. SS7 Signaling Network or Multi-Frequency trunking if requested by Sprint;
- 4.2.2.12. Interface to Sprint operator services systems or Operator Services through appropriate trunk interconnections for the system; and
- 4.2.2.13. Interface to Sprint directory assistance services through the Sprint switched network or to Directory Services through the appropriate trunk interconnections for the system; and 950 access or other Sprint required access to interexchange carriers as requested through appropriate trunk interfaces.
- 4.2.2.14. Interfaces to Loops provided under this Agreement shall meet or exceed the applicable interface requirements set forth in the technical references listed in Appendix A to this Attachment 2, under paragraph 4 thereof.

**4.3. Integrated Services Digital Network (ISDN)**

Integrated Services Digital Network (ISDN) is defined in two variations. The first variation is Basic Rate ISDN (BRI). BRI consists of 2 Bearer (B) Channels and one Data (D) Channel. The second variation is Primary Rate ISDN (PRI). PRI consists of 23 B Channels and one D Channel. Both BRI and PRI B Channels may be used for voice, Circuit Switched Data (CSD) or Packet Switched Data (PSD). The BRI D Channel may be used for call related signaling, non-call related signaling or packet switched data. The PRI D Channel may be used for call related signaling.

**4.3.1. Technical Requirements - ISDN**

- 4.3.1.1. Where available, GTE shall offer Data Switching providing ISDN that, at a minimum:
- 4.3.1.2. Provides integrated packet handling capabilities;
- 4.3.1.3. Allows for full 2B+D Channel functionality for BRI; and.
- 4.3.1.4. Allows for full 23B+D Channel functionality for PRI.

- 4.3.1.5. Each B Channel shall allow for voice, 64Kbs CSD, and PSD of 128 logical channels at minimum speeds of 19Kbs throughput of each logical channel up to the total capacity of the B Channel.
- 4.3.1.6. Each B Channel shall provide capabilities for alternate voice and data on a per call basis.
- 4.3.1.7. The BRI D Channel shall allow for call associated signaling, non-call associated signaling and PSD of 16 logical channels at minimum speeds of 9.6 Kbs throughput of each logical channel up to the total capacity of the D channel.
- 4.3.1.8. The PRI D Channel shall allow for call associated signaling.
- 4.3.2. Interface Requirements - ISDN
- 4.3.2.1. GTE shall provide the BRI U interface using 2 wire copper loops.
- 4.3.2.2. GTE shall provide the BRI interface using Digital Subscriber Loops.
- 4.3.2.3. GTE shall offer PSD interfaces.
- 4.3.2.4. GTE shall offer PSD trunk interfaces operating at 56Kbs.
- 4.3.2.5. Interfaces to Loops for ISDN requirements provided under this Agreement shall meet or exceed the applicable interface requirements set forth in the technical references listed in Appendix A to this Attachment 2, under paragraph 5 thereof.

**5. Operator Service**

5.1. [Intentionally Deleted]

5.1.1. Definition.

Operator Service provides where technically feasible: (1) operator handling for call completion (for example, collect, third number billing, and manual credit card calls), (2) operator or automated assistance for billing after the customer has dialed the called number; and (3) special services including Busy Line Verification and Emergency Line Interrupt (ELI), Emergency Agency Call, Operator-assisted Directory Assistance, and Rate Quotes.

5.1.2. Requirements

- 5.1.2.1. Operator Services for calls which are routed from the local switch shall include but not be limited to the following:
- 5.1.2.2. GTE shall complete 0+ and 0- dialed local calls.
- 5.1.2.3. GTE shall complete 0+ and 0- intraLATA toll calls.
- 5.1.2.4. GTE shall complete calls that are billed to a GTE calling card and Sprint shall designate to GTE the acceptable types of special billing.
- 5.1.2.5. GTE shall complete person-to-person calls.
- 5.1.2.6. GTE shall complete collect calls.
- 5.1.2.7. GTE shall provide the capability for callers to bill to a third party and complete such calls.
- 5.1.2.8. GTE shall complete station-to-station calls.
- 5.1.2.9. GTE shall process emergency calls.
- 5.1.2.10. GTE shall process Busy Line Verify and Emergency Line Interrupt requests.
- 5.1.2.11. GTE shall process emergency call trace.
- 5.1.2.12. GTE shall process operator-assisted directory assistance calls.
- 5.1.2.13. GTE shall provide rate quotes and process time-and-charges requests on 0- calls, and shall provide Sprint's rates where technically feasible.
- 5.1.2.14. GTE shall route 0- traffic directly to a "live" operator team.
- 5.1.2.15. Operator Services provided by GTE to Sprint local service customers under this Agreement will be customized for Sprint, where technically feasible, at rates specified in Attachment 14. GTE will perform necessary software upgrades to allow for customized Operator Services on a switch-by-switch basis, subject to capability and capacity limitations.
- 5.1.2.16. GTE shall provide caller assistance for the handicapped at parity with what is provided under GTE's tariff.



- 5.1.2.17. [Intentionally deleted.]
- 5.1.2.18. [Intentionally deleted]
- 5.1.2.19. GTE shall provide notification of the length of call.
- 5.1.2.20. Operator Service shall adhere to equal access requirements consistent with GTE Equal Access Deployment Schedule.
- 5.1.2.21. GTE shall exercise at least the same level of fraud control in providing Operator Service to Sprint that GTE provides for its own operator service.
- 5.1.2.22. GTE shall perform Billed Number Screening when handling Collect, Person-to-Person, and Billed-to-Third-Party calls.
- 5.1.2.23. GTE shall provide to Sprint such service measurements and accounting reports as it prepares to meet Commission requirements.
- 5.1.2.24. GTE shall direct customer inquiries to a single, Sprint-designated customer service center.
- 5.1.2.25. [Intentionally deleted]
- 5.1.2.26. GTE will offer Sprint a level of Operator Services which is at parity with what it provides itself, and, at a minimum, meets all criteria, requirements and guidelines established by the Commission, if any. To the extent that the level of service GTE provides to its own customers exceeds any criterion, requirement or guideline set by the applicable state regulatory commission, GTE shall offer the same level of service to Sprint.
- 5.1.2.27. GTE will make all of its automation and other new technology related to the provision of Operator Services available to Sprint as soon as it is available to GTE. GTE will otherwise make all tariffed Operator Service offerings available to Sprint.

5.2. **Interface Requirements:**  
With respect to Operator Services for calls that originate on local switching capability provided by or on behalf of Sprint, the interface requirements shall conform to the then current established system interface specifications for the platform used to provide Operator Service and the interface shall conform to industry standards.

6. **Directory Assistance Service**

6.1. **Definition:**

Directory Assistance Service is a service that provides telephone number information to local end users that GTE serves on behalf of Sprint who dial 411, 1411 or 555-1212 to obtain directory assistance for local numbers within their NPA.

6.1.1. [Intentionally deleted]

6.2. **Requirements**

6.2.1. GTE shall offer Directory Assistance Service which allows Sprint Customers to obtain two listings at parity with the service provided to GTE's customers in accordance with tariff.

6.2.2. Directory Assistance Service provided by GTE to Sprint local service customers under this Agreement will be customized for Sprint, where technically feasible, at rates specified in Attachment 14. GTE will perform necessary software upgrades to allow for customized Directory Assistance on a switch-by-switch basis, subject to capability and capacity limitations.

6.2.3. GTE Directory Assistance Service will provide optional call completion service to Sprint Customers in areas where call completion denial is available; Call completion services shall be provided at parity with that which GTE provides to its own end users.

6.2.4. GTE shall provide data regarding billable events.

6.2.5. To the extent that GTE provides free call allowances to Directory Assistance to its customers as part of any local service offering, GTE shall provide the same to Sprint for Sprint Customers to whom such local service offerings are resold;

6.2.6. GTE shall ensure that any Directory Assistance information that is provided by ARU shall be repeated twice for Sprint Customers;

6.2.7. GTE Directory Assistance will provide emergency listings and related services to Sprint Customers at service levels equivalent to those provided to GTE customers;

6.2.8. GTE Directory Assistance Services will include a service which intercepts calls placed to an Sprint Customer whose number has been disconnected or changed. GTE shall provide a recorded announcement to (i) notify a calling party that the end user customer has transferred to a new telephone number of Sprint and (ii) provide such calling party with details concerning the new telephone number to be dialed to reach the customer. GTE shall provide such announcement for the same length of time that GTE provides intercept or referral information for its customers that have changed telephone numbers.

6.2.9. GTE shall waive all Directory Assistance charges to Sprint for calls placed by handicapped Sprint Customers, provided however, that in accordance with GTE tariff for such services, Sprint will submit to GTE, at the same time Sprint requests such service, a doctor's letter or other proper certification, certifying that the Sprint customer is qualified to receive such service.

6.2.10. Directory Assistance Service Updates

6.2.10.1. GTE shall update the GTE DA database with Sprint customer listing changes daily. These changes include:

6.2.10.2. New customer connections;

6.2.10.3. Customer disconnections; and

6.2.10.4. Customer changes, including but not limited to name, address and listing status.

6.2.10.5. These updates shall also be provided for non-listed and non-published numbers for use in emergencies.

7. Common Transport

7.1. **Definition:**

Common Transport is an interoffice transmission path between GTE Network Elements that carries the traffic of more than one carrier and is not dedicated to a single carrier. Where GTE Network Elements are connected by intra-office wiring, such wiring is provided as a part of the Network Elements and is not Common Transport. For tandem interconnection, GTE shall provide interoffice transmission for common transport.

**7.2. Technical Requirements**

7.2.1. [Intentionally deleted.]

7.2.2. Common Transport provided on DS1 or VT1.5 circuits, shall, at a minimum, meet the performance, availability, jitter, and delay requirements specified for Central Office to Central Office "CO to CO" connections in the technical reference in Appendix A to this Attachment 2, under paragraph 6 thereof.

7.2.3. Common Transport provided on DS3 circuits, STS-1 circuits, and higher transmission bit rate circuits, Common Transport shall, at a minimum, meet the performance, availability, jitter, and delay requirements specified for Central Office to Central Office "CO to CO" connections in the technical reference set forth in Appendix A to this Attachment 2, under paragraph 6 thereof.

7.2.4. GTE shall be responsible for the engineering, provisioning, and maintenance of the underlying equipment and facilities that are used to provide Common Transport.

7.2.5. At a minimum, Common Transport shall meet all of the requirements set forth in the technical references in Appendix A to this Attachment 2, under paragraph 6 thereof (as applicable for the transport technology being used).

**8. Dedicated Transport**

**8.1. Definition:**

Dedicated Transport is an interoffice transmission path between Sprint designated locations. Such locations may include GTE central offices or other equipment locations, Sprint network components, other carrier network components, or customer premises.

8.1.1. GTE shall offer Dedicated Transport in each of the following ways:

8.1.1.1. As capacity on a shared circuit.

8.1.1.2. As a circuit (e.g., DS1, DS3, STS-1) dedicated to Sprint.

8.1.1.3. As a system (i.e., the equipment and facilities used to provide Dedicated Transport such as SONET ring) dedicated to Sprint.

- 8.1.2. When Dedicated Transport is provided as a circuit or as capacity on a shared circuit, it shall include (as appropriate):
  - 8.1.2.1. Multiplexing functionality;
  - 8.1.2.2. [intentionally deleted]
  - 8.1.2.3. [intentionally deleted]
- 8.1.3. When Dedicated Transport is provided as a system it shall include:
  - 8.1.3.1. Transmission equipment such as multiplexers, line terminating equipment, amplifiers, and regenerators;
  - 8.1.3.2. Inter-office transmission facilities such as optical fiber, copper twisted pair, and coaxial cable. The specific arrangements with respect to dark fiber are covered in this Attachment 2, Section 14, "Unused Transmission Media";
  - 8.1.3.3. Redundant equipment and facilities necessary to support protection and restoration; and,
  - 8.1.3.4. Dedicated Transport includes the Digital Cross-Connect System (DCS) functionality as an option. DCS is described below in Section 8.4.
- 8.2. Technical Requirements**

This Section sets forth technical requirements for all Dedicated Transport.

  - 8.2.1. When GTE provides Dedicated Transport as a circuit or a system, the entire designated transmission circuit or system (e.g., DS1, DS3, STS-1) shall be dedicated to Sprint designated traffic.
  - 8.2.2. GTE shall offer Dedicated Transport in all then currently available technologies including, but not limited to, DS1 and DS3 transport systems, SONET (or SDH) Bi-directional Line Switched Rings, SONET (or SDH) Unidirectional Path Switched Rings, and SONET (or SDH) point-to-point transport systems (including linear add-drop systems), at all available transmission bit rates.
  - 8.2.3. For DS1 or VT1.5 circuits, Dedicated Transport shall, at a minimum, meet the performance, availability, jitter, and delay requirements specified for Customer Interface to Central Office "CI

to CO" connections in the technical references listed in Appendix A to this Attachment 2, at paragraph 2.6 thereof.

- 8.2.4. For DS3 circuits, STS-1 circuits, and higher rate circuits, Dedicated Transport shall, at a minimum, meet the performance, availability, jitter, and delay requirements specified for Customer Interface to Central Office "CI to CO" connections in the technical reference listed in Appendix A to this Attachment 2, at paragraph 2.13 thereof.
- 8.2.5. When requested by Sprint, Dedicated Transport shall provide physical diversity. Physical diversity means that two circuits are provisioned in such a way that no single failure of facilities or equipment will cause a failure on both circuits.
- 8.2.6. When physical diversity is requested by Sprint, GTE shall provide the maximum feasible physical separation between intra-office and inter-office transmission paths (unless otherwise agreed by Sprint).
- 8.2.7. Upon Sprint's request, GTE shall provide Real Time and continuous remote access to performance monitoring and alarm data affecting, or potentially affecting, Sprint's traffic.
- 8.2.8. GTE shall offer the following interface transmission rates for Dedicated Transport:
  - 8.2.8.1. DS1 (Extended SuperFrame - ESF, D4, and unframed applications shall be provided);
  - 8.2.8.2. DS3 (C-bit Parity, M13, and unframed applications shall be provided);
  - 8.2.8.3. SONET standard interface rates in accordance with ANSI T1.105 and ANSI T1.105.07 and physical interfaces per ANSI T1.106.06 (including referenced interfaces). In particular, VT1.5 based STS-1s will be the interface at an Sprint service node.
  - 8.2.8.4. SDH Standard interface rates in accordance with International Telecommunications Union (ITU) Recommendation G.707 and Plesiochronous Digital Hierarchy (PDH) rates per ITU Recommendation G.704.
- 8.2.9. GTE shall provide cross-office wiring up to a suitable Point of Termination (POT) between Dedicated Transport and Sprint

designated equipment. GTE shall provide the following equipment for the physical POT:

- 8.2.9.1. DSX1 for DS1s or VT1.5s;
- 8.2.9.2. DSX3 for DS3s or STS-1s; and
- 8.2.9.3. LGX for optical signals (e.g., OC-3 and OC-12)
- 8.2.10. [Intentionally deleted.]
- 8.2.11. For Dedicated Transport provided as a system, GTE shall design the system (including but not limited to facility routing and termination points and facility routing over existing transport facilities between GTE and a second carrier to carry traffic designated for that carrier) according to Sprint specifications. If Sprint requests higher quality specifications than GTE provides to itself, Sprint shall pay the incremental cost of implementing such higher quality specification.
- 8.2.12. Upon Sprint's request, GTE shall provide Sprint with electronic provisioning control of Dedicated Transport purchased by Sprint and connected to a Digital Cross Connect System (DCS), if the DCS has Customer Network Controller capability.
- 8.2.13. [Intentionally deleted]
- 8.2.14. At a minimum, Dedicated Transport shall meet each of the requirements set forth in Section 7.2 and in the technical references listed in Appendix A to this Attachment 2, under paragraph 7 thereof.
- 8.3. Technical Requirements for Dedicated Transport Using SONET technology.  
  
This Section sets forth additional technical requirements for Dedicated Transport using SONET technology including rings, point-to-point systems, and linear add-drop systems.
- 8.3.1. All SONET Dedicated Transport provided as a system shall:
  - 8.3.1.1. Be synchronized from both a primary and secondary Stratum 1 level timing source. Additional detail on synchronization requirements are given in Section 13.4.

- 8.3.1.2. Provide SONET standard interfaces which properly interwork with SONET standard equipment from other vendors. This includes, but is not limited to, SONET standard Section, Line, and Path performance monitoring, maintenance signals, alarms, and data channels.
- 8.3.1.3. Provide Data Communications Channel (DCC) or equivalent connectivity through the SONET transport system. Dedicated Transport provided over a SONET transport system shall be capable of routing DCC messages between Sprint SONET network components connected to the Dedicated Transport. For example, if Sprint leases a SONET ring from GTE, that ring shall support DCC message routing between Sprint SONET network components connected to the ring.
- 8.3.1.4. Support the following performance requirements for each circuit (STS-1, DS1, DS3, etc.):
  - 8.3.1.4.1. No more than 10 Errored Seconds Per Day (Errored Seconds are defined in the technical reference at Appendix A to this Attachment 2 at paragraph 7.5); and
  - 8.3.1.4.2. No more than 1 Severely Errored Second Per Day (Severely Errored Seconds are defined in the technical references set forth in Appendix A to this Attachment 2, at paragraph 7.5).
- 8.3.2. All SONET rings shall:
  - 8.3.2.1. Be provisioned on physically diverse fiber optic cables (including separate building entrances where available and diversely routed intra-office wiring). "Diversely routed" shall be interpreted as the maximum feasible physical separation between transmission paths, unless otherwise agreed by Sprint.
  - 8.3.2.2. Support dual ring interworking per SONET Standards.
  - 8.3.2.3. Provide the necessary redundancy in optics, electronics, and transmission paths (including intra-office wiring) such that no single failure will cause a service interruption.
  - 8.3.2.4. Provide the ability to disable ring protection switching at Sprint's direction (selective protection lock-out). This requirement applies to line switched rings only.



- 8.3.2.5. Provide the ability to use the protection channels to carry traffic (extra traffic). This requirement applies to line switched rings only.
- 8.3.2.6. Provide 50 millisecond restoration unless a ring protection delay is set to accommodate dual ring interworking schemes.
- 8.3.2.7. Have settable ring protection switching thresholds that shall be set in accordance with Sprint's specifications.
- 8.3.2.8. Provide revertive protection switching with a settable wait to restore delay with a default setting of 5 minutes. This requirement applies to line switched rings only.
- 8.3.2.9. Provide non-revertive protection switching. This requirement applies to path switched rings only.
- 8.3.2.10. Adhere to the following availability requirements, where availability is defined in the technical reference listed in Appendix A to this Attachment 2, at paragraph 7.5 thereof.
  - 8.3.2.10.1. No more than 0.25 minutes of unavailability month; and
  - 8.3.2.10.2. No more than 0.5 minutes of unavailability per year.

#### **8.4. Digital Cross-Connect System (DCS)**

##### **8.4.1. Definition:**

- 8.4.1.1. DCS is a function which provides automated cross connection of Digital Signal level 0 (DS0) or higher transmission bit rate digital channels within physical interface facilities. Types of DCSs include but are not limited to DCS 1/0s, DCS 3/1s, and DCS 3/3s, where the nomenclature 1/0 denotes interfaces typically at the DS1 rate or greater with cross-connection typically at the DS0 rate. This same nomenclature, at the appropriate rate substitution, extends to the other types of DCSs specifically cited as 3/1 and 3/3. Types of DCSs that cross-connect Synchronous Transport Signal level 1 (STS-1s) or other Synchronous Optical Network (SONET) signals (e.g., STS-3) are also DCSs, although not denoted by this same type of nomenclature. DCS may provide the functionality of more than one of the aforementioned DCS types (e.g., DCS 3/3/1 which combines functionality of DCS 3/3 and DCS 3/1). For such DCSs, the requirements will be, at least, the aggregation of requirements on the "component" DCSs.

- 8.4.1.2. In locations where automated cross connection capability does not exist, DCS will be defined as the combination of the functionality provided by a Digital Signal Cross-Connect (DSX) or Light Guide Cross-Connect (LGX) patch panels and D4 channel banks or other DS0 and above multiplexing equipment used to provide the function of a manual cross connection.
- 8.4.1.3. Interconnection between a DSX or LGX, to a switch, another cross-connect, or other service platform device, is included as part of DCS.
- 8.5. DCS Technical Requirements
  - 8.5.1. DCS shall provide completed end-to-end cross connection of the channels designated by Sprint.
  - 8.5.2. DCS shall perform facility grooming, multipoint bridging, one-way broadcast, two-way broadcast, and facility test functions.
  - 8.5.3. DCS shall provide multiplexing, format conversion, signaling conversion, or other functions.
  - 8.5.4. The end-to-end cross connection assignment shall be input to the underlying device used to provide DCS from an operator at a terminal or via an intermediate system. The cross connection assignment shall remain in effect whether or not the circuit is in use.
  - 8.5.5. GTE shall continue to administer and maintain DCS, including updates to the control software to current available releases.
  - 8.5.6. GTE shall provide various types of Digital Cross-Connect Systems including:
    - 8.5.6.1. DS0 cross-connects (typically termed DCS 1/0);
    - 8.5.6.2. DS1/VT1.5 (Virtual Tributaries at the 1.5Mbps rate) cross-connects (typically termed DCS 3/1);
    - 8.5.6.3. DS3 cross-connects (typically termed DCS 3/3);
    - 8.5.6.4. STS-1 cross-connects; and
    - 8.5.6.5. Other technically feasible cross-connects designated by Sprint.

- 8.5.7. GTE shall provide immediate and continuous configuration and reconfiguration of the channels between the physical interfaces (i.e., GTE shall establish the processes to implement cross connects on demand, or, at Sprint's option, permit Sprint control of such configurations and reconfigurations).
- 8.5.8. GTE shall provide scheduled configuration and reconfiguration of the channels between the physical interfaces (i.e., GTE shall establish the processes to implement cross connects on the schedule designated by Sprint, or, at Sprint's option, permit Sprint to control such configurations and reconfigurations).
- 8.5.9. DCS shall continuously monitor protected circuit packs and redundant common equipment.
- 8.5.10. DCS shall automatically switch to a protection circuit pack on detection of a failure or degradation of normal operation.
- 8.5.11. The underlying equipment used to provide DCS shall be equipped with a redundant power supply or a battery back-up.
- 8.5.12. GTE shall make available to Sprint spare facilities and equipment, at Sprint's expense to the extent such costs are not included in the cost of the unbundled network element, necessary for provisioning repairs, and to meet Sprint's Direct Measures Of Quality (DMOQs) as specified in the Provisioning and Maintenance sections.
- 8.5.13. At Sprint's option, GTE shall provide Sprint with Real Time performance monitoring and alarm data on the signals and the components of the underlying equipment used to provide DCS that actually impact or might impact Sprint's services. GTE will need to establish processes that allow GTE to provide these capabilities to Sprint. For example, this may include hardware alarm data and facility alarm data on a DS3 in which a Sprint DS1 is traversing.
- 8.5.14. At Sprint's option, GTE shall provide Sprint with Real Time ability to initiate tests on integrated equipment used to test the signals and the underlying equipment used to provide DCS, as well as other integrated functionality for routine testing and fault isolation.
- 8.5.15. DCS shall provide SONET to asynchronous gateway functionality (e.g., STS-1 to DS1 or STS-1 to DS3).
- 8.5.16. DCS shall perform optical to electrical conversion where the underlying equipment used to provide DCS contains optical

interfaces or terminations (e.g., Optical Carrier level 3, i.e., OC-3, interfaces on a DCS 3/1).

- 8.5.17. DCS shall have SONET ring terminal functionality where the underlying equipment used to provide DCS acts as a terminal on a SONET ring.
- 8.5.18. DCS shall provide multipoint bridging of multiple channels to other DCSs. Sprint may designate multipoint bridging to be one-way broadcast from a single master to multiple tributaries, or two-way broadcast between a single master and multiple tributaries.
- 8.5.19. DCS shall multiplex lower speed channels onto a higher speed interface and demultiplex higher speed channels onto lower speed interfaces as designated by Sprint.

## **8.6. DCS Interface Requirements**

- 8.6.1. GTE shall provide physical interfaces on DS0, DS1, and VT1.5 channel cross-connect devices at the DS1 rate or higher. In all such cases, these interfaces shall be in compliance with applicable Bellcore, ANSI, ITU, and Sprint standards.
- 8.6.2. GTE shall provide physical interfaces on DS3 channel cross-connect devices at the DS3 rate or higher. In all such cases, these interfaces shall be in compliance with applicable Bellcore, ANSI, ITU, and Sprint standards.
- 8.6.3. GTE shall provide physical interfaces on STS-1 cross-connect devices at the OC-3 rate or higher. In all such cases, these interfaces shall be in compliance with applicable Bellcore, ANSI, ITU, and Sprint standards.
- 8.6.4. Interfaces on all other cross-connect devices shall be in compliance with applicable Bellcore, ANSI, ITU, and Sprint standards.
- 8.6.5. DCS shall, at a minimum, meet all the requirements set forth in the technical references listed in Appendix A to this Attachment 12, under paragraph 8 thereof.

## **9. Signaling Link Transport**

### **9.1. Definition:**

Signaling Link Transport is a set of two or four dedicated 56 Kbps. transmission paths between Sprint-designated Signaling Points of Interconnection (SPOI) that provides appropriate physical diversity.

**9.2. Technical Requirements**

Signaling Link Transport shall consist of full duplex mode 56 kbps transmission paths.

9.3. Of the various options available, Signaling Link Transport shall perform in the following two ways:

9.3.1. As an "A-link" which is a connection between a switch and a home Signaling Transfer Point Switch (STPS) pair; and

9.3.2. As a "D-link" which is a connection between two STPS pairs in different company networks (e.g., between two STPS pairs for two Competitive Local Exchange Carriers (CLECs)).

9.4. Signaling Link Transport shall consist of two or more signaling link layers as follows:

9.4.1. An A-link layer shall consist of two links.

9.4.2. A D-link layer shall consist of four links.

9.4.3. A signaling link layer shall satisfy a performance objective such that:

9.4.3.1. There shall be no more than two minutes down time per year for an A-link layer; and

9.4.3.2. There shall be negligible (less than 2 seconds) down time per year for a D-link layer.

9.4.4. A signaling link layer shall satisfy interoffice and intraoffice diversity of facilities and equipment, such that:

9.4.5. No single failure of facilities or equipment causes the failure of both links in an A-link layer; and

9.4.6. No two concurrent failures of facilities or equipment shall cause the failure of all four links in a D-link layer.

**9.5. Interface Requirements**

- 9.5.1. There shall be a dedicated DS1 (1.544 Mbps) interface at the Sprint-designated SPOIs. Each 56 kbps transmission path shall appear as a DS0 channel within the DS1 interface.

**10. Signaling Transfer Points (STPs)**

- 10.1. **Definition:** Signaling Transfer Points is a signaling network function that includes all of the capabilities provided by the signaling transfer point switches (STPs) and their associated signaling links which enable the exchange of SS7 messages among and between switching elements, database elements and signaling transfer point switches.

**10.2. Technical Requirements**

- 10.2.1. STPs shall provide access to all other Network Elements connected to the GTE SS7 network. These include:

10.2.1.1. GTE Local Switching or Tandem Switching;

10.2.1.2. GTE Service Control Points/DataBases;

10.2.1.3. Third-party local or tandem switching systems; and

10.2.1.4. Third-party-provided STPs.

- 10.2.2. The connectivity provided by STPs shall fully support the functions of all other Network Elements connected to the GTE SS7 network. This explicitly includes the use of the GTE SS7 network to convey messages which neither originate nor terminate at a signaling end point directly connected to the GTE SS7 network (i.e., transient messages). When the GTE SS7 network is used to convey transient messages, there shall be no alteration of the Integrated Services Digital Network User Part (ISDNUP) or Transaction Capabilities Application Part (TCAP) user data that constitutes the content of the message.

- 10.2.3. If a GTE tandem switch routes calling traffic, based on dialed or translated digits, on SS7 trunks between an Sprint local switch and third party local switch, the GTE SS7 network shall convey the TCAP messages that are necessary to provide Call Management features (Automatic Callback, Automatic Recall, and Screening List Editing) between the Sprint local STPs and the STPs that provide connectivity with the third party local switch, even if the third party local switch is not directly connected to the GTE STPs.

- 10.2.4. STPs shall provide all functions of the SCCP necessary for Class 0 (basic connectionless) service. In cases where the destination signaling point is a GTE local or tandem switching system or data base, or is an Sprint or third party local or tandem switching system directly connected to the GTE SS7 network, STPs shall perform final GTT of messages to the destination and SCCP Subsystem Management of the destination. In all other cases, STPs shall perform intermediate GTT of messages to a gateway pair of STPs in an SS7 network connected with the GTE SS7 network, and shall not perform SCCP Subsystem Management of the destination.
- 10.2.5. When such capability is deployed in the GTE network, STPs shall provide all functions of the OMAP commonly provided by STPs, as specified in the reference set forth in Appendix A to this Attachment 2, at paragraph 9.5. This includes:
- 10.2.5.1. MTP Routing Verification Test (MRVT); and,
- 10.2.5.2. SCCP Routing Verification Test (SRVT).
- 10.2.6. This Section 10.2.8 applies when such capabilities are deployed in the GTE network. In cases where the destination signaling point is a GTE local or tandem switching system or DB, or is an Sprint or third party local or tandem switching system directly connected to the GTE SS7 network, STPs shall perform MRVT and SRVT to the destination signaling point. In all other cases, STPs shall perform MRVT and SRVT to a gateway pair of STPs in an SS7 network connected with the GTE SS7 network. This requirement shall be superseded by the specifications for Internetwork MRVT and SRVT if and when these become approved ANSI standards and available capabilities of GTE STPs.
- 10.2.7. Sprint and GTE agree to participate in the industry IN Forum "Interconnection and Access Group" project to address interconnection requirements for multiple third party AIN SCP access to GTE's switch triggers. Sprint and GTE recognize that actual commencement of tests under this project will be determined by all participants in the project.

### **10.3. Interface Requirements**

- 10.3.1. GTE shall provide the following STPs options to connect Sprint or Sprint-designated local switching systems or STPs to the GTE SS7 network:

- 10.3.1.1. An A-link interface from Sprint local switching systems; and,
- 10.3.1.2. A D-link interface from Sprint local STPSs.
- 10.3.2. Each type of interface shall be provided by one or more sets (layers) of signaling links, as follows:
  - 10.3.2.1. An A-link layer shall consist of two links.
  - 10.3.2.2. A D-link layer shall consist of four links.
- 10.3.3. The Signaling Point of Interconnection (SPOI) for each link shall be located at a cross-connect element, such as a DSX-1, in the Central Office (CO) where the GTE STPS is located. There shall be a DS1 or higher rate transport interface at each of the SPOIs. Each signaling link shall appear as a DS0 channel within the DS1 or higher rate interface. GTE shall offer higher rate DS1 signaling for interconnecting Sprint local switching systems or STPSs with GTE STPSs as soon as these become approved ANSI standards and available capabilities of GTE STPs.
- 10.3.4. GTE shall provide intraoffice diversity between the SPOIs and the GTE STPS, so that no single failure of intraoffice facilities or equipment shall cause the failure of both D-links in a layer connecting to a GTE STPS.
- 10.4. Message Screening**
  - 10.4.1. GTE shall set message screening parameters so as to accept messages from Sprint local or tandem switching systems destined to any signaling point in the GTE SS7 network with which the Sprint switching system has a legitimate signaling relation.
  - 10.4.2. GTE shall set message screening parameters so as to accept messages from Sprint local or tandem switching systems destined to any signaling point or network interconnected within the GTE SS7 network with which the Sprint switching system has a legitimate signaling relation.
  - 10.4.3. GTE shall set message screening parameters so as to accept messages destined to an Sprint local or tandem switching system from any signaling point or network interconnected within the GTE SS7 network with which the Sprint switching system has a legitimate signaling relation.



10.4.4. GTE shall set message screening parameters so as to accept and send messages destined to an Sprint SCP from any signaling point or network interconnected within the GTE SS7 network with which the Sprint SCP has a legitimate signaling relation.

10.5. STPs shall meet or exceed the requirements for STPs set forth in the technical references listed in Appendix A to this Attachment 2, under paragraph 9 thereof.

**11. Service Control Points/Databases**

**11.1. Definition:**

Databases are the Network Elements that provide the functionality for storage of, access to, and manipulation of information required to offer a particular service and/or capability.

11.1.1. A Service Control Point (SCP) is a specific type of Database Network Element functionality deployed in a Signaling System 7 (SS7) network that executes service application logic in response to SS7 queries sent to it by a switching system also connected to the SS7 network. SCPs also provide operational interfaces to allow for provisioning, administration and maintenance of subscriber data and service application data. (e.g., an 800 database stores customer record data that provides information necessary to route 800 calls).

**11.2. Technical Requirements for SCPs/Databases**

Requirements for SCPs/Databases within this section address storage of information, access to information (e.g. signaling protocols, response times), and administration of information (e.g., provisioning, administration, and maintenance). All SCPs/Databases shall be provided to Sprint in accordance with the following requirements, except where such a requirement is superseded by specific requirements set forth in Sections 11.3 to 11.7.

11.2.1. GTE shall make available physical interconnection to SCPs through the SS7 network and protocols, as specified in Section 10 of this Attachment, with TCAP as the application layer protocol.

11.2.2. Except for GTE's directory assistance databases, GTE shall provide physical interconnection to databases via industry standard interfaces and protocols. GTE will provide Sprint with copies of its directory assistance databases on magnetic tape. GTE will also

provide to Sprint daily updates to its directory assistance databases on magnetic tape. Sprint and GTE shall agree on the type of magnetic tape, the format of the data on the tapes, the locations for delivery of the tapes, and all other implementation issues that the parties need to be resolved within ten days of the Effective Date of this Agreement. If the parties fail to reach agreement pursuant to this Section, the parties will submit the disputed issues to the alternative dispute resolution process as set forth in this Agreement.

- 11.2.3. The reliability of interconnection options shall be consistent with requirements for diversity and survivability as specified in Section 10 of this Attachment (which applies to both SS7 and non-SS7 interfaces).
- 11.2.4. [Intentionally deleted.]
- 11.2.5. GTE shall provide Database provisioning consistent with the provisioning requirements of this Agreement (e.g., data required, edits, acknowledgments, data format and transmission medium and notification of order completion).
- 11.2.6. GTE shall provide Database maintenance consistent with the maintenance requirements as specified in this Agreement.
- 11.2.7. GTE shall provide billing and recording information to track database usage consistent with connectivity billing and recording requirements as specified in this Agreement.
- 11.2.8. GTE shall provide SCPs/Databases in accordance with the physical security requirements specified in this Agreement.
- 11.2.9. GTE shall provide SCPs/Databases in accordance with the logical security requirements specified in this Agreement.

**11.3. Line Information Database (LIDB).**

This Subsection defines and sets forth additional requirements for the Line Information Database.

**11.3.1. Definition:**

The Line Information Database (LIDB) is a transaction-oriented database accessible through Common Channel Signaling (CCS)

networks. It contains records associated with customer Line Numbers and Special Billing Numbers (in accordance with the requirements set forth in the technical reference listed in Appendix A to this Attachment 2, at paragraph 10.5.). LIDB accepts queries from other Network Elements and provides appropriate responses.

The query originator need not be the owner of LIDB data. LIDB queries include functions such as screening billed numbers that provides the ability to accept Collect or Third Number Billing calls and validation of Telephone Line Number based non-proprietary calling cards. The interface for the LIDB functionality is the interface between the GTE CCS network and other CCS networks.

LIDB also interfaces to administrative systems. The administrative system interface provides Work Centers with an interface to LIDB for functions such as provisioning, auditing of data, access to LIDB measurements and reports.

11.3.2. Technical Requirements

- 11.3.2.1. Prior to the availability of a long-term solution for Local Number Portability, GTE shall enable Sprint to store in GTE's LIDB any customer Line Number or Special Billing Number record, for which the NPA-NXX or NXX-0/1XX Group is supported by that LIDB.
- 11.3.2.2. Prior to the availability of a long-term solution for Local Number Portability, GTE shall enable Sprint to store in GTE's LIDB any customer Line Number or Special Billing Number record, and NPA-NXX and NXX-0/1XX Group Records, belonging to an NPA-NXX or NXX-0/1XX owned by Sprint.
- 11.3.2.3. Subsequent to the availability of a long-term solution for Local Number Portability, GTE shall enable Sprint to store in GTE's LIDB any customer Line Number or Special Billing Number record, regardless of the number's NPA-NXX or NXX-0/1XX.
- 11.3.2.4. GTE shall perform the following LIDB functions for Sprint's customer records in LIDB:
  - 11.3.2.4.1. Billed Number Screening (provides information such as whether the Billed Number may accept Collect or Third Number Billing calls); and
  - 11.3.2.4.2. Calling Card Validation
- 11.3.2.5. GTE shall process Sprint's customer records in LIDB at least at parity with GTE customer records. With respect to other LIDB

functions, GTE shall indicate to Sprint what additional functions (if any) are performed by LIDB in their network.

- 11.3.2.6. Within two (2) weeks after a request by Sprint, GTE shall provide Sprint with a list of the customer data items which Sprint would have to provide in order to support each required LIDB function. The list shall indicate which data items are essential to LIDB function, and which are required only to support certain services. For each data item, the list shall show the data formats, the acceptable values of the data item and the meaning of those values.
- 11.3.2.7. [Intentionally deleted.]
- 11.3.2.8. [Intentionally deleted.]
- 11.3.2.9. [Intentionally deleted.]
- 11.3.2.10. GTE shall make changes to NPA-NXX and NXX-0/1XX Group Records, and Line Number and Special Billing Number Records associated with Sprint Customer, as requested by Sprint, within time frames at parity with those time frames in which GTE makes such changes for its own or any other carrier's customers.
- 11.3.2.11. In the event that end user customers change their local service provider, GTE shall maintain customer data (for line numbers, card numbers, and for any other types of data maintained in LIDB excluding GTE-issued line based calling card numbers) so that such customers shall not experience any interruption of service due to the lack of such maintenance of customer data.
- 11.3.2.12. All additions, updates and deletions of Sprint data to the LIDB shall be solely at the direction of Sprint.
- 11.3.2.13. GTE shall provide priority updates to LIDB for Sprint data upon Sprint's request (e.g., to support fraud protection).
- 11.3.2.14. [Intentionally deleted.]
- 11.3.2.15. GTE shall perform backup and recovery of all of Sprint's data in LIDB as frequently as Sprint may reasonably specify, including sending to LIDB all changes made since the date of the most recent backup copy.

- 11.3.2.16. GTE shall provide to Sprint access to LIDB measurements and reports at least at parity with the capability GTE has for its own customer records and that GTE provides to any other party.
- 11.3.2.17. GTE shall provide Sprint with LIDB reports of data which are missing or contain errors, as well as any misroute errors, within the time period reasonably designated by Sprint.
- 11.3.2.18. GTE shall prevent any access to or use of Sprint data in LIDB by GTE personnel or by any other party that is not authorized by Sprint in writing.
- 11.3.2.19. Where technically feasible and currently available, GTE shall provide Sprint performance of the LIDB Data Screening function, which allows a LIDB to completely or partially deny specific query originators access to LIDB data owned by specific data owners, (in accordance with the technical reference listed in Appendix A to this Attachment 2, at paragraph 10.5.) for Customer Data that is part of an NPA-NXX or NXX-0/1XX wholly or partially owned by Sprint at least at parity with GTE Customer Data. Sprint will provide GTE the screening information associated with LIDB Data Screening of Sprint data in accordance with this requirement.
- 11.3.2.20. GTE shall accept queries to LIDB associated with Sprint Customer records, and shall return responses in accordance with the requirements of this Section 11.
- 11.3.2.21. [Intentionally deleted.]
- 11.3.2.22. [Intentionally deleted.]
- 11.3.2.23. [Intentionally deleted.]
- 11.3.2.24. [Intentionally deleted.]
- 11.3.2.24.1. [Intentionally deleted.]
- 11.3.2.24.2. [Intentionally deleted.]
- 11.3.2.24.3. [Intentionally deleted.]
- 11.3.2.24.4. [Intentionally deleted.]
- 11.3.2.24.5. [Intentionally deleted.]

11.3.2.24.6. [Intentionally deleted.]

11.3.2.24.6.1. [Intentionally deleted.]

11.3.2.24.6.2. [Intentionally deleted.]

11.3.2.24.6.3. [Intentionally deleted.]

11.3.3. **LIDB Interface Requirements.**

GTE shall offer LIDB in accordance with the requirements of this Subsection.

11.3.3.1. The interface to LIDB shall be in accordance with the technical reference listed in Appendix A to this Attachment 2, at paragraph 10.3.

11.3.3.2. The CCS interface to LIDB shall be the standard interface listed in Appendix A to this Attachment 2, at paragraph 10.3.

11.3.3.3. The LIDB Data Base interpretation of the ANSI-TCAP messages shall comply with the technical reference listed in Appendix A to this Attachment 2, at paragraph 10.4. Global Title Translation shall be maintained in the signaling network in order to support signaling network routing to the LIDB.

11.4. **Toll Free Number Database**

The Toll Free Number Database is a SCP that provides functionality necessary for toll free (e.g., 800 and 888) number services by providing routing information and additional so-called vertical features during call set-up in response to queries from SSPs. GTE shall provide the Toll Free Number Database in accordance with the following:

11.4.1. **Technical Requirements**

11.4.1.1. GTE shall make the GTE Toll Free Number Database available for Sprint to query with a toll-free number and originating information.

11.4.1.2. The Toll Free Number Database shall return carrier identification and, where applicable, the queried toll free number, translated

numbers and instructions as it would in response to a query from a GTE switch.

11.4.2.            Signaling Interface Requirements

The signaling interface between the Sprint or other local switch and the Toll-Free Number database shall use the TCAP protocol as specified in the technical reference listed in Appendix A to this Attachment 2, at paragraph 10.1, together with the signaling network interface as specified in the technical reference listed in Appendix A to this Attachment 2, at paragraphs 10.2. and 10.6.

11.5.            **Automatic Location Identification/Data Management System (ALI/DMS)**

11.5.1.            The ALI/DMS Database contains customer information (including name, address, telephone information, and sometimes special information from the local service provider or customer) used to determine to which Public Safety Answering Point (PSAP) to route the call. The ALI/DMS database is used to provide more routing flexibility for E911 calls than Basic 911.

11.6.            **Technical Requirements**

11.6.1.            GTE shall provide the Emergency Services Data Base in accordance with the following: GTE shall offer Sprint a data link to the ALI/DMS database or permit Sprint to provide its own data link to the ALI/DMS database. GTE shall provide error reports from the ALI/DMS data base to Sprint immediately after Sprint inputs information into the ALI/DMS data base. Alternately, Sprint may utilize GTE to enter customer information into the data base on a demand basis, and validate customer information on a demand basis.

11.6.2.            The ALI/DMS database shall contain the following customer information:

11.6.2.1.            Name;

11.6.2.2.            Address;

11.6.2.3.            Telephone number; and

- 11.6.2.4. Other information as appropriate (e.g., whether a customer is blind or deaf or has another disability).
- 11.6.2.5. When GTE is responsible for administering the ALI/DMS database in its entirety, ported number NXXs entries for the ported numbers should be maintained unless Sprint requests otherwise and shall be updated if Sprint requests.
- 11.6.2.6. When Remote Call Forwarding (RCF) is used to provide number portability to the local customer and a remark or other appropriate field information is available in the database, the shadow or "forwarded-to" number and an indication that the number is ported shall be added to the customer record.
- 11.6.2.7. If GTE is responsible for configuring PSAP features (for cases when the PSAP or GTE supports an ISDN interface) it shall ensure that CLASS Automatic Recall (Call Return) is not used to call back to the ported number.
- 11.6.2.8. [Intentionally deleted.]
- 11.6.3. SCPs/Databases shall meet or exceed the requirements for SCPs/Databases set forth in the technical references listed in Appendix A to this Attachment 2, under paragraph 10.
- 11.7. Service Creation Environment and Service Management System (SCE/SMS) Advanced Intelligent Network (AIN) Access
  - 11.7.1. Advanced Intelligent Network (AIN) Database. Sprint shall have the right to obtain access to and to use GTE's service applications in the GTE SMS in addition to Sprint's own service applications that Sprint deploys via the GTE SMS to the GTE SCP, as required below. Sprint may use and access such service applications either through Sprint Switch(es) to the GTE AIN SCP via interconnection of the GTE SS7 and Sprint SS7 networks or through its purchase of unbundled elements, including local switching, from GTE. When Sprint obtains access to GTE's service applications using an Sprint switch, this interconnection arrangement shall result in the GTE AIN SCP recognizing the Sprint Switch as at least at parity with GTE's Local Switch in terms of interfaces, performance and capabilities.
    - 11.7.1.1. GTE STPs shall maintain global title translations necessary to direct AIN queries for select global title address and translation

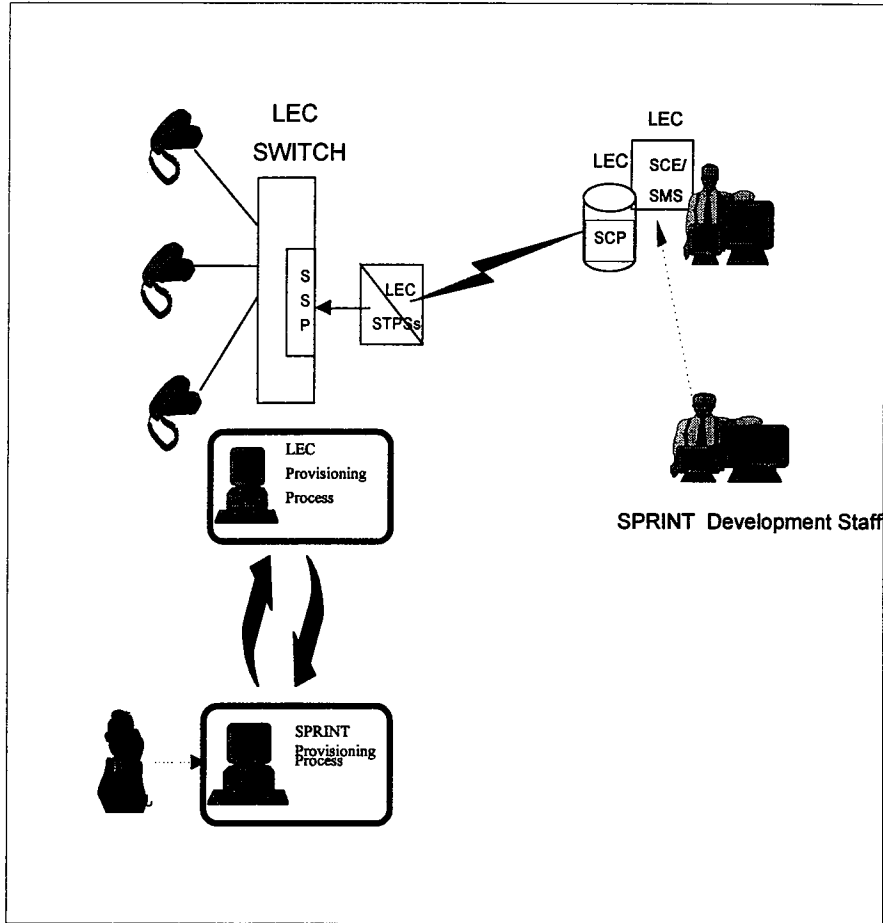


type values to and from the Sprint SS7 network, within the global title translation capacity to the STP.

- 11.7.1.2. Requirements for billing and recording information to track AIN query-response usage shall be consistent with Connectivity Billing and Recording requirements as specified in Attachment 6 (e.g., recorded message format and content, timeliness of feed, data format and transmission medium).
- 11.7.1.3. GTE shall provide to Sprint all necessary testing resources and staff to perform service certification testing prior to service deployment in accordance with the Cooperative Testing section of this Agreement provided that Sprint shall reimburse GTE for the cost of providing such resources.
- 11.7.1.4. [Intentionally deleted]
- 11.7.1.5. When Sprint selects SS7 Access, GTE will provide interconnection of its SS7 network per Section 10 of this Attachment 10 with Sprint's SS7 network for exchange of AIN TCAP messages between Sprint's SSP and GTE's AIN SCP.
- 11.7.1.6. STPs shall offer SS7 AIN Access in accordance with the requirements of the technical references listed in Appendix A to this Attachment 2, under paragraph 11.
- 11.7.2. SCE/SMS AIN Access shall provide Sprint the ability to create service applications in the GTE SCE and deploy those applications via the GTE SMS to the GTE SCP. This interconnection arrangement shall provide Sprint access to the GTE development environment and administrative system in a manner at least at parity with GTE's ability to deliver its own AIN-based services, subject to reasonable security arrangements. SCE/SMS AIN Access is the development of service applications within the GTE Service Creation Environment, and deployment of service applications via the GTE Service Management System. Sprint requests to use the GTE SCE will be subject to request, review and testing procedures to be agreed upon by the Parties. See Figure 2 below.

FIGURE 2

Figure 2



- 11.7.2.1. GTE shall make SCE hardware, software, testing and technical support (e.g., technical contacts, system administrator) resources available to Sprint. Scheduling of SCE resources shall allow Sprint at least equal priority to GTE provided that Sprint shall reimburse GTE for the cost of providing such resources.
- 11.7.2.2. The GTE SCE/SMS shall allow for multi-user access with proper source code management and other logical security functions as specified in the Security section of this Agreement.
- 11.7.2.3. The GTE SCP shall partition and protect Sprint service logic and data from unauthorized access, execution or other types of compromise.
- 11.7.2.4. GTE shall provide training and documentation for Sprint development staff only in cases in which such training or documentation is not reasonably available from another source. If training or documentation is required in accordance with this section, it will be provided in a manner at least at parity with that provided by GTE to its development staff. Training will be conducted at a mutually agreed upon location provided that Sprint shall reimburse GTE for the cost of providing such resources.
- 11.7.2.5. When Sprint selects SCE/SMS AIN Access, GTE shall provide for a secure, controlled access environment on-site, and, if technically feasible, via remote data connections (e.g., dial up, LAN, WAN).

- 11.7.2.6. When Sprint selects SCE/SMS AIN Access, GTE shall allow Sprint to download data forms and/or tables to GTE SCP via GTE SMS without intervention from GTE (e.g., customer subscription).
- 11.7.2.7. Service Control Points (SCP)/Databases shall offer SCE/SMS AIN Access in accordance with requirements of GR-1280-CORE, AIN SCP Generic Requirements.
- 11.7.3. Any mediation to GTE's AIN database that GTE decides to apply, including the application of network management controls determined by GTE to be necessary to protect the SCP from an overload condition, will be done in a competitively neutral and nondiscriminatory basis for all users of the AIN database, including GTE and its customers. For example, any load mediation will affect all links to the STP, including those of GTE or its customers, in a like manner. Sprint agrees to provide forecast information of its AIN requirements sufficient to permit GTE to engineer sufficient capacity on GTE's AIN SCP platform.

**12. Tandem Switching**

**12.1. Definition:**

Tandem Switching is the function that establishes a communications path between two switching offices through a third switching office (the tandem switch).

**12.2. Technical Requirements**

Tandem switching shall provide the following capabilities, where technically feasible:

- 12.2.1. Signaling to establish a tandem connection;
- 12.2.2. Screening and routing;
- 12.2.3. Recording of all billable events;
- 12.2.4. Connectivity to Operator Systems;
- 12.2.5. **Access to Toll Free number portability database;**
- 12.2.6. Tandem Switching shall provide all trunk interconnections discussed under the "Network Interconnection" section (e.g., SS7, MF, DTMF, DialPulse, PRI-ISDN, DID, and CAMA-ANI (if appropriate for 911));
- 12.2.7. Tandem Switching shall provide connectivity to PSAPs where 911 solutions are deployed and the tandem is used for 911; and
- 12.2.8. Tandem Switching shall provide connectivity to transit traffic to and from other carriers.
- 12.2.9. Tandem Switching shall accept connections (including the necessary signaling and trunking interconnections) between end offices, other tandems, IECs, ICOs, CAPs and CLEC switches.
- 12.2.10. Tandem Switching shall provide local tandeming functionality between two end offices including two offices belonging to different CLEC's (e.g., between an Sprint end office and the end office of another CLEC).
- 12.2.11. Tandem Switching shall preserve CLASS/LASS features and Caller ID as traffic is processed. Additional signaling information and requirements are provided in Section 10.
- 12.2.12. Tandem Switching shall record billable events and send them to the area billing centers designated by Sprint. Billing requirements are specified in Attachment 6 of this Agreement.
- 12.2.13. GTE shall perform routine testing and fault isolation on the underlying switch that is providing Tandem Switching and all its interconnections. When requested by Sprint, the results and reports of the testing shall be made available to Sprint. If Sprint requests testing and fault isolation which GTE does not provide for itself, Sprint shall pay all costs associated therewith to the extent

that such costs are not otherwise included in the cost of the element.

- 12.2.14. GTE shall maintain Sprint's trunks and interconnections associated with Tandem Switching at least at parity to its own trunks and interconnections.
- 12.2.15. When requested by Sprint, GTE shall provide performance data regarding traffic characteristics or other measurable elements to Sprint for review.
- 12.2.16. Tandem Switching shall control congestion using capabilities such as Automatic Congestion Control and Network Routing Overflow. Congestion control provided or imposed on Sprint traffic shall be at parity with controls being provided or imposed on GTE traffic (e.g., GTE shall not block Sprint traffic and leave its traffic unaffected or less affected).
- 12.2.17. Tandem Switching shall route calls to GTE or Sprint endpoints or platforms (e.g., operator services and PSAPs) on a per call basis as designated by Sprint. Sprint shall pay all costs associated therewith to the extent that such costs are not otherwise included in the cost of the element. Detailed primary and overflow routing plans for all interfaces available within the GTE switching network shall be mutually agreed to by Sprint and GTE. Such plans shall meet Sprint requirements for routing calls through the local network.
- 12.2.18. Tandem Switching shall process originating toll-free traffic received from an Sprint local switch.
- 12.2.19. The Local Switching and Tandem Switching functions may be combined in an office. If this is done, both Local Switching and Tandem Switching shall provide all of the functionality required of each of those Network Elements in this Agreement.

**12.3. Interface Requirements**

- 12.3.1. Tandem Switching shall provide interconnection to the E911 PSAP where the underlying Tandem is acting as the E911 Tandem.
- 12.3.2. Tandem Switching shall interconnect, with direct trunks, to all carriers with which GTE interconnects.

- 12.3.3. GTE shall provide all signaling necessary to provide Tandem Switching with no loss of feature functionality.
- 12.3.4. Tandem Switching shall interconnect with Sprint's switch, using two-way trunks, for traffic that is transiting via the GTE network to interLATA or intraLATA carriers GTE shall record tandem switching events necessary for GTE to bill Sprint for tandem switching and any applicable transport. =
- 12.3.5. At Sprint's request, Tandem Switching shall provide overflow routing of traffic from a given trunk group or groups onto another trunk group or groups according to the methodology that Sprint designates.
- 12.3.6. Tandem Switching shall adhere to the Trunk Interface Requirements provided in the "Network Interconnection" section.
- 12.4. Tandem Switching shall meet or exceed each of the requirements for Tandem Switching set forth in the technical references listed in Appendix A to this Attachment 2, under paragraph 12.

13. **Additional Requirements**

This Section 13 of Attachment 2 sets forth the additional requirements for unbundled Network Elements which GTE agrees to offer to Sprint under this Agreement.

13.1. **Cooperative Testing**

13.1.1. **Definition:**

Cooperative Testing means that GTE shall cooperate with Sprint upon request or as needed to (1) ensure that any designed Network Elements provided to Sprint by GTE are in compliance with the requirements of this Agreement, (2) test the overall functionality of various designed Network Elements provided by GTE to Sprint in combination with each other or in combination with other equipment and facilities provided by Sprint or third parties, and (3) ensure that all operational interfaces and processes are in place and functioning properly and efficiently for the provisioning and maintenance of designed Network Elements so that all appropriate billing data can be provided to Sprint.

13.1.2. **Requirements**

Within 60 days of the Effective Date of this Agreement, Sprint and GTE will agree upon a process to resolve technical issues relating to interconnection of Sprint's network to GTE's network and Network Elements and Ancillary Functions. The agreed upon process shall include procedures for escalating disputes and unresolved issues up through higher levels of each company's management. If Sprint and GTE do not reach agreement on such a process within 60 days, any issues that have not been resolved by the parties with respect to such process shall be submitted to the ADR procedures set forth in Section 15 and Attachment 1 of this Agreement unless both parties agree to extend the time to reach agreement on such issues.

- 13.1.2.1. GTE shall provide Sprint access for testing at the MDF. Such test access shall be sufficient to ensure that the applicable requirements can be tested by Sprint. This access shall be available seven (7) days per week, 24 hours per day.
- 13.1.2.2. Sprint may test any interfaces, Network Elements or Ancillary Functions and additional requirements provided by GTE pursuant to this Agreement.
- 13.1.2.3. GTE shall provide engineering data as requested by Sprint for the loop components as set forth in Sections 2 and 3 of this Attachment which Sprint may desire to test. Such data shall include equipment engineering and cable specifications, signaling and transmission path data. GTE shall provide to Sprint the same type and quality of loop testing information that it provides to itself. Where GTE develops loop testing information as a matter of course, it will make that information available to Sprint where such information is relevant to Sprint's business. Where GTE maintains the internal discretion to test loops as needed, GTE will provide similar testing discretion to Sprint.
- 13.1.2.4. [Intentionally Deleted]
- 13.1.2.5. [Intentionally Deleted]
- 13.1.2.6. GTE shall temporarily provision selected Local Switching features for testing. Within 60 days of the Effective Date of this Agreement Sprint and GTE shall mutually agree on the procedures to be established between GTE and Sprint to expedite such provisioning processes for feature testing.



- 13.1.2.7. Upon Sprint's request, GTE shall provide technical staff to meet with Sprint representatives to provide required support for Cooperative Testing.
- 13.1.2.8. Dedicated Transport and Loop Feeder may experience alarm conditions due to in-progress tests. GTE shall not remove such facilities from service without obtaining Sprint's prior approval.
- 13.1.2.9. GTE shall conduct tests or maintenance procedures on Network Elements or Ancillary Functions or on the underlying equipment that is then providing a Network Element or Ancillary Function, that may cause a service interruption or degradation if such tests and procedures are at a time that is mutually acceptable to Sprint and GTE.
- 13.1.2.10. GTE shall provide a single point of contact to Sprint that is available 7 days per week, 24 hours per day for trouble status, sectionalization, resolution, escalation, and closure. Such staff shall be adequately skilled to allow expeditious problem resolution.
- 13.1.2.11. [Intentionally Deleted]
- 13.1.2.12. GTE shall participate in Cooperative Testing with Sprint upon Sprint's request to test any operational interface or process used to provide any designed Network Elements to Sprint.
- 13.1.2.13. Sprint and GTE shall endeavor to complete Cooperative Testing expeditiously.
- 13.1.2.14. During Cooperative Testing, GTE provisioning processes shall be enhanced to deliver designed Network Elements to Sprint in shorter intervals than during subsequent normal service periods upon development of a rate for premium service provisioning.
- 13.1.2.15. GTE shall participate in Cooperative Testing requested by Sprint as mutually required to insure service performance, reliability and customer serviceability of a designed Network Element.
- 13.1.2.16. Sprint may accept or reject the designed Network Element ordered by Sprint if upon completion of cooperative acceptance testing, the tested designed Network Element does not meet the technical or performance requirements for such designed Network Element.

**13.2. Performance**

- 13.2.1. Scope:  
This section addresses performance requirements for Network Elements and Ancillary Functions to provide local service. It includes requirements for the reliability and availability of Network Elements and Ancillary Functions, and quality parameters such as transmission quality (analog and digital), and speed (or delay). In addition, an overview of service performance requirements is given.
- 13.2.1.1. The General Performance Requirements in this section apply to all aspects of Network Elements and Ancillary Functions. Additional requirements are given in this performance section and in the individual Network Elements sections.
- 13.2.1.2. GTE shall work cooperatively with Sprint to determine appropriate performance allocations across Network Elements.
- 13.2.2. GTE shall meet or exceed the performance standards and requirements set forth in the technical references listed in Appendix A to this Attachment 2, under paragraph 13.
- 13.2.3. Services and Capabilities
- 13.2.3.1. All Network Elements shall provide performance sufficient, in combination with other Network Elements, to provide the following applications in accordance with the requirements of this document:
- 13.2.3.1.1. All types of voice services.
- 13.2.3.1.2. All types of voice-band data modem connections up to and including 28.8 kbps V.34.
- 13.2.3.1.3. All types of FAX transmissions up to and including 14.4 kbps group 3.
- 13.2.3.1.4. All CLASS/LASS features.
- 13.2.3.1.5. All Operator Systems.
- 13.2.3.2. The following capabilities shall be provided as applicable:
- 13.2.3.2.1. ISDN BRI
- 13.2.3.2.2. ISDN PRI

- 13.2.3.2.3. Switched Digital Data
- 13.2.3.2.4. Non-Switched Digital Data
- 13.2.3.2.5. Any types of Video applications that a customer may order
- 13.2.3.2.6. Any Coin Services the customer may order
- 13.2.3.2.7. Frame Relay and ATM

Private Line Services

13.2.4. Specific Performance Requirements for Network Elements and Ancillary Functions

13.2.4.1. The following sections itemize performance parameters for Network Elements and Ancillary Functions. GTE shall provide performance equal to or better than all of the requirements set forth in this Section. Unless noted otherwise, requirements and objectives are given in terms of specific limits. This means that all tests (acceptance and ongoing performance) shall meet the limit(s) to satisfy the requirement.

13.2.4.2. Performance Allocation Transmission path impairments may be classified as either analog or digital, and will depend on the nature of the signal transmitted across the Network Element. Analog impairments are introduced on any analog portion of the loop, typically between the NID portion of Loop Distribution and the analog to digital (A/D) conversion, and are usually correlated with the length of the physical plant. Digital impairments are introduced by A/D conversion and by interfaces between digital Network Elements. In addition, noise can be introduced by either analog transmission or the A/D conversion.

13.2.4.3. Loop Combination Architecture Constraints

13.2.4.3.1. The following constraints will limit not only the variety of Loop Combination architectures that may be considered, but also the architectures GTE may consider to deliver any Ancillary Function or Network Element. These constraints apply to the entire path between the NID portion of Loop Distribution and the GTE switch. Any exceptions to these restrictions shall be specifically requested or approved by Sprint in writing.

13.2.4.3.1.1. No more than 1 A-D conversion.

- 13.2.4.3.1.2. No more than 1, 2-to-4-wire hybrid.
- 13.2.4.3.1.3. No voice compression.
- 13.2.4.3.1.4. No echo cancelers or suppressers.
- 13.2.4.3.1.5. One digital loss pad per PBX.
- 13.2.4.3.1.6. No digital gain.
- 13.2.4.3.1.7. No additional equipment that might significantly increase intermodulation distortion.
- 13.2.4.4. Transmission Impairments
  - 13.2.4.4.1. Analog Impairments Analog impairments are those introduced on portions of the end-to-end circuit on which communications signals are transmitted in analog format. These portions of the transmission path would typically be between NID and an A/D conversion, most commonly on the metallic loop. The performance on the analog portion of a circuit is typically inversely proportional to the length of that circuit.
    - 13.2.4.4.1.1. Loss
      - 13.2.4.4.1.1.1. Electrical loss is measured using a 1004 Hz 0.0dB one Milliwatt 900 ohm test tone.
        - 13.2.4.4.1.1.2. Off-hook electrical loss between the NID and the switch shall be no more than 8.0 dB for any line, and the mean value for all lines shall be 3.5 dB  $\pm$ 0.5 dB. On-hook electrical loss between the NID and the switch shall be no more than 4.0 dB above the off-hook electrical loss for any line.
    - 13.2.4.4.1.2. Idle Channel Circuit Noise
      - 13.2.4.4.1.2.1. Idle channel circuit noise (C-message) is added by analog facilities, by the A/D conversion of signals, by digital processing equipment (e.g. echo cancelers, digital loss pads), robbed bit signaling, and errors on digital facilities.
      - 13.2.4.4.1.2.2. Idle channel circuit noise shall be less than or equal to 18 dB<sub>BrnC</sub>.
  - 13.2.4.4.1.3. Talker Echo

- 13.2.4.4.1.3.1. The primary source of echo is improper impedance-matching at the 2-to-4 wire hybrid in the GTE network. The impact on customer perception is a function of both echo return loss and delay.
- 13.2.4.4.1.3.2. Echo Return Loss (ERL) shall be greater than 26dB to a standard termination (900 ohms, 2.16 mFd), and greater than 14 dB to a telephone set off-hook. Singing Return Loss (SRL) shall be greater than 21dB to a standard termination, and greater than 11 dB to a telephone set off-hook.
- 13.2.4.4.1.4. Listener Echo  
Listener echo is a double reflection of a transmitted signal at two different impedance mismatches in the end-to-end connection. While in extreme cases it can degrade voice transmission performance, listener echo is primarily an issue for voiceband data. The requirements on Talker Echo shall apply to Listener Echo.
- 13.2.4.4.1.5. Propagation and Processing Delay
- 13.2.4.4.1.5.1. Propagation delay is the delay involved in transmitting information from one location to another. It is caused by processing delays of equipment in the network and delays associated with traveling across transmission facilities.
- 13.2.4.4.1.5.2. GTE shall cooperate with Sprint to limit total service propagation and processing delay to levels at parity with that within the GTE local network.
- 13.2.4.4.1.6. Signal-to-Noise Ratio
- 13.2.4.4.1.6.1. The Signal-to-Noise Ratio (S/N) is a critical parameter in determining voiceband data performance. It is typically measured with a 1004 Hz tone.
- 13.2.4.4.1.6.2. GTE must provide on the Loop Combination a signal-to-noise ratio of at least 37 dB between the NID and the end office.
- 13.2.4.4.1.7. C-Notched Noise  
The requirements for Signal-to-Noise Ration shall apply to C-Notched Noise.
- 13.2.4.4.1.8. Attenuation Distortion

- 13.2.4.4.1.8.1. Attenuation distortion, also known as frequency distortion or gain slope, measures the variations in loss at different frequencies across the voice frequency spectrum (200 Hz - 3400 Hz). It is measured by subtracting the loss at 1004 Hz from the loss at the frequency of interest.
- 13.2.4.4.1.8.2. Attenuation distortion from the NID to the switch shall be within the range  $\pm 0.5$  dB for frequencies between 304 and 3004 Hz; from the switch to NID attenuation distortion shall be within the range  $\pm 0.5$  dB for frequencies between 204 Hz and 3004 Hz. In addition, attenuation distortion shall remain within the range +1dB/-3dB for frequencies between 200 Hz and 3500 Hz.
- 13.2.4.4.1.9. Envelope Delay Distortion
- 13.2.4.4.1.9.1. Envelope Delay Distortion (EDD) measures the difference in transit time of signals at different frequencies. EDD is measured relative to the transit time of a 1704 Hz. tone, and is given in microseconds. EDD is used as an approximation of the group delay of the channel.
- 13.2.4.4.1.9.2. EDD shall be: 1704 Hz to 604 Hz --  $\leq 350$  msec.; 1704 Hz to 2804 Hz --  $\leq 195$  msec.; 1704 Hz to 204 Hz --  $\leq 580$  msec.; 1704 Hz to 3404 Hz --  $\leq 400$  msec.
- 13.2.4.4.1.10. Phase Jitter
- 13.2.4.4.1.10.1. Phase jitter measures the unwanted angular modulation of a signal. It is caused by noise or the actual modulation of the signal by another unwanted signal. It displaces the zero crossings of a signal. It is measured in terms of peak-to-peak deviations of a 1004 Hz. tone from its nominal zero crossings, and in a particular frequency band (20-300 Hz and either 4-300 Hz or 2-300 Hz). Phase jitter impacts voiceband data performance and can make modems more susceptible to other impairments, including noise.
- 13.2.4.4.1.10.2. From the NID to the interexchange carrier point of termination, phase jitter shall be  $<1.5^\circ$  point-to-point in the 20-300 Hz band, and  $<1.8^\circ$  point-to-point in the 4-300 Hz. band.
- 13.2.4.4.1.11. Amplitude Jitter
- 13.2.4.4.1.11.1. Amplitude jitter is any deviation of the peak value of a 1004 Hz signal from its nominal value. Excessive amounts can impair voiceband data performance. It is primarily caused by noise but

can also be caused by phase jitter, gain hits, or single frequency interference.

- 13.2.4.4.1.11.2. In NID-interexchange carrier point of termination,  $\leq 2.5\%$  of amplitude jitter is permitted in the 20-300 Hz band and  $\leq 2.9\%$  in the 4-300 Hz band.
- 13.2.4.4.1.12. Intermodulation Distortion
- 13.2.4.4.1.12.1. Intermodulation distortion (IMD) measures non-linear distortions of a signal. It compares the power of harmonic tones to the power of the transmitted tones. It is measured for both the 2nd and 3rd harmonics of the transmitted tones. IMD is caused by compression or clipping and can impair voiceband data performance. Both 2nd and 3rd order IMD between the NID and end office must be  $\geq 52\text{dB}$ .
- 13.2.4.4.1.13. Impulse Noise
- 13.2.4.4.1.13.1. Impulse noise is a sudden and large increase in noise on a channel for a short duration of time. Impulse noise is measured as a count of the number of times a noise threshold is exceeded during a given time period (typically 5 or 15 minutes). It is caused by protection switching, maintenance activities, electromechanical switching systems, digital transmission errors, and line coding mismatches. Impulse noise sounds like clicking noises or static on voice connections. Impulse noise impairs voiceband data performance.
- 13.2.4.4.1.13.2. The NID to interexchange carrier point of termination portions of connections shall introduce no impulse noise events within 6dB of the received signal power on 93% of all 15 minute connections. In addition, there shall be no more than 1 impulse noise event within 6 dB of the received signal power during any 30-minute period.
- 13.2.4.4.1.14. Phase Hits
- 13.2.4.4.1.14.1. Phase hits are a sudden change in the phase of a signal lasting at least 4 msec. Phase hits are measured using a threshold which indicates how much the phase of the signal has changed with respect to its nominal phase. Phase hits are caused by protection switching and slips or other synchronization errors. Phase hits can impair voiceband data performance.

- 13.2.4.4.1.14.2. Between the NID and interexchange carrier point of termination, 99.75% of all 15-minute connections shall have no phase hits exceeding 10°. In addition, there shall be no more than 1 phase hit exceeding 10° in any 30-minute period.
- 13.2.4.4.1.15. Gain Hits
  - 13.2.4.4.1.15.1. Gain hits are sudden changes in the level of a signal that last at least 4 msec. Gain hits are measured against a threshold of typically 2-5 dB relative to the signal's nominal level. Gain hits are usually caused by protection switches and can impair voiceband data performance.
  - 13.2.4.4.1.15.2. Between the NID and the interexchange carrier point of termination, 99.5% of all 15-minute connections shall have no gain hits exceeding 3 dB. In addition, there shall be no more than 1 gain hit exceeding 3 dB in any 30-minute period.
- 13.2.4.4.1.16. Dropouts
  - 13.2.4.4.1.16.1. Dropouts are drops in the level of a signal of 12 dB or more for at least 4 msec. They are caused by protection switching events, radio fading, and conditions causing digital carrier systems to lose frame. Dropouts are critical for voiceband data performance but, if severe enough, will also affect voice quality.
  - 13.2.4.4.1.16.2. Between the NID and the interexchange carrier point of termination, 99.9% of all 15-minute connections shall have no dropouts and in addition, no connection shall suffer more than 1 dropout in any 60-minute period.
- 13.2.4.4.1.17. Frequency Shift
  - 13.2.4.4.1.17.1. Frequency shift measures any frequency changes that occur when a signal is transmitted across a channel. It is typically measured using a 1004 Hz tone. Frequency shift has very little impact on voice or voiceband data performance; however, round-trip frequency shifts can affect the ability of echo cancelers to remain converged.
  - 13.2.4.4.1.17.2. No more than 0.2 Hz frequency shift shall be on any connection. In addition, 99.5% of all calls shall have frequency shift < 0.1 Hz.
- 13.2.4.4.1.18. Crosstalk



13.2.4.4.1.18.1. Crosstalk is the presence of signals from other telephone connections on a circuit. Crosstalk can be either intelligible, when speech from other connections can be heard and understood, or unintelligible. Crosstalk is caused by inter-channel interference on the transmission system. Crosstalk is difficult to measure: it requires correlating signals on different circuits or using human listeners to identify its presence. Trouble reports may be used to estimate the probability of crosstalk.

13.2.4.4.1.18.2. 99% of Loop Combinations shall have probability  $\leq 0.1\%$  of experiencing crosstalk exceeding -65 dBm0.

13.2.4.4.1.19. Clipping

13.2.4.4.1.19.1. Clipping occurs when part of a transmitted signal is dropped and does not reach the receiving portion on a connection. It can be caused by Digital Speech Interpolation (DSI) equipment used in Digital Circuit Multiplication Systems (DCMS) which increase the amount of traffic that transmission facilities carry, and by echo cancelers or echo suppressers.

No clipping incidents shall occur on any call.

13.2.4.4.2. Digital Impairments

Digital impairments occur in the signal wherever it is transmitted in digital format. These errors are usually introduced upon conversion of the signal from analog to digital, as well as at interfaces between digital components. While many digital impairments have little impact on subjective voice quality, they can impact voiceband data performance.

13.2.4.4.2.1. Signal Correlated Distortion

13.2.4.4.2.1.1. Signal correlated distortion (SCD) is unwanted noise or distortion introduced into a signal through the conversion of a signal from analog to digital format or through digital processing that changes the transmitted signal. SCD affects performance when a sign is being transmitted. The primary sources of SCD are signal encoders, echo cancelers, digital loss pads, and robbed bit signaling. SCD affects both voice and voiceband data performance.

13.2.4.4.2.1.2. The NID-to-end-office connection shall allow:

- 13.2.4.4.2.1.2.1. A maximum of 1 A/D conversion, using 64Kbps m-law (m=255) PCM;
- 13.2.4.4.2.1.2.2. No voice compression;
- 13.2.4.4.2.1.2.3. No echo cancellation; and
- 13.2.4.4.2.1.2.4. Robbed bit signaling only if SS7 or ISDN are not used.
- 13.2.4.4.2.2. Slips
- 13.2.4.4.2.2.1. Slips occur when a frame of digital data is either deleted or repeated because of differences in the clocks used to synchronize digital facilities. Slips sound like clicks or pops on voice calls and have major impact on voiceband data performance.
- 13.2.4.4.2.2.2. The NID-to-interexchange carrier point of termination portion of connections shall have fewer than 0.45 slips every 24 hours on average.
- 13.2.4.4.2.3. Digital Timing Jitter and Wander
- 13.2.4.4.2.3.1. Digital timing jitter is the unwanted phase modulation of digital signals at rates above 10 Hz. Wander is the unwanted phase modulation of digital signals at rates below 10 Hz. Digital timing jitter is caused by imperfections in the timing recovery process of repeaters and the stuffing synchronization process used by multiplexer/demultiplexers. Wander is caused by slowly varying changes in digital signal phase due to clock frequency offset and drift, changes in propagation delay of terrestrial facilities due to temperature changes and changes in the distance of satellites from the earth. These events have a major impact on voiceband data performance.
- 13.2.4.4.2.3.2. The maximum digital timing jitter allowed in the 10 Hz to 8 kHz frequency band at any network interface or any terminal equipment in the network is 5 Unit Intervals (UI). The maximum digital timing jitter allowed in the 8 kHz to 40 kHz frequency band is 0.1 UI. The objective for wander is less than 28 UI at any network interface or terminal equipment.
- 13.2.4.4.2.4. DS-1 Errored Seconds
- 13.2.4.4.2.4.1. An Errored Second (ES) on a DS-1 facility is any second during which at least 1 bit is in error. The impact of an ES on performance

depends on the number of errors that occur during a second. Typically, voice performance is not significantly impacted by ES but they can cause errors in voiceband data transmissions.

13.2.4.4.2.4.2. Each GTE network shall have less than 20 ESs per 24 hour period.

13.2.4.4.2.5. DS-1 Severely Errored Seconds

13.2.4.4.2.5.1. A severely Errored Second (SES) is any second during which a DS-1 has an error rate exceeding 0.001. An SES can be caused by a loss of framing, a slip, or a protection switch. SESs have impacts on both voice and voiceband data performance. For voice, an SES will sound like a burst of noise or static. SESs that occur during a voiceband data transmission cause a significant burst of errors and can cause modems to retrain.

13.2.4.4.2.5.2. The digital portion of each NID to POP connection shall have less than 2 SESs per 24 hour period).

13.2.4.4.2.6. Short Failure Events

13.2.4.4.2.6.1. A Short Failure Event (SFE) is a Loss of Frame (LOF) event of less than two minutes' duration. An LOF event is declared when, on detection of a Loss of Signal (LOS) or Out-of-Frame (OOF), a rise-slope-type integration process starts that declares a LOF after  $2.5 \pm 0.5$  sec. of continuous LOS or OOF. If the LOS or OOF is intermittent, the integration process shall decay at a slope of  $1/5$  the rise slope during the period when the signal is normal. Thus, if the ratio of a LOS or OOF to a normal signal is greater than  $1/2$ , a LOF will be declared. A LOS condition shall be declared when the Network Channel Terminating Equipment has determined that  $175 \pm 75$  successive pulse positions with no pulses of either positive or negative polarity have occurred. An OOF condition shall be declared when either Network equipment or Digital Terminal Equipment detects errors in the framing pattern.

13.2.4.4.2.6.2. There shall be fewer than 1 SFE per month.

13.2.4.5. Service Availability and Reliability

Availability refers to the time period during which the service is up and usable for its intended purpose. Reliability refers to the probability that a task will be completed successfully, given that it is successfully begun.

- 13.2.4.5.1.           Blocked Calls
- 13.2.4.5.1.1.       Blocking is the fraction of call origination attempts denied service during a stated measurement period. Blocking occurs because of competition for limited resources within the network.
- 13.2.4.5.1.2.       For intraLATA toll service as well as for local exchange service, the blocking level from originating network interface (NID) to terminating NID shall not exceed 1% in any hour, except under conditions of service disruption. For access to or egress from the Sprint long distance network, the blocking rate shall not exceed 0.5% in any hour, except under conditions of service disruption.
- 13.2.4.5.2.           Blocked Dial Tone
- 13.2.4.5.2.1.       Blocked dial tone occurs when the subscriber does not receive dial tone within 3 seconds of going off-hook.
- 13.2.4.5.2.2.       Customers shall not experience more than 0.1% dial tone blocking during average busy season busy hour (ABSBH).
- 13.2.4.5.3.           Downtime  
Downtime is the period of time that a system is in a failed state.
- 13.2.4.5.3.1.       The average downtime for all subscriber Loop Combinations shall be less than 49 minutes per year. The maximum downtime for 99% of all subscriber Loop Combinations shall be less than 74 minutes per year.
- 13.2.4.5.3.2.       The average downtime for an end office switch shall be less than 3 minutes per year. The average downtime for individual trunks shall be less than 28 minutes per year. The average downtime for digital trunk groups shall be less than 20 minutes per year. The average downtime for an individual line appearance at the switch shall be less than 28 minutes per year. The average downtime for a Remote Terminal (RT) shall be less than 17 minutes per year. The average downtime for an individual line on a Remote Terminal (RT) shall be less than 13 minutes per year.
- 13.2.4.5.3.3.       The mean time to repair (MTTR) of any equipment at an attended site shall be less than 3 hours. The mean time to repair (MTTR) of any equipment at an unattended site shall be less than 4 hours. 95% of all repairs to the network interface (NID) shall be completed within 24 hours.

- 13.2.4.5.3.4. There shall be no downtime due to power failures at the switch.
- 13.2.4.5.3.5. The probability of a stable call being cut off shall be less than 20 cutoffs per one million 1 minute calls.
- 13.2.4.5.3.6. The rate of ineffective machine attempts at the end office shall be less than 0.0005 (5 failures per 10,000 call attempts).
- 13.2.4.5.3.7. GTE shall meet all requirements for private line services in TR-NWT-000335, ANSI T1.512-1994, and Sprint Technical References as listed in this Section 13.2.
- 13.2.4.5.4. Dial Tone Delay
- 13.2.4.5.4.1. Dial-Tone Delay is the time period between a customer off-hook and the receipt of dial tone from an originating end office. Dial-Tone Delay has a significant effect on customer opinion of service quality.
- 13.2.4.5.4.2. The average dial-tone delay shall not exceed 0.6 seconds. At most 0.5% of calls during the average-season busy hour (ABSBH) shall experience dial-tone delay greater than 3 seconds. At most 8% of calls during the ten-high-day busy hour (THDBH) shall experience dial-tone delay greater than 3 seconds. At most 10% of calls during the high-day busy hour (HDBH) shall experience dial-tone delay greater than 3 seconds.
- 13.2.4.5.5. Dial Tone Removal
- 13.2.4.5.5.1. Dial tone removal is the time between recognition of the first address digit to the removal of dial tone on the line.  
The maximum dial tone removal interval shall be  $\leq 500$  milliseconds.
- 13.2.4.5.6. Post Dial Delay
- 13.2.4.5.6.1. Post Dial Delay (PDD) is the amount of time a caller must wait after entering or dialing the last digit of a Destination Telephone Number (DTN) before hearing a valid audible network response. The PDD for an end user is measured from the time the caller has pressed or dialed the last digit of a DTN until receipt of an audible network response.

- 13.2.4.5.6.2. The requirements given reflect an end-to-end CCS7 protocol for Sprint end users. Where a mixture of CCS7 and inband (MF) signaling protocols are employed, an increase in the PDD can be expected.
- 13.2.4.5.6.2.1. PDD 1 - A - Intra Sprint LSO
- 13.2.4.5.6.2.1.1. Intra-LSO calls do not employ external signaling protocols. The PDD for intra-LSO calls flows are dependent upon the processor cycle time and traffic load conditions. This PDD is assumed to be between customers on the same Sprint LSO, between the Remote Switch Modules (RSMs) on the same Host, or between an RSM and 5ESS Host customers.
- 13.2.4.5.6.2.1.2. The objective for intra-LSO PDD is less than 310 milliseconds for 50% of all calls and less than 460 milliseconds for 95% of all calls.
- 13.2.4.5.6.2.2. PDD1 - B - Sprint LSO to Another Sprint Local LSO
- 13.2.4.5.6.2.2.1. The signaling protocols from an Sprint LSO to another Sprint LSO are assumed to employ out-of-band Common Channel Signaling System 7 (CCS7) format. Local calls, that is, calls from an Sprint LSO to another Sprint LSOs are assumed to have no more than one pair of Signaling Transfer Point Switches (STPSs) and no more than one data base dip.
- 13.2.4.5.6.2.2.2. This PDD is expected to be better than the Sprint Long Distance objective with an average PDD of  $\leq .870$  seconds with 95%  $\leq 1.34$  seconds.
- 13.2.4.5.6.2.3. PDD1 - C - Sprint LSO to Other LSO
- 13.2.4.5.6.2.3.1. Calls from an Sprint LSO to other LSOs are dependent upon the interface agreements between Sprint and the LSO service provider and may employ CCS7, inband (MF) or a combination of both protocols.
- 13.2.4.5.6.2.3.2. Calls from an Sprint LSO to another LSO via the Public Switched Telecommunications Network (PSTN), using end-to-end CCS7 signaling protocols, can expect to meet the Sprint PDD objectives of an average of 2.0 seconds with 95% in  $\leq 2.5$  seconds. Calls from an Sprint LSO via the PSTN to LSOs outside the local service area are assumed to use CCS7 signaling protocols to the Sprint #4ESS. The egress signaling protocols from the Sprint Switched Network (ASN) to the many different local telephone company

service providers however does not necessarily utilize CCS7 signaling. There are three basic egress signaling configuration. They are:

- 13.2.4.5.6.2.3.2.1. Network Inter-Connect, CCS7 between Sprint and the local telephone company.
- 13.2.4.5.6.2.3.2.2. Inband Multifrequency (MF) signaling protocols without a GTE egress tandem in the connection.
- 13.2.4.5.6.2.3.2.3. Inband MF signaling protocols with a GTE egress tandem in the connection.
- 13.2.4.6.3.2.3.2.3.1 Calls from an Sprint LSO to other LSOs outside the local service area are assumed to have multiple STPSs for 1+ traffic in the access and ASN portion of the connection. The egress from the ASN for 1+ traffic is again dependent upon the interface agreements in that service area and may consist of CCS7 or inband MF protocols.
- 13.2.4.6.3.2.3.2.3.2 Calls from an Sprint's LSO to another Sprint LSO with a mixture of CCS7 or all inband signaling protocols are expected to receive PDDs on the average of 2.9 seconds with 95% in  $\leq 6.5$  seconds.
- 13.2.4.5.6.2.4. PDD2 - Sprint LSO to Operator Services
  - 13.2.4.5.6.2.4.1. The signaling protocols between an Sprint LSO and the Sprint ASN 5ESS® Operator Services Position Systems (OSPS) will employ IN-band Feature Group C Modified Operator Services Multifrequency signaling format. As with 1+ traffic, the egress from the ASN to the local service providers LSO is dependent upon the interface.
- 13.2.4.5.6.2.5. PDD2 - A - Sprint LSO to 5ESS® OSPS 0 Only
  - 13.2.4.5.6.2.5.1. When a "0" has been entered by the customer, timing is applied in the absence of a DTMF "#". If a "#" is not entered, the objective is for the timer to expire in 4 seconds +/- 1 second. After the timer has expired, or the "#" has been entered, the average PDD shall not exceed 2.2 seconds.
- 13.2.4.5.6.2.6. PDD2 - B - 0 Plus Calls
  - 13.2.4.5.6.2.6.1. On calls where analysis of the first 6 digits ( area code + central office code) is required, the PDD shall not exceed 2.0 seconds on the average, and 2.5 seconds in 95% of all occurrences. For calls

that require analysis of the 10-digits CALLED number and the 7 digits of calling number (ANI, e.g. Automatic Charge Quotation Service) the PDD is expected to be 4.5 seconds on the average and < 5.0 seconds in 95% of all occurrences. These delays are based on the calling customer receiving a network response as described above, specifically the calling card alerting tone from the 5ESS® OSPA. The remaining call completion PDD to the DTN, after the customer has completed the Operator Service function, will take the form of the PDDs discussed in PDD1-C.

13.2.4.5.6.2.7. Impact of Local Number Portability (LNP)

13.2.4.5.6.2.7.1. Local Number Portability will increase PDDs. If a call forwarding option is used as an interim solution for LNP, the delay due to additional switching in the local access is estimated to be 0.3 seconds (mean) and 0.4 seconds (95th percentile) in addition to the PDDs described earlier. These estimates assumes CCS7 signaling between LSOs. If inband signaling is used between LSOs, the PDD will be increased by 1.9 to 3.6 (1.7+1.9) seconds compared to the PDDs provided in the section on Post Dial Delay.

13.2.4.5.6.2.8. Custom Local Area Subscriber Services (CLASS)

13.2.4.5.6.2.8.1. CLASS<sup>SM</sup> features such as Calling Name Delivery can contribute to the PDD of a call. This delay is caused by the additional time (GTE option) before the ringing interval commences. This default delay is 3 seconds. Optional settings are available in 1 second intervals from 1 to 6 seconds. Calls to DTNs that have CLASS<sup>SM</sup> features, particularly with calling name delivery, can expect to experience from 1 to 6 seconds (3 seconds default) of additional PDD compared to the PDDs shown for PDD1-C.

13.2.4.5.6.2.9. Partial Dial Timing

13.2.4.5.6.2.9.1. The interval between each information digit from a customer's line, until the LSO or switching system has determined that the digit string is incomplete.

13.2.4.5.6.2.9.2. For customer lines, partial dial timing shall be  $\geq 16$  seconds and  $\leq 24$  seconds. For trunks, inband signaling time-out shall be  $\geq 5$  seconds and  $\leq 20$  seconds.

13.2.5. Test and Verification



- 13.2.5.1. GTE will provision, test, and restore any Network Element to the appropriate technical specifications for such Network Element.
- 13.2.5.1.1. At Sprint's request, GTE will provide access to the Network Element sufficient for Sprint to test the performance of that Network Element to Sprint's satisfaction.
- 13.2.5.1.2. GTE will perform all necessary testing to provision and restore a Network Element to technical specifications. When GTE documents the performance of a test, GTE will provide such test results to Sprint.

### **13.3. Protection, Restoration, and Disaster Recovery**

- 13.3.1. Scope:  
This Section refers specifically to requirements on the use of redundant network equipment and facilities for protection, restoration, and disaster recovery.
- 13.3.2. Requirements
  - 13.3.2.1. GTE shall provide protection, restoration, and disaster recovery capabilities at parity with those capabilities provided for GTE's own services, facilities and equipment (e.g., equivalent circuit pack protection ratios, facility protection ratios).
  - 13.3.2.2. GTE shall provide Network Elements and Ancillary Functions equal priority in protection, restoration, and disaster recovery as provided to GTE's own services, facilities and equipment.
  - 13.3.2.3. GTE shall provide Network Elements and Ancillary Functions equal priority in the use of spare equipment and facilities as provided to GTE's own services, facilities and equipment.
  - 13.3.2.4. GTE shall restore Network Elements which are specific to Sprint end user customers on a priority basis as Sprint may designate.

### **13.4. Synchronization**

- 13.4.1. Definition

Synchronization is the function which keeps all digital equipment in a communications network operating at the same average frequency. With respect to digital transmission, information is coded into discrete pulses. When these pulses are transmitted through a digital communications network, all synchronous Network Elements are traceable to a stable and accurate timing source. Network synchronization is accomplished by timing all synchronous Network Elements in the network to a stratum 1 traceable timing source so that transmission from these network points have the same average line rate.

13.4.2. Technical Requirements

The following requirements are applicable to the case where GTE provides synchronization to equipment that Sprint owns and operates within a GTE location. In addition, these requirements apply to synchronous equipment that is owned by GTE and is used to provide a Network Element to Sprint.

13.4.2.1. The synchronization of clocks within digital networks is divided into two parts: intra-building and inter-building. Within a building, a single clock is designated as the Building Integrated Timing Supply (BITS), which provides all of the DS1 and DS0 synchronization references required by other clocks in such building. This is referred to as intra-building synchronization. The BITS receives synchronization references from remotely located BITS. Synchronization of BITS between buildings is referred to as inter-building synchronization.

13.4.2.2. To implement a network synchronization plan, clocks within digital networks are divided into four stratum levels. All clocks in strata 2, 3, and 4 are synchronized to a stratum 1 clock, that is, they are traceable to a stratum 1 clock. A traceable reference is a reference that can be traced back through some number of clocks to a stratum 1 source. Clocks in different strata are distinguished by their free running accuracy or by their stability during trouble conditions such as the loss of all synchronization references.

13.4.2.2.1. Intra-Building

13.4.2.2.1.1. Within a building, there are different kinds of equipment that require synchronization at the DS1 and DS0 rates. Synchronization at the DS1 rate is accomplished by the frequency synchronizing presence of buffer stores at various DS1 transmission interfaces. Synchronization at the DS0 rate is accomplished by using a

composite clock signal that phase synchronizes the clocks. Equipment requiring DS0 synchronization frequently does not have adequate buffer storage to accommodate the phase variations among different equipment. Control of phase variations to an acceptable level is accomplished by externally timing all interconnecting DS0 circuits to a single clock source and by limiting the interconnection of DS0 equipment to less than 1,500 cable feet. Therefore, a BITS shall provide DS1 and composite clock signals when appropriate. The composite signal is a 64-kHz 5/8<sup>th</sup> duty cycle, return to zero with a bipolar violation every eighth pulse (B8RZ).

13.4.2.2.2. Inter-Building

13.4.2.2.2.1. GTE shall provide inter-building synchronization at the DS1 rate, and the BITS shall accept the primary and secondary synchronization links from BITS in other buildings. From hierarchical considerations, the BITS shall be the highest stratum clock within the building and GTE shall provide operations capabilities (this includes, but is not limited to: synchronization reference provisioning; synchronization reference status inquiries; timing mode status inquiries; and alarm conditions).

13.4.3. Synchronization Distribution Requirements

13.4.3.1. Central office BITS shall contain redundant clocks meeting or exceeding the requirements for a stratum 2 clock as specified in ANSI T1.101-1994 and Bellcore TR-NWT-001244 Clocks for the Synchronized Network: Common Generic Criteria.

13.4.3.2. Central office BITS shall be powered by primary and backup power sources.

13.4.3.3. If both reference inputs to the BITS are interrupted or in a degraded mode (meaning off frequency greater than twice the minimum accuracy of the BITS, loss of frame, excessive bit errors, or in Alarm Indication Signal), then the stratum clock in the BITS shall provide the necessary bridge in timing to allow the network to operate without a frame repetition or deletion (slip free) with better performance than 1 frame repetition or deletion (slip) per week.

13.4.3.4. DS1s multiplexed into a SONET synchronous payload envelope within an STS-n (where n is defined in ANSI T1.105-1995) signal shall not be used as reference facilities for network synchronization.

- 13.4.3.5. The total number of Network Elements cascaded from the stratum 1 source shall be minimized.
- 13.4.3.6. A Network Element shall receive the synchronization reference signal only from another Network Element that contains a clock of equivalent or superior quality (stratum level).
- 13.4.3.7. GTE shall select for synchronization those facilities shown to have the greatest degree of availability (absence of outages).
- 13.4.3.8. Where possible, all primary and secondary synchronization facilities shall be physically diverse (this means the maximum feasible physical separation of synchronization equipment and cabling).
- 13.4.3.9. No timing loops shall be formed in any combination of primary and secondary facilities.
- 13.4.3.10. An Operations Support System (OSS) shall continuously monitor the BITS for synchronization related failures or degradation.
- 13.4.3.11. An OSS shall continuously monitor all equipment transporting synchronization facilities for synchronization related failures or degradation.
- 13.4.3.12. For non-SONET equipment, GTE shall provide synchronization facilities which, at a minimum, comply with the standards set forth in ANSI T1.101-1994.  
For SONET equipment, GTE shall provide synchronization facilities that have time deviation (TDEV) for integration times greater than 0.05 seconds and less than or equal to 10 seconds, that is less than or equal to 10 nanoseconds. TDEV, in nanoseconds, for integration times greater than 10 seconds and less than 1000 seconds, shall be less than 3.1623 times the square-root of the integration time. For example, for integration times of 25 seconds, TDEV shall be less than 15.8 nanoseconds.

### **13.5. SS7 Network Interconnection**

- 13.5.1. Definition:  
SS7 Network Interconnection is the Interconnection of GTE Signal Transfer Points (STPs) with Sprint STPs or Sprint local or tandem switching systems. This connectivity enables the exchange of SS7 messages between Sprint local or tandem switching systems and GTE's local or tandem switching systems, and between Sprint local

or tandem switching systems and other third-party local or tandem switching systems with signaling connectivity to the same STPs. This connectivity also enables the exchange of messages between Sprint local or tandem switching systems, and GTE databases.

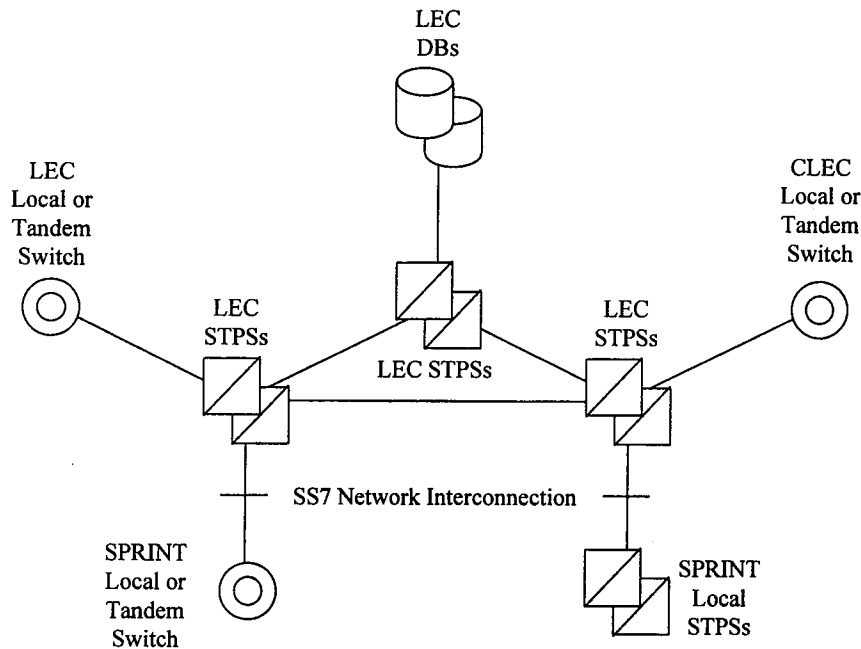


Figure 3. SS7 Network Interconnection

13.5.2. Technical Requirements

13.5.2.1. SS7 Network Interconnection shall provide connectivity to all components of the GTE SS7 network. These include:

13.5.2.1.1. GTE local or tandem switching systems;

13.5.2.1.2. GTE DBs; and

13.5.2.1.3. Other third-party local or tandem switching systems.

13.5.2.2. The connectivity provided by SS7 Network Interconnection shall fully support the functions of GTE switching systems and DBs and Sprint or other third-party switching systems with A-link access to the GTE SS7 network.

13.5.2.3. In particular Figure 4 depicts a circumstance where SS7 Network Interconnection shall provide transport for certain types of

Transaction Capabilities Application Part (TCAP) messages. If traffic is routed based on dialed or translated digits between an Sprint local switching system and a GTE or other third-party local switching system, either directly or via a GTE tandem switching system, then it is a requirement that the GTE SS7 network convey via SS7 Network Interconnection the TCAP messages that are necessary to provide Call Management services (Automatic Callback, Automatic Recall, and Screening List Editing) between the Sprint local STPSs and the GTE or other third-party local switch.

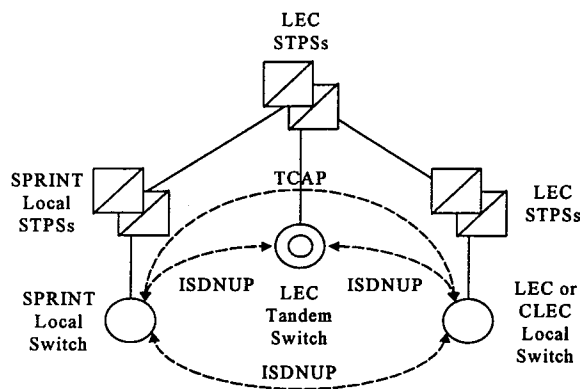


Figure 4. Interswitch TCAP Signaling for SS7 Network Interconnection

- 13.5.2.4. When the capability to route messages based on Intermediate Signaling Network Identifier (ISNI) is generally available on GTE STPSs, the GTE SS7 Network shall also convey TCAP messages using SS7 Network Interconnection in similar circumstances where the GTE switch routes traffic based on a Carrier Identification Code (CIC).
- 13.5.2.5. SS7 Network Interconnection shall provide all functions of the MTP as specified in ANSI T1.111. This includes Signaling Data Link functions, as specified in ANSI T1.111.2; Signaling Link functions, as specified in ANSI T1.111.3; and Signaling Network Management functions, as specified in ANSI T1.111.4.
- 13.5.2.6. SS7 Network Interconnection shall provide all functions of the SCCP necessary for Class 0 (basic connectionless) service, as specified in ANSI T1.112 (Reference 13.5.2.5). In particular, this includes Global Title Translation (GTT) and SCCP Management procedures, as specified in T1.112.4. Where the destination signaling point is a GTE switching system or DB, or is another third-party local or tandem switching system directly connected to the GTE SS7 network, SS7 Network Interconnection shall include final GTT of messages to the destination and SCCP Subsystem Management of the destination. Where the destination signaling point is an Sprint local or tandem switching system, SS7 Network Interconnection shall include intermediate GTT of messages to a gateway pair of Sprint local STPSs, and shall not include SCCP Subsystem Management of the destination.
- 13.5.2.7. SS7 Network Interconnection shall provide all functions of the Integrated Services Digital Network User Part (ISDNUP), as specified in ANSI T1.113 (Reference 13.5.2.5).
- 13.5.2.8. SS7 Network Interconnection shall provide all functions of the TCAP, as specified in ANSI T1.114 (Reference 13.5.2.5).
- 13.5.2.9. If and when Internetwork MTP Routing Verification Test (MRVT) and SCCP Routing Verification Test (SRVT) become approved ANSI standards and available capabilities of GTE STPSs, SS7 Network Interconnection shall provide these functions of the OMAP.

13.5.3. Link Interface Requirements

13.5.3.1. GTE shall offer the following SS7 Network Interconnection options to connect Sprint or Sprint-designated local or tandem switching systems or STPSs to the GTE SS7 network:

13.5.3.1.1. A-link interface from Sprint local or tandem switching systems; and

13.5.3.1.2. D-link interface from Sprint STPSs.

13.5.3.2. Each interface shall be provided by one or more sets (layers) of signaling links, as follows:

13.5.3.2.1. An A-link layer shall consist of two links, as depicted in Figure 5.

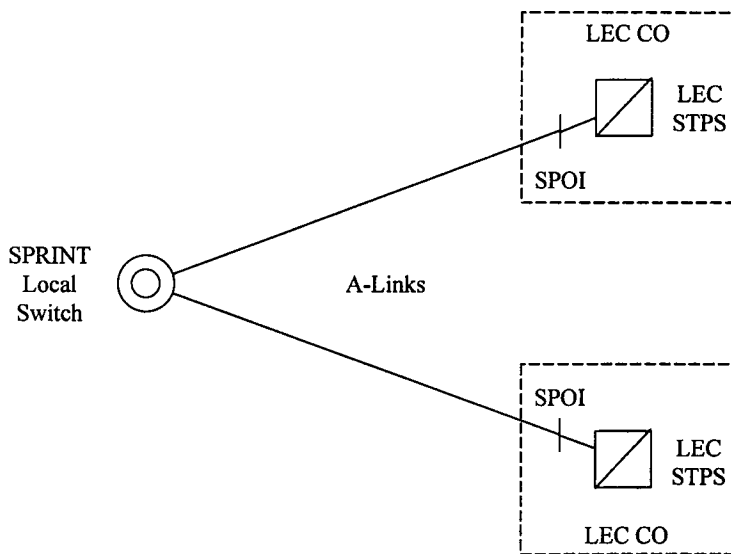


Figure 5. A-Link Interface

13.5.3.2.2. A D-link layer shall consist of four links, as depicted in Figure 6.



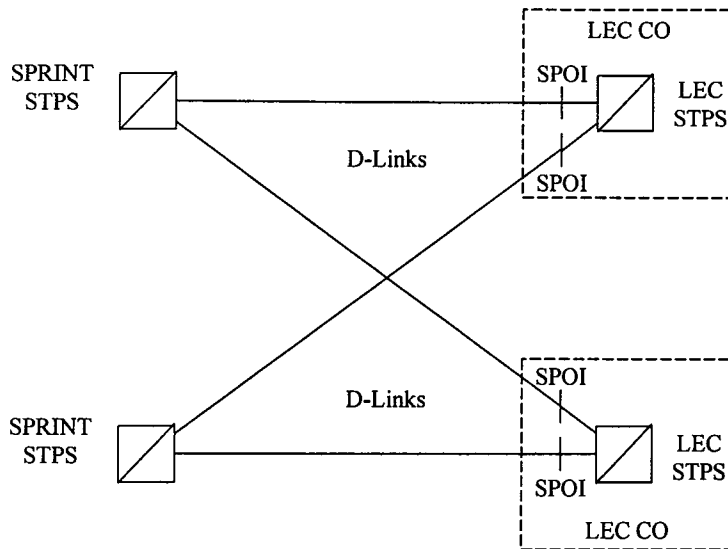


Figure 6. D-Link Interface

- 13.5.3.3. The Signaling Point of Interconnection (SPOI) for each link shall be located at a cross-connect element, such as a DSX-1, in the Central Office (CO) where the GTE STPS is located. There shall be a DS1 or higher rate transport interface at each of the SPOIs. Each signaling link shall appear as a DS0 channel within the DS1 or higher rate interface. GTE shall offer higher rate DS1 signaling links for interconnecting Sprint local switching systems or STPSs with GTE STPSs as soon as these become approved ANSI standards and available capabilities of GTE STPSs.
- 13.5.3.4. GTE CO shall provide intraoffice diversity between the SPOIs and the GTE STPS, so that no single failure of intraoffice facilities or equipment shall cause the failure of both D-links in a layer connecting to a GTE STPS.

13.5.3.5. The protocol interface requirements for SS7 Network Interconnection include the MTP, ISDNUP, SCCP, and TCAP. These protocol interfaces shall conform to the specifications contained in the technical references listed in Appendix A to this Attachment 2, under paragraph 14.

13.5.3.6. SS7 Network Interconnection shall be provided to Sprint in accordance with the technical references listed in Appendix A to this Attachment 2, under paragraph 15.

#### 14. **Unused Transmission Media**

##### 14.1. **Definitions:**

14.1.1. Unused Transmission Media is physical inter-office transmission media (e.g., optical fiber, from an LGX in one central office to another LGX in another central office, copper twisted pairs from the MDF of one central office to the MDF in another central office, coaxial cable) which has no lightwave or electronic transmission equipment terminated to such media to operationalize its transmission capabilities. This media may exist in aerial or underground structure or within a building.

14.1.2. Dark Fiber, one type of unused transmission media, is unused strands of optical fiber. Dark Fiber also includes strands of optical fiber existing in aerial or underground structure which have lightwave repeater (regenerator or optical amplifier) equipment interspliced to it at appropriate distances, but which has no line terminating elements terminated to such strands to operationalize its transmission capabilities

14.1.3. GTE is not responsible for the end-to-end performance in those applications where Sprint is utilizing unused transmission media.

##### 14.2. **Requirements**

14.2.1. GTE shall make available, for lease by Sprint, its dark fiber in the feeder segment of GTE's loops and, when Sprint has collocation space in a GTE tandem or end office, in the dedicated interoffice transport segment of GTE's network, subject to the conditions and requirements set forth in sections 14.2.2 through 14.3.2.

14.2.1.1. Sprint will bear the cost of extending dark fiber in the feeder segment of GTE's network to Sprint end-user premises or Sprint's facility access locations within the loop access network.

- 14.2.2. GTE shall provide a Single Point of Contact (SPOC) for negotiating all Unused Transmission Media lease agreements.
- 14.2.3. Sprint may test the quality of the Unused Transmission Media to confirm its usability and performance specifications. Sprint may only test from its point of physical collocation, Sprint's end-user premises or Sprint's facility access locations at which Sprint has access to such unused Transmission Media. For virtual collocation applications, GTE will perform test(s) on the dark fiber as requested by Sprint and provide the results of the test(s) to Sprint, at Sprint's expense. Should such test results not meet Sprint specifications, GTE will only be obligated to perform those maintenance activities it would have performed for itself.
- 14.2.4. Upon receipt of a bona fide request, GTE shall provide to Sprint information regarding the location, availability of Unused Transmission Media within twenty (20) business days after receiving a request for a specific location from Sprint.
- 14.2.5. GTE shall make Unused Transmission Media available to Sprint within twenty (20) business days after it receives written confirmation from Sprint that the Unused Transmission Media previously deemed available by GTE is wanted for use by Sprint at the price established by the Commission or at an agreed upon lease price if the Commission does not establish a price. If a written confirmation is not received from Sprint within thirty (30) business days after verification of availability, GTE may make such Unused Transmission Media available for its own use or, may make it available to another requesting party.
- 14.2.6. In leasing loop feeder dark fiber and dedicated interoffice dark fiber to Sprint, GTE will allocate its dark fiber capacity among requesting CLECs on a first-come, first-served basis and in a competitively neutral manner.

14.3. **Requirements Specific to Dark Fiber**

- 14.3.1. Sprint will provide sufficient fiber cable from their LGX located in their physical collocation space to allow GTE personnel to terminate the GTE LGX. Where Sprint is obtaining access to dark fiber through virtual collocation, Sprint will provide the appropriate electronic equipment to terminate the fiber and GTE will provide the cross connection of the fiber to Sprint's equipment at Sprint's expense.

14.3.2.

In those applications where Sprint requests optical regenerators, such regeneration will be provided by GTE on a case by case basis with additional costs to be borne by Sprint. However, in all events, Sprint may provide its own optical regenerators within Sprint's physical/virtual collocation space.

## APPENDIX A

1. The Network Interface Device (NID) shall be provided to Sprint in accordance with the following technical references:
  - 1.1 Bellcore Technical Advisory TA-TSY-000120 "Customer Premises or Network Ground Wire";
  - 1.2 Bellcore Generic Requirement GR-49-CORE "Generic Requirements for Outdoor Telephone Network Interface Devices";
  - 1.3 Bellcore Technical Requirement TR-NWT-00239 "Indoor Telephone Network Interfaces";
  - 1.4 Bellcore Technical Requirement TR-NWT-000937 "Generic Requirements for Outdoor and Indoor Building Entrance"; and,
  - 1.5 Bellcore Technical Requirement TR-NWT-000133 "Generic Requirements for Network Inside Wiring."
  
2. The Loop shall be equal to or better than each of the applicable interface requirements set forth in the following technical references:
  - 2.1 Bellcore TR-NWT-000049, "Generic Requirements for Outdoor Telephone Network Interface Devices," Issued December 1, 1994;
  - 2.2 Bellcore TR-NWT-000057, "Functional Criteria for Digital Loop Carrier Systems," Issued January 2, 1993;
  - 2.3 Bellcore TR-NWT-000393, "Generic Requirements for ISDN Basic Access Digital Subscriber Lines";
  - 2.4 Bellcore TR-NWT-000253, SONET Transport Systems: Common Criteria (A module of TSGR, FR-NWT-000440), Issue 2, December 1991;
  - 2.5 AT&T Data Communications Technical Reference TR 62310, DS0 Digital Local Channel Description and Interface Specification, August 1993; Also Addendum 1 and Addendum 2; and

- 2.6 AT&T Technical Reference TR 62411, ACCUNET T1.5 Service Description and Interface Specification, December 1990; Addendum 1, March 1991; Addendum 2, October 1992.
- 2.7 AT&T Technical Reference TR 62421, ACCUNET Spectrum of Digital Services Description and Interface Specification, December 1989; Also TR 62421A Addendum 2, November 1992.
- 2.8 ANSI T1.106 - 1988, American National Standard for Telecommunications - Digital Hierarchy - Optical Interface Specifications (Single Mode).
- 2.9 ANSI T1.105 - 1995, American National Standard for Telecommunications - Synchronous Optical Network (SONET) - Basic Description including Multiplex Structure, Rates and Formats.
- 2.10 ANSI T1.102 - 1993, American National Standard for Telecommunications - Digital Hierarchy - Electrical Interfaces.
- 2.11 ANSI T1.403- 1989, American National Standard for Telecommunications - Carrier to Customer Installation, DS1 Metallic Interface Specification
- 2.12 Bellcore GR-253-CORE, Synchronous Optical Network Systems (SONET), Common Generic Criteria.
- 2.13 AT&T Technical Reference TR 54014, ACCUNET T45 Reserved Services - Service Description and Interface Specification, May 1992.
- 2.14 AT&T Technical Reference TR 54018, ACCUNET T155 Service Description and Interface Specification.
- 2.15 Bellcore TR-TSY-000008, Digital Interface Between the SLC 96 Digital Loop Carrier System and a Local Digital Switch, Issue 2, August 1987.
- 2.16 Bellcore TR-NWT-000303, Integrated Digital Loop Carrier System Generic Requirements, Objectives and Interface, Issue 2, December 1992; Rev.1, December 1993; Supplement 1, December 1993.
- 2.17 Bellcore TR-TSY-000673, Operations Systems Interface for an IDLC System, (LSSGR) FSD 20-02-2100, Issue 1, September 1989.

- 2.18 AT&T Technical Reference TR-62415 "Access Specifications for High Capacity DS1/DS3 Dedicated Digital Service";
- 2.19 Bellcore Technical Requirement TR-NWT-000499, Issue 5, December 1993, section 7 for DS1 interfaces.
  
- 3. Local Switching shall be equal to or better than the requirements for Local Switching set forth in Bellcore's Local Switching Systems General Requirements (FR-NWT-000064) and shall be offered in accordance with the requirements of the following technical references:
  - 3.1 GR-1298-CORE, AIN Switching System Generic Requirements;
  - 3.2 GR-1299-CORE, AIN Switch-Service Control Point (SCP)/Adjunct Interface Generic Requirements;
  - 3.3 TR-NWT-001284, AIN 0.1 Switching System Generic Requirements;
  - 3.4 SR-NWT-002247, AIN Release 1 Update.
  
- 4. Interface to Loop Requirements:
  - 4.1 Basic Rate Interface ISDN adhering to ANSI standards Q.931, Q.932 and appropriate Bellcore Technical Requirements;
  - 4.2 Primary Rate ISDN to PBX adhering to ANSI standards Q.931, Q.932 and appropriate Bellcore Technical Requirements;
  - 4.3 Loops adhering to Bellcore TR-NWT-08 and TR-NWT-303 specifications to interconnect Digital Loop Carriers.
  
- 5. Interface to Loop for ISDN Requirements
  - 5.1 GTE shall provide the BRI U interface using 2 wire copper loops in accordance with TR-NWT-000393, January 1991, Generic Requirements for ISDN Basic Access Digital Subscriber Lines.
  - 5.2 GTE shall provide the BRI interface using Digital Subscriber Loops adhering to Bellcore TR-NWT-303 specifications to interconnect Digital Loop Carriers.

- 5.3 GTE shall offer PSD interfaces adhering to the X.25, S.75 and S.75' ANSI and Bellcore requirements.
6. At a minimum, Common Transport shall be provided to Sprint in accordance with the following technical references (as applicable for the transport technology being used):
- 6.1 ANSI T1.101-1994, American National Standard for Telecommunications - Synchronization Interface Standard Performance and Availability;
- 6.2 ANSI T1.102-1993, American National Standard for Telecommunications - Digital Hierarchy - Electrical Interfaces;
- 6.3 ANSI T1.102.01-199x, American National Standard for Telecommunications - Digital Hierarchy - VT1.5;
- 6.4 ANSI T1.105-1995, American National Standard for Telecommunications - Synchronous Optical Network (SONET) - Basic Description including Multiplex Structure, Rates and Formats;
- 6.5 ANSI T1.105.01-1995, American National Standard for Telecommunications - Synchronous Optical Network (SONET) - Automatic Protection Switching;
- 6.6 ANSI T1.105.02-1995, American National Standard for Telecommunications - Synchronous Optical Network (SONET) - Payload Mappings;
- 6.7 ANSI T1.105.03-1994, American National Standard for Telecommunications - Synchronous Optical Network (SONET) - Jitter at Network Interfaces;
- 6.8 ANSI T1.105.03a-1995, American National Standard for Telecommunications - Synchronous Optical Network (SONET): Jitter at Network Interfaces - DS1 Supplement;
- 6.9 ANSI T1.105.05-1994, American National Standard for Telecommunications - Synchronous Optical Network (SONET) - Tandem Connection;
- 6.10 ANSI T1.105.06-199x, American National Standard for Telecommunications - Synchronous Optical Network (SONET) - Physical Layer Specifications;



- 6.11 ANSI T1.105.07-199x, American National Standard for Telecommunications - Synchronous Optical Network (SONET) - Sub STS-1 Interface Rates and Formats;
- 6.12 ANSI T1.105.09-199x, American National Standard for Telecommunications - Synchronous Optical Network (SONET) - Network Element Timing and Synchronization;
- 6.13 ANSI T1.106-1988, American National Standard for Telecommunications - Digital Hierarchy - Optical Interface Specifications (Single Mode);
- 6.14 ANSI T1.107-1988, American National Standard for Telecommunications - Digital Hierarchy - Formats Specifications;
- 6.15 ANSI T1.107a-1990 - American National Standard for Telecommunications - Digital Hierarchy - Supplement to Formats Specifications (DS3 Format Applications);
- 6.16 ANSI T1.107b-1991 - American National Standard for Telecommunications - Digital Hierarchy - Supplement to Formats Specifications;
- 6.17 ANSI T1.117-1991, American National Standard for Telecommunications - Digital Hierarchy - Optical Interface Specifications (SONET) (Single Mode - Short Reach);
- 6.18 ITU Recommendation G.707, Network node interface for the synchronous digital hierarchy (SDH);
- 6.19 ITU Recommendation G.704, Synchronous frame structures used at 1544, 6312, 2048, 8488 and 44736 kbit/s hierarchical levels;
- 6.20 Bellcore FR-440 and TR-NWT-000499, Transport Systems Generic Requirements (TSGR): Common Requirements;
- 6.21 Bellcore GR-820-CORE, Generic Transmission Surveillance: DS1 & DS3 Performance;
- 6.22 Bellcore GR-253-CORE, Synchronous Optical Network Systems (SONET); Common Generic Criteria;
- 6.23 Bellcore TR-NWT 000507, Transmission, Section 7, Issue 5 (Bellcore, December 1993). (A module of LSSGR, FR-NWT-000064.);

- 6.24 Bellcore TR-INS-000342, High-Capacity Digital Special Access Service-Transmission Parameter Limits and Interface Combinations, Issue 1 February 1991;
- 6.25 Bellcore ST-TEC 000052, Telecommunications Transmission Engineering Textbook, Volume 2: Facilities, Third Edition, Issue 1 May 1989;
- 6.26 Bellcore ST-TEC-000051, Telecommunications Transmission Engineering Textbook Volume 1: Principles, Third Edition. Issue 1 August 1987;
  
- 7. At a minimum, Dedicated Transport shall be provided to Sprint in accordance with the following technical references:
  - 7.1 ANSI T1.105.04-1995, American National Standard for Telecommunications - Synchronous Optical Network (SONET) - Data Communication Channel Protocols and Architectures;
  - 7.2 ANSI T1.119-1994, American National Standard for Telecommunications - Synchronous Optical Network (SONET) - Operations, Administration, Maintenance, and Provisioning (OAM&P) Communications;
  - 7.3 ANSI T1.119.01-1995, American National Standard for Telecommunications - Synchronous Optical Network (SONET) - Operations, Administration, Maintenance, and Provisioning (OAM&P) Communications Protection Switching Fragment;
  - 7.4 ANSI T1.119.02-199x, American National Standard for Telecommunications - Synchronous Optical Network (SONET) - Operations, Administration, Maintenance, and Provisioning (OAM&P) Communications Performance Monitoring Fragment;
  - 7.5 ANSI T1.231-1993 -American National Standard for Telecommunications - Digital Hierarchy - Layer 1 In-Service Digital Transmission performance monitoring.
  - 7.6 AT&T Technical Reference TR 54016, Requirements For Interfacing Digital Terminal Equipment To Services Employing The Extended Superframe Format, September 1989;

- 7.7 AT&T Technical Reference TR 62421 ACCUNET Spectrum of Digital Services Description And Interface Specification, December 1989 and all addenda;
- 7.8 AT&T Technical Reference TR 62310, DS0 Digital Local Channel Description And Interface Specification, August 1993 and all addenda; and
- 7.9 AT&T Technical Reference TR 62415, Access Specification For High Capacity (DS1/DS3) Dedicated Digital Service, June 1989 and all addenda.
- 8. Digital Cross-Connect System (DCS) shall be provided to Sprint in accordance with the following technical references:
  - 8.1 AT&T Technical Reference TR 62421 ACCUNET® Spectrum of Digital Services Description And Interface Specification, December 1989 and TR 62421A Addendum 2, November 1992;
  - 8.2 AT&T Data Communications Technical Reference TR 62310 DS0 Digital Local Channel Description and Interface Specification, August 1993, and all addendums;
  - 8.3 AT&T Technical Reference TR 62415 Access Specification For High Capacity (DS1/DS3) Dedicated Digital Service, June 1989, and all addendums including TR 62415A3 July, 1992;
  - 8.4 AT&T Technical Reference TR 62411 ACCUNET® T1.5 Service Description And Interface Specification, December 1990 and all addendums including Addendum 2, October 1992;
  - 8.5 AT&T Technical Reference TR 54014 ACCUNET® T45 and T45 Reserved Services - Service Description And Interface Specification;
  - 8.6 AT&T Technical Reference TR 54018 OC-3 Optical Interface Specifications, November 1991;
  - 8.7 AT&T Technical Reference TR 54016 Requirements For Interfacing Digital Terminal Equipment To Services Employing The Extended Superframe Format, September 1989;
  - 8.8 ANSI T1.102-1993, American National Standard for Telecommunications - Digital Hierarchy - Electrical Interfaces;

- 8.9 ANSI T1.102.01-199x, American National Standard for Telecommunications - Digital Hierarchy - VT1.5;
- 8.10 ANSI T1.105-1995, American National Standard for Telecommunications - Synchronous Optical Network (SONET) - Basic Description including Multiplex Structure, Rates and Formats;
- 8.11 ANSI T1.105.03-1994, American National Standard for Telecommunications - Synchronous Optical Network (SONET) - Jitter at Network Interfaces;
- 8.12 ANSI T1.105.03a-1995, American National Standard for Telecommunications - Synchronous Optical Network (SONET): Jitter at Network Interfaces - DS1 Supplement;
- 8.13 ANSI T1.105.06-199x, American National Standard for Telecommunications - Synchronous Optical Network (SONET) - Physical Layer Specifications;
- 8.14 ANSI T1.106-1988, American National Standard for Telecommunications - Digital Hierarchy - Optical Interface Specifications (Single Mode);
- 8.15 ANSI T1.107-1988, American National Standard for Telecommunications - Digital Hierarchy - Formats Specifications;
- 8.16 ANSI T1.107a-1990 - American National Standard for Telecommunications - Digital Hierarchy - Supplement to Formats Specifications (DS3 Format Applications);
- 8.17 ANSI T1.107b-1991 - American National Standard for Telecommunications - Digital Hierarchy - Supplement to Formats Specifications;
- 8.18 ANSI T1.117-1991, American National Standard for Telecommunications - Digital Hierarchy - Optical Interface Specifications (SONET) (Single Mode - Short Reach);
- 8.19 ANSI T1.403-1989, Carrier to Customer Installation, DS1 Metallic Interface Specification;
- 8.20 ANSI T1.404-1994, Network-to-Customer Installation - DS3 Metallic Interface Specification;
- 8.21 ITU Recommendation G.707, Network node interface for the synchronous digital hierarchy (SDH);

- 8.22 ITU Recommendation G.704, Synchronous frame structures used at 1544, 6312, 2048, 8488 and 44736 kbit/s hierarchical levels;
  - 8.23 FR-440 and TR-NWT-000499, Transport Systems Generic Requirements (TSGR): Common Requirements;
  - 8.24 GR-820-CORE, Generic Transmission Surveillance: DS1 & DS3 Performance;
  - 8.25 GR-253-CORE, Synchronous Optical Network Systems (SONET); Common Generic Criteria; and
  - 8.26 TR-NWT-000776, Network Interface Description for ISDN Customer Access.
9. Signaling Transfer Points (STPs) shall be provided to Sprint in accordance with the following technical references:
- 9.1 ANSI T1.111-1992 American National Standard for Telecommunications - Signaling System Number 7 (SS7) - Message Transfer Part (MTP);
  - 9.2 ANSI T1.111A-1994 American National Standard for Telecommunications - Signaling System Number 7 (SS7) - Message Transfer Part (MTP) Supplement;
  - 9.3 ANSI T1.112-1992 American National Standard for Telecommunications - Signaling System Number 7 (SS7) - Signaling Connection Control Part (SCCP);
  - 9.4 ANSI T1.115-1990 American National Standard for Telecommunications - Signaling System Number 7 (SS7) - Monitoring and Measurements for Networks;
  - 9.5 ANSI T1.116-1990 American National Standard for Telecommunications - Signaling System Number 7 (SS7) - Operations, Maintenance and Administration Part (OMAP);
  - 9.6 ANSI T1.118-1992 American National Standard for Telecommunications - Signaling System Number 7 (SS7) - Intermediate Signaling Network Identification (ISNI);
  - 9.7 Bellcore GR-905-CORE, Common Channel Signaling Network Interface Specification (CCSNIS) Supporting Network

Interconnection, Message Transfer Part (MTP), and Integrated Services Digital Network User Part (ISDNUP); and

- 9.8 Bellcore GR-1432-CORE, CCS Network Interface Specification (CCSNIS) Supporting Signaling Connection Control Part (SCCP) and Transaction Capabilities Application Part (TCAP).
  
- 10. SCPs/Databases shall be equal to or better than all of the requirements for SCPs/Databases set forth in the following technical references:
  - 10.1 GR-246-CORE, Bell Communications Research Specification of Signaling System Number 7, ISSUE 1 (Bellcore, December 1995);
  - 10.2 GR-1432-CORE, CCS Network Interface Specification (CCSNIS) Supporting Signaling Connection Control Part (SCCP) and Transaction Capabilities Application Part (TCAP). (Bellcore, March 1994);
  - 10.3 GR-954-CORE, CCS Network Interface Specification (CCSNIS) Supporting Line Information Database (LIDB) Service 6, Issue 1, Rev. 1 (Bellcore, October 1995);
  - 10.4 GR-1149-CORE, OSSGR Section 10: System Interfaces, Issue 1 (Bellcore, October 1995) (Replaces TR-NWT-001149);
  - 10.5 GR-1158-CORE, OSSGR Section 22.3: Line Information Database 6, Issue (Bellcore, October 1995)
  - 10.6 GR-1428-CORE, CCS Network Interface Specification (CCSNIS) Supporting Toll Free Service (Bellcore, May 1995); and
  - 10.7 BOC Notes on the RLEC Networks, SR-TSV-002275, ISSUE 2, (Bellcore, April 1994).
  
- 11. Signalling Transfer Points (STPs) shall offer SS7 AIN Access in accordance with the requirements of the following technical references:
  - 11.1 GR-2863-CORE, CCS Network Interface Specification Supporting Advanced Intelligent Network (AIN);

- 11.2 GR-2902-CORE, CCS Network Interface Specification (CCSNIS) Supporting Toll-Free Service Using Advanced Intelligent Network (AIN).
  
- 12. Tandem Switching shall meet or exceed the following technical references:
  - 12.1 Bell Communications Research TR-TSY-000540 issue 2R2, Tandem Supplement, 6/1/90.
  - 12.2 GR-905-CORE covering CCSNIS;
  - 12.3 GR-1429-CORE for call management features; and GR-2863-CORE and GR-2902-CORE covering CCS AIN interconnection.
  
- 13. GTE performance under Section 13 of Attachment 2 shall meet or exceed the performance standards and requirements set forth in the technical references listed below;
  - 13.1 Bell Communications Research, Inc. Documents
    - 13.1.1 FR-64, LATA Switching Systems Generic Requirements (LSSGR). This document contains 117 Technical References and Generic Requirements. Sections provide the requirements for local switching systems (also referred to as end offices) that serve customers' lines. Some modules of the LSSGR are also referenced separately in this document.
    - 13.1.2 TR-NWT-000499, Issue 5, Rev 1, April 1992, Transport Systems Generic Requirements (TSGR): Common Requirements.
    - 13.1.3 TR-NWT-000418, Issue 2, December 1992, Generic Reliability Assurance Requirements For Fiber Optic Transport Systems.
    - 13.1.4 TR-NWT-000057, Issue 2, January 1993, Functional Criteria for Digital Loop Carriers Systems.
    - 13.1.5 TR-NWT-000507, Issue 5, December 1993, LSSGR - Transmission, Section 7.
    - 13.1.6 GR-303-CORE, Issue 1, September 1995, Integrated Digital Loop Carrier System Generic Requirements, Objectives, and Interface.

- 13.1.7 GR-334-CORE, Issue 1, June 1994, Switched Access Service: Transmission Parameter Limits and Interface Combinations.
- 13.1.8 TR-NWT-000335, Issue 3, May 1993, Voice Grade Special Access Services - Transmission Parameter Limits and Interface Combinations.
- 13.1.9 TR-TSY-000529, Issue 2, July 1987, Public Safety - LSSGR.
- 13.1.10 GR-1158-CORE, Issue 2, October 1995, OSSGR Section 22.3: Line Information Database.
- 13.1.11 TR-TSY-000511, Issue 2, July 1987, Service Standards, a Module (Section 11) of LATA Switching Systems Generic Requirements (LSSGR, FR-NWT-000064).
- 13.1.12 TR-NWT-000393, January 1991, Generic Requirements for ISDN Basic Access Digital Subscriber Lines.
- 13.1.13 TR-NWT-000909, December 1991, Generic Requirements and Objectives for Fiber In The Loop Systems.
- 13.1.14 TR-NWT-000505, Issue 3 , May 1991, LSSGR Section 5, Call Processing.
- 13.1.15 FR-NWT-000271, 1993, Operator Services Systems Generic Requirements (OSSGR).
- 13.1.16 TR-NWT-001156, Issue 2, July 1993, OSSGR Operator Services Systems Generic Requirements, Section 21, Operator Subsystem.
- 13.1.17 SR-TSY-001171, Issue 1, January 1989, Methods and Procedures for System Reliability Analysis.
- 13.1.18 Bellcore Telecommunications Transmission Engineering, 3rd Ed, 1990.
- 13.2 ANSI Standards
  - 13.2.1 ANSI T1.512-1994, Network Performance - Point-to-Point Voice-Grade Special Access Network Voiceband Data Transmission Objectives.
  - 13.2.2 ANSI T1.506-1990, Network Performance - Transmission Specifications for Switched Exchange Access Network.



- 13.2.3 ANSI T1.508-1992, Telecommunications - Network Performance - Loss Plan for Evolving Digital Networks. Also supplement T1.508a-1993.
- 13.2.4 ANSI T1.101-1994, Digital Synchronization Network Plan.
- 13.3 TIA/EIA Standards
  - 13.3.1 Requirements not specifically addressed here shall be found in the documents listed in Electronic Industries Association/Telecommunications Industries Association Standards and Engineering Publications.
  - 13.3.2 TIA/EIA TSB-37A, Telephone Network Transmission Model for Evaluating Modem Performance.
  - 13.3.3 TIA/EIA TSB-38, Test Procedure for Evaluation of 2-wire 4 kHz Voiceband Duplex Modems.
- 13.4 IEEE Standards
  - 13.4.1 IEEE Standard 743-1984, IEEE Standard Methods and Equipment for Measuring Transmission Characteristics of Analog Voice Frequency Circuits.
  - 13.4.2 ANSI/IEEE Standard 820-1984, Telephone Loop Performance Characteristics.
- 13.5 AT&T Standards
  - 13.5.1 Outside Plant Engineering Handbook, August 1994.
  - 13.5.2 AT&T Pub. 60220, Issue 1, April 1991, 5ESS OSPS Interface Technical Specification for Domestic Toll And Assistance Applications.
  - 13.5.3 AT&T Technical Reference TR 43202, May 1985, AT&T Analog Voice Total and Coordinated Services.
  - 13.5.4 AT&T Technical Reference TR 41458, April 1990, Special Access Connection to the AT&T Network.
  - 13.5.5 AT&T Technical Reference TR 62415, June 1989, Access Specification For High Capacity (DS1/DS3) Dedicated Digital Service. Also TR 62415A2 November 1990, and TR 62415A3 July 1992 which are addenda to TR 62415.

- 13.5.6 AT&T Technical Reference TR 54016, September 1989, Requirements For Interfacing Digital Terminal Equipment To Services Employing The Extended Superframe Format.
- 13.5.7 AT&T Technical Reference TR 62411, December 1990, ACCUNET T1.5 Service Description And Interface Specification. Also Addendum 1 March 1991 and Addendum 2 October 1992.
- 13.5.8 AT&T Technical Reference TR 62421, December 1989, ACCUNET Spectrum of Digital Services Description And Interface Specification. Also TR 62421A Addendum 2 November 1992.
- 13.5.9 AT&T Data Communications Technical Reference TR 62310, August 1993, DS0 Digital Local Channel Description And Interface Specification. Also Addendum 2 November 1992.
- 13.5.10 AT&T Technical Reference TR 54014, 1992, ACCUNET T45 and T45 Reserved Services - Service Description And Interface Specification.
- 13.5.11 AT&T Technical Reference TR 54018, most current issue, ACCUNET T155 Service Description And Interface Specification.
  
- 14. The protocol interface requirements for SS7 Network Interconnection include the MTP, ISDNUP, SCCP, and TCAP. These protocol interfaces shall conform to the following specifications:
  - 14.1 Bellcore GR-905-CORE, Common Channel Signaling Network Interface Specification (CCSNIS) Supporting Network Interconnection, Message Transfer Part (MTP), and Integrated Services Digital Network User Part (ISDNUP);
  - 14.2 Bellcore GR-1428-CORE, CCS Network Interface Specification (CCSNIS) Supporting Toll Free Service;
  - 14.3 Bellcore GR-1429-CORE, CCS Network Interface Specification (CCSNIS) Supporting Call Management Services; and
  - 14.4 Bellcore GR-1432-CORE, CCS Network Interface Specification (CCSNIS) Supporting Signaling Connection Control Part (SCCP) and Transaction Capabilities Application Part (TCAP).
  - 14.5 GTE shall set message screening parameters to block accept messages from Sprint local or tandem switching systems destined

to any signaling point in the GTE SS7 network with which the Sprint switching system has a legitimate signaling relation.

15. SS7 Network Interconnection shall be provided to Sprint in accordance with the following technical references:
  - 15.1 ANSI T1.110-1992 American National Standard Telecommunications - Signaling System Number 7 (SS7) - General Information;
  - 15.2 ANSI T1.111-1992 American National Standard for Telecommunications - Signaling System Number 7 (SS7) - Message Transfer Part (MTP);
  - 15.3 ANSI T1.111A-1994 American National Standard for Telecommunications - Signaling System Number 7 (SS7) - Message Transfer Part (MTP) Supplement;
  - 15.4 ANSI T1.112-1992 American National Standard for Telecommunications - Signaling System Number 7 (SS7) - Signaling Connection Control Part (SCCP);
  - 15.5 ANSI T1.113-1995 American National Standard for Telecommunications - Signaling System Number 7 (SS7) - Integrated Services Digital Network (ISDN) User Part;
  - 15.6 ANSI T1.114-1992 American National Standard for Telecommunications - Signaling System Number 7 (SS7) - Transaction Capabilities Application Part (TCAP);
  - 15.7 ANSI T1.115-1990 American National Standard for Telecommunications - Signaling System Number 7 (SS7) - Monitoring and Measurements for Networks;
  - 15.8 ANSI T1.116-1990 American National Standard for Telecommunications - Signaling System Number 7 (SS7) - Operations, Maintenance and Administration Part (OMAP);
  - 15.9 ANSI T1.118-1992 American National Standard for Telecommunications - Signaling System Number 7 (SS7) - Intermediate Signaling Network Identification (ISNI);
  - 15.10 Bellcore GR-905-CORE, Common Channel Signaling Network Interface Specification (CCSNIS) Supporting Network

Interconnection, Message Transfer Part (MTP), and Integrated Services Digital Network User Part (ISDNUP);

- 15.11 Bellcore GR-954-CORE, CCS Network Interface Specification (CCSNIS) Supporting Line Information Database (LIDB) Service;
- 15.12 Bellcore GR-1428-CORE, CCS Network Interface Specification (CCSNIS) Supporting Toll Free Service;
- 15.13 Bellcore GR-1429-CORE, CCS Network Interface Specification (CCSNIS) Supporting Call Management Services; and,
- 15.14 Bellcore GR-1432-CORE, CCS Network Interface Specification (CCSNIS) Supporting Signaling Connection Control Part (SCCP) and Transaction Capabilities Application Part (TCAP).

ATTACHMENT 3

SERVICE DESCRIPTION: ANCILLARY FUNCTIONS

TABLE OF CONTENTS

| <u>Section</u>   | <u>Page</u> |
|--|-------------|
| <b>SERVICE DESCRIPTION: ANCILLARY FUNCTIONS.....</b>       | <b>1</b>    |
| <b>1. Introduction.....</b>                                | <b>1</b>    |
| <b>2. Collocation .....</b>                                | <b>1</b>    |
| <b>3. Poles, Ducts, Conduits, Rights of Way (ROW).....</b> | <b>9</b>    |

SERVICE DESCRIPTION: ANCILLARY FUNCTIONS

1. Introduction

This Attachment sets forth the descriptions and requirements for Ancillary Functions that GTE agrees to offer to Sprint under this Agreement.

2. Collocation

2.1 Definition: Collocation is the right of Sprint to obtain dedicated space in GTE's Local Serving Office (LSO) or other GTE locations and to place equipment in such spaces to interconnect with the GTE network or obtain access to unbundled network elements. Collocation also includes GTE providing resources necessary for the operation and economical use of collocated equipment.

2.1.1 Terms: - GTE will provide collocation to Sprint under the terms of its applicable collocation tariff. In addition, GTE agrees that the terms and conditions set forth in this Section 2 shall apply to physical collocation provided to Sprint.

2.2 Technical Requirements

2.2.1 Upon request by Sprint, GTE shall provide space as required by the FCC tariff on Expanded Interconnection Service.

2.2.1.1 GTE will not restrict Sprint's access to existing space for collocation on the basis of GTE plans for future use of that space, except on terms and conditions for reserving future space that are made available to all collocating carriers who wish to hold space for future use and that do not favor GTE over such other carriers. If GTE refuses to release to Sprint space which GTE has reserved for itself, GTE shall demonstrate with appropriate documentation and other supporting evidence that it has specific plans for the use of the space. Sprint will pay for any space reserved for future use in accordance with such non-discriminatory terms for reserving collocation space and in accordance with the pricing terms of Attachment 14 and future order of the Commission.

2.2.1.2 GTE is not required to construct additional space when none is available to meet a physical collocation request. However, in determining whether space is available to meet a request for physical collocation, GTE will offer contiguous space to Sprint where available. GTE will also take Sprint and other collocator demand into account

when renovating existing facilities and constructing or leasing new facilities.

- 2.2.2 GTE shall provide intraoffice facilities (e.g., DS0, DS1, DS3, OC3, OC12, OC48, and STS-1 terminations) as requested by Sprint to meet Sprint's need for placement of equipment, interconnection, or provision of service.
- 2.2.3 Other than reasonable security restrictions, where Sprint's physical collocated space is located in space that is partitioned separately from GTE facilities, GTE shall place no restriction on access to the Sprint collocated space by Sprint's employees and designated agents. Such space shall be available to Sprint designated agents twenty-four (24) hours per day each day of the week. Where Sprint's collocated space is located in space that is not partitioned separately from GTE's facilities, GTE shall provide Sprint designated personnel escort service to and from Sprint's collocated space, at Sprint's expense. Such escort service shall be available twenty-four (24) hours per day each day of the week. In no case should any reasonable security restrictions be more restrictive than those GTE places on their own personnel.
- 2.2.4 GTE will not place any restrictions on Sprint's use of its collocated space, other than limitations specified in this Agreement or limitations based on space availability and reasonable security requirements, applied in a nondiscriminatory manner. Sprint may collocate the amount and type of equipment in its collocated space that is necessary for interconnection functions (which include interconnection with GTE's network and other collocated carriers or access to GTE's unbundled network elements), including but not limited to transmission equipment, multiplexing equipment, and remote switching units ("RSUs"); provided, however, that Sprint may not collocate enhanced services equipment or fully equipped switching equipment (host class 5 switches), nor may it use physically collocated RSUs to avoid payment of access charges.
- 2.2.5 GTE shall allow the interconnection of Sprint to other carriers who have collocated space within GTE's facility (e.g., GTE shall not require Sprint to interconnect with other carriers outside of GTE's facilities). This connection will be provisioned using EISCC (expanded interconnection service cross connect jumper) and will be priced as set forth in Attachment 14.
- 2.2.6 Sprint may select its own vendors for all required engineering and installation services associated with its physically collocated equipment

subject to GTE's reasonable restrictions on third party vendors that GTE has decertified with good cause. GTE shall maintain and provide Sprint with a list of all such decertified vendors. Notwithstanding GTE decertification of a third party vendor, Sprint may use such vendor for work associated with its collocated equipment if such vendor is the only third party vendor reasonably available to Sprint to perform such work. In no event shall GTE require Sprint to utilize GTE's internal engineering or installation work forces for the engineering and installation of Sprint's physically collocated equipment.

- 2.2.7 GTE shall provide basic telephone service with a connection jack as requested by Sprint from GTE for the collocated space. Upon Sprint's request, this service shall be available at the Sprint collocated space on the day that the space is turned over to Sprint by GTE.
- 2.2.8 GTE shall provide adequate lighting, ventilation, power, heat, air conditioning, and other environmental conditions for Sprint's space and equipment. These environmental conditions shall adhere to Bell Communication Research (Bellcore) Network Equipment-Building System (NEBS) standards TR-EOP-000063.
- 2.2.9 [This section intentionally deleted.]
- 2.2.10 GTE shall provide all ingress and egress of fiber and power cabling to Sprint collocated spaces in compliance with Sprint's cable diversity standards. The specific level of diversity required for each site or Network Element will be provided in the collocation request. Sprint will pay for the provision of such diversity if Sprint's requirements exceed those provided by GTE for itself in such site or to such Network Element. In such event, the price will be established on an individual case basis in accordance with the applicable GTE intrastate access tariff. Sprint will also pay for the provision of such diversity in circumstances where Sprint's requirements do not exceed those provided by GTE for itself in such site or to such Network Element, but where capacity does not exist in the fiber or power cabling to accommodate the provision of diversity requested by Sprint. In such circumstances, the price will be established on an individual case basis in accordance with the applicable GTE intrastate access tariff.
- 2.2.11 This Section 2.2.11 left intentionally blank.
- 2.2.12 GTE shall adhere to the DMOQs, set forth in Attachment 12.



- 2.2.13 GTE will provide answers to Sprint's Environmental, Health & Safety Questionnaire at the first contact meeting for each collocated space in each building in which collocated space is provided.
- 2.2.14 GTE shall provide Sprint with written notice at least two (2) business days prior to those instances in which GTE or its subcontractors may be performing non-emergency work in the general area of the collocated space occupied by Sprint, or in the general area of the AC and DC power plants which support Sprint equipment that is, or potentially may be, service affecting. GTE will inform Sprint by telephone of any emergency related activity that GTE or its subcontractors may be performing in the general area of the collocated space occupied by Sprint, or in the general area of the AC and DC power plants which support Sprint equipment. GTE will use diligent efforts to notify Sprint of any emergency related activity prior to the start of the activity so that Sprint can take any action required to monitor or protect its service.
- 2.2.15 GTE shall construct the collocated space in compliance with Sprint's collocation request for cable holes, ground bars, doors, and convenience outlets as long as such request is in compliance with Applicable Laws and GTE's grounding requirements. To the extent that such request involves additional work beyond that required to construct the standard GTE collocation space, the price for such construction will be on an individual case basis or as established in accordance with Attachment 14.
- 2.2.16 Sprint and GTE will complete an acceptance walk through of all collocated space requested from GTE. Exceptions that are noted during this acceptance walk through shall be corrected by GTE within five (5) business days after the walk through. The correction of these exceptions from the original collocation request shall be at GTE's expense.
- 2.2.17 GTE shall provide Telephone Equipment detailed drawings depicting the exact location, type, and cable termination requirements (i.e., connector type, number and type of pairs, and naming convention) for GTE Point of Termination Bay(s) to Sprint at the first mutually scheduled GTE/Sprint collocation meeting with respect to the specific request which meeting shall occur within thirty five (35) days of Sprint's request for collocated space, except in unusual cases.

- 2.2.18 GTE shall provide Telephone Equipment detailed drawings depicting the exact path, with dimensions, for Sprint Outside Plant Fiber ingress and egress into Sprint collocated space at the first mutually scheduled collocation meeting which meeting shall occur within thirty five (35) days of Sprint's request for collocated space, except in unusual cases. Such path and any areas around it in which Sprint must work to perform installation shall be free of friable asbestos, lead paint (unless encapsulated), radon and other health or safety hazards.
- 2.2.19 GTE shall provide detailed power cabling connectivity information including the sizes and number of power feeders to Sprint no later than five (5) days in advance of the first mutually scheduled collocation meeting.
- 2.2.20 GTE shall provide positive confirmation to Sprint when construction of Sprint collocated space is approximately 50% completed. This confirmation shall also include confirmation of the scheduled completion and turnover dates.
- 2.2.21 GTE will make every reasonable effort to meet the negotiated completion and turnover dates, which dates shall be no greater than 120 days from the original collocation request, except in unusual cases or in instances where GTE is precluded from meeting such dates because of delay caused by the need to obtain building permits, despite the use of every reasonable effort by GTE to obtain such permits in time to meet the negotiated dates.
- 2.2.22 GTE shall provide the following information to Sprint no later than five (5) business days in advance of the first mutually scheduled collocation meeting:
- 2.2.22.1 Work restriction guidelines.
- 2.2.22.2 GTE or Industry technical publication guidelines that impact the design of Sprint collocated equipment.
- 2.2.22.3 GTE contacts (names and telephone numbers) for the following areas:
- Engineering
  - Physical & Logical Security
  - Provisioning
  - Billing
  - Operations
  - Site and Building Managers
  - Environmental and Safety

- 2.2.22.4 Escalation process for GTE representatives (names, telephone numbers and the escalation order) for any disputes or problems that might arise pursuant to Sprint's collocation.
- 2.2.23 Power as referenced in this Attachment 3 refers to any electrical power source supplied by GTE for Sprint equipment. It includes all superstructure, infrastructure, and overhead facilities, including, but not limited to, cable, cable racks and bus bars. GTE will supply power to support Sprint equipment at equipment specific DC and AC voltages. At a minimum, GTE shall supply power to Sprint at parity with that provided by GTE to itself or to any third party. If GTE performance, availability, or restoration falls below industry standards, GTE shall bring itself into compliance with such industry standards as soon as technologically feasible.
  - 2.2.23.1 Central office power supplied by GTE into the Sprint equipment area, shall be supplied in the form of power feeders (cables) on cable racking into the designated Sprint equipment area. The power feeders (cables) shall efficiently and economically support the requested quantity and capacity of Sprint equipment. The termination location shall be mutually agreed upon by the Parties.
  - 2.2.23.2 GTE shall provide power as requested by Sprint to meet Sprint's need for placement of equipment, interconnection, or provision of service.
  - 2.2.23.3 GTE power equipment supporting Sprint's equipment shall:
    - 2.2.23.3.1 Comply with applicable industry standards (e.g., Bellcore, NEBS and IEEE) or manufacturer's equipment power requirement specifications for equipment installation, cabling practices, and physical equipment layout;
    - 2.2.23.3.2 Have redundant DC power through battery back-up as required by the equipment manufacturer's specifications for Sprint equipment, or, at minimum, at parity with that provided for similar GTE equipment;
    - 2.2.23.3.3 GTE shall immediately notify Sprint if an alarm condition exists with respect to such monitoring or if backup power has been engaged for any power supporting Sprint's equipment;
  - 2.2.23.4 Provide central office ground, in accordance with GTE's grounding requirements; and

- 2.2.23.5 Provide power feeder capacity and quantity to support the equipment layout for Sprint equipment in accordance with Sprint's collocation request.
- 2.2.23.6 GTE shall:
  - 2.2.23.6.1 Provide installation sequences and access that will allow installation efforts in parallel without jeopardizing personnel safety or existing Sprint services;
  - 2.2.23.6.2 Provide power plant alarms that adhere to Bell Communication Research (Bellcore) Network Equipment-Building System (NEBS) standards TR-EOP-000063;
  - 2.2.23.6.3 Provide cabling that adheres to Bell Communication Research (Bellcore) Network Equipment-Building System (NEBS) standards TR-EOP-000063;
  - 2.2.23.6.4 Provide Lock-Out Tag Out and other electrical safety procedures and devices in accordance with OSHA or industry guidelines.
- 2.2.23.7 GTE will provide Sprint with written notification within ten (10) business days of any scheduled non-emergency AC or DC power work or related activity in the collocated facility that will or might cause an outage or any type of power disruption to Sprint equipment located in the GTE facility. GTE will use diligent efforts to notify Sprint by telephone of any emergency power activity that would impact Sprint equipment.
- 2.2.23.8 With respect to any work to provide or prepare collocation space (including, without limitation, power supplies and cage construction) proposed to be performed by GTE or its subcontractors or vendors on behalf of Sprint:
  - 2.2.23.8.1 GTE shall, within thirty (30) days after a request by Sprint, provide Sprint with a written price for any such work. The price will be accompanied by the following written information: (a) any terms under which the work is proposed to be performed, (b) a reasonably detailed breakdown or explanation of costs underlying the price, and (c) a reasonably detailed description of the technical specifications of the work to be performed. Sprint must approve the price, terms, cost breakdown and technical specifications prior to any work being performed.

- 2.2.23.8.2 Following completion of the work, Sprint and GTE will complete an acceptance walk through of the collocated space in accordance with Section 2.2.16.
- 2.2.24 GTE shall be required to take Sprint demand for collocation space into account when expanding, adding to or altering existing facilities and constructing or leasing new facilities.
- 2.3 Technical References - GTE shall provide collocation in accordance with the following standards:
  - 2.3.1 Institute of Electrical and Electronics Engineers (IEEE) Standard 383, IEEE Standard for Type Test of Class 1 E Electric Cables, Field Splices, and Connections for Nuclear Power Generating Stations.
  - 2.3.2 National Electrical Code (NEC) use latest issue.
  - 2.3.3 TA-NPL-000286, NEBS Generic Engineering Requirements for System Assembly and Cable Distribution, Issue 2, (Bellcore, January 1989).
  - 2.3.4 TR-EOP-000063 Network Equipment-Building System (NEBS) Generic Equipment Requirements, Issue 3, March 1988.
  - 2.3.5 TR-EOP-000151, Generic Requirements for 24-, 48-, 130-, and 140-Volt Central Office Power Plant Rectifiers, Issue 1, (Bellcore, May 1985).
  - 2.3.6 TR-EOP-000232, Generic Requirements for Lead-Acid Storage Batteries, Issue 1 (Bellcore, June 1985).
  - 2.3.7 TR-NWT-000154, Generic Requirements for 24-, 48-, 130, and 140-Volt Central Office Power Plant Control and Distribution Equipment, Issue 2, (Bellcore, January 1992).
  - 2.3.8 TR-NWT-000295, Isolated Ground Planes: Definition and Application to Telephone Central Offices, Issue 2, (Bellcore, July 1992).
  - 2.3.9 TR-NWT-000840, Supplier Support Generic Requirements (SSGR), (A Module of LSSGR, FR-NWT-000064), Issue 1, (Bellcore, December 1991).
  - 2.3.10 TR-NWT-001275 Central Office Environment Installations/Removal Generic Requirements, Issue 1, January 1993.
  - 2.3.11 Underwriters' Laboratories Standard, UL 94.

3. **Poles, Ducts, Conduits, Rights of Way (ROW)**

3.1 **Definitions**

3.1.1 An "Attachment" is any placement of Sprint's Facilities in or on GTE's poles, ducts, conduits, or rights of way.

3.1.2 A "conduit" is a tube or protected trough that may be used to house communication or electrical cables. Conduit may be underground or above ground and may contain one or more inner ducts.

3.1.3 A "duct" is a single enclosed path to house facilities to provide telecommunications services.

3.1.4 For the purpose of this Section 3, the terms "Facility" and "Facilities" include anchors, pole hardware, wires, cables, strands, apparatus enclosures, equipment boxes, optical conductors and associated hardware and other telecommunications equipment located on or in a Structure.

3.1.4.1 For purposes of this Section 3, the terms "Structure" and "Structures" refer to poles, ducts, conduits and ROW, to the extent owned or controlled by GTE.

3.1.5 An "inner duct" is one of the single enclosed pathways located within a duct, or buried separately without the benefit of conduit.

3.1.6 The term "make ready work" refers to all work performed or to be performed to prepare GTE's conduit systems, poles or anchors and related facilities for the requested occupancy or attachment of Sprint's Facilities. "Make ready work" includes, but is not limited to, clearing obstructions, the rearrangement, transfer, replacement, and removal of existing Facilities on a pole or in a conduit system where such work is required solely to accommodate Sprint's Facilities and not to meet GTE's business needs or convenience. "Make ready work" may include the repair, enlargement, or modification of GTE's Structures (including, but not limited to, conduits, ducts, or manholes) or the performance of other work required to make a pole, anchor, conduit or duct usable for the initial placement of Sprint's Facilities.

3.1.7 A "manhole" is a subsurface enclosure that personnel may enter and use for the purpose of installing, operating, maintaining and repairing communications Facilities.

- 3.1.8 A "pole attachment" is the connection of a Facility to a utility pole.
- 3.1.9 A "Right of Way" ("ROW") is the right to use the land or other property of another party to place poles, conduits, cables, other structures and equipment, or to provide passage to access such structures and equipment. A ROW may run under, on, or above public or private property (including air space above public or private property) and may include the right to use discrete space in buildings, building complexes, or other locations. The existence of a ROW shall be determined in accordance with Applicable Law.
- 3.2 General Duties**
- 3.2.1 GTE shall make poles, ducts, conduits, and ROW available to Sprint for Attachments under the terms and conditions set forth in this Section 3.
- 3.2.2 GTE shall provide Sprint equal and non-discriminatory access to pole space, ducts, inner ducts, conduit, and ROW, as provided below, it owns or controls. Such access shall be provided to Sprint on terms and conditions as favorable as is provided by GTE to itself or to any other party. Further, GTE shall not preclude or delay allocation of these Structures to Sprint because of the potential needs of itself or of other parties, except as provided below. This general duty is subject to any agreements or easements that would prohibit GTE from providing such access on specific pole space, ducts, conduit, or ROW to Sprint. If GTE determines that access to specific pole space, ducts, conduit, or ROW is precluded by an agreement or easement, Sprint shall have the right to review the pertinent provisions of the agreement or easement.
- 3.2.3 GTE will not enter into any agreements with owners that restrict the ability of the owner to reach agreements with Sprint regarding access to ROW and ancillary pathways to the customer, such as entrance facilities, cable vaults, telephone closets, equipment rooms, risers, and other similar passageways.
- 3.2.4 GTE shall provide to Sprint a Regional Single Point of Contact to resolve issues that arise in the implementation of this Agreement.
- 3.2.5 Excepting maintenance and emergency ducts as provided below, all useable but unused space on poles, conduits, ducts or ROW owned or controlled by GTE shall be available for the attachments of Sprint, GTE or other providers of Telecommunications Services or cable television systems; provided, however, GTE may exclude or condition access for

reasons of safety, reliability and generally applicable engineering standards, provided that such exclusions and conditions are consistent with those that GTE applies to its own use of poles, ducts, conduits and ROW. Neither Sprint, GTE nor any other person may reserve space on GTE owned or controlled poles, conduits, ducts or ROW for its future needs, unless GTE permits Sprint, GTE or any other person to reserve space on GTE-owned or controlled poles, conduits, ducts or ROW for specific planned projects over the same time period. To the extent that GTE decides to permit such reservations it shall do so in a nondiscriminatory and competitively neutral manner and shall not favor itself or any of its affiliates and it shall notify Sprint in writing 30 days in advance of implementing such decision of the reservation process it intends to follow. Such reservations may only be for specific projects for which a party, including GTE or any of its affiliates, can demonstrate a specific commitment by producing detailed engineering plans. GTE may reserve for emergency and maintenance purposes one duct in each conduit section of its facility routes. Such duct shall be equally accessible and available by any party with Facilities in such conduit section to use to maintain its Facilities or to restore them in an emergency.

### **3.3 Pre-Ordering Disclosure Requirements**

3.3.1 Sprint may request information regarding the availability and conditions of poles, ducts, conduits, and ROW prior to the submission of Attachment Requests. GTE shall provide information regarding the availability and condition of GTE's poles, ducts, conduits, or ROW for Attachments within thirty (30) business days. If it is unable to inform Sprint about availability and conditions within the thirty-day interval, GTE shall advise Sprint within ten (10) days after receipt of Sprint's information request and will seek a mutually satisfactory time period for GTE's response. If GTE's response requires a field-based survey, Sprint shall have the option to be present at the field-based survey and GTE shall provide Sprint at least twenty-four (24) hours notice prior to the start of such field survey. During and after this period, GTE shall allow Sprint personnel to enter manholes and view pole structures to inspect such structures in order to confirm usability or assess the condition of the structure.

3.3.2 GTE shall make available to Sprint for inspection marked street maps and as-built drawings showing existing poles, conduit or other ROW at GTE's area engineering offices, upon reasonable advance notification. If the Parties can ascertain the availability of a specific point-to-point route at the time of viewing, GTE will make the maps and pole prints



available for copying. In making these maps and prints available, GTE makes no express or implied warranty as to the accuracy of these maps and prints, other than to represent that they are the maps and prints GTE uses in its day-to-day operations. GTE reserves the right to deny subsequent requests to see previously viewed maps and prints if Sprint does not have a good faith intention to submit an Attachment Request relating to the areas described.

3.3.3 Sprint shall pay GTE a reasonable administrative fee to cover the direct cost of providing conduit maps and prints.

### 3.4 **Attachment Requests**

3.4.1 GTE agrees to permit Sprint to place Sprint's Facilities on or in GTE's poles, ducts, conduits, and ROW pursuant to Attachment Requests from Sprint approved in accordance with this Section 3.4 on the terms and conditions set forth herein. GTE may not restrict Sprint's ability to construct, maintain and monitor its facilities at these sites to any greater extent than GTE restricts its own ability to construct, maintain and monitor the same facilities.

3.4.2 For access to GTE owned or controlled poles, Sprint will follow this process: (a) Sprint forwards a completed pole attachment inquiry/request form to GTE; (b) GTE reviews inquiry/request form and verifies the availability of space and communicates availability information back to Sprint within 30 business days; (c) Sprint decides whether it wants space; (d) If Sprint wants space, it will provide three (3) copies of maps, pole lease application and permit, permit compliance letter, rearrangement worksheet ("make ready" sheet); (e) Sprint will provide a check to cover the costs of GTE inspection and the first year's rent pro-rated to the next (annual) billing period. At this point, Sprint is guaranteed space and GTE opens a work order; (f) GTE uses make ready sheets to inspect the poles for proper build and identification of possible infractions. This process could take up to 45 days depending upon the size of the job; (g) GTE provides to Sprint a corrected copy of the make ready sheets and gives Sprint permission to start its build; (h) Sprint has 60 to 90 days to begin construction, but can start construction immediately upon receiving permission; (i) After construction is complete Sprint will notify GTE. GTE will complete a final inspection and identify infractions on a "gig" sheet provided back to Sprint. Sprint has 30 days to fix infractions; and (j) Sprint will notify GTE when work is complete and GTE will do one last inspection and close work order.

3.4.3 For access to GTE owned or controlled ducts or conduit, Sprint will follow this process: (a) Sprint forwards a completed conduit/duct occupancy inquiry/request form to GTE; (b) GTE reviews inquiry/request form for availability, but not integrity of conduit/duct and communicates availability information back to Sprint within 30 business days; (c) Sprint decides whether it wants conduit/duct, and if so requests to know the integrity of the conduit/duct. Prior to integrity verification, GTE will require either an engineering deposit or an escrow account for the inspector's or single source provider's (SSP) time; (d) Upon receipt of the deposit or escrow funds, Sprint can request GTE (SSP) to pull a slug through the duct to validate integrity. If and when requested, GTE will do so and will also attach a mule tape to the back end of the slug to get an accurate read (footage) from point A to point B of the conduit/duct. Alternatively, Sprint can have its approved vendor pull a slug with GTE's inspector watching; (e) Once the integrity of the conduit/duct is validated, Sprint will provide a check for the first year's rental associated with the amount of the actual footage to be leased pro-rated to the next (annual) billing period and an engineering design within 30 business days, which will provide procedures for access to the conduit/duct including, but not limited to a gas test procedure, a procedure for dealing with water in manholes which are used to access the conduit/duct, and how Sprint will guard the other Facilities in the manhole during its work. At this point conduit/duct is guaranteed to Sprint; (f) Sprint will access the conduit/duct through a manhole, a cable equipment vault or another mutually agreed means; (g) Sprint will be given 60 to 90 days to start construction, but can start construction immediately, at the point conduit/duct is guaranteed to Sprint; (h) After construction is complete, Sprint will notify GTE; and (i) GTE will complete a visual inspection of the job as well as any inspections during construction that GTE deems are necessary.

3.4.4 GTE's single point of contact will provide or will arrange to provide to Sprint any information known or available to GTE regarding environmental, health and safety matters for each GTE Structure in or on which Sprint seeks an Attachment no later than the time that GTE approves an Sprint Attachment Request. Information is considered available if it is in GTE's possession. GTE represents that the information provided by GTE will be the best information available to GTE at the time the information is provided. GTE does not represent that any information provided reflects the actual condition of the Structure at the time the information is provided, or at the time Sprint enters or seeks an Attachment at the Structure, nor that no change has occurred in such conditions between the time such information is provided and the time Sprint enters or seeks an Attachment at the

Structure, and Sprint acknowledges that no such representations are made, however, GTE shall inform Sprint of any changes in the information provided to Sprint as soon as practicable after the change is known or available to GTE.

**3.5 Authority to Place Attachments**

3.5.1 Before Sprint places any Attachment pursuant to an approved Attachment Request, Sprint shall submit evidence of its authority to erect and maintain the Facilities to be placed on GTE's Structures within the public streets, highways and other thoroughfares or on private property, where such authority is required by law. Sprint shall be solely responsible for obtaining all licenses, authorizations, permits, and consent from federal, state and municipal authorities or private property owners that may be required to place Attachments on GTE's Structures.

3.5.2 GTE shall not unreasonably intervene against or attempt to delay the granting of any licenses, authorizations, permits or consents from federal, state and municipal authorities or private property owners that may be required for Sprint to place its Attachments on or in any poles, ducts, conduits, or rights of way, including those that GTE owns or controls.

3.5.3 If any license, authorization, permit or consent obtained by Sprint from an authority, which for the purposes of this Section 3.5.3 does not include GTE, is subsequently revoked or denied for any reason, permission to attach to GTE's Structures shall terminate immediately and Sprint shall remove its Attachments within the time required by such authorities, or absent such time, within ninety (90) days after Sprint receives notification of revocation or denial. Sprint may, at its option, litigate or appeal any such revocation or denial and if Sprint is diligently pursuing such litigation or appeal, Sprint may continue to maintain its Attachment. In doing so, Sprint agrees to indemnify GTE from and against any and all costs resulting from GTE's continuation of the Attachment which is the subject of such litigation or appeal. If Sprint does not appeal and Sprint fails to remove Sprint's Attachments within the above specified time period, GTE shall have the option to remove Sprint's Attachments and store them in a public warehouse at the expense of and for the account of Sprint without GTE being deemed guilty of trespass or conversion, and without GTE becoming liable for any loss or damage to Sprint's Attachments occasioned thereby. Alternatively, GTE may remove Sprint's Attachments and store them upon GTE's premises, in which event, GTE shall use the

same standard of care to protect Sprint's Attachments that GTE uses for protecting GTE's own facilities and equipment. All reasonable costs incurred by GTE to remove Sprint's Attachments shall be reimbursed to GTE by Sprint upon demand.

### 3.6 **Capacity**

3.6.1 When there is insufficient space on a GTE pole or in a GTE conduit to accommodate an Sprint requested Attachment or occupancy, GTE shall take all reasonable steps to accommodate Sprint's requests for Attachments or occupancy where such access would require expansion of capacity. The costs of modifications required for expansion will be paid as provided in the FCC First Report and Order Paras. 1211-1216 and 47 C.F.R. Sec. 1.1416 pursuant to the terms in Appendix 8 of Attachment 14. If an entity, including GTE (the "attaching entity"), makes an Attachment to the pole or occupies the conduit after the completion of the modification, the attaching entity shall reimburse Sprint in an amount equal to the modification costs attributable to the proportionate use of the attachment or occupancy by the attaching entity.

3.6.2 With GTE's consent, which consent shall not be unreasonably withheld, Sprint may break out of GTE conduit where there is no reasonable engineering alternative. Where required by GTE, GTE shall provide Sprint designated personnel with an escort service at Sprint's expense. Such escort service shall be available twenty-four (24) hours per day, each day of the week. Prior to the start of work, Sprint and the GTE escort will discuss the manner in which the work will be performed and GTE's reasonable requirements for ensuring the integrity of the conduit, protecting the Facilities contained in the conduit, protecting personnel and public safety and for preventing service interruptions. GTE Outside Plant Personnel will determine whether escort services are required on a case by case basis. This determination will be based on Sprint's adherence to GTE's requirements for plant protection procedures and the industry-standard construction and access procedures used by Sprint. Nonetheless, GTE may require escort service in its sound discretion.

3.6.3 GTE shall permit manhole interconnections and breaking out of GTE manholes. Where required by GTE, GTE shall provide Sprint designated personnel with an escort service, at Sprint's expense. Such escort service shall be available twenty-four (24) hours per day each day of the week. Prior to the start of work, Sprint and the GTE escort

will discuss the manner in which the work will be performed and GTE's reasonable requirements for ensuring the integrity of the manhole structure, protecting the Facilities contained in the manhole structure, protecting personnel and public safety and for preventing service interruptions. GTE Outside Plant Personnel will determine whether escort services are required on a case by case basis. This determination will be based on Sprint's adherence to GTE's requirements for plant protection procedures and the industry-standard construction and access procedures used by Sprint. Nonetheless, GTE may require escort service in its sound discretion. GTE reserves the right to deny Sprint requests to break out of manholes where the break out does not occur at precast knockout locations or where the location in which Sprint wants to break out is blocked by cable rack.

- 3.6.4 GTE shall take all reasonable measures to allow access and/or egress to all conduit systems. This shall include but not be limited to GTE's removal, upon Sprint's request and at Sprint's expense by paying GTE the actual costs incurred, of any retired cable from conduit systems to allow for the efficient use of conduit space within a reasonable period of time. If the Parties are unable to agree on what is reasonable (in terms of measures or time intervals), the matter may be submitted according to the Alternate Dispute Resolution Process, described in Attachment 1, by either Party. The costs of removal will be paid as provided in the FCC First Report and Order Paras. 1211-1216 pursuant to the terms in Appendix 8 of Attachment 14. If GTE knowingly permits an entity, including GTE (the "attaching entity"), to occupy the conduit after the completion of the removal, GTE shall notify Sprint and, as a precondition to permitting such occupation, require that the attaching entity show that it has reimbursed Sprint in an amount equal to the modification costs attributable to the proportionate occupancy by the attaching entity, prior to permitting such occupation.
- 3.6.5 [Intentionally deleted]
- 3.6.6 Where a spare inner duct does not exist, GTE shall allow and Sprint shall be required to install all inner ducts in a spare GTE conduit. If another attaching entity, including GTE, uses the inner duct installed by Sprint, GTE shall inform Sprint and such entity shall share in the depreciated cost of the installation of the inner duct in proportion to the amount of the inner duct being used by that entity.
- 3.6.7 GTE shall not attach, or permit other entities to attach Facilities on existing Sprint Facilities without Sprint's prior written consent.

**3.7 Sharing of Rights of Way**

3.7.1 GTE shall offer the use of such ROW it has obtained from a third party to Sprint, to the extent that GTE's agreement or easement with the third party does not prohibit GTE from granting such rights to Sprint. Sprint shall have the right to review the pertinent parts of the agreement or easement between GTE and the third party. In cases where GTE does not have the authority to grant access, GTE shall provide the owner contact information if known to GTE and will not interfere in Sprint's obtaining such access and shall not prevent or delay any third party assignment of rights-of-way to Sprint.

3.7.2 [Intentionally deleted].

**3.8 Emergency Situations**

3.8.1 Within fifteen (15) business days after the Effective Date, GTE shall establish a non-discriminatory priority method to access GTE manholes and conduits in emergency situations.

**3.9 Attachment Fees**

3.9.1 Sprint shall pay to GTE an Attachment Fee, consistent with Applicable Law for each GTE Structure upon which Sprint obtains authorization to place an Attachment.

3.9.2 GTE shall maintain an inventory of the GTE Structures occupied by Sprint based upon the cumulative Facilities specified in all Requests for Attachment approved in accordance with Section 3.4 of this Attachment 3. Sprint shall have the right to remove any Attachment at any time, and it shall be Sprint's sole responsibility to notify GTE of any and all removals by Sprint of its Attachments from GTE's Structures. Such notice shall be provided to GTE at least thirty (30) days prior to the removal of the Attachments and shall take the form of a Notice of Removal. Sprint shall remain liable for an Attachment Fee for each GTE facility included in all approved Attachment Requests until the Attachment is removed by Sprint. GTE may, at its option, conduct a physical inventory of Sprint's Attachments for purposes of determining the Attachment Fees to be paid by Sprint under this section.

**3.10 Additions and Modifications to Existing Attachments**

3.10.1 Sprint shall not modify, add to or replace Facilities on any pre-existing Attachment without first notifying GTE in writing of the intended modification, addition or replacement at least thirty (30) days prior to

the date the activity is scheduled to begin. The required notification shall include: (1) the date the activity is scheduled to begin, (2) a description of the planned modification, addition or replacement, (3) a representation that the modification, addition or replacement will not require any space other than the space previously designated for Sprint's Attachments, and (4) a representation that the modification, addition or replacement will not impair the structural integrity of the Structures and Facilities involved.

- 3.10.2 If the modification, addition or replacement specified by Sprint in its notice will require more space than that allocated to Sprint or will require the reinforcement of replacement of or an addition of support equipment to the Structures or Facilities involved in order to accommodate Sprint's modification, addition or replacement, Sprint will submit a Attachment Request in compliance with this Section in order to obtain authorization for the modification, addition or replacement of its Facilities.

**3.11 Charges for Unauthorized Attachments**

- 3.11.1 It is agreed that a charge equal to two (2) times the amount of the then current Attachment Fee shall be paid by Sprint to GTE for each Unauthorized Attachment to a GTE Structure for the period of time for which the Attachment is unauthorized provided that the lack of authorization as due to the act, or failure to act, of Sprint. Such payment shall be deemed liquidated damages and not a penalty. Sprint also shall pay GTE an Attachment Fee for each Unauthorized Attachment accruing from the date the Unauthorized Attachment was first placed on the GTE Structure. In the event that the date the Unauthorized Attachment was first placed on a GTE Structure cannot be determined, such date shall be deemed the date of the last physical inventory made in accordance with this Agreement or, if no physical inventory has been conducted, the date the first Attachment Request from Sprint was approved in accordance with this Agreement. If Sprint elects to leave the Attachment in place, Sprint also shall pay to GTE all costs incurred by GTE to rearrange any Unauthorized Attachment(s) of Sprint in order to accommodate the Attachment(s) of another party whose Attachment(s) would not have required a rearrangement but for the presence of Sprint's Unauthorized Attachment(s). If Sprint elects to leave the Attachment in place, Sprint shall also pay to GTE all costs incurred by GTE to reinforce, replace or modify a GTE Structure, which reinforcement, replacement or modification was required as a result of the Unauthorized Attachment of Sprint. The Attachment Fee referenced in this subsection shall be determined in the same manner

as such fee would have been determined if the Attachment had been authorized by GTE.

3.11.2 For purposes of this section, an Unauthorized Attachment shall include, but not be limited to: (a) an Attachment on or in any GTE Structure, which Structure is not identified in any Attachment Request approved in accordance with this Attachment 3; (b) an Attachment that occupies more space than that allocated to Sprint by GTE; (c) an addition or modification to a pre-existing Attachment that impairs the structural integrity of the involved GTE Structure or Facilities; (d) an Attachment installed by Sprint for the use of a party other than Sprint. An Unauthorized Attachment does not include an Attachment which Sprint demonstrates was made mistakenly, but in good faith pursuant to an approved Attachment Request for another location(s).

3.12 **Surveys and Inspections of Attachments**

3.12.1 The exact location of Sprint's Attachments on or in GTE's Structures may be determined, at GTE's discretion, through a survey to be made by GTE. If so requested, Sprint and/or any other entity owning or jointly owning the Structures with GTE may participate in the survey. If the survey reveals one or more unauthorized Attachments by Sprint, Sprint shall reimburse GTE all expenses incurred in conducting the survey.

3.12.2 Apart from surveys conducted in accordance with Section 3.12.1 above, GTE shall have the right to inspect any Attachment of Sprint on or in GTE's Structures as conditions may warrant. No joint survey or inspection by GTE shall operate to relieve Sprint of any responsibility, obligation or liability assumed under this Agreement.

3.13 **Notice of Modification or Alteration of Poles by GTE**

If GTE plans to modify or alter any GTE Structures upon which Sprint has Attachments, GTE shall provide Sprint notice of the proposed modification or rearrangement at least sixty (60) days prior to the time the proposed modification or alteration is scheduled to take place. Sprint shall be allowed to participate with GTE in such modification or rearrangement. Sprint shall make all rearrangements of its Facilities within such period of time as is jointly determined to be reasonable by the Parties based on the amount of rearrangements necessary and a desire to minimize chances for service interruption or facility-based service denial to an Sprint customer.

To the extent Sprint benefits from such modification or rearrangement or obtains access to such Structure as a result of the modification,



Sprint shall pay GTE Sprint's proportionate share of the costs incurred. If Sprint has a preexisting Attachment to the modified Structure it shall be deemed to directly benefit from a modification if, after receiving notification of such modification, it adds to or modifies its Attachment. Notwithstanding the foregoing, if Sprint has a preexisting attachment to a Structure it shall not be required to bear any of the costs of rearranging or replacing its Attachment if such rearrangement or replacement is necessitated solely as a result of an additional Attachment or the modification of an existing Attachment sought by a third party or GTE. If Sprint makes an Attachment to the Structure after the completion of the modification, it shall share proportionately in the cost of the modification with GTE and any contributing third parties, if such modification rendered possible the added Attachment.

**3.14 Default and Remedies**

3.14.1 The occurrence of any one of the following shall be deemed a Material Default by Sprint: (a) Failure by Licensee to perform or observe any term, condition, covenant, obligation or provision of this Attachment 3 and such default continues for a period of thirty (30) days after written notice thereof from GTE (provided that if such default is not curable within such thirty (30) period, the period will be extended if Licensee commences to cure such default within such thirty (30) day period and proceeds diligently thereafter to effect such cure); (b) Sprint's knowing use or maintenance of its Attachments in violation of any law or regulation, or in aid of any unlawful act or undertaking; (c) If any authorization which may be required of Sprint by any governmental or private authority for the placement, operation or maintenance of Sprint's Attachments is denied or revoked, and any appeals or other actions for review of such denial or revocation have been completed.

3.14.2 In the event of a Material Default, the provisions of Section 3.18.1 shall apply.

3.14.3 All rights and remedies of GTE set forth in this Agreement shall be cumulative and none shall exclude any other right or remedy, now or hereafter allowed by or available under any statute, ordinance, rule of court, or the common law, either at law or in equity, or both, except that GTE may not exercise any of the remedies set forth in § 3.14.2 if such Material Default is the subject of Alternate Dispute Resolution procedures as set forth in Attachment 1 to the Agreement.

**3.15 Termination of Section 3 by Sprint**

3.15.1 Section 3 of Attachment 3 of this Agreement may be terminated by Sprint any time prior to the expiration of its term by providing written notice to GTE of its intent to terminate not less than ninety (90) days prior to the date such termination is to become effective. Within ninety (90) days after the date this Section 3 is terminated, Sprint shall cause all of its Attachments to be removed from all of GTE's poles. In the event Sprint fails to remove its Attachments as required by this section, GTE shall have the option to remove all such Attachments and store them in a public warehouse or elsewhere at the expense of and for the account of Sprint without GTE being deemed guilty of trespass or conversion, and without GTE becoming liable for any loss or damages to Sprint occasioned thereby.

3.16 **Indemnification**

Sprint shall indemnify GTE as set forth in Section 10 of the General Terms and Conditions of this Agreement.

3.17 **Abandonment**

3.17.1 Nothing in this Agreement shall prevent or be construed to prevent GTE from abandoning, selling, assigning or otherwise disposing of any poles, conduit systems, or other GTE property used for Sprint's Attachments, provided, however, that GTE shall condition any such sale, assignment or other disposition subject to the rights granted to Sprint pursuant to this Agreement. GTE shall promptly notify Sprint of any proposed sale, assignment or other disposition of any Structures or other GTE property used for Sprint's Attachments.

3.18 **Alternate Dispute Resolution**

3.18.1 If GTE has declared Sprint in default of any provisions of this Section 3, or has otherwise notified Sprint that Sprint is not in compliance with the terms of this Section 3, either party may invoke the Alternate Dispute Resolution Process, described in Attachment 1, or the procedures described in the Act, the *FCC's First Interconnection Order*, § 1217-1231 and the FCC's Rules at 47 CFR §1.1401-1.1416. GTE will continue to process Attachment Requests pursuant to this Section 3.18.1 so long as ADR or one of the other procedures described in this section has been initiated and is still pending.

3.18.2 GTE will not be relieved of its obligations to process Attachment Requests by Sprint if Sprint is alleged to be in default of this Section 3 for nonpayment of fees and charges due GTE under this Section 3, so long as such default is (1) the subject of good faith negotiations; (2) the subject of Alternate Dispute Resolution procedures as set forth in

Attachment 1 to the Agreement; or (3) being adjudicated before the FCC or any other court, regulatory body, agency, or tribunal having jurisdiction over such dispute.

**ATTACHMENT 4****PROVISIONING AND ORDERING  
FOR UNBUNDLED ELEMENTS****TABLE OF CONTENTS**

| Section.....  | Page |
|---|------|
| 1. NETWORK DEPLOYMENT .....   | 1    |
| 2. GENERAL PROVISIONING REQUIREMENTS.....                                 | 1    |
| 3. SPECIFIC PROVISIONING PROCESS REQUIREMENTS.....                        | 2    |
| 4. GENERAL ORDERING REQUIREMENTS.....                                     | 3    |
| 5. ORDERING INTERFACES.....   | 5    |
| 6. GTE PROVISION OF INFORMATION.....                                      | 5    |
| 7. ORDER FORMAT AND DATA ELEMENTS FOR INDIVIDUAL NETWORK<br>ELEMENTS..... | 6    |
| 8. ORDER FORMAT AND DATA NETWORK ELEMENTS FOR COMBINATIONS .....          | 7    |
| 9. PERFORMANCE REQUIREMENTS .....   | 7    |

## **Provisioning and Ordering**

### **1. Network Deployment**

- 1.1 GTE shall complete on a timely basis Sprint's orders for Network Elements and Combinations and for services that GTE is required to offer to Sprint pursuant to this Agreement in all its serving areas from and after the Effective Date of this Agreement.
- 1.2 Throughout the term of this Agreement, the quality of the technology, equipment, facilities, processes, and techniques (including, without limitation, such new architecture, equipment, facilities, and interfaces as GTE may deploy) that GTE provides to Sprint under this Agreement must be at least equal in quality to that provided by GTE to itself.

### **2. General Provisioning Requirements**

- 2.1 Sprint may order Network Elements individually and in any combination so long as the combination is technically feasible. Combinations are Network Elements that are specified by Sprint for a geographic area or for a specific customer.
- 2.2 Combinations shall be identified and described by Sprint so that they can be ordered and provisioned together.
- 2.3 Combinations may be ordered by Sprint from GTE on a single order without the need to have Sprint send an order for each Network Element. The Parties agree to negotiate in good faith on the adoption of any subsequent forms or formats approved by the OBF.
- 2.4 GTE shall provide provisioning services to Sprint on the same days/hours that it provides such services to itself. These days currently are Monday through Friday from 8:00 a.m. to 5:00 p.m., within each respective time zone. Sprint may request GTE to provide Saturday, Sunday, holiday, and off-hour provisioning services. If Sprint requests that GTE perform provisioning services at times or on days as stated in the preceding sentence, GTE shall quote, within one (1) day of the request, a cost-based rate for such services. If Sprint accepts GTE's quote, GTE shall perform such provisioning services and Sprint will pay the agreed-upon rates.
- 2.5 GTE shall provide a Single Point of Contact (SPOC) for all ordering and provisioning activities involved in the purchase and provisioning of GTE's Network Elements or Combinations. GTE shall also provide to Sprint a toll-free nationwide telephone number (operational from 8:00 a.m. to 5:00 p.m., Monday through Friday, within each respective time zone) which will be answered by

capable staff trained to answer questions and resolve problems in connection with the provisioning of Network Elements or Combinations, and other orders made under this Agreement.

- 2.6 GTE will recognize Sprint as the customer of record of all Network Elements and Combinations ordered by Sprint and will send all notices, invoices and pertinent information directly to Sprint.

3. **Specific Provisioning Process Requirements**

- 3.1 When requested by Sprint, GTE will schedule installation appointments (GTE employee dispatch) with GTE's representative on the line with Sprint's representative or provide Sprint access to GTE's scheduling system. GTE will provide appropriate training for all its employees who may interface with Sprint's customers.
- 3.2 GTE shall provide intercept and transfer services to Sprint for Sprint Customers on the same basis as such service is available to similarly-situated GTE customers. GTE shall provide a recorded announcement to (i) notify a calling party that the end user customer has transferred to a new telephone number of Sprint and (ii) provide such calling party with details concerning the new telephone number to be dialed to reach the customer. GTE shall provide such announcement for the same length of time that GTE provides intercept or referral information for its customers that have changed telephone numbers.
- 3.3 GTE will provide Sprint with a Firm Order Confirmation (FOC) for each order, as specified in Attachment 12. The FOC will contain an enumeration of Sprint's ordered Network Elements or Combinations (consisting of circuit number, telephone number and/or component ID), PON, version, and GTE's commitment date for order completion (Committed Due Date).
- 3.4 Upon work completion, GTE will provide Sprint electronically (unless otherwise requested by Sprint) with an Order Completion for each order that states when that order was completed. GTE shall respond with specific order detail as enumerated on the FOC and shall state any additional charges (e.g., time and cost charges) up to a previously agreed-upon limit associated with that order that may be applicable.
- 3.5 GTE will perform pre-testing in accordance with industry standards. Where such test results are recorded, they will be provided to Sprint electronically or in writing (as directed by Sprint) at installation/turn-up. Where provision of such test results is not included in the underlying network element charge, Sprint will pay for such test results at GTE's cost.

- 3.6 As soon as identified and unless otherwise agreed, GTE shall provide notification electronically of any rejections or errors contained in any of the Data Element fields contained on any Sprint order.
- 3.7 As soon as identified and unless otherwise agreed, GTE shall provide notification electronically of any instances when GTE's committed due dates are in jeopardy of not being met by GTE on any aspect or feature contained in any Sprint order. GTE shall concurrently indicate its new Committed Due Date.
- 3.8 At Sprint's request, GTE will cooperate with Sprint to test Network Elements or Combinations purchased by Sprint in order to identify any performance problems identified at turn-up, including trouble shooting to isolate any problems. The costs for these items will be included in the underlying costs of the Network Element or Combination.
- 3.9 Sprint will designate the AIN features which GTE is to provide for the Sprint customer on Sprint's provisioning order.
- 3.10 GTE shall not reassign an Sprint Customer's AIN Trigger from an Sprint AIN application to some other service provider's application.

#### 4. **General Ordering Requirements**

- 4.1 Upon Sprint's request through a Suspend/Restore Order, GTE shall suspend or restore the functionality of any Network Element or Combination. GTE shall suspend or restore each Network Element or Combination in a manner that conforms with Sprint's requested priorities and any applicable regulatory policy or procedures at appropriate service order charges to the extent not otherwise included in the underlying element cost.
- 4.2 GTE shall offer to Sprint the functionality of blocking calls (e.g., 800, 900, 976 international calls) by line or trunk.
- 4.3 GTE shall offer separate interLATA and intraLATA capabilities (i.e., 2 PICs where available) on a line or trunk basis.
- 4.4 Unless otherwise directed by Sprint, when Sprint orders a Network Element or technically feasible Combination, all pre-assigned trunk or telephone numbers currently associated with that Network Element or technically feasible Combination shall be retained without loss of feature capability and without loss of the associated Ancillary Functions including, but not limited to, Directory Assistance and 911/E911 capability.
- 4.5 When Sprint orders Network Elements or technically feasible Combinations that are currently interconnected and functional, such Network Elements and technically feasible Combinations will remain interconnected and functional

without any disconnection or disruption of functionality.



5. **Ordering Interfaces**

- 5.1 GTE shall provide to Sprint a Real Time Electronic Interface (EI) for transferring and receiving orders, FOCs, Order Completions, and other provisioning data and materials (e.g., access to Street Address Guide (SAG) and Telephone Number Assignment Data Base) as provided in Section 29.1 of this Agreement.
- 5.2 With the customer authorization required by law, the permanent gateway shall provide Sprint's representatives with Real Time access to GTE customer information systems which will allow the Sprint representatives to perform the following tasks, if such information systems support GTE's retail business:
  - 5.2.1 Obtain Sprint customer profile, including Sprint customer name, billing and residence address, billed telephone numbers, and identification of features and services subscribed to by Sprint's customer;
  - 5.2.2 Obtain information on all features and services available, in the end-office where the Sprint customer is provisioned;
  - 5.2.3 Enter the order for the desired features and services;
  - 5.2.4 Provide an assigned telephone number (if the Sprint customer does not have one assigned). Reservation and aging of these numbers shall remain GTE's responsibility;
  - 5.2.5 Establish the appropriate directory listing;
  - 5.2.6 Determine if a service call is needed to install a line or service;
  - 5.2.7 Provide service availability dates to the Sprint customer;
  - 5.2.8 Provide information regarding dispatch and installation schedules, if applicable;
  - 5.2.9 Suspend, terminate, or restore service to an Sprint customer.

6. **GTE Provision of Information**

- 6.1 GTE shall provide to Sprint upon request and Sprint shall pay the required charge as part of the underlying element:
  - 6.1.1 A list of all services and features technically available from each switch that GTE may provide Local Switching, by switch CLLI;

- 6.1.2 A listing by street address detail of the service coverage area of each switch CLLI;
  - 6.1.3 All engineering design and layout information for each Network Element and Combination;
  - 6.1.4 A listing of all technically available functionalities for each Network Element or Combination; and
  - 6.1.5 Advanced information on the details and requirements for planning and implementation of NPA splits. GTE shall provide such information to Sprint within thirty (30) days from the time the GTE becomes aware of such information.
- 6.2 Within thirty (30) days after the Effective Date of this Agreement, GTE shall provide Sprint with an initial electronic copy and a paper copy of the SAG or its equivalent. Prior to the time that updates are available electronically, updates will be provided to Sprint on a monthly basis. Thereafter, updates shall be provided to Sprint as changes are made to the SAG.

7. **Order Format and Data Elements for Individual Network Elements**

- 7.1 Sprint and GTE shall each use the appropriate Data Elements for the ordering and provisioning of Network Elements and Combinations.
- 7.2 Each order for a Network Element or a Combination will contain the following order-level sections, as then currently defined by the Ordering and Billing Forum (OBF), including, as appropriate, Administration, Bill, and Contact Information. This information is contained on both the ASR and LSR forms. In addition, each Network Element or Combination to be used for a specific Sprint End User customer shall contain the End User Information section.
- 7.3 Sprint and GTE will use the OBF formats defined below for the exchange of ordering and provisioning data for Network Elements or Combinations. Sprint shall use the ASR forms and processes for ordering Network Elements that Sprint will use to serve more than one End User customer and the LSR form and processes for ordering Network Elements that Sprint will use to serve a single End User customer. Sprint and GTE shall use the forms and formats that have been approved by the OBF and, if mutually agreed, those that have reached the "initial closure" status at the OBF. If Sprint needs to order or have provisioned Network Elements or Combinations for which OBF approved or "initial closure" forms and formats do not yet exist, Sprint and GTE shall, within 30 days of a request by either party to do so, jointly develop a proposal for such forms and formats. Sprint and GTE shall use the jointly proposed forms and formats for the exchange of ordering and provisioning data unless the OBF modifies such forms and formats upon "initial closure" or final approval. If the OBF modifies such

forms and formats upon "initial closure" or final approval, Sprint and GTE shall, upon mutual agreement, use the forms and formats as modified by the OBF. If Sprint and GTE do not agree on the interim forms and formats described in this Section, either Party may submit any disputed issues to the Alternative Dispute Resolution process in accordance with this Agreement.

- 7.4 When ordering a Network Element (individually or as part of a technically feasible Combination), the interconnection characteristics and functionality of that Network Element will not be specifically ordered by Sprint and will automatically be provided by GTE.

## **8. Order Format and Data Network Elements for Combinations**

- 8.1 Sprint may purchase Combinations (i) on a case-by-case basis for those Network Elements that are Sprint customer-specific (hereinafter referred to as Customer-Specific Network Elements or Combinations); or (ii) on a common-use basis for those Network Elements that are shared by multiple Sprint customers (hereinafter referred to as Common-Usage Network Elements or Combinations).
- 8.2 When ordering a Combination, Sprint will have the option of ordering all capabilities and functionalities of each of the individual Network Elements that comprise the Combination.
- 8.3 When ordering either Customer-Specific Combinations or Common-Usage Combinations, Sprint may specify the functionality of that Combination without the need to specify the configuration of the individual Network Elements needed to perform that functionality. Sprint will specify the Elements that make up each of the Combinations necessary to satisfy the request.
- 8.4 Prior to providing Local Service in a specific geographic area or when Sprint requires a change of network configuration, Sprint may place an order with GTE requiring GTE to implement the capability. Sprint may request the establishment of Common Usage Network Elements or Combinations by use of the negotiated ordering methods and forms. The initial order requesting Unbundled Switching, recording and associated trunking, which shall be in a mutually agreed format, will be known as a "Footprint Order".

## **9. Performance Requirements**

- 9.1 Sprint will specify on each order its Desired Due Date (DDD) for completion of that particular order. GTE will not complete the order prior to the DDD or later than the DDD unless authorized by Sprint. If the time period from the date of the order to the DDD is less than the intervals for provisioning Network Elements, Combinations and the Footprint Order as set forth in the following table, and is also less than the intervals for provisioning the same or like Network Elements,

Combinations and Footprint Orders that GTE provides to itself or to any third party, the order will be considered an expedited order.

| <b>INTERVALS FOR ORDER COMPLETION</b>  |                                   |
|--|-----------------------------------|
| <u>Network Element, Combination or Footprint Order</u>                                       | <u>Number of Days<sup>1</sup></u> |
| Loop Distribution  |                                   |
| Loop Concentrator/Multiplexer  |                                   |
| Loop Feeder  |                                   |
| Local Switching and Tandem Switching   |                                   |
| Operator System  |                                   |
| Dedicated Transport and Common Transport<br><br>DS0, DS-1, T 1.5<br>STS-1, DS3/T3<br>OC-3, + |                                   |
| Signaling Transfer Points  |                                   |
| Signaling Link Transport   |                                   |
| SCPs/Databases   |                                   |
| Loop Combination   |                                   |
| Footprint Order  |                                   |

9.2 Within two (2) Business Hours after a request from Sprint for an expedited order, GTE shall notify Sprint if GTE will complete, or not complete, the order within the expedited interval. A Business Hour is any hour occurring on Monday through Friday, exclusive of national holidays, between 8 a.m. and 8 p.m. within each respective time zone.

9.3 Once an order has been issued by Sprint and if Sprint subsequently requires a new DDD that is earlier than the original DDD, Sprint will issue an expedited modify order. GTE will notify Sprint within two (2) Business Hours if it will complete, or not complete, the order on the new DDD.

<sup>1</sup> For each of the indicated Network Elements, Combinations and Footprint Orders listed in the Table, the intervals (i.e., number of days) will be established by the Implementation Team within 90 days of the Effective Date of this Agreement.

- 9.4 Sprint and GTE will agree to escalation procedures and contacts. GTE shall notify Sprint of any modifications to these contacts within one (1) week of such modifications.

**ATTACHMENT 5**  
**MAINTENANCE FOR LOCAL SERVICES RESALE**  
**AND UNBUNDLED ELEMENTS**

1. GTE shall provide repair, maintenance, and testing for all Local Services and Unbundled Network Elements and Combinations in accordance with the terms and conditions of this Attachment. In addition, GTE shall provide surveillance for all Local Services and Unbundled Network Elements and Combinations to the same extent that GTE provides such surveillance for itself.
2. GTE shall cooperate with Sprint to meet maintenance standards for all Local Services and Unbundled Network Elements and Combinations ordered under this Agreement, as specified in Section 9 of this Attachment. GTE shall otherwise meet Commission maintenance and repair standards, if any, with respect to Local Services, Unbundled Network Elements and Combinations.
3. GTE shall cooperate with Sprint to establish a Real Time Electronic Interface for gateway or automated access by Sprint to GTE's maintenance systems and databases as provided in Section 29.1 of this Agreement.
4. GTE service technicians and other repair personnel shall provide repair service to Sprint customers that is at least equal in quality to that provided to GTE customers. GTE's operating policies, procedures and practices shall apply in all such repair service situations without regard to whether the customer is a GTE customer or an Sprint customer.
5. For all Local Services, Network Elements and Combinations provided to Sprint under this Agreement, GTE shall provide the same maintenance, including, without limitation, maintenance intervals and procedures, that GTE provides for its own network. GTE shall provide Sprint notice within one business day of the scheduling of any maintenance activity which may impact Sprint's Customers. Scheduled maintenance shall include, without limitation, such activities as, switch software retrofits, power tests, major equipment replacements and cable rolls; provided, however, that such activity is not related to a network or technology change covered elsewhere in this Agreement. Plans for scheduled maintenance shall include, at a minimum, the following information: location and type of facilities, work to be performed, date and time work is scheduled to commence, and date and time work is scheduled to be completed.

6. GTE shall advise Sprint of all non-scheduled maintenance and testing activity to be performed by GTE on any network element, including, without limitation, any hardware, equipment, software, or system, providing service functionality that may reasonably be expected to impact Sprint Customers. GTE shall provide the maximum amount of advance notice to Sprint of such non-scheduled maintenance and testing activity as is reasonably practical, under the circumstances; provided, GTE shall provide emergency maintenance as promptly as possible under the circumstances, to maintain or restore service and shall advise Sprint promptly of any such actions it takes.
  
7. Major network outages will be reported to Sprint via a telephone number designated by Sprint. GTE and Sprint shall work cooperatively on the establishment of emergency restoration procedures. GTE may invite other carriers to join in this effort. In establishing such procedures, consideration shall be given to: (i) provision for immediate notification to Sprint of the existence, location, and source of any emergency network outage potentially affecting customers; (ii) establishment of a single point of contact responsible for initiating and coordinating the restoration of all Local Services and Network Elements or Combinations; (iii) methods and procedures to provide access to information relating to the status of restoration efforts and problem resolution during the restoration process; (iv) an inventory and description of mobile restoration equipment, by location; (v) methods and procedures for the dispatch of mobile equipment to the restoration site; (vi) methods and procedures for reprovisioning of all Local Services and Network Elements or Combinations after initial restoration; (vii) priority, as between Sprint Customers and GTE Customers, with respect to restoration efforts, consistent with FCC Service Restoration guidelines, including, without limitation, deployment of repair personnel, and access to spare parts and components; and (viii) a mutually agreeable process for escalation of maintenance problems, including a complete, up-to-date list of responsible contacts, each available twenty-four (24) hours per day, seven (7) days per week. Said plans shall be modified and up-dated as needed.

For purposes of this subsection, a major network outage is defined as 5,000 or more blocked call attempts in a ten (10) minute period in a single exchange. GTE shall provide timely notification to Sprint of any outage.

8. With respect to misdirected calls from Sprint customers requesting repair, GTE shall refer such Sprint customers to the telephone number designated by Sprint. With respect to misdirected calls from GTE customers requesting repair, Sprint shall refer such GTE customers to the telephone number designated by GTE.

9. GTE's repair bureau shall conform to the following performance and service quality standards when providing repair and maintenance to Sprint and Sprint Customers under this Agreement:
- 9.1 If service is provided to Sprint Customers before a Real Time Electronic Interface is established between Sprint and GTE, Sprint will transmit repair calls to the GTE repair bureau by telephone. In such event, the following standards shall apply: The GTE repair bureau shall answer its telephone and begin taking information from Sprint within twenty (20) seconds of the first ring, eighty percent (80%) of the time. Calls answered by automated response systems, and calls placed on hold, shall be considered not to meet these standards.
- 9.2 GTE's repair bureau, shall be on-line and operational twenty-four (24) hours per day, seven (7) days per week. Sprint and GTE will develop mutually agreed-upon manual processes for repair reporting in the event of unavailability or failure of the Electronic Interface.
- 9.3 GTE's repair bureau shall provide to Sprint the "estimated time to restore" for all DS1 or higher capacity services at performance standard levels determined by the Implementation Team. GTE shall provide all other classes of service restoral commitment(s) as specified in Appendix 2 of Attachment 12 to this Agreement.
- 9.4 Additional maintenance performance measures, described in 9.4.1, 9.4.2 and 9.4.3 following, will be evaluated by the Implementation Team.
- 9.4.1 Where an outage has not reached the threshold defining an emergency network outage, the following quality standards shall apply with respect to restoration of Local Service and Network Elements or Combination:
- Total outages requiring a premises visit by a GTE technician that are received by GTE between 8 a.m. to 6 p.m. on any day shall be restored within four (4) hours of referral, ninety percent (90%) of the time; within eight (8) hours of referral, ninety-five percent (95%) of the time; and within sixteen (16) hours of referral, ninety-nine percent (99%) of the time and Mean time to Restore (MTR) within eight (8) hours.
- Total outages requiring a premises visit by a GTE technician that are received between 6 p.m. and 8 a.m. on any day shall be restored during the following 8 a.m. to 6 p.m. period in accordance with the following performance metrics: within four (4) hours of 8 a.m., ninety percent (90%) of the time; within eight (8) hours of 8 a.m., ninety-five percent (95%) of the time; and within sixteen (16) hours of 8 a.m., ninety-nine percent (99%) of the time and MTR within eight (8) hours.



Total outages which do not require a premises visit by a GTE technician shall be restored within two (2) hours of referral, eighty-five percent (85%) of the time; within three (3) hours of referral, ninety-five percent (95%) of the time; and within four (4) hours of referral, ninety-nine percent (99%) of the time and MTR within two (2) hours.

- 9.4.2 Trouble calls (e.g., related to Local Service or Network Element or Combination degradation or feature problems) which have not resulted in total service outage shall be resolved within twenty-four (24) hours of referral, ninety-five percent (95%) of the time, irrespective of whether or not resolution requires a premises visit. For purposes of this Section, Local service or a Network Element or Combination is considered restored, or a trouble resolved, when the quality of the Local Service or Network Element or Combination is equal to that provided before the outage, or the trouble, occurred.
- 9.4.3 Repeat trouble reports from the same customer in a two-month period shall be less than one percent (1%). Repeat trouble reports shall be measured by the number of calls received by the GTE repair bureau relating to the same telephone line during the current and previous report months.
- 9.5 GTE shall provide progress reports and status of repair efforts to Sprint upon request. GTE shall inform Sprint within one (1) hour of restoration of Local Service or Network Element or Combination after a network outage has occurred. GTE shall clear all repair tickets in compliance with GTE policies and guidelines. GTE shall close all repair tickets, including "test OK" ("TOK") and "Came Clear" ("CC") repair tickets, with the Sprint work centers designated by Sprint on the repair ticket, unless a different notification procedure is mutually agreed to by the Parties. GTE shall make one attempt to notify Sprint of closed repair tickets using a mutually agreed to notification method. At Sprint's option, Sprint shall contact the Customer to verify that the repair has been effected. GTE shall provide Sprint with a list of any applicable charges, as specified in Attachment 14, at the time a repair ticket is closed.
- 9.6 When, in Sprint's judgment, any repair ticket or tickets are not being handled or resolved by GTE personnel in a timely manner, Sprint may escalate the matter for review and resolution under such procedures as are now available or may be established between the Parties during the term of this Agreement.
- 9.7 Except with respect to charges for inside wire maintenance, maintenance charges for premises visits by GTE technicians shall be billed by Sprint to its Customer, and not by GTE. The GTE technician shall present the Customer with an Sprint-branded form. Additional authorization for time and material charges shall be provided by Sprint using the agreed-to notification process.

- 9.8 Dispatching of GTE technicians to Sprint Customer premises shall be accomplished by GTE pursuant to a repair request received from Sprint and non-recurring charges shall apply as provided in Attachment 14. Any additional trips required to an Sprint Customer's premise because the Customer was not ready/available will result in an additional non-recurring charge.
- 9.9 GTE shall furnish Sprint with a single point of contact ("SPOC") for all communications relating to trouble repair and maintenance for POTS services; for special services, GTE will provide Sprint with a single point of contact on a regional basis.

**ATTACHMENT 6**  
**LOCAL SERVICES RESALE, UNBUNDLED NETWORK ELEMENT AND**  
**INTERCONNECTION BILLING AND RECORDING**

1. **GENERAL**

This Attachment contains the provisions applicable to billing and payment of all charges Sprint incurs for purchasing wholesale Local Services for resale and Unbundled Network Elements and Combinations, and the billing and payment procedures to be followed when Sprint is interconnected to GTE Network Facilities. The specific provisions for Local Service Billing are set forth in Appendix A; the specific provisions for Unbundled Network Element billing are set forth in Appendix B; and the specific provisions for Interconnection Billing are set forth in Appendix C.

2. **ADDITIONAL REQUIREMENTS**

The following provisions shall, when applicable, govern Local Service, Unbundled Network Element and Interconnection Bills.

2.1 **BILL ACCURACY CERTIFICATION AND VALIDATION**

2.1.1 The Parties agree that as further set forth in accordance with this Attachment 6 and in order to ensure the proper performance and integrity of the entire Billing process, GTE will be responsible and accountable for transmitting to Sprint accurate and current bills on a monthly basis. GTE agrees to implement control mechanisms and procedures to render a bill that accurately reflects the Elements, Combinations and Local Service ordered and used by Sprint. The Parties agree that under meet point billing both Parties are responsible and accountable for recording and transmitting to the other Party accurate and current billing data as specified in Attachment 6, Appendix C. In addition, the Parties agree to meet monthly or as deemed necessary by either Party to review and resolve potential billing discrepancies.

2.1.2 Sprint and GTE shall use diligent and good faith effort to reach an agreement on the Bill Certification Methodology. The Access Billing Supplier Quality Certification Operating Agreement, dated December 7, 1992, as amended December 16, 1993, between GTE and Sprint shall be used as the model for a Local Service Resale and Unbundling

Billing Certification Operating Agreement. GTE will move to the development of mutually-acceptable bill quality processes by April 30, 1997.

- 2.1.3 Until Bills and Data are certified pursuant to the Local Service Bill Certification Operating Agreement reached under Section 2.1.2 of this Attachment 6, Bill and Data accuracy will be validated through an interim process using a mutually agreed procedures.
- 2.1.4 Subject to GTE's reasonable security requirements and except as may be otherwise specifically provided in this Agreement, Sprint may audit GTE's books, records and other documents pertaining to the services provided to Sprint under this Agreement and billed in accordance with this Attachment 6 once in each Contract Year for the purpose of evaluating the accuracy of GTE's billing, data and invoicing. Sprint may employ other persons or firms for this purpose subject to the confidentiality provisions contained herein. Such audit shall take place at a time and place agreed on by the Parties no later than thirty (30) days after notice thereof to GTE. GTE shall have the right to review such audit and the findings.
- 2.1.5 Upon resolution of the audit, GTE shall promptly correct any error that is revealed in an audit, including making refund of any overpayment by Sprint or recording a charge for underpayment by Sprint, in each instance together with applicable interest, in the form of a credit or a debit on the invoice for the first full billing cycle after the Parties have agreed upon the accuracy of the audit results. Any Disputes concerning audit results shall be resolved pursuant to the Alternate Dispute Resolution procedures described in Attachment 1. Applicable Interest shall be as defined in Section 2.4.1.
- 2.1.6 Each Party shall cooperate fully in any such audit, providing reasonable access to any and all of its appropriate employees and relevant books, records and other documents of the party reasonably necessary to assess the accuracy of Sprint's orders and GTE's bills, data and invoices. Each Party shall bear its own costs and expenses of any audits.

## 2.2 PAYMENT OF CHARGES

- 2.2.1 Subject to the terms of this Agreement, Sprint and GTE will pay each other within thirty (30) calendar days from the Bill Date, or twenty (20)

calendar days from the receipt of the bill, whichever is later. If the payment due date is a Sunday or is a Monday that has been designated a bank holiday by the Chase Manhattan Bank of New York (or such other bank as the Parties specify), payment will be made the next business day. If the payment due date is a Saturday or is on a Tuesday, Wednesday, Thursday or Friday that has been designated a bank holiday by the Chase Manhattan Bank of New York (or such other bank as the Parties specify), payment will be made on the preceding business day.

- 2.2.2 Payments shall be made in U.S. Dollars via electronic funds transfer ("EFT") to the other Party's bank account. At least thirty (30) days prior to the first transmission of billing data and information for payment, GTE and Sprint shall provide each other the name and address of its bank, its account and routing number and to whom Billing payments should be made payable. If such banking information changes, each Party shall provide the other Party at least sixty (60) days written notice of the change and such notice shall include the new banking information. Notwithstanding any permitted assignment of this Agreement, Sprint will provide GTE with only one address to which such payments shall be rendered and GTE will provide to Sprint with only one address to which such payments shall be rendered. In the event Sprint receives multiple Bills from GTE which are payable on the same date, Sprint may remit one payment for the sum of all such Bills payable to GTE's bank account specified in this subsection. Sprint will provide specific account level detail for payment application. Each Party shall provide the other Party with a contact person or center for the handling of Billing payment questions or problems.

## 2.3 **BILLING DISPUTES**

- 2.3.1 Each Party agrees to notify the other Party in writing upon the discovery of a billing dispute. In the event of a billing dispute, the Parties will endeavor to resolve the dispute within sixty (60) calendar days of the Bill Date on which such disputed charges appear. Resolution of the dispute will be attempted at all appropriate levels of management within the Parties respective billing organizations before use of the dispute resolution process in Attachment 1 resulting in a recommendation or settlement of the dispute and closure of a specific billing period.
- 2.3.2 If a Party disputes a Charge and does not pay such charge by the payment due date, such charges shall be subject to late payment

charges as set forth in the Late Payment Charges provision of this Attachment. If a Party disputes Charges and the dispute is resolved in favor of such Party, the other Party shall credit the bill of the disputing Party for the amount of the disputed charges along with any late payment charges applicable no later than the second bill Date after the resolution of the dispute. Accordingly, if a Party disputes Charges and the dispute is resolved in favor of the other Party, the disputing Party shall pay the other Party the amount of the disputed charges and any associated late payment charges applicable no later than the second bill payment due date after the resolution of the dispute. In no event, however, shall any late payment charges be assessed on any previously assessed late payment charges, unless Regulatory rules provide otherwise.

## **2.4 LATE PAYMENT CHARGES**

2.4.1 If either Party fails to pay any Charges in this Attachment by the payment due date, or if a payment or any portion of a payment is received by either Party after the payment due date, or if a payment or any portion of a payment is received in funds which are not immediately available to the other Party, then interest shall be payable as a late payment penalty shall be assessed. The late payment interest rate shall be one and one-half (1 1/2) percent per month, or if lower the highest rate permitted by law, calculated based upon any portion of a payment not received by the payment due date, compounded daily for the number of days from the payment date to and including the date that payment is actually made. In no event, however, shall interest be assessed on any previously assessed late payment charges, unless Regulatory rules provide otherwise.

## **2.5 RECORDING OF CALL INFORMATION**

2.5.1 The Parties agree to record call information in accordance with this subsection. To the extent technically feasible within a Party's existing systems, each Party will record agreed upon call detail information associated with calls originated or terminated to the other Party's local exchange customer. These records shall be provided at a Party's request and shall be formatted pursuant to Bellcore standards and the terms and conditions of this Attachment. These records shall be transmitted as agreed upon to the other Party in EMR format via Connect:Direct capabilities, such records shall be transmitted as the Parties agree. GTE and Sprint agree that they will retain, at each Party's sole expense, copies of all AMA records transmitted to the

other Party for at least seven (7) calendar days after transmission to the other Party.

2.5.2 Each Party will provide the other Party with a carrier identification code ("CIC") on each EMR record transmitted to the other Party. If GTE does not have a CIC for any local exchange carrier, ALEC or IXC for whom GTE must supply to Sprint Connectivity Billing records for information pursuant to this Attachment, GTE agrees that it will assist the local exchanger carrier, ALEC or IC in obtaining a CIC expeditiously. Until the local exchange carrier, ALEC or IXC has received a CIC, GTE agrees that it will submit its CIC to Sprint on those records for billing and payment. GTE further agrees that it will then be responsible for obtaining reimbursement for the respective charges from the appropriate carrier. Likewise, if Sprint does not have a CIC for any local exchange carrier, ALEC or IXC for whom Sprint must supply to GTE Billing records or information pursuant to this Attachment, Sprint agrees that it will assist the local exchange carrier, ALEC or IXC in obtaining a CIC expeditiously. Until the local exchange carrier, ALEC or IXC has received a CIC, Sprint agrees that it will submit its CIC to LEC on those records for billing and payment. Sprint further agrees that it will then be responsible for obtaining reimbursement for the respective charges from the appropriate carrier.

2.5.3 The Parties agree that they will meet the performance measurements for the provision of EMR records in Attachment 12.

2.5.4 The Parties agree that they will provide each other a single point of contact regarding any data exchange problems.

## 2.6 **EXAMINATION OF RECORDS**

2.6.1 Without waiver of and in addition to the Audit rights in the General part of this Agreement, upon reasonable notice and at reasonable times and in accordance with the Access Billing Supplier Quality Certification Operating Agreement, Sprint or its authorized representatives may examine GTE's documents, systems, records and procedures which relate to the billing and recording of the Charges to Sprint under this Attachment 6.

ATTACHMENT 6A

LOCAL SERVICES RESALE, BILLING AND RECORDING

TABLE OF CONTENTS

APPENDIX A..... 1

LOCAL SERVICE RESALE BILLING AND RECORDING..... 1

1. General..... 1

2. Billable Information And Charges ..... 1

3. Issuance of Local Service Bills - General ..... 2

4. Electronic Transmissions of Local Services Bills..... 3

5. Testing Requirements ..... 5



APPENDIX A  
LOCAL SERVICE RESALE BILLING AND RECORDING

1. General

This Section describes the specific requirements for GTE to bill and record all charges Sprint incurs for purchasing wholesale Local Services for resale.

2. Billable Information And Charges

- 2.1 GTE will bill and record in accordance with this Agreement those charges Sprint incurs as a result of Sprint purchasing from GTE wholesale Local Services, as set forth in this Agreement (hereinafter "Local Service Charges"). Each Local Service, purchased by Sprint shall be assigned a separate and unique billing code in the form agreed to by the Parties and such code shall be provided to Sprint on each Local Service Bill in which charges for such Elements, Combinations, or Local Services appear. Each such billing code shall enable Sprint to identify the Local Services ordered or utilized by Sprint in which Local Service Charges apply pursuant to this Agreement. Each Local Service Bill shall set forth the quantity and description of each such Local Service provided and billed to Sprint. All Local Service Charges billed to Sprint must indicate the state from which such charges were incurred.
- 2.2 GTE shall provide Sprint a monthly Local Service Bill that includes all Local Service Charges incurred by and credits and/or adjustments due to Sprint for those Local Services ordered, established, utilized, discontinued or performed pursuant to this Agreement. Each Local Service Bill provided by GTE to Sprint shall include: (1) all non-usage sensitive charges incurred for the period beginning with the current bill date and extending to, but not including, the next bill date, (2) any known unbilled non-usage sensitive charges for prior periods, (3) unbilled usage sensitive charges for the period beginning with the day after the last bill date and extending up to, and including, the current bill date, (4) any known unbilled usage sensitive charges for prior periods, and (5) any known unbilled adjustments. The Local Service Bill shall also include all charges for Primary Interchange Carrier (PIC) changes as a separate item defined by billing telephone number and any associated working telephone number.
- 2.3 The Bill Date must be present on each bill transmitted by GTE to Sprint. Local Service Bills shall not be rendered for any Local Service Charges which are incurred under this Agreement on or before one (1) year preceding the Bill Date except for charges resulting from resolution of an audit conducted pursuant to Section 2.1.4 of Attachment 6. In addition, on each bill where

- "Jurisdiction" is identified, Local Traffic charges shall be identified as "Local" and local toll charges identified as intrastate/intraLATA.
- 2.4 GTE shall bill Sprint for any wholesale Local Service, supplied by GTE to Sprint pursuant to this Agreement at the rates set forth in this Agreement. GTE will bill Sprint based on the actual Local Service Charges incurred, provided, however, for those usage based Local Service Charges where actual charge information is not determinable by GTE because the jurisdiction (i.e., interstate, interstate/interLATA, intrastate, intrastate/intraLATA, local) of the traffic is unidentifiable, the Parties will jointly develop a process to determine the appropriate charges. Measurement of usage-based Local Service Charges shall be actual conversation in tenths of seconds. The total conversation seconds per chargeable traffic types will be totalled for the entire monthly bill cycle and then rounded to the next whole minute.
- 2.5 Except as otherwise specified in this Agreement, each Party shall be responsible for (1) all costs and expenses it incurs in complying with its obligations under this Agreement and (2) the development, modification, technical installation and maintenance of any systems or other infrastructure which it requires to comply with and to continue complying with its responsibilities and obligations under this Agreement.
- 2.6 Each Party shall provide the other Party at no additional charge a contact person or center for the handling of any Local Service Billing questions or problems that may arise during the implementation and performance of the terms and conditions of this Attachment.
3. Issuance of Local Service Bills - General
- 3.1 GTE and Sprint shall issue Local Service Bills as follows:
- 3.1.1 Until July 1, 1998, GTE and Sprint shall issue Local Service Bills via Electronic Data Exchange ("EDI").
- 3.1.2 GTE and Sprint will jointly work together such that on or as soon after July 1, 1998 as possible, GTE and Sprint shall issue all Local Service Bills in accordance with CABS Version 26.0, or such later versions of CABS that are published by Bellcore, or its successor, and the requirements of this Appendix such other version of CABS which becomes industry standard.
- 3.2 GTE and Sprint will establish monthly billing dates ("Bill Date") for each Billing Account Number ("BAN"), and, when appropriate, as further defined in the CABS document, which Bill Date shall be the same day month to month. Each BAN shall remain constant from month to month, unless changed as

agreed to by the Parties. Each Party shall provide the other Party at least thirty (30) calendar days written notice prior to changing, adding or deleting a BAN. The Parties will provide one Local Service Billing invoice associated with each BAN. Each invoice must contain an invoice number (which will vary from month to month). On each bill associated with a BAN, the appropriate invoice number and the charges contained on such invoice must be reflected. All Local Service Bills must be received by the other Party no later than ten (10) calendar days from Bill Date and at least twenty (20) calendar days prior to the payment due date (as described in this Attachment), whichever is earlier. Any Local Service Bill received on a Saturday, Sunday or a day designated as a holiday by the Chase Manhattan Bank of New York (or such other bank as Sprint shall specify) will be deemed received the next business day. If either Party fails to receive Local Service Billing data and information within the time period specified above, the payment due date will be extended by the number of days the Local Service Bill is late.

- 3.3 Each Party will provide the other Party written notice of which Local Service Bills are to be deemed the official bills. If either Party requests an additional copy(ies) of a bill, such Party shall pay the other Party a reasonable fee per additional bill copy, unless such copy was requested due to errors, omissions, or corrections or the failure of the transmission to comply with the specifications set forth in this Agreement.
- 3.4 To avoid transmission failures or the receipt of Local Service Billing information that cannot be processed, the Parties shall provide each other with their respective process specifications and edit requirements. Sprint shall comply with GTE's processing specifications when Sprint transmits Local Service Billing data to GTE. GTE shall comply with Sprint's processing specifications when GTE transmits Local Service Billing data to Sprint. Sprint and GTE shall provide each other reasonable notice if a Local Service Billing transmission is received that does not meet such Party's specifications or that such Party cannot process. Such transmission shall be corrected and resubmitted to the other Party, at the resubmitting Party's sole expense, in a form that can be processed. The payment due date for such resubmitted transmissions will be twenty (20) days from the date that the transmission is received in a form that can be processed and that meets the specifications set forth in this Attachment.
4. Electronic Transmissions of Local Services Bills
- 4.1 GTE and Sprint agree that after July 1, 1998 following implementation of CABS pursuant to Section 3.1.2 of this Appendix A, each Party will transmit Billing information and data in the appropriate CABS format electronically via Connect: Direct (formerly known as Network Data Mover) to the other Party at

the location specified by the Party. The Parties agree that a T1.5 or 56kb circuit to Gateway for Connect: Direct is required. Sprint data centers will be responsible for originating the calls for data transmission via switched 56kb or T1.5 lines. If GTE has an established Connect: Direct link with Sprint, that link can be used for data transmission if the location and applications are the same for the existing link. Otherwise, a new link for data transmission must be established. GTE must provide Sprint/Alpharetta its Connect: Direct Node ID and corresponding VTAM APPL ID before the first transmission of data via Connect:Direct. Sprint's Connect: Direct Node ID is "NDMATTA4" and VTAM APPL ID is "NDMATTA4" and must be included in LEC's Connect:Direct software. Sprint will supply to GTE its RACF ID and password before the first transmission of data via Connect:Direct. Any changes to either Party's Connect: Direct Node ID must be sent to the other Party no later than twenty-one (21) calendar days before the changes take effect.

- 4.2 The following dataset format shall be used as applicable for those Charges transmitted via Connect:Direct in CABS format:

Production Dataset

|                          |  |
|--------------------------|--|
| AF25.AXXXXYYY.AZZZ.DDDEE | Production Dataset Name  |
| AF25=                    | Job Naming Convention  |
| AXXX=                    | Numeric Company Code   |
| YYY=                     | LEC Remote   |
| AZZZ=                    | RAO (Revenue Accounting Office)  |
| DDD=                     | BDT (Billing Data Tape with or without CSR)<br>Or<br>CSR (Customer Service Record) |
| EE=                      | 01 thru 31 (Bill Period) (optional)<br>Or<br>GA (US Postal-State Code)             |

Test Dataset

|                      |  |
|----------------------|--|
| AF25.ATEST.AXXXX.DDD | Test Dataset Name  |
| AF25.ATEST=          | Job Naming Convention  |
| AXXXX=               | Numeric Company Code   |
| DDD=                 | BDT (Billing Data Tape with or without CSR)<br>Or<br>CSR (Customer Service Record) |

4.2.1 GTE agrees that if it transmits data to Sprint in a mechanized format utilizing CABS, GTE will also comply with the following specifications which are not contained in CABS guidelines but which are necessary for Sprint to process Billing information and data:

- The BAN shall not contain embedded spaces or low values.
- The Bill Date shall not contain spaces or non-numeric values.
- Each Bill must contain at least one detail record.
- Any "From" Date should be less than the associated "Thru" Date and neither date can contain spaces.
- The Invoice Number must not have embedded spaces or low values.

5. Testing Requirements

5.1 The Parties will jointly develop a test procedure prior to sending mechanized bills or data to ensure to the satisfaction of each Party that bills may be processed as required in this Agreement.

5.2 GTE shall provide to Paul Reed, located at Sprint Communications Company L.P., 7301 College Blvd.-KSOPKV0213, Overland Park, Kansas 66210, GTE's originating or state level company code so that it may be added to Sprint's internal tables at

5.3 least thirty (30) calendar days prior to testing or prior to a change in GTE's originating or state level company code.

5.4 During the testing period, GTE shall transmit to Sprint any Billing data and information via paper transmission. Test tapes shall be sent to Sprint at the following location:

|             |   |
|-------------|---|
| Test Tapes: | Sprint Communications Company L.P.<br>7301 College Blvd. – KSOPKV0213<br>Overland Park, Kansas 66210<br>Attn: Access Bill Testing Coordinator |
|-------------|---|

**ATTACHMENT 6B**

**UNBUNDLED NETWORK ELEMENTS BILLING AND RECORDING**

**TABLE OF CONTENTS**

APPENDIX B ..... 1

UNBUNDLED NETWORK ELEMENT BILLING AND RECORDING ..... 1

1. General..... 1

2. Billable Information And Charges ..... 1

3. Collocation..... 2

4. Issuance of Unbundled Network Element Bills - General..... 3

5. Electronic Transmissions of Unbundled Network Element Bills..... 4

6. Testing Requirements ..... 4

7. Local Number Portability ..... 4

**APPENDIX B**  
**UNBUNDLED NETWORK ELEMENT BILLING AND RECORDING**

1. **General**

This Section contains the provisions applicable to the billing and recording of all charges Sprint incurs for purchasing Unbundled Network Elements and/or Combinations of Unbundled Network Elements.

2. **Billable Information And Charges**

- 2.1 GTE will bill and record in accordance with this Agreement those Combinations charges Sprint incurs as a result of Sprint purchasing from GTE Unbundled Network Elements and/or Combinations of Unbundled Network Elements as set forth in this Agreement (hereinafter "Unbundled Network Element Charges"). Each such Element, or Combination thereof purchased by Sprint shall be assigned a separate and unique billing code in the form agreed to by the Parties and such code shall be provided to Sprint on each Unbundled Network Element Bill in which charges for such Elements, or Combinations appear. Each such billing code shall enable Sprint to identify the Element(s), or Combinations, Objects and Options as described in Attachment 4 to this Agreement ordered or utilized by Sprint in which Unbundled Network Element Charges apply pursuant to this Agreement. Each Unbundled Network Element Bill shall set forth the quantity and description of each such Element, or Combination provided and billed to Sprint. All Unbundled Network Element Charges billed to Sprint must indicate the state from which such charges were incurred.
- 2.2 GTE shall provide Sprint a monthly Unbundled Network Element Bill that includes all Unbundled Network Element Charges incurred by and credits and/or adjustments due to Sprint for those Elements, or Combination thereof, ordered, established, utilized, discontinued or performed pursuant to this Agreement. Each Unbundled Network Element Bill provided by GTE to Sprint shall include: (1) all non-usage sensitive charges incurred for the period beginning with the day after the current bill date and extending to, and including, the next bill date, (2) any known unbilled non-usage sensitive charges for prior periods, (3) unbilled usage sensitive charges for the period beginning with the last bill date and extending up to, but not including, the current bill date, (4) any known unbilled usage sensitive charges for prior periods, and (5) any known unbilled adjustments.

- 2.3 The Bill Date must be present on each bill transmitted by GTE to Sprint. Unbundled Network Element Bills shall not be rendered for any Unbundled Network Element Charges which are incurred under this Agreement on or before one (1) year preceding the Bill Date, except for charges resulting from an audit conducted pursuant to Section 2.1.4 of Attachment 6. In addition, on each bill where "Jurisdiction" is identified, Local Traffic charges shall be identified as "Local" and local toll charges shall be identified as intrastate/intraLATA.
- 2.4 GTE shall bill Sprint for each Element, or Combination thereof, supplied by GTE to Sprint pursuant to this Agreement at the rates set forth in this Agreement. GTE will bill Sprint based on the actual Unbundled Network Element Charges incurred, provided, however, for those usage based Unbundled Network Element Charges where actual charge information is not determinable by GTE because the jurisdiction (i.e., interstate, interstate/interLATA, intrastate, intrastate/intraLATA, local) of the traffic is unidentifiable, the Parties will jointly develop a process to determine the appropriate charges. Measurement of usage-based Unbundled Network Element Charges shall be in tenths of conversation seconds. The total conversation seconds per chargeable traffic types will be totalled for the entire monthly bill cycle and then rounded to the next whole minute.
- 2.5 Except as otherwise specified in this Agreement, each Party shall be responsible for (1) all costs and expenses it incurs in complying with its obligations under this Agreement and (2) the development, modification, technical installation and maintenance of any systems or other infrastructure which it requires to comply with and to continue complying with its responsibilities and obligations under this Agreement.
- 2.6 Each Party shall provide the other Party at no additional charge a contact person or center for the handling of any Unbundled Network Element Billing questions or problems that may arise during the implementation and performance of the terms and conditions of this Attachment.

3. **Collocation**

When Sprint collocates with GTE in GTE's facility as described in this Agreement, capital expenditures (e.g., costs associated with building the "cage"), shall be billed separately and shall not be included in the Unbundled Network Element Bill provided to Sprint pursuant to this Attachment. All such capital expenses shall be given a unique BAN (as defined in Section 4.2, below) and invoice number. All invoices for capital expenses shall be sent to the location specified by Sprint for payment. All other non-capital recurring



collocation expenses shall be billed to Sprint in accordance with this Agreement. The CABS Billing Output Specifications ("BOS") documents provide the guidelines on how to bill the Unbundled Network Element Charges associated with collocation. The bill label for those collocation charges shall be entitled "Expanded Interconnection Service." For those nonmechanized Unbundled Network Element bills, the bill label for non-capital recurring collocation expenses shall be entitled "Co-location."

4. **Issuance of Unbundled Network Element Bills - General**

4.1 GTE and Sprint shall issue Unbundled Network Element Bills as follows:

4.1.1 Until the availability of CABS in accordance with Section 4.1.2, GTE and Sprint shall issue Unbundled Network Element Local Service Bills via EDI.

4.1.2 GTE and Sprint will jointly work together such that as soon after July 1, 1998, as possible, GTE and Sprint shall issue all Unbundled Network Element Local Service Bills in accordance with CABS Version 26.0, or such later version of CABS that are as published by Bellcore, or its successor, and the requirements of this Appendix or such other version of CABS which becomes industry standard.

4.2 GTE and Sprint will establish monthly billing dates ("Bill Date") for each Billing Account Number ("BAN"), and, when appropriate, as further defined in the CABS document, which Bill Date shall be the same day month to month. Each BAN shall remain constant from month to month, unless changed as agreed to by the Parties. Each Party shall provide the other Party at least thirty (30) calendar days written notice prior to changing, adding or deleting a BAN. The Parties will provide one Unbundled Network Element Billing invoice associated with each BAN. Each invoice must contain an invoice number (which will vary from month to month). On each bill associated with a BAN, the appropriate invoice number and the charges contained on such invoice must be reflected. All Unbundled Network Element Bills must be received by the other Party no later than ten (10) calendar days from Bill Date and at least twenty (20) calendar days prior to the payment due date (as described in this Attachment), whichever is earlier. Any Unbundled Network Element Bill received on a Saturday, Sunday or a day designated as a holiday by the Chase Manhattan Bank of New York (or such other bank as Sprint shall specify) will be deemed received the next business day. If either Party fails to receive Unbundled Network Element Billing data and information within the time period specified above, the payment due date will be extended by the number of days the Unbundled Network Element Bill is late.

4.3 Each Party will provide the other Party written notice of which Unbundled Network Element Bills are to be deemed the official bills. If either Party requests an additional copy(ies) of a bill, such Party shall pay the other Party a reasonable fee per additional bill copy, unless such copy was requested due to errors, omissions, or corrections or the failure of the transmission to comply with the specifications set forth in this Agreement.

4.4 To avoid transmission failures or the receipt of Unbundled Network Element Billing information that cannot be processed, the Parties shall provide each other with their respective process specifications and edit requirements. Sprint shall comply with GTE's processing specifications when Sprint transmits Unbundled Network Element Billing data to GTE. GTE shall comply with Sprint's processing specifications when GTE transmits Unbundled Network Element Billing data to Sprint. Sprint and GTE shall provide each other reasonable notice if a Unbundled Network Element Billing transmission is received that does not meet such Party's specifications or that such Party cannot process. Such transmission shall be corrected and resubmitted to the other Party, at the resubmitting Party's sole expense, in a form that can be processed. The payment due date for such resubmitted transmissions will be twenty (20) days from the date that the transmission is received in a form that can be processed and that meets the specifications set forth in this Attachment.

5. **Electronic Transmissions of Unbundled Network Element Bills**

Electronic Transmission of Unbundled Network Elements will be governed by the same standards and conditions applicable to Local Service Bills, as set forth in Appendix A to this Attachment 6, Section 4.

6. **Testing Requirements**

GTE shall adhere to the same testing requirements and specifications for transmitting Unbundled Network Element Bills as applicable to Local Service Bills, as set forth in Appendix A to this Attachment 6, Section 5.

7. **Local Number Portability**

7.1 In accordance with the terms and conditions set forth in this Attachment 6, GTE shall record and provide to Sprint agreed upon detail information associated with a call to an Sprint local exchange customer whose telephone number has been ported from GTE under INP as further described in the Local Number Portability Attachment to this Agreement.

- 7.2 When an IXC terminates an interLATA or IntraLATA toll call to an Sprint local exchange customer whose telephone number has been ported from GTE, the Parties agree that Sprint shall receive those IXC access charges associated with end office switching, local transport, RIC and CCL, as appropriate, and such other applicable charges. GTE shall be entitled only to receive any access tandem fees and associated local transport charges, and any INP fees (i.e., such as RCF charges) set forth in this Agreement. When a call for which access charges are not applicable is terminated to an Sprint local exchange customer whose telephone number has been ported from GTE the Parties agree that the mutual compensation arrangements described in this Agreement shall apply.

**ATTACHMENT 6C**

**INTERCONNECTION BILLING AND RECORDING**

**TABLE OF CONTENTS**

APPENDIX C..... 1

INTERCONNECTION BILLING AND RECORDING..... 1

1. General..... 1

2. Meet Point Billing..... 1

3. Reciprocal Compensation ..... 3

4. Issuance of Meet Point Billing Data and Mutual Billing Data..... 3

5. Testing Requirements ..... 3

**APPENDIX C**

**INTERCONNECTION BILLING AND RECORDING**

1. **General**

This Section describes the Meet Point Billing and Reciprocal Compensation requirements applicable when Sprint is Interconnected to GTE network facilities.

2. **Meet Point Billing**

2.1 Sprint and GTE will establish meet-point billing ("MPB") arrangements in accordance with the Meet Point Billing guidelines adopted by and contained in the OBF's MECAB and MECOD documents. Both Parties will use their best reasonable efforts, individually and collectively, to maintain provisions in their respective federal and state access tariffs, and/or provisions within the National Exchange Carrier Association ("NECA") Tariff No. 4, or any successor tariff to reflect the MPB arrangements identified in this Agreement, in MECAB and in MECOD.

2.2 Sprint and GTE will implement the "Multiple Bill/Multiple Tariff" option in order to bill any interexchange carrier ("IXC")

2.3 GTE and Sprint shall provide to each other the billing name, billing address, and carrier identification code ("CIC") of the IXCs that may utilize any portion of each other's network in an Sprint/ILEC MPB arrangement in order to comply with the MPB Notification process as outlined in the MECAB document. Such information shall be provided to each other in the format and via the medium that the parties agree. If either party does not initially record sufficient bill detail for any IXC for whom either party must supply to the other MPB billing information, each party agrees that it will assist each other in resolving these billing matters by providing sufficient billing detail to the other party to allow that party to obtain reimbursement from the IXC. GTE and Sprint shall require any new IXC to notify both GTE and Sprint using the existing ASR process in accordance with MECOD ordering guidelines.

2.4 GTE and Sprint agree that in a MPB arrangement where one Party provides local transport and the other Party provides the end office switching, the Party who provides the end office switching is entitled to bill any residual interconnection charges ("RIC") and common carrier line ("CCL") charges associated with the traffic. The Parties further agree that in those MPB situations where one Party sub-tends the other Party's access tandem, the Party providing the access tandem is only entitled to bill the access tandem

fee and any associated local transport charges. The Parties also agree that the Party who provides the end office switching is entitled to bill end office switching fees, local transport charges, RIC and CCL charges, as appropriate, and such other applicable charges.

- 2.5 GTE and Sprint will record and transmit MPB information in accordance with the standards and in the format set forth in this Attachment. GTE and Sprint will coordinate and exchange the billing account reference ("BAR") and billing account cross reference ("BACR") numbers for the MPB arrangements described in this Attachment. Each Party will notify the other if the level of billing or other BAR/BACR elements change, resulting in a new BAR/BACR number.
- 2.6 If MPB data is not processed and delivered by either GTE or Sprint and in turn such Party is unable to bill the IXC for the appropriate charges, the Party who failed to deliver the data will be held liable for the amount of the unbillable charges.
- 2.7 If MPB data is not submitted within fifteen (15) days of their recording or is not in the proper format as set forth in this Attachment, and if as a result the other Party is delayed in billing the IXC for the appropriate charges it incurs, the delaying Party shall pay the other Party a late MPB data delivery charge which will be the total amount of the delayed charges times the highest interest rate (in decimal value) which may be levied by law for commercial transactions, compounded daily for the number of days from the date the MPB charges should have been received to and including the date the MPB charge information is actually received.
- 2.8 Errors in MPB data exchanged by the Parties may be discovered by Sprint, GTE or the billable IXC. Both Sprint and GTE agree to provide the other Party with notification of any discovered errors within two (2) business days of the discovery. The other Party shall correct the error within eight (8) business days of notification and resubmit the data. In the event the errors cannot be corrected within the time period specified above, the erroneous data shall be considered lost. If MPB data is lost due to incorrecable errors or otherwise, the Parties shall follow the procedures set forth in the Customer Billing Data Attachment of this Agreement and compensate the other for the lost MPB billing data.
- 2.9 [Intentionally left blank]
- 2.10 Neither Sprint nor GTE will charge the other for services rendered, or for information required for Collocation as set forth in this Attachment except those MPB charges specifically set forth herein. Both Parties will provide the other a single point of contact to handle any MPB questions.

3. **Reciprocal Compensation**

- 3.1 The Parties shall bill each other reciprocal compensation in accordance with the standards set forth in this Agreement for traffic terminated to the other Party's customer, where both such customers bear NPA-NXX designations associated with the same LATA or other authorized area (e.g., extended area service zones in adjacent LATAs), including those traffic types that have been traditionally referred to as "local calling", as "extended area service (EAS)", and as "intraLATA toll". Where GTE is the recording company, such traffic shall be recorded and transmitted to Sprint in accordance with this Attachment. Further, the traffic exchanged pursuant to this Attachment shall be measured in billing minutes of use and shall be in actual conversation seconds. The total conversation seconds per chargeable traffic type will be totaled for the entire monthly billing cycle and then rounded to the next whole conversation minute. Reciprocal compensation for the termination of this traffic shall be charged at rates specified in Part V and Attachment 14.
- 3.2 In lieu of the reciprocal compensation arrangement described above and where permitted by state law or Commission regulation or order, the Parties may elect in writing to adopt a bill and keep compensation arrangement or such other mutually agreed upon compensation arrangement.

4. **Issuance of Meet Point Billing Data and Mutual Billing Data**

- 4.1 GTE and Sprint shall issue the data required to implement Section 2 of this Appendix (i.e. Meet Point Billing Data) and Section 3 of this Appendix (i.e. Reciprocal Compensation) as provided in EMR format via Connect:Direct as provided in Section 2.5 of this Attachment.

5. **Testing Requirements**

The Parties shall adhere to the same testing requirements and specifications for transmitting Meet Point Billing data and Reciprocal Compensation data as applicable to the recording of Call Information as set forth in Section 2.5 of this Attachment.

**ATTACHMENT 7**

**PROVISION OF CUSTOMER USAGE DATA**

**TABLE OF CONTENTS**

**PROVISION OF CUSTOMER USAGE DATA..... 1**

**1. Introduction..... 1**

**2. General Requirements for Recorded Usage Data ..... 1**

**3. Usage Data Specifications..... 1**

**4. Recorded Usage Data Format ..... 2**

**5. Recorded Usage Data Reporting Requirements..... 2**

**6. Recording Failures ..... 4**

**7. Charges ..... 5**

**8. Local Account Maintenance ..... 5**

**9. Clearinghouse Procedures ..... 6**

**APPENDIX I ..... 7**

**SECTION I: SCOPE..... 8**

**SECTION II: RECORDED USAGE TO BE TRANSMITTED TO SPRINT..... 9**

**SECTION III: GTE TO SPRINT USAGE FEED..... 10**

**SECTION IV: SPRINT PROCESSING REQUIREMENTS ..... 15**

**SECTION V: TEST PLANS AND ACTIVITIES ..... 17**

**SECTION VI: POST DEPLOYMENT ACTIVITIES..... 19**

**SECTION VII: APPENDICES..... 23**

**APPENDIX II ..... 31**



## **PROVISION OF CUSTOMER USAGE DATA**

### **1. Introduction**

- 1.1 This Attachment sets forth the terms and conditions for GTE's provision of recorded usage data (as defined in this Attachment) to Sprint. Recorded Usage Data shall be provided by GTE to Sprint when Sprint purchases Network Elements, Combinations, or Local Services from GTE. If modifications to GTE's billing system are necessary for GTE to meet the requirements of this Attachment 7, because such requirements call for a higher level of service or different functionality than GTE provides to itself, the parties shall negotiate in good faith a price to cover the costs of such modifications. Sprint shall reimburse GTE only for Sprint's proportionate share of the actual costs incurred if other entities, including GTE, use and benefit from the modifications. If no other entities, including GTE participate in the modifications, Sprint will pay all of the actual costs incurred. However, if other entities use and benefit from the modifications, GTE shall reimburse Sprint in an amount equal to the modification costs attributable to the proportionate use of the billing system by such subsequent entity.

### **2. General Requirements for Recorded Usage Data**

- 2.1 GTE shall provide Sprint with Recorded Usage Data in accordance with this Attachment.
- 2.2 GTE's provision of Recorded Usage Data to Sprint shall be in accordance with Sprint's Direct Measures of Quality (DMOQs) set forth in Attachment 12.
- 2.3 GTE shall retain Recorded Usage Data in accordance with applicable law and regulation.

### **3. Usage Data Specifications**

- 3.1 To the extent that GTE records such information for itself, GTE will record usage originating from Sprint Customers using the GTE provided Element or Local Services, which include intraLATA toll and local usage. Recorded Usage Data includes, but is not limited to, the following categories of information:

- Call Attempts
- Completed Calls
- Use Of CLASS/LASS/Custom Features
- Calls To Information Providers Reached Via GTE Facilities And Contracted By GTE

- Calls To Directory Assistance Where GTE Provides Such Service To An Sprint Customer
- Calls Completed Via GTE Provided Operator Services Where GTE Provides Such Service To Sprint's Local Service Customer
- For GTE Provided CENTRANET Service, Station Level Detail for calls outside the CENTRANET group
- Records Shall Include Complete Call Detail And Complete Timing Information
- Recording Of Completed Calls Which GTE Does Not Record For Its Own Service Offerings (e.g., Flat Rate Free Calling Area Service)

In the event GTE does not record the above information for itself, GTE will record such information subject to Sprint's agreement to pay its proportionate share of costs associated with such recording.

3.2 GTE shall provide to Sprint Recorded Usage Data for Sprint Customers only in unrated format, except for rated incollects and except as provided in Section 3.3 following. GTE will not submit other carrier local usage data as part of the Sprint Recorded Usage Data.

3.3 Calls to information providers referenced in Section 3.1 preceding shall be provided to Sprint in rated format for billing to the customer.

3.3.1 The parties also agree to establish settlement procedures to permit Sprint to recourse to GTE amounts Sprint Customers refuse to pay for these rated information provider charges forwarded by GTE to Sprint for billing.

3.4 End user customer usage records and station level detail records shall be in packs in accordance with EMR standards.

#### 4. **Recorded Usage Data Format**

4.1 GTE will provide Recorded Usage Data in the EMR format and by category, group and record type, as specified in the Sprint Customer Usage Data Transfer Requirements, March 1996 ("Data Requirements"), which is attached hereto and incorporated herein as Appendix II.

4.2 GTE shall include the Working Telephone Number (WTN) of the call originator on each EMR call record.

4.3 End user customer usage records and station level detail records shall be in packs in accordance with EMR standards.

#### 5. **Recorded Usage Data Reporting Requirements**

- 5.1 GTE shall segregate and organize the Recorded Usage Data in accordance with Sprint's instructions.
- 5.2 GTE shall provide segregated Recorded Usage Data to multiple Sprint biller locations as designated by Sprint.
- 5.3 GTE shall transmit Data Requirements formatted Recorded Usage Data to Sprint via CONNECT:Direct as designated by Sprint. In the event that usage transfer cannot be accommodated by CONNECT: Direct because of extended (one business day or more) facility outages, or if facilities do not exist, the LSP will contract for a courier service to transport the data tapes. Data transported to Sprint on tape or cartridge via a courier will have the physical characteristics indicated in SUBAPPENDIX A. Sprint's intent is for variable block format (2476 bytes) with a LRLECL of 2472. The charge for said service shall be as set forth in Attachment 14.
- 5.3.1 GTE will provide Sprint with contacts for sending/receiving usage files.  
  
Sprint will provide GTE with contacts responsible for receiving usage transmitted by GTE and usages tapes from a courier service in the event of a facility outage.
- 5.4 Sprint will test and certify the CONNECT:Direct interface to ensure the accurate receipt of Recorded Usage Data. GTE shall make any changes necessary to pass the Sprint CONNECT:Direct certification process.
- 5.5 GTE shall provide Recorded Usage Data to Sprint within the time frames specified in Attachment 12.
- 5.6 GTE will establish a single point of contact to respond to Sprint call usage, data error, and record transmission inquiries.
- 5.7 The Recorded Usage Data EMR format, content, and transmission process will be tested as specified by Sprint.
- 5.8 When requested by Sprint for security purposes, GTE shall provide Sprint with Recorded Usage Data promptly. If not available in EMR format, the Recorded Usage Data may be provided in AMA format.
- 5.9 **USAGE SUMMARY**  
  
Messages will be transmitted, via a direct feed, to Sprint in standard EMR format. The following is a list of EMR records that Sprint can expect to receive from the LSP:

Header Record                      20-20-01

|                    |  |
|--------------------|--|
| Trailer Record     | 20-20-02   |
| Detail Records*    | 01-01-01, 06, 07, 08, 09, 16, 18, 31, 32, 33, 35, 37, 80, 81, 82, 83, 10-01-01, 06, 07, 08, 09, 16, 18, 31, 32, 35, 37, 80, 81, 82, 83 |
| Credit Records     | 03-01-XX   |
| Rated Credits      | 41-01-XX   |
| Cancel Records     | 51-01-XX   |
| Correction Records | 71-01-XX   |

\*Category 01 is utilized for Rated Messages; Category 10 is utilized for Unrated Messages

In addition, the LSP should provide a 42-50-01 Miscellaneous Charge record to support the Special Features Star Services (see Appendix II, Subappendix E for specific details) if these features are part of the LSP's resale product.

For detailed information regarding EMR, refer to the current version of the BellCore Practice BR010-200-010 document.

- 5.10 Sprint and GTE will track pack number to control input based upon invoice sequencing criteria. GTE will be notified of sequence failures identified by Sprint and resend procedures are to be invoked.
- 5.11 Sprint, upon receipt of cancel/connection records, will perform their current matching functionality to identify the original message to be connected/canceled. Processing will be dependent upon individual negotiations.

## 6. **Recording Failures**

- 6.1 Loss of Recorded Usage Data - Sprint Recorded Usage Data determined to have been lost, damaged or destroyed as a result of an error or omission by GTE in its performance of the recording function shall, upon Sprint's request, be recovered by GTE at no charge to Sprint. In the event the data cannot be recovered by GTE, GTE shall estimate the messages and associated revenue, with assistance from Sprint, based upon the method described below. This method will be applied on a consistent basis, subject to modifications agreed to by GTE and Sprint. This estimate will be used to adjust amounts Sprint owes GTE for services GTE provides in conjunction with the provision of Recorded Usage Data.

- 6.1.1 Partial Loss - GTE shall review its daily controls to determine if data has been lost. When there has been a partial loss, actual message and minute volumes shall be reported, if possible. Where actual data are not available, a full day shall be estimated for the recording entity, as outlined in Section 6.1.3 following. The amount of the partial loss is then determined by subtracting the data actually recorded for such day from the estimated total for such day.
- 6.1.2 Complete Loss - Estimated message and minute volumes for each loss consisting of an entire AMA tape or entire data volume due to its loss prior to or during processing, lost after receipt, degaussed before processing, receipt of a blank or unreadable tape, or lost for other causes, shall be reported.
- 6.1.3 Estimated Volumes - From message and minute volume reports for the entity experiencing the loss, GTE shall secure message/minute counts for the four (4) corresponding days of the weeks preceding that in which the loss occurred and compute an average of these volumes. GTE shall apply the appropriate average revenue per message ("arpm") provided by Sprint to the estimated message volume to arrive at the estimated lost revenue. Within 45 business days of the Effective Date of this Agreement, the Parties will mutually agree on a minimum threshold for application of this Section 6.1.3. Section 6.1.3 will be modified as set forth below:
- 6.1.3.1 If the day of loss is not a holiday but one (1) (or more) of the preceding corresponding days is a holiday, use additional preceding weeks in order to procure volumes for two (2) non-holidays in the previous two (2) weeks that correspond to the day of the week that is the day of the loss.
- 6.1.3.2 If the loss occurs on a weekday that is a holiday (except Christmas), GTE shall use volumes from the two (2) preceding Sundays.
- 6.1.3.3 If the loss occurs on Mother's Day or Christmas, GTE shall use volumes from that day in the preceding year (if available).
- 6.2 Sprint may also request data be provided that has previously been successfully provided by GTE to Sprint. GTE shall provide such data to the extent available subject to Sprint's agreement to pay relevant charges on a case-by-case basis.

## 7. **Charges**

GTE shall bill and Sprint shall pay the charges set forth in Part V and Attachment 14 for Recorded Usage Data. Billing and payment shall be in accordance with the applicable terms and conditions set forth in this Agreement.

## 8. **Local Account Maintenance**

- 8.1 When Sprint purchases Local Service from GTE, and, as appropriate, when Sprint purchases certain Unbundled Network Elements, GTE shall provide Sprint with Local Account Maintenance as described in Appendix III of this Attachment. These procedures are in addition to Service Order procedures set forth in Part I and Attachment 4 to this Agreement.

9. **Clearinghouse Procedures**

- 9.1 The Parties acknowledge that calls will be placed using the service of one Party that will be billable to customers of the other Party. In order to ensure that these calls are properly accounted for and billed to the appropriate customer, the Parties agree to work together and, when required, with other carriers, to establish clearinghouse procedures to accomplish these objectives. It is the intention of the Parties that these negotiations will be completed within six (6) months of the Effective Date of this Agreement. These procedures will establish the following:
- 9.1.1 Sprint shall have access to the Bellcore CMDS process for transmitting, receiving, and settling calling card, in-collect, and out-collect inter-region messages.
- 9.1.2 Sprint shall have access to the Bellcore company regional process for receiving and settling calling card, in-collect, and out-collect intra-region messages.
- 9.1.3 In the event a clearinghouse procedure is not in place upon the Effective Date of this Agreement, GTE will implement an interim arrangement with Sprint.

**APPENDIX I  
TO  
ATTACHMENT 7**

**CUSTOMER USAGE DATA  
TRANSFER REQUIREMENTS**

## **SECTION I: SCOPE**

### **1. General**

This Appendix addresses the transmission by GTE of Sprint Customer usage to Sprint.

#### **1.1 Usage Summary**

Messages will be transmitted, via a direct feed, to Sprint in standard EMR format. The following is a list of EMR records that Sprint can expect to receive from GTE:

|                    |   |
|--------------------|---|
| Header Record      | 20-20-01  |
| Trailer Record     | 20-20-02  |
| Detail Records*    | 01-01-01, 06, 07, 08, 09, 16, 18, 31, 32, 33, 35, 37,80, 81, 82, 83 |
|                    | 10-01-01, 06, 07, 08, 09, 16, 18, 31, 32, 35, 37, 80, 81, 82, 83    |
| Credit Records     | 03-01-XX  |
| Rated Credits      | 41-01-XX  |
| Cancel Records     | 51-01-XX  |
| Correction Records | 71-01-XX  |

\*Category 01 is utilized for Rated Messages; Category 10 is utilized for Unrated Messages

In addition, GTE shall provide a 42-50-01 Miscellaneous Charge record to support the Special Features Star Services (see Subappendix E for specific details) if these features are part of GTE's offering.

For detailed information regarding EMR, refer to the current version of the BellCore Practice BR010-200-010 Appendix.

### **2. Appendix Content**

This Appendix describes baseline requirements for the transfer of GTE recorded, unrated usage to Sprint. Testing requirements and the reports needed to ensure data integrity are also included. Additional requirements and implementation details may be identified for conditions unique to GTE. Modifications and/or exceptions to this Appendix must be negotiated and mutually agreed upon by GTE and Sprint.



## **SECTION II: RECORDED USAGE TO BE TRANSMITTED TO Sprint**

### **1. General**

This section addresses the types of usage to be transmitted by GTE to Sprint.

#### **9.1 Usage To Be Transferred To Sprint**

##### **9.1.1 Sprint Usage To Be Transferred**

The following messages recorded by GTE are to be transmitted to Sprint. GTE recorded usage includes all usage by Sprint Customers.

NOTE: Rated incollect messages should be transmitted via the direct feed and can be intermingled with the unrated messages. No special packing is needed.

At the discretion of Sprint, any of the above mentioned messages that cannot be rated and/or billed by Sprint may be returned to GTE via a direct returns feed. Returned messages will be sent to GTE in EMR format. Standard EMR return codes will be utilized.

File transfer specifications are included within Section 3.

#### **9.2 Sprint Usage**

The Recorded Usage Data in a local resale environment includes all intraLATA toll and local usage. GTE will provide Sprint with unrated EMR records associated with all intraLATA toll and local usage which they record on Sprint's behalf. Any Category, Group and/or Record types approved in the future for GTE will be included if they fall within the definition of local service resale. Sprint shall be given notification of implementation of a new type within the negotiated timeframes.

NOTE: GTE messages will be packed using the packing criteria outlined in Section 3.4.8. It is important to note that all GTE messages will be packed together (intermingled) based on the appropriate Sprint Send To/Bill To RAO combination. Specific categories, groups, and record types will not be packed separately.

### **SECTION III: GTE TO Sprint USAGE FEED**

#### **1. General**

This section contains the information required for GTE to transmit the usage defined in Section II to Sprint. This section specifically addresses the dataset requirements and processing.

##### **9.1 Detailed EMR Record Edits**

Sprint will perform detailed record edits on the unrated and rated messages upon receipt from GTE. Messages that fail these edits may be returned to GTE.

##### **9.2 Duplicate Record Checks**

Sprint will perform record checks on the unrated and rated messages to validate that duplicate messages are not sent by GTE to Sprint.

##### **9.3 GTE to Sprint Usage Feed**

###### **9.3.1 Usage Data Transport Requirements**

GTE will provide the transport facility between GTE location and the Sprint location. It is Sprint's intent that usage data be transmitted via CONNECT:Direct whenever possible. In the event usage transfer cannot be accommodated by CONNECT:Direct because of extended (one (1) business day or longer) facility outages, or if facilities do not exist, GTE will contract for a courier service to transport the data via tape.

GTE will provide Sprint with contacts, Remote Identifiers (IDs), and expected usage data volumes for each sending location.

Sprint will provide contacts responsible for:  
Receiving usage transmitted by GTE.  
Receiving usage tapes from a courier service in the event of a facility outage.

###### **9.3.2 Physical Characteristics**

Data transported to Sprint on tape or cartridge via a courier will have the physical characteristics indicated in Subappendix A. Sprint's intent is for variable block format (2,476 bytes) with a LRECL of 2472.

###### **9.3.3 Data Delivery Schedules**

Data will be delivered to Sprint by GTE daily (Monday through Friday) unless otherwise negotiated. Sprint and/or GTE Data Center holidays are excluded. GTE and Sprint will exchange schedules of designated Data Center holidays.

#### 9.3.4 Resending Data

Sprint will notify GTE of resend requirements if a pack or entire dataset must be replaced due to pack rejection, damage in transit, dataset name failure, etc.

#### 9.3.5 Pack Rejection

Critical edit failure on the Pack Header or Pack Trailer records will result in pack rejection (e.g., detail record count not equal to grand total included in the pack trailer). Notification of pack rejection will be made by Sprint within one (1) business day of processing. Rejected packs will be corrected by GTE and retransmitted to Sprint by GTE.

#### 9.3.6 Held Packs And Messages

Sprint and GTE will track pack number to control input based upon invoice sequencing criteria. GTE will be notified of sequence failures identified by Sprint and resend procedures are to be invoked.

#### 9.3.7 Data Content Requirements

EMR is the format to be used for usage data provided to Sprint.

#### 9.3.8 RAO Packing Requirements

A pack shall contain a minimum of one message record or a maximum of 9,999 message records plus a pack header record and a pack trailer record. A file transmission contains a maximum of 99 packs. A dataset shall contain a minimum of one pack. GTE will provide Sprint one dataset per sending location, with the agreed upon RAO/OCN populated in the Header and Trailer records.

Within the Header and Trailer records, the FROM RAO identifies the location that will be sending usage to Sprint. GTE will populate the FROM RAO field with the unique numeric value identifying the location that is sending the data to Sprint. GTE will populate the Send To/Bill To RAO fields with the appropriate Sprint RAO values. Also, Pack Header and Trailer will have the OCN appropriately populated.

The FROM RAO, OCN, and Remote Identifiers will be used by Sprint to control invoice sequencing and each will have its own invoice controls. The FROM RAO will also be used to determine where the message returns file, containing any misdirected and unguidable usage, will be sent.

The file's Record Format (RECFM) will be Variable Block (VB) Size 2,476 and the Logical Record Length (LRECL) will be 2,472 bytes. Compaction requirements can be found in Subappendix B hereto.

Sprint has no special sort requirements for the packs sent by GTE.

#### 9.3.9 Dataset Naming Convention

GTE will transmit the usage to Sprint using the following dataset naming conventions. The dataset name (DSN) will be partitioned into five nodes, separated by periods as follows:

NODE 1BB03PXNN\*  
NODE 2.IBMUP  
NODE 3 (To be determined during negotiations)  
NODE 4.USAGE

NODE 5.GNNNV00\* (Generational Dataset to be incremented by sender).  
\*The italicized "N" represents numeric fields determined during negotiations.

#### 9.3.10 Control Reports

Sprint accepts input data provided by GTE in EMR format in accordance with the requirements and specifications detailed in this section of the attachment. In order to ensure the overall integrity of the usage being transmitted from GTE to Sprint, data transfer control reports will be required. These reports shall be provided by Sprint to GTE on a daily or otherwise negotiated basis and reflect the results of the processing for each pack transmitted by GTE.

#### 9.3.11 Message Validation Reports

Sprint will provide the following three (3) daily (or otherwise negotiated) Message Validation reports to the designated GTE System Control Coordinator. These reports will be provided for all data received within GTE Local Resale Feed and will be transmitted Monday through Friday whether or not there have been any files transmitted.

##### 9.3.11.1 Message Validation Pack Reject Report (A7287)

This report provides information on packs rejected by Sprint. It lists the header and trailer record of each rejected pack and indicates the error codes and the associated error message which explains why the pack was rejected.

An example of the report and a list of Valid Error Codes and associated error messages are provided in Subappendix B hereto.

#### 9.3.11.2 Message Validation Pack Accepted Report (A7288)

This report provides vital statistics and control totals by Record ID, Type of Service, Message Counts and Record Counts, for all valid, rejected and dropped messages. The information is provided in the following report formats and control levels:

1. RLEC Total Messages
2. RLEC Total Records
3. RAO Total Messages
4. RAO Total Records
5. Pack Total (Record Counts and Message Counts)

The first four report formats include percentages that indicate the relationship of the daily input volume by Record ID and Type of Record to the total input volume provided by an RAO and GTE.

An example of the report is provided in Subappendix C hereto.

#### 9.3.11.3 Message Validation EMR Detail Error Report (A7289)

An EMR detailed error report is generated for each pack/ invoice that is received and processed by Sprint. The report lists, in vertical format, the complete 175 byte EMR record that has failed to pass the initial edit criteria. It prints this detailed information only for the first five EMR records that share a common error condition. The error condition is flagged on the report by one of two possible error codes preceding the field value. The error codes are:

- (C) DENOTES CRITICAL ERRORS
- (I) DENOTES INFORMATION ERRORS

The last two pages of the report for a given pack/invoice provide the following control totals:

Total Errors for each Field

Total Records Received  
Total Records Dropped  
Total Records Rejected to MIU  
Pack Reject Rate  
Total Default Count (represents the number of Files on all of the input records that had to be programmatically altered to meet the EMR standards and specifications.)

If the entire pack/invoice has been rejected because of a Critical Error Rate greater than 0.5%, the last page of the report will display such a statement enclosed in asterisks.

An example of the report is provided in Subappendix D hereto.

#### 9.3.11.4 Control Reports - Distribution

Since GTE is not receiving control reports, dataset names will be established during detailed negotiations.

## **SECTION IV: Sprint PROCESSING REQUIREMENTS**

### 1. General

This section contains requirements for Sprint processing of Recorded Usage Data that has been transmitted to Sprint for billing.

#### 9.1 Sprint Rating Process

##### 9.1.1 Message Rating

Sprint will rate any individual messages (as defined in Section II), that have not already been rated by GTE (information provider messages will be rated by GTE), prior to transmitting the usage to a billing environment within Sprint.

##### 9.1.2 Application Of Taxes/Fees/Surcharges

Sprint will apply taxes, fees and surcharges as appropriate for the individual messages and/or customer accounts. The application of all taxes, fees and surcharges will be applied on all intraLATA local and toll usage received from GTE.

##### 9.1.3 Duplicate Messages

Sprint has existing duplicate checks as part of their message processing or billing functions. Sprint will perform these checks on the rated/unrated messages sent pursuant to GTE duplicate message disposition procedures and reports will be identified by Sprint during negotiations.

##### 9.1.4 Record Edits

###### 9.1.4.1 Sprint Record Edits

Sprint will perform detailed record edits on the rated and unrated messages prior to transmitting them to the billing environment. Rated and unrated records that do not pass Sprint edits will be returned to GTE.

###### 9.1.4.2 GTE Record Edits

If GTE has existing detailed record edits for rated and unrated messages, GTE is to perform these edits.

Rated and unrated records that do not pass Sprint edits will be returned to

GTE. GTE will attempt to perform error correction on all records requiring such action as agreed upon through the detailed negotiations process.

9.1.5 Sprint To GTE Message Returns

At the discretion of Sprint, customer usage data sent to Sprint by GTE that cannot be guided to an Sprint billed account or that cannot be processed will be returned to GTE with the appropriate industry standard return codes.

9.1.6 Cancel/Correction Records

Sprint, upon receipt of cancel/correction records, will perform their current matching functionality to identify the original message to be canceled/corrected. (Processing will be dependent upon individual negotiations.)



## **SECTION V: TEST PLANS AND ACTIVITIES**

### **1. General**

This section defines GTE and Sprint activities which are required prior to implementation. The tests and activities described are necessary to ensure a smooth, accurate and well-programmed conversion. Specific test dates will be identified through the negotiations process.

### **9.1 Interface Testing**

The Parties agree to usage interface testing between GTE and Sprint. The purpose of this test is to ensure that the usage described in Section II preceding can be sent by either Party and can be accepted and processed by the other Party. GTE will provide a test file to Sprint's designated Regional Processing Center (RPC) in the format that will be used for live day-to-day processing. The file will contain one (1) full day's production usage. The format of the file will conform to the requirements shown in Section III. Sprint will review the file and verify that it conforms to its data center requirements. Sprint will notify GTE in writing whether the format is acceptable. Sprint will also provide GTE with the agreed-upon control reports as part of this test.

Sprint will provide a test file to GTE's designated Regional Processing Center (RPC) in the format that will be used for live day-to-day processing. The file will contain one (1) full day's production usage. The format of the file will conform to the requirements shown in Section III. GTE will review the file and verify that it conforms to its data center requirements. GTE will notify Sprint in writing whether the format is acceptable. GTE will also provide Sprint with the agreed-upon control reports as part of this test.

### **9.2 Operational Test**

The purpose of this test is to ensure that volumes of usage in consecutive sequence can be extracted, distributed, and processed by GTE and Sprint.

GTE is required to provide Sprint with GTE recorded, unrated usage (as defined in Section 2) for a minimum of five (5) consecutive days. Sprint will provide GTE with the message validation reports associated with test usage.

Sprint will rate and process the unrated intraLATA toll and local usage. Sprint will process this data to test bills. Sprint may request that the test usage contain specific usage volumes and characteristics to ensure a complete test.

Specific usage volumes and characteristics will be discussed during detailed negotiations.

### 9.3 Test File

Test data should be transported via CONNECT:Direct whenever possible. In the event that courier service must be used to transport test media, the physical tape characteristics to be used are described in Subappendix A hereto.

## **SECTION VI: POST DEPLOYMENT ACTIVITIES**

### **1. General**

Requirements for ongoing maintenance of the usage feeds between Sprint and GTE are described in this section. Included are minimal requirements for day to day control of the regularly scheduled transfer of GTE unrated and rated usage data and procedures for introducing and verifying Sprint/GTE System Changes.

#### **9.1 Control Maintenance And Review**

##### **9.1.1 Periodic Review**

Control procedures for all usage transferred between GTE and Sprint will require periodic review. This review may be included as part of an annual audit of GTE by Sprint or as part of the normal production interface management function. Breakdowns which impact the flow of usage between GTE and Sprint must be identified and jointly resolved as they occur. The resolution may include changes to control procedures, as similar problems would be avoided in the future. Any changes to control procedures would need to be mutually agreed upon by Sprint and GTE.

##### **9.1.2 Retention of Records**

Data back-up will be retained for forty-five (45) days. GTE shall maintain a machine readable back-up copy of the message detail provided to Sprint for a minimum of forty-five (45) calendar days. Sprint will maintain the message detail received from GTE for a minimum period of forty-five (45) calendar days. Designated Sprint personnel will provide these records to GTE or its authorized agents upon written request. GTE will also provide any data back to Sprint upon their written request.

#### **9.2 GTE Software Changes**

When GTE plans to introduce any software changes which impact the format or content structure of the usage data feed to Sprint, designated GTE personnel will notify Sprint no less than one hundred twenty (120) calendar days before such changes are implemented.

GTE will communicate the projected changes to the appropriate groups in

Sprint so that potential impacts on Sprint processing can be determined.

Sprint personnel will review the impact of the change on the entire control structure as described in Section 1.5, Post Conversion Test Plan, herein. Sprint will negotiate any perceived problems with GTE and will arrange to have the data tested utilizing the modified software.

If it is necessary for GTE to request changes in the schedule, content or format of usage data transmitted to Sprint, GTE will notify Sprint.

### 9.3 Sprint Requested Changes

If it is necessary for Sprint to request changes in the schedule, content, or format of the usage data transmitted from GTE, Sprint will notify GTE.

When the negotiated changes are to be implemented, Sprint and/or GTE will arrange for testing of the modified data as described in Section 1.5, Post Conversion Test Plan.

### 9.4 Sprint Software Changes

When Sprint plans to introduce any software changes which may impact the format or content structure of the usage data transmitted from GTE, Sprint will notify the designated GTE personnel, no less than one hundred twenty (120) calendar days before such changes are implemented.

The Sprint contact will communicate the projected changes to the appropriate groups in GTE so that potential impacts on GTE processing can be determined.

Sprint will negotiate any perceived problems with GTE and will arrange to have the data tested utilizing the modified software.

Altering the one hundred twenty (120) day window for introducing software changes can be negotiated by both companies, dependent upon the scope and impact of the change.

## 9.5 Post-Conversion Test Plan

The test plan described below is designed to encompass all types of changes to the usage data transferred by GTE to Sprint and the methods of transmission for that data.

### 9.5.1 GTE System Change Description

For a GTE system change, GTE shall provide Sprint with an overall description of the change, stating the objective and a brief explanation of the reasons for the change.

During the initial negotiations regarding the change, GTE shall provide a list of the specific records and/or systems impacted by the change to designated Sprint personnel.

Finally, GTE shall also provide Sprint a detailed description of the changes to be implemented. It shall include sufficient detail for designated Sprint personnel to analyze and estimate the effects of the changes and to design tests to verify the accuracy of the implementation.

### 9.5.2 Change Negotiations

GTE and Sprint will provide mutual written change notifications. Sprint shall be notified in writing of all proposed change negotiations initiated by GTE. In turn, Sprint will notify GTE of proposed change negotiations initiated by Sprint.

After formal notification of planned changes, whether originated by GTE or Sprint, designated Sprint personnel will schedule negotiation meetings as required with designated GTE personnel. The first meeting should produce the overall change description (if not previously furnished) and the list of records and/or systems affected.

In subsequent meetings, GTE shall provide the detailed description of changes to be implemented. After reviewing the described changes, designated Sprint personnel will negotiate a detailed test procedure with GTE.

### 9.5.3 Control Change Analysis

Based on the detailed description of the changes provided by GTE, and the review of the projected changes by Sprint, designated Sprint personnel will:

#### 9.5.3.1 Determine the impact of the changes on the overall structure.

- 9.5.3.2 Determine whether any single change has a potential control impact (i.e., high error rate on individual records that might result in pack rejection).
- 9.5.3.3 Determine whether any controls might be adversely affected.
- 9.5.3.4 Arrange for appropriate control structure changes to meet any of the above conditions.

#### 9.5.4 Verification Of Changes

Based on the detailed description of changes furnished by GTE, designated Sprint personnel will:

- 9.5.4.1 Determine the type of change(s) to be implemented.
- 9.5.4.2 Develop a comprehensive test plan.
- 9.5.4.3 Negotiate scheduling and transfer of modified data with GTE.
- 9.5.4.4 Negotiate testing of modified data with the appropriate Sprint rpc.
- 9.5.4.5 Negotiate processing of verified data through the Sprint billing system with the rpc.
- 9.5.4.6 Arrange for review and verification of testing with appropriate Sprint groups.
- 9.5.4.7 Arrange for review of modified controls, if applicable.

#### 9.5.5 Introduction of Changes

When all the testing requirements have been met and the results reviewed and accepted, designated Sprint personnel will:

- 9.5.5.1 Negotiate an implementation schedule.
- 9.5.5.2 Verify the existence of a contingency plan with the appropriate Sprint personnel.
- 9.5.5.3 Arrange for the follow-up review of changes with appropriate Sprint personnel.
- 9.5.5.4 Arrange for appropriate changes in control program, if applicable.
- 9.5.5.5 Arrange for long-term functional review of impact of changes on the Sprint billing system, i.e., accuracy, timeliness, and completeness.

SECTION VII: SUBAPPENDICES

SUMMARY OF SUBAPPENDICES

Subappendix A

Physical Characteristics Of Data Tapes/  
Cartridges

Subappendix B

Message Validation Pack Reject Report (A7287)

Subappendix C

Message Validation Pack Accepted Report (A7288)

Subappendix D

Message Validation EMR Detail Error Report (A7289)

Subappendix E

Special Features Star Services

## SUBAPPENDIX A

### PHYSICAL CHARACTERISTICS OF DATA TAPES/CARTRIDGES

Data transported to Sprint by GTE, or to GTE by Sprint, on tape or cartridge via a courier will have the following physical characteristics:

|   |   |
|---|---|
| Tape:   | 9-track, 6250 (or 1600) BPI (Bytes per inch)  |
| Cartridge:  | 38,000 BPI (Bytes per inch)   |
| LRECL:  | 2,472 Bytes   |
| Parity:   | Odd   |
| Character Set:                                    | Extended Binary Coded Decimal Interchange Code (EBCDIC)   |
| External labels:                                  | Exchange Carrier Name, Dataset Name (DSN) and volume serial number  |
| Internal labels:                                  | IBM Industry OS labels will be used. They consist of a single volume label and two sets of header and trailer labels. |
| One file per sending with variable length records | 104 bytes EMR compacted format plus location modules as applicable.   |





SUBAPPENDIX B (CONTD)  
MESSAGE VALIDATION PACK REJECT REPORT (A7287)

| ERROR CODE | ERROR MESSAGES  |
|------------|---|
| EC01.2     | First record after trailer is not a Pack Header.  |
| EC03.2     | From RAO is not numeric.  |
| EC04.3     | Invoice number on header invalid.   |
| EC04.5     | Company ID not numeric.   |
| EC04.6     | Independent company ID is not numeric.  |
| EC04.7     | Header Record ID is invalid.  |
| EC04.8     | Trailer Record ID is invalid.   |
| EC04.9     | Trailer Record count invalid.   |
| EC05.0     | Duplicate pack.   |
| EC05.1     | Old Pack.   |
| EC05.2     | RAO not found on table.   |
| EC07.3     | Error rate greater than invoice file threshold for RAO invoice number.                    |
| EC12.0     | Remote ID in Dataset is not valid.  |
| EC20.0     | No detail records in pack.  |
| EC13.0     | Invalid status on Pack Header.  |
| EC27.0     | Pack exceeds limit of 9,999 detail records.   |
| EC40.9     | Pack Header record is missing.  |
| EC41.0     | Trailer record is missing.  |
| EC42.0     | Trailer message volume is not equal to accumulated message volume.                        |
| EC44.0     | Header/Trailer date is invalid.   |
| EC45.0     | From RAO on Trailer Record is not equal to the from RAO on Header Record.                 |
| EC48.0     | Invoice number on Trailer Record is not equal to the invoice number on the Header Record. |

SUBAPPENDIX C - MESSAGE VALIDATION PACK ACCEPTED REPORT (A7288)

MM/DD/YY-----HH:MM:SS  
 RETEN CODE: 01R-00300

COMPANY XXXXXXXXXXXXXXXXXXXXXXXXXXXXXXXXXXXX FROM RAO INVOICE NO. DATE CREATED  
 TOTAL RECORDS RECEIVED  
 -----999-----99-----MM/DD/YY-----

-----ZZ.ZZ9

COUNTS-----MESSAGE COUNTS-----RECORD

RECORD ID TYPE OF RECORD VALID-----REJECTED-----DROPPED-----TOTAL-----VALID-----REJECTED-----  
 --DROPPED---TOTAL

| RECORD ID | TYPE OF RECORD             | VALID  | REJECTED | DROPPED | TOTAL  | VALID  | REJECTED |
|-----------|----------------------------|--------|----------|---------|--------|--------|----------|
| 010102    | OUTWATS (NON-SMDR)         | ZZ.ZZ9 | ZZ.ZZ9   |         | ZZ.ZZ9 | ZZ.ZZ9 | ZZ.ZZ9   |
| 010103    | OUTWATS (SMDR)             | ZZ.ZZ9 | ZZ.ZZ9   |         | ZZ.ZZ9 | ZZ.ZZ9 | ZZ.ZZ9   |
| 010104    | 800 SERVICE                | ZZ.ZZ9 | ZZ.ZZ9   |         | ZZ.ZZ9 | ZZ.ZZ9 | ZZ.ZZ9   |
|           | TOTAL WATS/800             |        |          |         |        |        |          |
| 010101    | MTS                        | ZZ.ZZ9 | ZZ.ZZ9   |         | ZZ.ZZ9 | ZZ.ZZ9 | ZZ.ZZ9   |
| 010106    | NON-DIAL CONFER BRIDGE     | ZZ.ZZ9 | ZZ.ZZ9   |         | ZZ.ZZ9 | ZZ.ZZ9 | ZZ.ZZ9   |
| 010107    | NON-DIAL CONFER LEG RECORD | ZZ.ZZ9 | ZZ.ZZ9   |         | ZZ.ZZ9 | ZZ.ZZ9 | ZZ.ZZ9   |
| 010108    | DIAL CONFERENCE BRIDGE     | ZZ.ZZ9 | ZZ.ZZ9   |         | ZZ.ZZ9 | ZZ.ZZ9 | ZZ.ZZ9   |
| 010111    | ALLIANCE (AGTC)            | ZZ.ZZ9 | ZZ.ZZ9   |         | ZZ.ZZ9 | ZZ.ZZ9 | ZZ.ZZ9   |





SUBAPPENDIX D

PAPER COPY OF A REPORT TO BE INCLUDED WITH DISTRIBUTION

SUBAPPENDIX E  
 SPECIAL FEATURES STAR SERVICES

The following are STAR Services supported by these Local Resale requirements to date. When identified, additional services can be negotiated to be included in this Resale offer.

- 1) Busy Redial/..... This feature allows a customer to redial a number when a Busy signal is encountered.
- 2) Call Return/Missed Call Dialing..... This feature allows a customer to automatically return the most recent incoming call, even if it is not answered.
- 3) Call Trace ..... This feature allows the tracing of nuisance calls.
- 4) Automatic Redial..... This feature allows a customer to automatically redial the last number dialed.

To provide for the transfer and billing of these features the following requirements apply:

For all "per use" STAR Features the 'Miscellaneous Charge Line Summary Non-Detail Charge' 425001 record should be used and be populated as follows:

| CONNECT TIME             | POSITIONS 55 - 60   | MUST BE POPULATED  |
|--------------------------|---------------------|--|
| MISCELLANEOUS TEXT CODE  | POSITIONS 168 - 172 | 1) BUSY REDIAL/LAST NUMBER REDIAL<br>POPULATE WITH '00001' |
| MISCELLANEOUS *TEXT CODE | POSITIONS 168 - 172 | 2) CALL RETURN/LAST NUMBER REDIAL<br>POPULATE WITH '00002' |
| MISCELLANEOUS TEXT CODE  | POSITIONS 168 - 172 | 3) CALL TRACE<br>POPULATE WITH '00003'                     |
| MISCELLANEOUS TEXT CODE  | POSITIONS 168-172   | 4) 3-WAY CALLING<br>POPULATE WITH '00004'                  |
| MISCELLANEOUS TEXT CODE  | POSITIONS 168-172   | 5) AUTOMATIC REDIAL<br>POPULATE WITH '00005'               |

NOTE: For fields not specifically defined, the standard EMR format for a 425001 record should be used.

**APPENDIX II  
TO  
ATTACHMENT 7**

**LOCAL  
ACCOUNT MAINTENANCE**



## LOCAL ACCOUNT MAINTENANCE REQUIREMENTS

### 1. GENERAL

In a Resale environment the goal is to enable Sprint to create an account maintenance structure congruent to GTE. In the current LEC environment, the LEC has access to all of the customer account data, network switch activity and current status, and new and existing customer account data. In order to obtain the data necessary to satisfy Sprint Local Account Maintenance requirements, GTE must support three key Local Account Maintenance requirements.

#### 9.1 REQUIREMENT #1 - LSP Change Notification Feed

**Situation:** A Customer initiates a change from Sprint to another LSP by contacting the New LSP. (LSP Change Notification Feed)

GTE shall issue and provide to Sprint at the end of each business day a service activation report in an electronic format reflecting change activity occurring on the previous day.

Create an end-of-day LSP Change Notification Feed:

**Purpose:** To convey to Sprint that a customer has left the LSP and moved to a new LSP. The new LSP could either be another Reseller, GTE or Facilities based provider.

**Data Delivery Schedule:** Five days a week, volumes fluctuating with change activity.

**Data Transfer Requirements:** Batch feed, sent end-of-day, via Connect/Direct NDM sent within 24 hours of the switch being provisioned.

**Sprint Data Center Receiving NODE:** NDMATTA1

**Dataset Name:** TMCD.LOCAL.LSPOUT.(+1) = Generation dataset

9.1 **REQUIREMENT #2 - LSP SERVICE ORDER PIC ONLY CHANGE PROCESS**

**Situation:** Customer has Sprint for Local Service and contacts Sprint requesting a change of PIC only from one LD Carrier to another.

**Sprint Local Process:** LD PIC Changes will be accepted by Sprint. Sprint will enter the PIC Change into the service order system, and will generate an LD PIC Change Order which will be sent to GTE for provisioning.

**SWP Requirement:** Accept a PIC Only Change for an existing Sprint customer via the current Service Order feed. Provision the network, and convey the confirmation of the PIC Only order via the current Work Order Completion feed.

9.2 **REQUIREMENT #3 - IXC PIC CHANGE PROCESS**

**Situation:** Customer has Sprint and contacts a New IXC to change PIC to new LD Carrier.

Upon receipt of an IXC-initiated '01' PIC order on a Resold line:

- GTE will reject the '01' order. Create the appropriate Industry Standard '3148', with the Local Service Provider ID of the Reseller and send the reject to the originating IXC. The reject must be returned within one business day.

NOTE: If GTE refuses to provide the Local Service Provider ID the record can be rejected with the Industry Standard transaction code '3147'.

9.3 **PIC Restricted**

In order for GTE to appropriately reject an IXC initiated "01" PIC Order on an Sprint WTN, GTE must implement a specific up-front edit. Do not apply a 'PIC Freeze' or a 'PIC Restriction'.

If the submitted WTN is a resold line assigned to Sprint (LSP ID 7421), reject the "01" PIC order with TCSI 3148. Populate LSP ID 7421 in the CARE record and return to the submitting IXC. If GTE were to reject the order for the reason of "restricted PIC" rather than "resold line," the submitting IXC would not know the line was resold. This would further delay the IXC's attempt to provision the line with the correct LSP.

The above edit process has nothing to do with "PIC Restriction." It is not Sprint's intent to provide GTE with end user PIC Restriction information since an end user's request for PIC restriction will be resident only on Sprint data bases. IXC initiated PIC orders received by Sprint will be edited for restricted PIC and returned to the submitting IXC with the appropriate reject TCSI if the WTN is found to be restricted.

**GLOSSARY OF TERMS**

| <u>Acronym</u> | <u>Definition</u>                |
|----------------|----------------------------------|
| ALEC           | Alternate Local Exchange Carrier |
| CARE           | Customer Account Record Exchange |
| CTI            | Customer Type Indicator          |
| Incumbent LEC  | Incumbent Local Exchange Company |
| ISI            | Industry Support Interface       |
| IXC            | Interexchange Carrier            |
| LAM            | Local Account Maintenance        |
| LD             | Long Distance                    |
| LEC            | Local Exchange Company           |
| LERG           | Local Exchange Routing Guide     |
| LSP            | Local Service Provider           |
| NDM            | Network Data Mover               |
| OCN            | Operating Company Number         |
| OUTPLOC        | LSP CHANGE NOTIFICATION          |
| PIC            | Primary Interexchange Carrier    |
| PLOC           | Primary Local Operating Carrier  |
| S/O            | Service Order                    |
| SWP            | Switch Provider                  |
| WTN            | Working Telephone Number         |

**ATTACHMENT 8**

**INTERIM NUMBER PORTABILITY**

**TABLE OF CONTENTS**

| <b><u>Section</u></b>                                   | <b><u>Page</u></b> |
|---|--------------------|
| 1. GTE PROVISIONING OF INTERIM NUMBER PORTABILITY ..... | 1                  |
| 2. INTERIM NUMBER PORTABILITY (INP) METHODS .....       | 1                  |
| 3. REQUIREMENTS FOR INP .....                           | 2                  |

## **INTERIM NUMBER PORTABILITY**

### **1. GTE Provisioning of Interim Number Portability**

GTE shall provide, to the extent technically feasible, interim number portability (INP) in accordance with requirements of the Act and FCC 96-286. INP will be provided with minimum impairment of functionality, quality, reliability and convenience to subscribers of Sprint services. INP by Remote Call Forwarding shall be made available for ordering by Sprint upon approval of this Agreement.

- 1.1 In addition, except for the loss of features that may be occasioned by the use of Remote Call Forwarding or other number portability technologies, the Sprint Customer may retain its local telephone number with no loss of features and functionalities; and the post-dial delay (time elapsed between the last digit dialed and the first network response), call completion rate and transmission quality experienced by an Sprint Customer shall be equal in quality to that experienced by a similarly-situated GTE Customer with Remote Call Forwarding or other number portability technology, as the case may be.

### **2. Interim Number Portability (INP) Methods**

#### **2.1 INP Methods**

INP shall be provided by Remote Call Forwarding (RCF) and Direct Inward Dialing (DID). Sprint shall specify on a per telephone number basis which method is to be employed and GTE shall provide such method to the extent technically feasible. If DID is ordered but not immediately available, Sprint may choose another available INP method until the requested service is available, provided, however, that GTE shall provide to Sprint the requested service within six (6) months of the approval of this Agreement. Sprint and GTE agree that Sprint may identify additional or revised methods of interim number portability. All such additional or modified methods of interim number portability shall be subject to the Bona Fide Request Procedures outlined in Attachment 12.

#### **2.2 Remote Call Forwarding**

Remote Call Forwarding (RCF) is an existing switch-based GTE service that may be used to provide subscribers with limited service-provider LNP by redirecting calls within the telephone network. When RCF is used to provide LNP, calls to the ported number will first route to the GTE switch to which the ported number was previously assigned. The GTE switch will then forward the call to a number with an NXX associated with the Sprint

operated switch to which the number is ported. Sprint shall specify the number of paths required to handle multiple simultaneous calls to the same ported telephone number.

**2.3 Direct Inward Dialing**

When a call to the ported number reaches the GTE switch, DID will route the dialed number directly to Sprint, over end-office to end-office, one-way DID trunking with multi-frequency (MF) signaling for call completion.

2.3.1 DID does not allow for overflow routing. MF signaling does not allow for passing the Calling Party Line Identification (CLID) to Sprint.

2.3.2 [Intentionally deleted]

2.3.3 GTE shall disclose to Sprint any technical or capacity limitations that would prevent use of a requested INP implementation in a particular switching office. GTE and Sprint shall cooperate in the process of provisioning INP to minimize customer out-of-service time.

2.4 [Intentionally Deleted]

2.5 [Intentionally Deleted]

**3. Requirements for INP**

**3.1 White and Yellow Page Listings**

GTE shall provide and maintain for Sprint one (1) white page and one (1) yellow page (if applicable) listing for each Sprint subscriber that has ported its number from GTE, consistent with that specified for Provisioning in this Agreement.

3.2 The listing and handling of listed and nonlisted telephone numbers will be at least at parity with that provided by GTE to its own customers.

**3.3 Cutover Process**

GTE shall cooperate in the process of porting numbers from one carrier to the other so as to limit service outage for the ported subscriber.

**3.4 Testing**

GTE shall cooperate in testing ported telephone numbers to assure call completion.

**3.5 Non-Geographic Numbers**

GTE shall not be required to provide number portability for non-geographic services (e.g., 500 and 900 NPAs and 976 NXX number services) under this Agreement.

3.5.1 Compensation arrangements for terminating local traffic between GTE and Sprint shall apply to ported calls.

3.5.2 GTE shall pay to Sprint a portion of the terminating access revenue for calls transported from the interexchange carrier to Sprint via a GTE porting office.

### 3.6 Treatment of TLN Calling Cards

3.6.1 Where technically feasible and where Sprint is purchasing LIDB services from GTE, GTE shall allow Sprint to order provisioning of TLN calling cards and Billed Number Screening (BNS), in its LIDB, for numbers ported on an interim basis, as specified by Sprint. GTE shall continue to allow Sprint access to its LIDB. Other LIDB provisions are specified in this Agreement.

### 3.7 911

Sprint shall have the right to use the existing GTE 911 infrastructure for all 911 capabilities. With respect to 911 service associated with ported numbers under INP, Sprint shall provide to GTE in GTE's capacity as administrator of the PSAP's ALI (Automatic Location Identification) database, current subscriber address records keyed to Sprint's shadow number and including GTE's ported number and GTE's company identification number as established by the National Emergency Number Association (NENA). GTE will provide the Sprint records to the ALI database as promptly as it provides its own records. GTE will work with Sprint to establish a process to verify the accuracy of the information in the PSAP's database.



**ATTACHMENT 9**

**NETWORK SECURITY**

**TABLE OF CONTENTS**

NETWORK SECURITY ..... 1

1. Protection of Service and Property ..... 1

2. Revenue Protection ..... 2

3. Law Enforcement Interface ..... 3

4. Impairment of Service ..... 4

## **NETWORK SECURITY**

### **1. Protection of Service and Property**

GTE shall exercise the same degree of care to prevent harm or damage to Sprint, its employees, agents or customers, or their property as it employs to protect its own personnel, customers and property, etc. GTE, its employees, agents, or representatives agree to take reasonable and prudent steps to protect Sprint property and services, including, but not limited to:

- 1.1 Restricting access to Sprint's collocation space as set forth in applicable GTE state and federal collocation tariffs. Additionally, GTE agrees that the following terms and conditions shall apply to access to Sprint's collocation space:
  - 1.1.1 GTE shall implement adequate measures to control access to collocation cages.
  - 1.1.2 Collocation space shall comply with all applicable fire and safety codes.
  - 1.1.3 Doors with removable hinges or inadequate strength shall be monitored by an alarm connected to a manned site. All other alarms monitoring Sprint collocation space provided by GTE shall also be connected to a manned site. Sprint may, at its option, provide its own intrusion alarms for its collocated space.
  - 1.1.4 GTE shall control janitorial access to collocation cages, and restrict such access to approved and certified employees, agents or contractors.
  - 1.1.5 GTE shall establish procedures for access to collocation cages by GTE and non-GTE emergency personnel, and shall not allow access by security guards unless such access comports with this section and is otherwise allowed under applicable GTE state and federal collocation tariffs.
  - 1.1.6 GTE shall retain a master key to Sprint's collocation space for use only in event of emergency as detailed in applicable GTE state and federal tariffs. At Sprint's option, the Parties shall review key control procedures no more frequently than twice in any twelve month period. At any time, Sprint may elect to change keys if it suspects key control has been lost, provided, however, that GTE will be provided with a master key in accord with this section.
  - 1.1.7 Not more frequently than twice a year, Sprint may audit the security and access procedures and equipment applicable to its collocated space and the central office housing the collocation space. Access by personnel

necessary to conduct such an audit shall be limited as set forth in applicable GTE state and federal collocation tariffs. Should Sprint identify deficiencies in security and access procedures and equipment, as a result of such audits or otherwise, the cost, terms and conditions of the correction of such deficiencies shall be negotiated in good faith between the Parties.

- 1.2 In order to protect customer proprietary information, ensure both ongoing operational and update integrity of databases, and control access to the ability to disconnect end users on authorized ports, in cases in which there are shared systems access to GTE systems, GTE will provide access controls to its system based upon GTE's internal security standards, which standards shall include, at minimum, traditional log in and password procedures. Sprint shall be responsible for Sprint control installation.

## 2. **Revenue Protection**

- 2.1 The Parties shall work cooperatively with each other to utilize present and future fraud prevention or revenue protection features, including prevention, detection, or control functionality embedded within the network. These features may include screening codes, call blocking of international, 800, 900/976, and 700 numbers and the capability to require end-user entry of an authorization code for dial tone on a per line basis, in accordance with applicable laws, regulations and tariffs. GTE will provide call blocking of 700 and 800/888 numbers when technically feasible and when made available to GTE end users, in accordance with applicable laws, regulations and tariffs. Upon Sprint's request, GTE shall provide Sprint with information generated by the fraud prevention or revenue protection features of its network relevant to fraudulent use of services by Sprint's customers. GTE shall calculate, and Sprint shall pay, the incremental cost of providing the information pursuant to the TELRIC methodology. GTE shall prorate the cost in a competitively neutral manner.
- 2.2 If Sprint has uncollectible or unbillable revenue resulting from, but not confined to, provisioning, maintenance, or signal network routing errors which are the responsibility of GTE, GTE's liability shall be governed by the applicable tariff.
- 2.3 If Sprint has uncollectible or unbillable revenue resulting from the accidental or malicious alteration of software underlying Network Elements or their subtending operational support systems by unauthorized third parties for which GTE has administrative control of access to said Network Element or operational support system software, GTE's liability shall be governed by the applicable tariff.

- 2.4 If Sprint has uncollectible or unbillable revenue resulting from the unauthorized physical attachment to loop facilities (under GTE's responsibility or control) from the Main Distribution Frame up to and including the Network Interface Device, including clip on fraud, GTE's liability shall be governed by the applicable tariff..
- 2.5 GTE shall provide quick/soft dial tone to allow only the completion of calls to termination points required by law and to establish service.

3. **Law Enforcement Interface**

- 3.1 Only if available in connection with GTE's operation of its own business, GTE shall provide seven day a week/ twenty-four hour a day installation and information retrieval pertaining to emergency traps, assistance involving emergency traces and emergency information retrieval on customer invoked CLASS services, including, without limitation, call traces requested by Sprint.
- 3.2 GTE agrees to work jointly with Sprint in security matters to support law enforcement agency requirements for taps, traces, court orders, etc. Charges for providing such services for Sprint Customers will be billed to Sprint.
- 3.3 GTE will, in nonemergency situations, inform the requesting law enforcement agencies that the end-user to be wire tapped, traced, etc. is an Sprint Customer and shall refer them to Sprint.

4. **Impairment of Service**

- 4.1 The characteristics and methods of operation of any circuits, facilities or equipment of either Party connected with the services, facilities or equipment of the other Party pursuant to this Agreement shall not interfere with or impair service over any facilities of the other Party, its affiliated companies, or its connecting and concurring carriers involved in its services, cause damage to their plant, violate any applicable law or regulation regarding the invasion of privacy of any communications carried over the Party's facilities or create hazards to the employees of either Party or to the public (each hereinafter referred to as an "Impairment of Service").
- 4.2 If either Party causes an Impairment in Service, the Party whose network or service is being impaired (the "Impaired Party") shall promptly notify the Party causing the Impairment of Service (the "Impairing Party") of the nature

and location of the problem and that, unless promptly rectified, a temporary discontinuance of the use of any circuit, facility or equipment may be required. The Impairing Party and the Impaired Party agree to work together to attempt to promptly resolve the Impairment of Service. If the Impairing Party is unable to promptly remedy the Impairment of Service, then the Impaired Party may at its option temporarily discontinue the use of the affected circuit, facility or equipment.

**ATTACHMENT 10**

**ACRONYMS**

| <b>ACRONYM</b> | <b>DEFINITION</b>  |
|----------------|--|
| AAA            | American Arbitration Association   |
| AIN            | Advanced Intelligent Network   |
| ALEC           | Alternative Local Exchange Carrier   |
| ALI/DMS        | Automatic Location Identification/Data Management Systems                  |
| AMA            | Automated Message Accounting   |
| ANSI           | American National Standards Institute                                      |
| ARPM           | Average Revenue Per Message  |
| ATIS           | Alliance for Telecom Industry Solutions                                    |
| ATM            | Asynchronous Transfer Mode   |
| BICI           | Broadband Inter-Carrier Interface  |
| BITS           | Building Integrated Timing Supply  |
| BLV            | Busy Line Verification   |
| BRCS           | Business and Residential Customer Service                                  |
| C              | Network Element Combination  |
| C-DTTA         | Combo of Dedicated Transport & Tandem                                      |
| C-LPLS         | Combo of Loop & Local Switching  |
| C-LSCTSSDBTS   | *  |
| CABS           | Carrier Access Billing Systems   |
| CAMA ANI       | Centralized Automatic Message Accounting - Automatic Number Identification |
| CAP            | Competitive Access Provider  |
| CARE           | Customer Account Record Exchange   |
| CCITT          | Consultative Committee on International Telegraph & Telephone              |
| CCS            | Communications Channel Signaling   |
| CCSNIS         | Common Channel Signaling Network Interface Specification                   |
| CIC            | Carrier Identification Code  |
| CLASS          | Custom Local Area Signaling Service  |
| CLC            | Carrier Liasion Committee  |
| CLEC           | Competitive Local Exchange Carrier   |

\*Combo of: Local Switching, Common Transport, Signaling, Databases & Tandem Switching

|        |  |
|--------|--|
| CLLI   | Common Language Location Identifier              |
| CMIP   | Coded Mark Inversion Protocol                    |
| CO     | Central Office                                   |
| CPE    | Customer Premises Equipment                      |
| CRDD   | Customer Requested Due Dates                     |
| CT     | Common Transport                                 |
| CTI    | Customer Type Indicator                          |
| CY     | Current Year                                     |
| DA     | Directory Assistance                             |
| DACS   | Digital Access Crossconnect Systems              |
| DB     | Database   |
| DB     | Service Central Points/Databases                 |
| DCC    | Data Communications Channel                      |
| DCS    | Digital Cross-Connect System                     |
| DID    | Direct Inward Dialing                            |
| DLC    | Digital Loop Carrier                             |
| DLCI   | Data Link Connection Identifier                  |
| DMOQs  | Direct Measures of Quality                       |
| DN     | Directory Numbers                                |
| DN-RI  | Directory Number - Route Index                   |
| DS-1   | Digital Signal Level One                         |
| DS-3   | Digital Signal Level Three                       |
| DS0    | Digital Signal Level Zero                        |
| DSN    | Data Set Name                                    |
| DSX    | Digital Cross Connect                            |
| DT     | Dedicated Transport                              |
| DTMF   | Dual-Tone Multi Frequency                        |
| E      | Network Element                                  |
| E&M    | Ear & Mouth Signaling                            |
| E-LP   | Element Loop                                     |
| EAMF   | Equal Access Multi-Frequency                     |
| EBCDIC | Extended Binary-Coded Decimal Interexchange Code |
| EBI    | Electronic Bonding Interface                     |
| EFT    | Electronic Fund Transfer                         |
| EI     | Electronic Interface                             |
| EI     | Emergency Interrupt                              |
| EMR    | Exchange Message Record                          |
| EO     | End Office                                       |
| ESF    | Extended Super Frame                             |
| ESL    | Essential Service Line                           |
| ETTR   | Estimated Time to Repair                         |
| FDI    | Feeder Distribution Interface                    |

|               |  |
|---------------|--|
| FN            | Fiber Node                                       |
| FOC           | Firm Order Confirmation                          |
| FRF           | Frame Relay Forum                                |
| FUNI          | Framebased User to Network Interface             |
| GTT           | Global Title Translation                         |
| HDT           | Host Digital Terminal                            |
| HFC           | Hybrid Fiber Coax                                |
| HFC-HDT       | Hybrid Fiber Coax - Host Digital Terminal        |
| ID            | Remote Identifiers                               |
| IEC           | Interexchange Carrier                            |
| IECs          | Interexchange Carriers                           |
| IEEE          | Institute of Electrical and Electronic Engineers |
| IISP          | Interim Interswitch Signaling Protocol           |
| ILEC          | Incumbent Local Exchange Carrier                 |
| INA           | Integrated Network Access                        |
| Incumbent LEC | Incumbent Local Exchange Company                 |
| INP           | Interim Number Portability                       |
| ISDN          | Integrated Services Digital Network              |
| ISDNUP        | Integrated Services Digital Network User Part    |
| ISI           | Industry Support Interface                       |
| ISNI          | Intermediate Signal Network Identifier           |
| ISO           | International Standardization Organization       |
| ISUP          | Integrated Services User Part                    |
| ITU           | International Telecommunications Union           |
| IVMS          | Interswitch Voice Messaging Service              |
| IXC           | Interexchange Carrier                            |
| LAM           | Local Account Maintenance                        |
| LARG          | LIDB Access Routing Guide                        |
| LASS          | Local Area Signaling Services                    |
| LATA          | Local Access Transport Area                      |
| LC            | Loop Concentrator/Multiplexor                    |
| LCC           | Line Class Code                                  |
| LD            | Loop Distribution                                |
| LEC           | Local Exchange Carrier                           |
| LEC DA        | LEC Directory Assistance                         |
| LEC SCE       | LEC Service Creation Environment                 |
| LEC SCP       | LEC Service Control Point                        |
| LEC SMS       | LEC Service Management System                    |
| LEC SSP       | LEC Service Switching Point                      |
| LERG          | Local Exchange Routing Guide                     |
| LF            | Loop Feeder                                      |
| LGX           | Lightguide Cross-Connect                         |



|         |  |
|---------|--|
| LIDB    | Line Information Data Base                           |
| LMI     | Local Management Interface                           |
| LNP     | Local Number Portability                             |
| LP      | Loop   |
| LRECL   | Logical Record Length                                |
| LRN     | Local Routing Number                                 |
| LS      | Local Switching                                      |
| LSO     | Local Serving Office                                 |
| LSP     | Local Service Provider                               |
| LSSGR   | LATA Switching Systems Generic Requirements          |
| MDF     | Main Distribution Frame                              |
| MDU     | Multiple Dwelling Unit                               |
| MDU/BCL | Multiple Dwelling Unit/Business Customer Location    |
| MF      | Multi-Frequency                                      |
| MIB     | Management Information Base                          |
| MLT     | Mechanized Loop Tests                                |
| MOP     | Methods of Procedure                                 |
| MOS     | Modified Operator Services                           |
| MR      | Modification Request                                 |
| MRVT    | MTP Routing Verification Test                        |
| MSAG    | Master Street & Address Guide                        |
| MTP     | Message Transfer Port                                |
| NDM     | Network Data Mover                                   |
| NEBS    | Network Equipment Building System                    |
| NI      | Network Interface Device                             |
| NID     | Network Interface Device                             |
| NIU     | Network Interface Unit                               |
| NMS     | Network Management System                            |
| NNI     | Network to Network Interface                         |
| NVT     | Network Validation Test                              |
| OAM     | Operation and Maintenance                            |
| OAM&P   | Operations Administration Maintenance & Provisioning |
| OBF     | Ordering & Billing Forum                             |
| OC      | Optical Carrier                                      |
| OCN     | Operating Company Number                             |
| ODS     | Optical Distribution                                 |
| OLI     | Originating Line Indicator                           |
| OMAP    | Operations, Maintenance & Administration Part        |
| ORT     | Operational Readiness Test                           |
| OS      | Operator Services                                    |
| OSPS    | Operator Services Position System                    |
| OSS     | Operations Support Systems                           |

|         |  |
|---------|--|
| OSSGR   | Operator Services Systems Generic Requirements |
| OUTPLOC | LSP CHANGE NOTIFICATION                        |
| PBX     | Private Branch Exchange                        |
| PDH     | Plesiochronous Digital Hierarchy               |
| PEC     | Primary Exchange Carrier                       |
| PIC     | Primary Interexchange Carrier                  |
| PLOC    | Primary Local Operating Carrier                |
| PNP     | Permanent Number Portability                   |
| POI     | Point of Interface                             |
| POI     | Points of Interconnection                      |
| POT     | Point of Termination                           |
| POTS    | Plain Old Telephone Service                    |
| PRI     | Primary Rate Interface                         |
| PSAP    | Public Safety Answering Point                  |
| PUC     | Public Utilities Commission                    |
| RAO     | Regional Accounting Office                     |
| RCF     | Remote Call Forwarding                         |
| RECFM   | Record Format                                  |
| RI      | Route Index                                    |
| RI-PH   | Route Index - Portability Hub                  |
| ROW     | Right of Way                                   |
| RPC     | Regional Processing Center                     |
| RSM     | Remote Switch Module                           |
| RT      | Remote Terminal                                |
| SAG     | Street Address Guide                           |
| SCCP    | Signaling Connection Control Point             |
| SCP     | Service Control Points                         |
| SDH     | Synchronous Digital Hierarchy                  |
| SECAB   | Small Exchange Carrier Access Billing          |
| SL      | Signaling Link Transport                       |
| SMDI-E  | Standard Message Desk Interface - Enhanced     |
| SMS     | Service Management System                      |
| SNMP    | Simple Network Management Protocol             |
| S/O     | Service Order                                  |
| SONET   | Synchronous Optical Network                    |
| SPOC    | Single Point of Contact                        |
| SPOI    | Signaling Point of Interconnection             |
| SRVT    | SCCP Routing Verification Test                 |
| SS      | SS7 Message Transfer & Connection Control      |
| SS7     | Signaling System 7                             |
| SSP     | Switching Services Port                        |
| STP     | Signaling Transfer Point                       |

|         |   |
|---------|---|
| STS     | Synchronous Transport Signal  |
| SWF-DSI | Switched Functional DS1 Service Capability                                  |
| SWP     | Switch Provider   |
| T&M     | Time & Material   |
| TCAP    | Transaction Capabilities Application Port                                   |
| TDEV    | Time Deviation  |
| TDI     | Tie Down Information  |
| TIA/EIA | Telecommunications Industries Association/Electronic Industries Association |
| TR      | Technical Requirements  |
| TS      | Tandem Switching  |
| TSG     | Trunk Sub-Group   |
| TSGR    | Transport System Generic Requirements                                       |
| TSLRIC  | Total Service Long Run Incremental Cost                                     |
| TSP     | Telecommunications Services Priority  |
| UNI     | User to Network Interface   |
| VB      | Variable Block  |
| VCI     | Virtual Channel Identifier  |
| VF      | Voice Frequency   |
| WDM     | Wavelength Division Multiplexing  |
| WTN     | Working Telephone Number  |

## **ATTACHMENT 11**

### **DEFINITIONS**

**"AAA"** means the American Arbitration Association.

**"Act"** means the Telecommunications Act of 1996.

**"Advanced Intelligent Network (AIN)"** is a network functionality that permits specific conditions to be programmed into a switch which, when met, directs the switch to suspend call processing and to receive special instructions for further call handling instructions in order to enable carriers to offer advanced features and services.

**"Affiliate"** means, with respect to any Party, a corporation or other entity directly or indirectly controlled by, controlling or under common control with such Party. "Control" means the power to direct the management and policies of the entity whether through the ownership of voting securities by agreement, or otherwise.

**"Agreement"** has the meaning set forth in the preamble.

**"AIN Services"** has the meaning set forth in Section 27.1 of the Agreement.

**"AMA"** means the Automated Message Accounting structure inherent in switch technology that initially records telecommunication message information. AMA format is contained in the Automated Message Accounting document, published by Bellcore as GR-1100-CORE which defines the industry standard for message recording.

**"Applicable Law"** shall mean all laws, statutes, common law, regulations, ordinances, codes, rules, guidelines, orders, permits and approvals of any Governmental Authority, including without limitation those relating to the environment, health and safety, which apply or relate to Work Locations or the subject matter of this Agreement.

**"Arbitrator"** has the meaning set forth in Section 6.1 of Attachment 1.

**"As Defined in the Act" or "As Described in the Act"** means as specifically defined or as described, respectively, in the Act as from time to time interpreted in the duly authorized rules and regulations of the FCC or the Commission.

**"SPRINT"** has the meaning set forth in the preamble.

**"Sprint Customer"** means any business or residential customer for Sprint Telecommunication services.

**"Attachment"** is any placement of one Party's equipment or facilities in or on another Party's Poles, Ducts, Conduits, or Rights of Way.

**"Attachment Request"** is a request for attachment made pursuant to Section 3.4 of Attachment 3.

**"Automatic Location Identification/Data Management System (ALI/DMS)"** means the emergency services (E911/911) database containing customer location information (including name, address, telephone number, and sometimes special information from the local service provider) used to determine to which Public Safety Answering Point ("PSAP") to route the call.

**"Automatic Route Selection (ARS)"** is a service feature that provides for automatic selection of the least expensive or most appropriate transmission facility for each call based on criteria programmed into the system.

**"Bill"** means bill submitted by one Party to the other Party for Charges.

**"Business Day"** has the meaning set forth in Section 23.8 of the Agreement.

**"BLV/BLI (Busy Line Verify/Busy Line Interrupt) Traffic" or "BLV/BLI Call"** means an operator call in which the end user inquires as to the busy status of, or requests an interruption of, a call on an Exchange Service.

**"CABS"** means the Carrier Access Billing System which is contained in a document prepared under the direction of the Billing Committee of the OBF. The Carrier Access Billing System document is published by Bellcore in Volumes 1, 1A, 2, 3, 3A, 4 and 5 as Special Reports SR-OPT-001868, SR-OPT-001869, SR-OPT-001871, SR-OPT-001872, SR-OPT-001873, SR-OPT-001874, and SR-OPT-001875, respectively, and contains the recommended guidelines for the billing of access and other connectivity services.

**"Central Office Switch"** means a switch used to provide Telecommunications Services including (i) "End Office Switches" which are Class 5 switches from which end user Exchange Services are directly connected and offered, and (ii) "Tandem Office Switches" which are Class 4 switches which are used to connect and switch trunk circuits between and among central office switches. Central office switches may be employed as combination end office/tandem office switches (combination Class 5/Class 4).

**"CENTRANET"** means a Telecommunications Service that uses central office switching equipment for call routing to handle direct dialing of calls, and to provide many private branch exchange-like features.

**"Charge"** means an amount charged by one Party to the other Party for services rendered or products purchased hereunder.

**"Claim"** has the meaning set forth in Section 10.4 of the Agreement.

**"CLASS (Custom Local Area Signaling Service) and LASS (Local Area Signaling Service)"** means a grouping of optional enhancements to basic local exchange service that offers special call handling features to residential and single-line business customers (e.g., call waiting, call forwarding and automatic redial).

**"CLEC"** means competitive local exchange carrier.

**"CLLI codes"** means Common Language Location Identifier Codes.

**"Collocation"** has the meaning set forth in Section 2.1 of Attachment 3.

**"Combinations"** has the meaning set forth in Section 1 of the Agreement

**"Commission"** means the Utilities and Transportation Commission of the State of Washington.

**"Common Transport"** has the meaning set forth in Section 7.1 of Attachment 2.

**"Complaint"** and **"Complaining Party"** have the respective meanings set forth in Section 2(b) of Appendix I to Attachment 1.

**"Conduit"** means a tube or protected through that may be used to house communication or electrical cables. Conduit may be underground or above ground (for example, inside buildings) and may contain one or more inner ducts.

**"Confidential Information"** has the meaning set forth in Section 17.1 of the Agreement.

**"Contract Year"** means a twelve (12) month period during the term of the contract commencing on the Effective Date and each anniversary thereof.

**"Customer Usage Data"** means the local Telecommunications Services usage data of an Sprint Customer, measured in minutes, sub-minute increments, message units, or otherwise, that is recorded by GTE and forwarded to Sprint.

**"DA Listing Information"** has the meaning set forth in Section 20.1 of the Agreement.

**"Damages"** has the meaning set forth in Section 10.4.1 of the Agreement.

**"Dedicated Transport"** has the meaning set forth in Section 8.1 of Attachment 2.

**"Directory Listings"** has the meaning set forth in Sections 19.1 and 19.2 of the Agreement.

**"Directory Assistance Service"** has the meaning set forth in Section 6.1 of Attachment 2.

**"Discloser"** means that Party to this Agreement which has disclosed Confidential Information to the other Party.

**"Disputes"** mean all disputes, claims or disagreements arising under or related to this Agreement or the breach thereof.

**"Duct"** has the meaning set forth in Section 3.1.3 of Attachment 3 of the Agreement.

**"Effective Date"** has the meaning set forth in Section 2 of the Agreement.

**"EMR"** means the Exchange Message Record System used among LECs for exchanging telecommunications message information for billable, non-billable, sample, settlement and study data. EMR format is contained in BR-010-200-010 CRIS Exchange Message Record, published by Bellcore which defines the industry standard for exchange message records.

**"Environmental Hazard"** means any substance the presence, use, transport, abandonment or disposal of which (i) requires investigation, remediation, compensation, fine or penalty under any Applicable Law (including, without limitation, the Comprehensive Environmental Response Compensation and Liability Act, Superfund Amendment and Reauthorization Act, Resource Conservation Recovery Act, the Occupational Safety and Health Act and provisions with similar purposes in applicable foreign, state and local jurisdictions) or (ii) poses risks to human health, safety or the environment (including, without limitation, indoor, outdoor or orbital space environments) and is regulated under any Applicable Law.

**"Enhanced White Pages"** means optional features available for White Pages Directory listings (e.g., bold, all capitals, additional line of text, indented).

**"Enhanced Yellow Pages"** means optional features available for Yellow Pages Directory listings (e.g., red type, bold, all capitals, additional line of text, indented).

**"Exchange Service"** refers to all basic access line services, or any other services offered to end users which provide end users with a telephonic connection to, and a unique telephone number address on, the public switched telecommunications network ("PSTN"), and which enable such end users to place or receive calls to all other stations on the PSTN.

**"Excluded Environmental Liabilities"** has the meaning set forth in Section 8.1 of the Agreement.

**"E911 Service"** is a method of routing 911 calls to a PSAP that uses customer location data in the ALI/DMS to determine the PSAP to which a call should be routed.

**"Facility"** and **"Facilities"** has the meaning set forth in Section 3.1.4 of Attachment 3 of the Agreement.

**"FCC"** means the Federal Communications Commission.

**"Governmental Authority"** means any federal, state, local, foreign or international court, government, department, commission, board, bureau, agency, official, or other regulatory, administrative, legislative or judicial authority with jurisdiction over GTE or Sprint.

**"Grooming Plan"** has the meaning set forth in Section 41.1 of the Agreement.

**"GTE"** has the meaning set forth in the preface of this Agreement.

**"GTE Customer"** means any business or residential customer for GTE Telecommunication services.

**"Impairment in Service"**, **"Impaired Party"** and **"Impairing Party"** shall have the respective meanings set forth in Section 4 of Attachment 9.

**"Inner Duct"** has the meaning set forth in Section 3.1.5 of Attachment 3 of the Agreement.



**"Intellectual Property"** means copyrights, patents, trademarks, trade secrets, mask works and all other intellectual property rights.

**"Intellectual Property Right"** has the meaning set forth in Section 10.4 of the Agreement.

**"Inter-Company Review Board"** means an inter-company review board established pursuant to Section 3.1 of Attachment 1.

**"Interconnection Services"** has the meaning set forth in Section 1 of the Agreement.

**"Interim Number Portability (INP)"** means the delivery of LNP capabilities, from a customer standpoint in terms of call completion, with as little impairment of functioning, quality, reliability, and convenience as possible and from a carrier standpoint in terms of compensation, through the use of existing and available call routing, forwarding, and addressing capabilities.

**"LATA"** means local access transport area.

**"Line Information Data Base(s) (LIDB)"** has the meaning set forth in Section 11.3.1 of Attachment 2 of the Agreement.

**"LEC"** means local exchange carrier.

**"LOA"** has the meaning set forth in Section 25.1.1 of the Agreement.

**"Local Number Portability (LNP)"** means the ability of users of telecommunications services to retain, at the same location, existing telecommunications numbers without impairment of quality, reliability, or convenience when switching from one telecommunications carrier to another.

**"Local Services"** has the meaning set forth in Section 24 of the Agreement.

**"Local Service Bill"** means a Bill for Local Service Charges.

**"Local Service Charges"** has the meaning set forth in Section 2.1 of Appendix A to Attachment 6 of the Agreement.

**"Local Traffic"** for purposes of interconnection and mutual compensation under this Agreement means traffic: (i) that originates and terminates in the same GTE exchange area; or (ii) originates and terminates in different GTE exchange areas that share a common mandatory local calling area such as mandatory Extended

Area Service (EAS). Local Traffic does not include optional EAS which are those arrangements where the originating end user has a choice between rate plans, one rate plan which does include the identified route and one rate plan which does not include the identified route within the end user's flat-rate calling area.

**“Loop”** and **“Loop Combination”** have the respective meanings set forth in Section 3 of Attachment 2 of the Agreement.

**“Loop Concentrator/Multiplexer”** has the meaning set forth in Section 3.3.1 of Attachment 2 of the Agreement.

**“Loop Distribution Media”** has the meaning set forth in Section 3.2.1 of Attachment 2 of the Agreement.

**“Loop Feeder”** has the meaning set forth in Section 3.4.1 of Attachment 2 of the Agreement.

**“LSR”** means the Local Services request form and processes for ordering services for an end user customer which are approved by the OBF and may be modified by mutual agreement of the Parties.

**“Manhole”** has the meaning set forth in Section 3.1.7 of Attachment 3 of the Agreement.

**“MECAB”** means the Multiple Exchange Carrier Access Billing (MECAB) document prepared under the direction of the Billing Committee of the OBF which functions under the auspices of the Carrier Liaison Committee of the Alliance for Telecommunications Industry Solutions. The MECAB document, published by Bellcore as Special Report SR-BDS-000983, contains the recommended guidelines for the billing of access and other connectivity services provided by two or more LECs (including LECs and CLECs), or by one LEC or CLEC in two or more states within a single LATA.

**“MECOD”** means the Multiple Exchange Carriers Ordering and Design (MECOD) Guidelines for Access Services- Industry Support Interface, a document developed under the auspices of the Billing Committee of the OBF which functions under the auspices of the Carrier Liaison Committee of the Alliance for Telecommunications Industry Solutions. The MECOD document, published by Bellcore as Special Report SR STS-002643, establishes recommended guidelines for processing orders for access and other connectivity services which is to be provided by two or more LECs (including a LEC and a CLEC), or by one LEC or CLEC in two or more states within a single LATA.

**"Network Element" or "Element"** means a facility or equipment used in the provision of a Telecommunications Service. Network Element includes features, functions, and capabilities that are provided by means of such facility or equipment, including subscriber numbers, databases, signaling systems, and information sufficient for billing and collection or used in the transmission, routing, or other provision of a telecommunications service.

**"Network Interface Device" or "NID"** has the meaning set forth in Section 2.1 of Attachment 2 of the Agreement.

**"New Services Request"** means a request from Sprint to GTE to obtain facilities, features, capabilities, functionality or services that are not already available under this Agreement.

**"North American Numbering Plan" or "NANP"** means the numbering plan used in the United States that also serves Canada, Bermuda, Puerto Rico and certain Caribbean Islands. The NANP format is a 10 digit number that consists of a 3 digit NPA code (commonly referred to as the area code), followed by a 3 digit NXX code and a 4 digit line number.

**"NXX"** means the three digit code which appears as the first three digits of a seven digit telephone number.

**"911 Service"** means a universal telephone number which gives the public direct access to the PSAP. Basic 911 service collects 911 calls from one or more local exchange switches that serve a geographic area. The calls are then sent to the correct authority designated to receive such calls.

**"OBF"** means the Ordering and Billing Forum (OBF), which functions under the auspices of the Carrier Liaison Committee (CLC) of the Alliance for Telecommunications Industry Solutions (ATIS).

**"Operator Service"** has the meaning set forth in Section 5.1.1 of Attachment 2 of the Agreement.

**"OSS"** means operations support systems.

**"Parties"** means Sprint and GTE.

**"Permanent Number Portability (PNP)"** means the use of the Location Routing Number (LRN) database solution to provide fully transparent LNP for all customers and all providers without limitation.

**"Pole Attachment"** means the connection of a facility to a utility pole. Some examples of facilities are mechanical hardware, grounding and transmission cable, and equipment boxes.

**"Public Safety Answering Point" or "PSAP"** means an answering location for 9 1 1 calls originating in a given area. A PSAP may be designed as Primary or Secondary, which refers to the order in which calls are directed for answering. Primary PSAPs respond first; Secondary PSAPs receive calls on a transfer basis only, and generally serve as a centralized answering location for a particular type of emergency call. PSAP's are staffed by employees of Service Agencies such as police, fire or emergency medical agencies or by employees of a common bureau serving a group of such entities.

**"Quality Standards"** are referenced in Section 11.3, Sections 9 and 9.4.1 of Attachment 5, and Attachment 12 of the Agreement.

**"Real Time"** means interactive system-to-system communications and response (of the type described in Section 29.1.2 and Attachment 13) in the actual time in which an event takes place, with the reporting on or recording of the event practically simultaneous (given or assuming network and systems' capabilities) with the occurrence of the event.

**"Recipient"** means that party to this Agreement to which Confidential Information has been disclosed by the other party.

**"Recorded Usage Data"** has the meaning set forth in Attachment 7 of the Agreement.

**"Remote Call Forwarding" or ("RCF")** has the meaning set forth in Section 2.2 of Attachment 8 of the Agreement.

**"Release"** means any release, spill, emission, leaking, pumping, injection, deposit, disposal, discharge, dispersal, leaching, or migration, including without limitation, the movement of Environmental Hazards through or in the air, soil, surface water or groundwater, or any action or omission that causes Environmental Hazards to spread or become more toxic or more expensive to investigate or remediate.

**"Right of Way (ROW)"** has the meaning set forth in Section 3.1.9 of Attachment 3 of the Agreement.

**"SECAB"** means the Small Exchange Carrier Access Billing document prepared by the Billing Committee of the OBF. The Small Exchange Carrier Access Billing document, published by Bellcore as Special Report SR OPT - 001856, contains

the recommended guidelines for the billing of access and other connectivity services.

**"Served Premises"** means collectively, all of the locations selected by Sprint for or to which Sprint orders Network Elements, Ancillary Functions or Combinations.

**"Signaling Link Transport"** has the meaning set forth in Section 9.1 of Attachment 2 of the Agreement.

**"Signaling Transfer Points"** has the meaning set forth in Section 10.1 of Attachment 2 of the Agreement.

**"State"** has the meaning set forth in the preamble.

**"Structure"** has the meaning set forth in Section 3.1.4.1 of Attachment 3 of the Agreement.

**"Tandem Switching"** has the meaning set forth in Section 12.1 of Attachment 2 of the Agreement.

**Telecommunications Service** has the meaning set forth in Section 3 of the Act.

**"Telephone Relay Service"** has the meaning set forth in Section 26.6 of the Agreement.

**"TSLRIC"** has the meaning set forth in Section 2 of Attachment 14 of the Agreement.

**"Thousands Block of Numbers"** shall mean 1000 or more consecutive numbers beginning and ending on a digit boundary, e.g., 949-1000 to 949-1999.

**"Transit Service"** has the meaning set forth in Section 37.5.2 of the Agreement.

**"Unbundled Network Element Bill"** means a Bill for Unbundled Network Element Charges.

**"Unbundled Network Element Charges"** has the meaning set forth in Section 2.1 of Appendix B to Attachment 6 of the Agreement.

**"Voluntary Federal Customer Financial Assistance Programs"** are Telecommunications Services provided to low-income subscribers, pursuant to requirements established by the appropriate state regulatory body.

**"Waste"** means all hazardous and non-hazardous substances and materials which are intended to be discarded, scrapped, or recycled, associated with activities Sprint or GTE or their respective contractors or agents perform at Work Locations. It shall be presumed that all substances or materials associated with such activities, that are not in use or incorporated into structures (including without limitation damaged components or tools, leftovers, containers, garbage, scrap, residues or byproducts), except for substances and materials that Sprint, GTE or their respective contractors or agents intend to use in their original form in connection with similar activities, are Waste. "Waste" shall not include substances, materials or components incorporated into structures (such as cable routes) even after such components or structure are no longer in current use.

**"Wire Center"** means a building or space within a building that serves as an aggregation point on a LEC's network, where transmission facilities and circuits are connected or switched.

**"Work Locations"** means all buildings, equipment, structures, and other items located on a single site or contiguous or adjacent sites owned or operated by the same person or persons for the purpose of providing Telecommunications Services in connection with this Agreement.

**ATTACHMENT 12**

**SERVICE QUALITY STANDARDS AND PROCESSES**

**TABLE OF CONTENTS**

1. INTRODUCTION.....1

2. SERVICE QUALITY .....3

3. DEPLOYMENT .....4

4. PROCESSES.....7

5. CAPACITY PLANNING.....7

**APPENDICES**

- 1. DMOQS
- 2. DMOQ CATEGORIES
- 3. SPRINT SUPPLIER PERFORMANCE QUALITY MANAGEMENT SYSTEM
- 4. DEPLOYMENT PLAN
- 5. BONA FIDE REQUEST PROCESS
- 6. NEW SERVICES PROCESS

## **Service Quality Standards and Processes**

### **1. Introduction**

This Agreement contains provisions which are applicable to Local Services, Network Elements, including Ancillary Functions and features, and Combinations, access to GTE's poles, conduits and rights of way, and Interconnection Services, and shall apply on a national and/or an individual state basis, as herein specified or as otherwise established by agreement of the parties or by the context in which a quality standard, process or measurement is applied. The service quality standards, processes and procedures, including Direct Measures of Quality (DMOQs), set forth in this Attachment shall apply to GTE's provision and performance of services, systems, processes and related activity under this Agreement, and are in addition to and not in place of or satisfaction of specific performance standards or obligations imposed on GTE elsewhere in this Agreement or in other Attachments to this Agreement. To the extent indicated in this Attachment, related performance obligations are imposed on Sprint, and the indicated service quality standards, processes and procedures shall apply to Sprint's performance of said obligations.

- 1.1.** Pursuant to Section 10 of this Agreement, Appendix 1 of this Attachment 12 sets forth the service standards, measurements and performance criteria, applicable to Local Services, Network Elements (including Ancillary functions and features) and Combinations provided under this Agreement, and the liquidated damages, payments, or credits to be paid, or other remedies to apply in the event that specified failures of performance occur.
- 1.2** The Parties recognize that this Agreement will establish new business processes. The Parties also expect that experience will show whether new measurements are needed or whether existing measurements are not needed. Either Party, therefore, may request the addition, deletion or modification of the measures set forth in the Appendices to this Attachment. In the event that the Parties cannot agree on such addition, deletion or modification, then the Party seeking the addition, deletion or modification may initiate the Dispute Resolution process prescribed in Attachment 1 to this Agreement.
- 1.3.** GTE shall provide services to Sprint that have substantially the same characteristics of timeliness and performance as GTE provides to itself, its affiliates (hereinafter referred to as "GTE's actual performance"). GTE's service performance, as defined by the designated comparable measures, shall be no worse than or no less than the specific performance threshold of GTE's actual performance for the equivalent service, subject to the definitions



contained within this Attachment 12. Sprint shall provide performance as defined by the designated comparable measures at no less than the specific performance thresholds contained within this Attachment 12. The calculation of those performance thresholds will be based on a three (3) month rolling average of actual performance unless otherwise specified. Liquidated damages will apply when a Party's performance is worse than the specified performance threshold as described in this Attachment 12.

#### 1.4 Average Non-Recurring Charges

The Average Non-Recurring Charge is the sum of all non-recurring charges applied to service orders issued by Sprint to GTE divided by the total number of Sprint orders issued to GTE. These calculations will be made by service activity and service category, Business (Single/Multi-Line, Centrex, PBX Trunks), Residence, LINK, and ISDN. The Average Non-Recurring Charge will be separately calculated for field work and non-field work orders. These Averages and a weighting factor for field and non-field work will be calculated during a study period to be mutually agreed between the Parties. The initial average non-recurring charge calculation will occur within three (3) months of Sprint's initial issuance of orders. The average non-recurring charge shall be recalculated when there is a non-recurring charge rate change, and annually as part of the Interconnection Agreement Annual Review.

#### 1.5. Average Recurring Charges

The Average Recurring Charge is the sum of all recurring charges applied to service orders issued by Sprint to GTE divided by the total number of Sprint orders. These Averages will be calculated during a study period to be mutually agreed between the Parties. These calculations will be made by service activity and service category, Business (Single/Multi-Line, Centrex, PBX, Trunks), Residence, LINK and ISDN. The initial average recurring charge calculation will occur within three (3) months of Sprint's initial issuance of orders. The average recurring charge shall be recalculated when there is a recurring charge rate change, and annually as part of the Interconnection Agreement Annual Review.

#### 1.6 DMOQs are categorized by the Parties as:

CATEGORY 1;  
CATEGORY 2; or  
CATEGORY 3.

Category 1: Those primary Performance Measures which the Parties agree must be delivered at performance threshold either by state or at a national

level or as specified per measure. These DMOQs will carry financial incentives in the form of debits or credits to a Party's bill when a current month's performance is worse than the performance threshold. In addition, gap closure plan incentives will apply to Category 1. (Example: Due Date Commitments Met).

Category 2: Those secondary Performance Measures which are indicators of predicted performance and which the Parties agree must be delivered at or above the performance threshold either at a national level by state as specified in Appendix 2 of Attachment 12. While financial incentives do not apply to these Category 2 DMOQs, gap closure plan financial incentives will apply. (Example: Repair Ticket Closures).

Category 3: Those DMOQs which the Parties may determine to be necessary and appropriate, but which require additional evaluation to permit that determination. The Implementation Team established under this Attachment will review and consider each such Category 3 DMOQ to make the aforementioned determination. If the Implementation Team determines that a Category 3 DMOQ is necessary and appropriate, it will reclassify the DMOQ in question as Category 1 or Category 2.

- 1.7 The Parties' agreement to these standards, processes and procedures does not waive or limit the rights of either Party to initiate the Dispute Resolution processes provided in Attachment 1 to this Agreement, nor to initiate or pursue other administrative, judicial or arbitration proceedings to enforce rights or obligations under this Agreement or under governing law.
- 1.8 The service standards, processes and procedures set forth in this Attachment shall not relieve the Parties of any obligations otherwise imposed by the Telecommunications Act of 1996, by the rules, regulations and guidelines duly promulgated thereunder, or by other applicable state or federal law, nor constitute a waiver by the Parties of any rights relating to such obligations.
- 1.9 As used in this Attachment, Contract Month means a calendar month during the term of this Agreement. Contract Month 1 shall commence on the first day of the first full calendar month following the Effective Date. However, if the Effective Date is on the first day of a Calendar Month, that month will be Contract Month 1.

## 2. Service Quality

- 2.1 GTE and Sprint recognize and acknowledge the mutual benefit of a Customer-Supplier relationship built upon proven Quality Management Systems.

- 2.2** DMOQs. GTE will provide Local Service, Network Elements and Ancillary Functions in accordance with the service parity standards and other measurements of quality ("DMOQs") described and agreed to in this Attachment and in the Appendices to this Attachment. In the event that either Party fails to meet an applicable DMOQ, the procedures described in Appendix 1 shall be followed.
- 2.3** Service Guarantees. The credits and waivers described in Appendix 2 are intended to serve as an incentive for the Parties to fulfill certain of their commitments under this Agreement.
- 2.4** Sprint Supplier Performance Quality Management System. As one method of achieving quality and reliability for services ordered from GTE, GTE agrees to implement the Sprint Supplier Performance Quality Management System described in Appendix 3 to this Attachment.

**3. Deployment**

- 3.1.** Deployment Plan. The Deployment Plan is a staged approach to the implementation of processes, procedures and systems required by this Agreement. The Deployment Plan describes the Parties' attempt to implement a process for attaining performance at or better than the performance threshold.

The Parties agree to implement the provisions of this Agreement in accordance with the Deployment Plan set forth in Appendix 4 to this Attachment. The Parties agree to negotiate, by the end of Contract Month 1, additional requirements which relate to those obligations of the parties in this Agreement that are not addressed in the Deployment Plan.

Thereafter, the Deployment Plan may be revised from time to time to add any additional requirements established by the Parties as part of the implementation process.

- 3.2.** Implementation Team.

The Parties understand that the arrangements and provision of services, network elements and ancillary functions described in this Agreement shall require technical and operational coordination between the Parties. The Parties further agree that it is not feasible for this Agreement to set forth each of the applicable and necessary procedures, guidelines, specifications and standards that will promote the Parties' provision of Telecommunications Services to their respective Customers. Accordingly, the Parties agree to form a team (the "Implementation Team") which shall develop and identify

those additional processes, guidelines, specifications, standards, terms and conditions necessary for the provision of the services, network elements and ancillary functions, and for the specific implementation of each Party's obligations hereunder, including those described in the Deployment Plan. Within five (5) days after the Effective Date, each Party shall designate, in writing, not more than four (4) persons to be permanent members of the Implementation Team; provided that either Party may include in meetings or activities such technical specialists or other individuals as may be reasonably required to address a specific task, matter or subject. Each Party may replace its representatives on the Implementation Team by delivering written notice thereof to the other Party. Furthermore, the Deployment Plan will describe the Parties' attempt to implement a process for attaining and maintaining service parity.

### **3.3. Operations Plan.**

Within one hundred and twenty (120) days after the Effective Date, the Implementation Team shall reach agreements on the items listed in the Deployment Plan, which shall include processes, procedures, and milestones. The agreements reached by the Implementation Team shall be documented in an operations manual (the "Operations Plan"). The Operations Plan shall include documentation of the various items described in the agreement which are to be agreed upon by the Parties.

### **3.4. Action of Implementation Team.**

The Deployment Plan and the Operations Plan may be amended from time to time by the Implementation Team as the team deems appropriate. Unanimous written consent of the permanent members of the Implementation Team shall be required for any action of the Implementation Team. An escalation process will be put in place to support the resolution of disputed issues. If the Implementation Team and the escalation process are unable to resolve the issue, the existing provisions of the Deployment Plan and Operations Plan shall remain in full force and effect.

### **3.5. Further Coordination and Performance.**

Except as otherwise agreed upon by the Parties, on a mutually agreed upon day and time once a month during the Term of this Agreement, the Implementation Team shall discuss the performance of the Parties under this Agreement and apply the principles of the Sprint Supplier Performance Quality Management System. At each such monthly session the Parties will discuss: (i) the administration and maintenance of the interconnections and trunk groups provisioned under this Agreement; (ii) the Parties' provisioning of the

services, network elements and ancillary functions provided under this Agreement; (iii) the Parties' compliance with the DMOQs set forth in this Agreement and any areas in which such performance may be improved; (iv) any problems that were encountered during the preceding month or anticipated in the upcoming month; (v) the reason underlying any such problem and the effect, if any, that such problem had, has or may have on the performance of the Parties; and (vi) the specific steps taken or proposed to be taken to remedy such problem. In addition to the foregoing, the Parties, through their representatives on the Implementation Team or such other appropriate representatives, will meet to discuss any matters that relate to the performance of this Agreement, as may be requested from time to time by either of the Parties.

### **3.6. Operational Review**

**3.6.1.** Representatives of Sprint and GTE will meet on a quarterly basis, beginning with the end of the first quarter of 1997, to determine that the service cycle of pre-ordering, ordering, provisioning, maintenance and billing categories are addressed, including the following:

- a) Interfaces and processes are operational and the agreed upon numbers of Sprint Customers for residential and business Resale Services are successfully completed per day;
- b) Interfaces and processes are operational and the agreed upon numbers of orders for Network Elements, Ancillary Functions and Combinations are successfully completed per day;
- c) Interfaces and processes are operational and the Sprint orders for unbundled loops are successfully completed per day;
- d) All agreed upon performance standards and DMOQs will be reviewed with respect to the Implementation Plan.

**3.6.2.** If at any quarterly review it is determined that the requirements of this Agreement and the Act are not being met, the Parties may invoke the dispute resolution proceedings provided in Attachment 1 to this Agreement where allowed by applicable regulatory orders.

#### **4. Processes**

The Parties agree to implement the following processes as a means to provide a mechanism for addressing the individual requirements of Sprint in a specific state.

- 4.1.** Bona Fide Request. The Parties may agree that certain services, including features, capabilities, functionality, Network Elements, or Combinations, are to be ordered through the use of customized Service Orders. In such event, the Bona Fide Request Process described in Appendix 5 to this Attachment will be followed.
- 4.2.** New Services. Sprint may request from GTE that facilities, features, capabilities, functionality or services that are not already available under this Agreement at the time of such request be provided under this Agreement by delivering a New Services Request to GTE in accordance with the procedures described in Appendix 6 to this Attachment.

#### **5. Capacity Planning**

- 5.1** The Parties negotiated and included in this Agreement common provisions which are applicable to Local Services, Network Elements, including Ancillary Functions and features, and Combinations, access to GTE's poles, conduits and rights of way, and Interconnection Services for all geographic areas in which GTE provides Telecommunications Services on a national basis. However, the Parties recognize that certain provisions, in addition to pricing, must be handled on a state specific basis to address unique local requirements. These items are described below in this Attachment.
  - 5.1.1** By the end of Contract Month 1, Sprint will provide a forecast of the quantities of Local Services, Network Elements, Combinations and Ancillary Functions to be made available to Sprint during Contract Year 1 on a State-wide basis. The Parties shall meet during the last Contract Month of each Contract Year to agree upon the quantities of Local Services, Network Elements, Combinations and Ancillary Functions to be made available to Sprint for the next Contract Year. These quantities shall be sufficient to meet Sprint's anticipated requirements as communicated to GTE. If GTE is not able to meet Sprint's forecast requirements at any time during the term of this Agreement, GTE must document to Sprint within fifteen (15) days of receiving Sprint's forecast the reasons why such requirements cannot be met.
- 5.2** In addition, Sprint will furnish a per month quarterly forecast of service order volumes, quantities of Local Services, Network Elements, Combinations and Ancillary Functions on a State-wide basis. These forecasts will be furnished

at least one month before the beginning of the quarter covered by the forecast. These projections will allow GTE to provide sufficient Staff for the projected demand and to secure appropriate inventories to meet Sprint's requirements. In the event that the first month of Sprint's next quarterly forecast is greater than ten (10%) percent of the last month of the current quarter forecast, Sprint will notify GTE promptly of the increased order volume.

- 5.3** If Sprint actual order activity for a quarter is ten (10%) percent less than stated in its forecast submission to GTE for that quarter, then financial incentives as set forth in Appendix 2 will apply. If Sprint actual order activity for a quarter exceeds the level stated in its forecast submission to GTE for that quarter pursuant to Section 5.2 of this Attachment 12, then as to such order activity in excess of forecast levels, the remedies otherwise applicable for missed service order commitments in the Category 1 and Category 2 DMOQs and preparation of Gap Closure Plans shall not apply.
- 5.4** Sprint will provide forecasts as specified in Sections 5.1 and 5.2 on a sub-State basis, provided, however, that Sprint will provide such forecasts only after the Parties have mutually agreed on a definition of "sub-State" and further provided, that no penalties shall apply to sub-State forecasts.
- 5.5** At the meeting to be held during the last Contract Month of each Contract Year, Sprint will provide GTE with a two (2) year rolling forecast of its growth requirements for Ancillary Functions that will be reviewed jointly on a yearly basis.

**Appendix 1  
to  
Attachment 12**

**DMOQs**

**1. General**

The DMOQs in this Appendix are managed as part of the Supplier Performance Quality Management System (SPQMS).

SPQMS requires that when the monthly results do not meet the performance levels described in Appendix 2 to this Attachment, Gap Closure Plans shall be implemented to improve performance. The intent of a Gap Closure Plan is to identify and implement expeditiously those actions necessary to close performance gaps to the acceptable levels of performance established by the Parties under this Agreement and this Attachment. The Parties anticipate that Gap Closure Plans will typically be of six to nine months' duration.

These Gap Closure Plans include:

- evaluation of the opportunity for continuous improvement, systems enhancements and re-engineering;
- forecasted improvement to the desired DMOQ for each issue or initiative;
- evaluation of pertinent changes in periodic results; and
- a date for compliance with Sprint's expected performance.

The Gap Closure Plans will be reviewed monthly, or more frequently as updated data and analysis are available.

**2. Measurements**

The specific measurements which apply to this Agreement are described in Appendix 2. The Parties agree to meet on an annual basis to discuss whether changes should be made to any DMOQs or performance objectives.

**3. Performance Incentives**

- 3.1.** If either Party fails to meet an applicable Category 1 or 2 DMOQ for Three (3) Contract Months in a Six (6) Month period, that Party must thereafter submit



to the other Party a draft of a Gap Closure Plan within thirty (30) days of receipt of notice that the DMOQ(s) was (were) not met.

- 3.2.** If either Party required under Section 3.1 preceding to deliver a draft Gap Closure Plan to the other Party fails or fails within the prescribed time period to do so, then the other Party shall receive a credit or payment of Five Thousand Dollars (\$5,000.00). Said payment or credit shall be made within three (3) business days of the entitled Party's demand therefor.
- 3.3.** Sprint and GTE will agree upon an approval date for the Gap Closure Plan within ten (10) days of the delivery of the draft Gap Closure Plan.
- 3.4.** The Party subject to the Gap Closure Plan will commence implementation of the Gap Closure Plan on its approval date. If that Party fails to meet its commitments under the Gap Closure Plan, the other Party shall receive a credit or payment, as appropriate, in the sum of up to Fifteen Thousand dollars (\$15,000) payable on demand within three (3) business days, as described in Sections 3.4.1, 3.4.2 and 3.4.3 below.
  - 3.4.1** Payment of Five Thousand Dollars (\$5,000) for failure to implement the process improvements outlined in the plan. The parties may with mutual agreement modify the process improvements in the plan during the life of the plan.
  - 3.4.2** Payment of Five Thousand Dollars (\$5,000) for failure to achieve performance improvements by the completion date of the approved Gap Closure Plan.
  - 3.4.3** Payment of Five Thousand Dollars (\$5,000) for failure to complete the Gap Closure Plan on schedule.
- 3.5** GTE is committed to service parity at the start of Sprint's Local Service operations. Both parties recognize that a sufficient volume of orders must be processed before a DMOQ can exhibit with a degree of confidence that parity does or does not exist.

The Parties agree to a "transition period" where process data will be accumulated and discussed. This information will assist the Implementation Team in their development and implementation of processes.

For national DMOQs, once Sprint's order volume reaches a level of one hundred fifty (150) orders for three (3) consecutive months, a ninety (90) day grace period will begin, with respect to the performance incentives prescribed

for each DMOQ under this Attachment. At the end of that ninety (90) day grace period, those performance incentives shall fully apply.

For State DMOQs, once Sprint's order volume reaches a level of one hundred fifty (150) orders for the State for three (3) consecutive months, a ninety (90) day grace period will begin, with respect to the performance incentives prescribed for each DMOQ under this Attachment. At the end of that ninety (90) day grace period, those performance incentives shall fully apply.

- 3.6** The purpose of the payments described above are to serve as an incentive for the Parties to improve their respective performance, not as a substitute for either Party's right to institute dispute resolution processes under Attachment 1 of this Agreement.

**Appendix 2**  
**to**  
**Attachment 12**  
**DMOQ Categories**

1. Category 1 DMOQs

- 1.1 Table 1 below lists the Category 1 DMOQs for each of the pre-ordering, ordering and provisioning, interconnection, maintenance and repair, forecasting, and billing classifications. For each Category 1 DMOQ classification, column 1 indicates the number of the DMOQ within the classification. Column 2 indicates which Party has the obligation to meet the DMOQ performance measurement, with a "G" indicating a GTE obligation and an "A" indicating an Sprint obligation. Column 3 indicates whether the relevant DMOQ performance measurement data is compiled on a national level ("N"), by state ("S"), or by each occurrence of the DMOQ ("P"). Column 4 contains a description of each DMOQ within each classification. Column 5 describes, for each DMOQ, the performance measurement that applies to the DMOQ. Column 6 shows the remedy that must be paid by the Party that has the obligation to meet the DMOQ if that Party has failed to meet the performance thresholds set forth in column 5.
- 1.2. The Parties agree to provide performance at or above the performance thresholds for each applicable DMOQ as indicated in Table 1 following. Each Party also agrees to pay to the other Party the remedies applicable to each DMOQ for which it has an obligation to meet the performance thresholds but has failed to do so.

**TABLE 1**  
**CATEGORY 1 DMOQs**

|   |   |   | <b>DESCRIPTION</b>   | <b>MEASURE</b>   | <b>REMEDY</b>  |
|---|---|---|--|--|--|
|   |   |   | <b>Pre-Ordering/Ordering/Provisioning</b>                          |  |  |
| 1 | G | N | Prompt transmission of Customer Service Record ("CSR") Information | 85% of CSRs sent to Sprint by the close of business on business day following receipt of request.  | 5% of Average Non-Recurring Charges incurred by Sprint for the number of CSRs for which the Quality Standard is not met in the reported month.         |
| 2 | G | N | Prompt transmission of Firm Order Confirmation ("FOC")             | 85% of FOCs sent to Sprint by the close of business on business day following receipt of request.  | 20% of Average Non-Recurring Charges incurred by Sprint for the lines ordered for which GTE failed to meet the Quality Standard in the reported month. |
| 3 | G | S | Due Date commitments met   | Percent of Sprint Customer install, transfer and change service orders for which service is installed by close of business on the committed due date is not more than 2.5 percent below the percent of GTE customer install, transfer and change service orders. | Waiver of the Average Non-Recurring Charges installation charges for the number of lines by which GTE fails to meet the Quality Standard in the        |

|   |   |   | DESCRIPTION   | MEASURE  | REMEDY  |
|---|---|---|---|--|---|
|   |   |   |   |  | reported month.   |
| 4 | G | S | % Reporting trouble within 30 days of the date installed        | Percent of Sprint customer install, transfer and change service orders which are followed by a customer trouble report within 30 days of service order completion date is not more than 2.5 percent worse than the percent GTE customer install, transfer and change service orders which are followed by a customer trouble report within 30 days of service order completion date. | One month's average recurring charge per trouble report exceeding the Quality Standard in the reported month. (not to exceed one credit per customer line per month).                     |
| 5 | A | S | Service Order Discrepancy: LSRs issued without material errors. | 80 percent of LSRs initiated by Sprint do not contain an order discrepancy or error. Twelve (12) months after this measurement becomes effective, the metric shall change to 90 percent.   | Payment by Sprint to GTE equal to 20% of the average non-recurring installation charges for the number of lines by which Sprint fails to meet the Quality Standard in the reported month. |
| 6 | G | N | PIC Changes completed within 24 hours                           | 85% of the time the PIC changes will be completed within 24 hours.   | PIC change charge credit for all PIC changes worse than the quality standard.   |
|   |   |   | <b>Interconnection</b>  |  |   |
| 1 | G | S | Trunk orders completed on or before the Committed Due           | Percent of trunk orders by Sprint completed by GTE on or before the commitment date is not more than 10 percent below the percent of   | Waiver of 100% of Average Non-Recurring Charges for trunks ordered  |

|   |   |   | DESCRIPTION   | MEASURE   | REMEDY   |
|---|---|---|---|---|--|
|   |   |   | Date.   | feature group B & D switched access orders by all ordering companies completed by GTE on or before the commitment date.   | for which GTE failed to meet the Quality Standard in the reported month.   |
| 2 | G | N | Firm Order Confirmation (FOC) time delivery                     | Percent of trunk orders by Sprint completed by GTE on or before the commitment date is not more than 5 percent below the percent of feature group B & D switched access orders by all ordering companies for which GTE sends FOC within 5 days. | Waiver of 20% of Average Non-Recurring installation charges for trunks ordered for which GTE failed to meet the Quality Standard in the reported month.                            |
| 3 | A | N | Service Order Discrepancy: ASRs issued without material errors. | 80% of ASRs initiated by Sprint do not contain a material error or result in a discrepancy. Twelve (12) months after this measurement becomes effective, the metric shall change to 90 percent.   | Charge equal to 20% of Average Non-Recurring Charges for installation of trunks ordered for which Sprint failed to meet the Quality Standard in the reported month.                |
| 4 | G | P | Collocation: Conditioning of space provided for Collocation.    | The time Sprint's collocated space is not available to Sprint for installation of equipment by the agreed upon due date.  | The credit will be calculated by dividing the monthly recurring charge for such collocated space by 30, times the number of days delayed. This penalty does not apply if the delay |

|   |   |   | <b>DESCRIPTION</b>   | <b>MEASURE</b>   | <b>REMEDY</b>   |
|---|---|---|--|--|---|
|   |   |   |  |  | circumstances are beyond GTE's control.   |
| 5 | G | P | Collocation: Outage of Sprint Equipment Collocated in GTE space. | The time Sprint's collocated equipment is out of service due to GTE's failure to comply with its obligations under this agreement. | Sprint will receive an outage credit calculated by dividing the monthly recurring charge for such collocated space by 30, times the number of days of outage. This penalty does not apply if the delay circumstances are beyond GTE's control.                                    |
| 6 | G | P | Rights of Way (ROW), Conduit and Pole Attachments Availability.  | When ROW, Conduit and Pole-Attachments are not available to Sprint by the agreed upon due date.                                    | Sprint will receive a credit in the amount proportionate to the length of the delay. The credit will be calculated by dividing the annual rental charge by 365 times the number of days delayed. This penalty does not apply if the delay circumstances are beyond GTE's control. |

|   |   |   | DESCRIPTION   | MEASURE   | REMEDY  |
|---|---|---|---|---|---|
|   |   |   | <b>Maintenance/Repair</b>                             |   |   |
| 1 | G | S | Percent commitments met.                              | Percent of Sprint customer network trouble reports where commitment met was more than 2.5 percent worse than the percent of GTE customer network trouble reports where commitment was met (excluding reports which are cleared CPE, Sprint Customer error).   | One month's flat rate average recurring charge per line out of service for which Quality Standard is not met in the reported month. |
| 2 | G | S | Average clearing time - out of service - Designed.    | Average repair time (total number of elapsed hours/minutes for out of service Sprint Customer network trouble reports divided by total number out of service customer network trouble reports) for Sprint Customers is more than 10 percent more than the average repair time for GTE Customers (includes only "designed" services).                      | One month's flat rate average recurring charge per line out of service for which Quality Standard is not met in the reported month. |
| 3 | G | S | Average clearing time - out of service - non-designed | Average repair time (total number of elapsed hours/minutes for out of service customer network trouble reports divided by total number out of service customer network trouble reports) for Sprint Customers is more than 10 percent more than the average repair time for GTE customers (includes only POTS and circuits which do not require a design). | One month's flat rate average recurring charge per line out of service for which Quality Standard is not met in the reported month. |
| 4 | G | S | Percent reports per 100 (failure frequency)           | Percent of Sprint Customers making trouble reports (total number of Sprint Customer network trouble reports divided by the total access lines multiplied by 100) is not worse   | One month's flat rate average recurring charge per line out of service for which  |



|   |   |   | <b>DESCRIPTION</b>                       | <b>MEASURE</b>  | <b>REMEDY</b>  |
|---|---|---|--|---|--|
|   |   |   |  | than 0.5 percentage points than the percent of GTE customers making trouble reports.  | Quality Standard is not met in the reported month.   |
| 5 | G | S | Percent repeat reports in 30 days        | Percent of Sprint Customer repeat trouble reports (total number of Sprint Customer network trouble reports which had a previous network trouble report within the last 30 days divided by the total number of customer network trouble reports multiplied by 100) is not more than 2.5 percent worse than the percent of GTE customer repeat trouble reports. | One month's flat rate average recurring charge per line out of service for which Quality Standard is not met in the reported month.  |
|   |   |   | <b>Forecasting</b>                       |   |  |
| 1 | A | S | Resale requirements accurately forecast. | Volume of Sprint's resale requirements in a month is not greater than 10% below the amount forecast by Sprint in its most recent quarterly forecast (which shall have been made not later than 30 days prior to the quarter in question.)   | 20 percent of the Average Non-Recurring Charges for the number of service units below the forecast when the actual volume is greater than 10% and less than or equal to 30% under forecast.<br><br>40 percent of the Average Non-Recurring Charges for the number of service units below the forecast when the actual volume is greater than |

|   |   |   | <b>DESCRIPTION</b>   | <b>MEASURE</b>   | <b>REMEDY</b>  |
|---|---|---|--|--|--|
|   |   |   |  |  | 30% and less than or equal to 40% under forecast.<br><br>50 percent of the Average Non-Recurring Charges for the number of service units below the forecast when the actual volume is over 40% under the forecast. |
|   |   |   | <b>Billing</b>   |  |  |
| 1 | G | N | Advance notification of late billing associated with the wholesale bill.                             | GTE agrees to develop, within six months of the Effective Date, a Quality Standard for the percent of notifications received by Sprint prior to late billing based upon a mutually agreed upon financially significant threshold. The documentation provided prior to late billing must include: 1) the anticipated bill date and 2) a reasonably accurate estimate of the adjustment or charge. | GTE will credit Sprint's national resale bill by \$5,000 per month for each month in which commitment is not met.  |
| 2 | G | N | Timeliness: Delivery of mechanized Customer Service Record (CSR) for wholesale billing verification. | GTE agrees to make by March 30, 1997, an initial assessment of its capability to measure the percent of CSRs received within 10 days of the actual bill date. The Implementation Team will determine the appropriate percent of CSRs to be delivered on time.  | GTE will credit Sprint's national resale bill by \$5,000 per month for each month in which commitment is not met.  |

**1.3. Outage Credits**

**1.3.1 Local Services, Network Elements and Combinations: Outage credits apply to interruptions of Local Services, Network Elements or Combinations, in accordance with applicable state Public Service Commission requirements.**

**1.3.1.1 If a Local Service, Network Element or Combination is interrupted, Sprint will be entitled to outage credits. An interruption period begins when Sprint reports to GTE that a Local Service, Network Element or Combination is interrupted (or GTE has knowledge that an interruption has occurred through service monitoring or other means). An interruption period ends when the Local Service, Network Element or Combination is repaired and returned to Sprint. A Local Service, Network Element or Combination is considered to be interrupted when there has been a loss of continuity, the Local Service, Network Element or Combination does not operate in accordance with the applicable service standards, or it is otherwise unavailable for use by Sprint. This definition is not intended to conflict with state Public Utility Commission requirements.**

**1.3.1.2 The Implementation Team will evaluate if and set the amount of outage credits for unbundled Network Elements and Combinations and determine when they should apply.**

2. Category 2 DMOQs

2.1 Table 2 below lists the Category 2 DMOQs for each of the pre-ordering, maintenance, and billing classifications. For each Category 2 DMOQ classification, column 1 indicates the number of the DMOQ within the classification. Column 2 indicates which Party has the obligation to meet the DMOQ performance measurement, with a "G" indicating a GTE obligation and an "A" indicating an Sprint obligation. Column 3 indicates whether the relevant DMOQ performance measurement data is compiled on a national level ("N"), by state ("S"), or by each occurrence of the DMOQ ("P"). Column 4 contains a description of each DMOQ within each classification. Column 5 describes, for each DMOQ, the performance measurement that applies to the DMOQ.

2.2 The Parties agree to provide performance at or above the performance thresholds for each applicable DMOQ as indicated in Table 2 following.

TABLE 2  
 CATEGORY 2 DMOQs

|   |   |   | DESCRIPTION   | MEASURE   |
|---|---|---|---|---|
|   |   |   | <b>Pre-Ordering/Ordering/Provisioning</b>                                   |   |
| 1 | G | N | Average speed of answer per inquiry by GTE's call center within 20 seconds. | 80% of the time GTE will answer within 20 seconds                                 |
|   |   |   | <b>Maintenance</b>  |   |
| 1 | G | S | Average speed of answer per inquiry by GTE's call center within 20 seconds  | 80% of the time GTE will answer within 20 seconds.                                |
|   |   |   | <b>Billing</b>  |   |
| 1 | G | N | Timeliness: Charges billed in current wholesale billing period for          | GTE agrees to make, by March 30, 1997, an initial assessment of its capability to |

|   |   |   |   |  |
|---|---|---|---|--|
|   |   |   | flat rated services.  | measure the percent of dollar amount due for service orders billed in the current billing period in which the service order was completed and provide such assessment to Sprint so the Parties can agree on and establish performance thresholds.  |
| 2 | G | N | Timeliness: Charges billed within 90 days for usage charges.  | GTE agrees to make, by March 30, 1997, an initial assessment of its capability to measure the percent of dollar amount due for usage charges billed within 90 days from the date the service was rendered and provide such assessment to Sprint so the Parties can agree on and establish performance thresholds.                    |
| 3 | G | N | Accuracy: Financial accuracy of local OCC bills. Financial accuracy is the percent of total net dollars correctly billed. | GTE agrees to make, by March 30, 1997, an initial assessment of its capability to measure the percent of total net dollars accurately billed, excluding bill correcting adjustments resulting from Sprint's inaccurate LSRs, and provide such assessment to Sprint so the Parties can agree on and establish performance thresholds. |
| 4 | G | N | Timeliness: Making corrections and adjustments within agreed timeframes.  | GTE agrees to make, by March 30, 1997, an initial assessment of its capability to measure the percent of all corrections and adjustments made within agreed timeframes and provide such assessment to Sprint so the Parties can agree on and establish performance threshold.  |
| 5 | G | N | Customer Usage Data: File Transfer: GTE will initiate and transmit all files error free and without loss of signal.       | Meets Expectations: 6 months of file transfers without a failure.<br><br>Note: During the first 6 months after the Effective Date.   |
| 6 | G | N | Customer Usage Data: Timeliness: Delivery of all messages delivered   | GTE's initial service performance threshold will be 94% of all messages delivered  |

|   |   |   |   |   |
|---|---|---|---|---|
|   |   |   | within 5 days of when the message was recorded.                   | within 5 days from when the message was recorded. GTE agrees to make, by March 30, 1997, an initial assessment as to what a parity level of performance should be. Within six months of the contract Effective Date, the Parties will agree on an ongoing performance measure and associated penalties.   |
| 8 | G | N | Customer Usage Data: Accuracy of transmitted customer usage data. | An initial service delivery threshold will be established at 99% of recorded usage data correctly transmitted to Sprint. GTE agrees to make, by March 30, 1997 an initial assessment as to what a parity level of performance should be. Within six months of the contract effective date, the Parties will agree on an ongoing performance measure and associated penalties. |

3. Category 3 DMOQs

3.1 Table 3 below lists the Category 3 DMOQs for each of the pre-ordering, ordering and provisioning, maintenance, and billing classifications. For each Category 3 DMOQ classification, column 1 indicates the number of the DMOQ within the classification. Column 2 indicates which Party may have the obligation to meet the DMOQ performance measurement, with a "G" indicating a potential GTE obligation, an "A" indicating a potential Sprint obligation and "T" indicating the party is to be determined. Column 3 indicates whether the relevant DMOQ performance measurement data might be compiled on a national level ("N"), by state ("S"), or by each occurrence of the DMOQ ("P"). Column 4 contains a description of each DMOQ within each classification.

3.2 The Parties agree to form an Implementation Team pursuant to Section 3.2 of Attachment 12, to consider and determine whether each Category 3 DMOQ shall be reclassified as a Category 1 or Category 2 DMOQ or should be removed as a Category 3 DMOQ without reclassification. If the Implementation Team agrees to reclassify a Category 3 DMOQ as either a Category 1 or Category 2 DMOQ, the Implementation Team will also establish a performance threshold and performance remedies for that DMOQ. The Implementation Team will set a schedule for considering and determining any such reclassifications under this Paragraph no later than six months after the Effective Date of this Agreement.

TABLE 3  
 CATEGORY 3 DMOQs

|   |   |   | DESCRIPTION  |
|---|---|---|--|
|   |   |   | <b>Pre-Ordering/Ordering/Provisioning</b>  |
| 1 | A | N | Service Order Discrepancy: LSRs issued without material errors. The Implementation Team will evaluate and produce a plan to migrate from the 90% performance threshold to the 95% target performance threshold.  |
| 2 | G | N | Real Time Solution: Tracks the time required to receive one or more telephone numbers via a system interface. The interval starts with the request message leaving Sprint's system and ends with the response message arriving at Sprint's system. The DMOQ tracks the percentage of intervals that are less than 5 seconds. |

|    |   |   | <b>DESCRIPTION</b>  |
|----|---|---|---|
| 3  | T | N | Real Time Solution: Tracks the time required to receive address confirmation information via a system interface.  |
| 4  | T | N | Real Time Solution: Service Availability Inquiry Time.  |
| 5  | T | N | Real Time Solution: Feature Availability Inquiry Time   |
| 6  | T | N | Real Time Solution: Appointment Schedule Inquiry Time.  |
| 7  | T | N | Real Time Solution: Customer Service Record (CSR) Inquiry Time.   |
| 8  | T | N | Disconnect Order Completion Interval. Measures how long it takes to complete a disconnect. Residence: within twenty-four (24) hours after acceptance of a service order. Business: Within four (4) hours after acceptance of a service order if a software change is required. Business: Within twenty-four (24) hours after acceptance of a service order if a central office change is required. Business: Within ninety-six (96) hours after acceptance of a service order if a customer premises visit is required. |
| 9  | T | N | Installation line energizing commitments (request for establishment or changes in non-key, non-PBX and party line services that normally involve plant activity.  |
| 10 | G | N | PIC Migration: Measures the percent of migration notifications sent to Sprint within forty-eight (48) hours of receipt of the migration order. As a measurement of performance standards, this metric will comply with the specific performance level shown below. Measurements will be calculated by Business (single and multi-line, Centrex, PBX trunks), Residence, LINK and ISDN.  |
| 11 | G | N | Directory Assistance: Tracks the levels of Directory Assistance performance levels for resold services and unbundled network elements.  |
| 12 | G | N | GTE shall provide LIDB performance standards. Sprint will specify expectations of performance such as 1) at least 99.9% reply rate to all query attempts; 2) Data in LIDB replies shall have at no more than 2% unexpected data value, for all inquiries.   |
| 13 | A | S | Forecasting. Implementation Teams will work together to define sub-state forecasting levels. The Parties agree that no penalties shall apply to any sub-state levels that may be defined by the Implementation Team.  |
|    |   |   | <b>Maintenance</b>  |



|   |   |   | <b>DESCRIPTION</b>  |
|---|---|---|---|
| 1 | G | S | Quoted restoral commitments met.  |
| 2 | G | S | Status Call to Sprint: when restoral commitments are missed, on trouble progress, or on restoration.  |
| 3 | T | S | Network event with blocked calls or lost features within one hour.  |
| 4 | G | S | Time to Restore<br><ul style="list-style-type: none"> <li>- Out of Service &amp; Visit Required at 4, 8, or 16 hours after initial outage.</li> <li>- Out of Service &amp; No Visit required at 2, 3, or 4 hours after initial outage.</li> <li>- All Other Troubles at twenty-four (24) hours after initial outage.</li> </ul>   |
|   |   |   | <b>Billing</b>  |
| 1 | G | N | Timeliness: GTE will mechanically transmit, via Connect: Direct, all usage records to Sprint's Message Processing Center three times per day at expected performance threshold of 99.94% of all messages delivered on the day the call was recorded.  |
| 2 | G | N | Accuracy: GTE will provide Recorded Usage Data in the format and with the content as defined in the current Bellcore EMR document of expected performance threshold of 99.99% of all recorded records delivered.  |
| 3 | G | N | DATA PACKS: GTE will transmit to Sprint all data packs error free in the format agreed at an expected performance threshold of 6 months of transmitted data packs without a rejected data pack.   |
| 4 | G | N | Accuracy: Recorded Usage Data: GTE will ensure that the Recorded Usage Data is transmitted to Sprint error free, the level of detail includes but is not limited to: detail required to rate the call, Duration, and Correct Originating/Terminating information. The error is reported to GTE as a Modification Request (MR). Performance is to be measured at 2 levels defined below. Sprint will identify the priority of the MR at the time of handoff as Severity 1 or Severity 2 at expected performance threshold of less than or equal to 99% of the MR fixed in less than or equal to twenty-four (24) hours and 100% of the MR fixed in less than or equal to 5 days. |

|   |   |   | <b>DESCRIPTION</b>   |
|---|---|---|--|
| 5 | G | N | Usage Inquiry Responsiveness: GTE will respond to all usage inquiries within twenty-four (24) hours of Sprint's request for information. It is Sprint's expectation to receive continuous status reports until the request for information is satisfied.   |
| 6 | G | N | Business and Residence Mechanized wholesale bills adhere to specifications in the (Local Services Billing System e.g. CABS, BOS, SAIR, CRIS, etc.) specifications/requirements document. Accurate bills are those mechanized access bills which pass Sprint's validation edit process the first time at expected performance threshold of less than or equal to 99.5%. |
| 7 | T | N | Business and Residence: Billing Period Closure agreements are signed within the agreed timeframe (typically 60 to 90 days) at expected performance threshold of 100% per agreed timeframe.   |

**Appendix 3  
to  
Attachment 12**

**Sprint Supplier Performance Quality Management System**

Sprint's approach to quality and reliability focuses on the attainment of excellence for products and services ordered from its suppliers and used by Sprint. This excellence is the result of a systematic effort that is sustained over time.

**1. Quality Manual**

By the end of Contract Month 4, GTE will develop a Quality Manual that addresses the requirements described herein for the following :

- Management Responsibility and Support
- Quality System
- Document Control
- Process Control
- Product Development Control
- Alignment of Process Output with Agreed-to Requirements
- Identification of Non-conforming Product or Service
- Analysis of the Identified Non-conformance
- Corrective Action Plans
- Quality Records
- Audits and Reviews
- Training

The Quality Manual will be updated by GTE from time to time as additional process are identified. The Quality Manual and its revisions are subject to review and approval by Sprint.

**2. Process Ownership**

For each process identified in the Quality Manual, GTE will identify those individuals and organizations who have management responsibilities for each process which affects services to be provided to Sprint by GTE.

The initial individuals and organizations will be identified by GTE by the end of Contract Month 1. GTE shall provide prompt updates to Sprint of changes in personnel, organization or linkages.

### 3. Process Definition

For each process included in the Quality Manual, the following items will be addressed:

- a) input requirements;
- b) value-added process functionality; and
- c) output requirements which meet customer satisfaction

### 4. Measurement System

The Quality Manual will define the Measurement System to be used to obtain the data necessary to verify that DMOQs have been met, and to provide data needed to perform source cause and root cause analyses.

Changes to the agreed upon Measurement System must be reviewed with and concurred by Sprint prior to their implementation. GTE will review metrics on a monthly basis with Sprint and will be available for review and analysis, as mutually agreed to be necessary, for all services. Measures shall be Sprint specific and support Sprint service performance requirements.

### 5. Improvement Plan Implementation

GTE will establish monthly service performance and improvement reviews with Sprint.

Documentation will include Gap Closure Plans which result in compliance with agreed to performance standards and include:

- a) evaluation of the opportunity for continuous improvement, systems enhancements and re-engineering;
- b) forecasted improvement to the desired Direct Measure of Quality (DMOQ) for each issue or initiative;
- c) current and improved upon processes;
- d) control processes which GTE management will use for the transitional period;
- e) evaluation of pertinent changes in periodic (monthly, weekly) results;
- f) opportunities for source and root cause analyses; and
- g) a date for compliance with Gap Closure Plans implementation.

These Gap Closure plans will be reviewed monthly or, more frequently as updated data and analyses are available.

6. Sprint Leadership Reviews

GTE Senior Leadership shall meet with Sprint on at least a quarterly basis. GTE shall assure that resources are provided within GTE to support implementation of the Supplier Quality Performance Management Program.

7. Integration of Sprint Requirements

GTE will integrate the techniques of the Supplier Quality Performance Management Program described in this Appendix 3 in all aspects of the work that it performs on Sprint's behalf.

**Appendix 4  
to  
Attachment 12**

**Deployment Plan**

**1. Deployment Plan Activities:**

The Parties agree to complete the activities applicable to them no later than the times indicated for said completion on the following Table:

| <b>CONTRACT MONTH*</b> | <b>ACTIVITY</b>  |
|------------------------|--|
| <b>Effective Date</b>  | <b>Final agreement on DMOQs and Service Guarantees.</b>  |
| <b>Month 1</b>         | <ol style="list-style-type: none"> <li>1. Identification of individuals and organizations with management responsibilities (the Implementation Team) as described in Appendix 3 to Attachment 12.</li> <li>2. Agreement on Supplier Performance Quality Management System (SPQMS), Deployment Plan, activities, Milestones, and Implementation Schedule.</li> <li>3. Capacity planning for Contract Year 1 completed as described in Section 7 to Attachment 12.</li> <li>4. Agreement on escalation and expedite procedures as described in Section 30.2.2 of the Agreement.</li> <li>5. GTE furnishes a list of all emergency telephone numbers as described in Section 28.8 of the Agreement.</li> <li>6. Appointment of a standing arbitrator as described in Attachment 1.</li> </ol> |
| <b>Month 2</b>         | <ol style="list-style-type: none"> <li>1. Identification of single points of contact as described in and within Section 30 of the Agreement, Section 13 of Attachment 2, Sections 3 and 4 of Attachment 3, Section 2 of Attachment 4, Section 9 of Attachment 5, Section 2 of Attachment 6C, Section 5 of Attachment 7. and other Agreement or Attachment sections in this Agreement providing for such single points of contact.</li> <li>2. GTE proposes the process for handling requests for new services, features</li> </ol>   |

\* Unless indicated to be a specific date.

|   |  |
|---|--|
| <p><b>Month 3</b></p> <p><b>Month 4</b></p> | <p>and/or capabilities as described in Section 4.2 of Attachment 12.</p> <p>1. Agreement on the procedures to handle law enforcement agency requests as described in Section 28.11 of this Agreement.</p> <p>1. Quarterly SLT Review of SPQMS with GTE.</p> <p>2. Development of Quality Manual as described in Appendix 3 to Attachment 12.</p> |
| <p><b>Month 5</b></p>                       | <p>1. GTE will finalize the process for handling requests for new services, features and/or capabilities as described in Section 4.2 of Attachment 12.</p> <p>2. Finalize Operations Plan as provided in Section 3.3 of Attachment 12.</p>   |
| <p><b>Month 7</b></p>                       | <p>1. Quarterly SLT Review of SPQMS with GTE.</p>  |
| <p><b>Month 10</b></p>                      | <p>1. Quarterly SLT Review of SPQMS with GTE.</p>  |
| <p><b>Month 11</b></p>                      | <p>1. Annual Review of Performance Results Gap Closure plans per SPQMS.</p> <p>2. Annual Capacity Planning for Contract Year 2 is completed as described in Section 7 to Attachment 12.</p>  |

2. The Parties agree to negotiate by the end of Contract Month 4, additional requirements and milestones which relate to those obligations of GTE in this Agreement that are not addressed in the Deployment Plan, including, but not limited to, the implementation of the following:

- Electronic Interfaces as described in Section 29.1 of the Agreement and Section 5.1 of Attachment 4.
- Alternative Routing Capabilities as described in Section 28 of the Agreement.
- Service and Operational Readiness Testing as described in Attachment 29.8 of the Agreement.
- Alternative Interim Agreement for Local Service bills as described in Section 3 of Attachment 6A.
- Procedures for notifying Sprint of changes in retail services as described in Section 25.6 of the Agreement.
- Procedures for referring misdirected requests for Sprint products and services as described in Section 29.3 of the Agreement.
- Customer contact training as described in Section 29.6.6 of the Agreement.
- Procedures for referrals of misdirected calls for repair as described in Section 8 of Attachment 5.

- Replication of Access Billing Supplier Quality Certification Operating Agreement as described in Section 2.1.2 of Attachment 6.
- Interim arrangements for clearinghouse procedures as described in Section 9 of Attachment 7.
- Disaster recovery plans as described in Section 7 of Attachment 5.
- Route Indexing (RI) as described in Section 2.3 of Attachment 8.
- Processes for service ordering and provisioning of Local Services, Network Elements and Combinations.
- Processes for maintenance of Local Services, Network Elements and Combinations.



**Appendix 5  
to  
Attachment 12**

**Bona Fide Request Process**

1. Intent

The Bona Fide Request process is intended to be used when Sprint requests customized Service Orders for certain services, features, capabilities or functionality defined and agreed-upon by the Parties as services to be ordered as Bona Fide Requests.

2. Process

2.1 A Bona Fide Request shall be submitted in writing by Sprint and shall specifically identify the need to include technical requirements, space requirements and/or other such specifications that clearly define the request such that GTE has sufficient information to analyze and prepare a response.

2.2 Although not expected to do so, Sprint may cancel a Bona Fide Request in writing at any time prior to Sprint and GTE agreeing to price and availability. GTE will then cease analysis of the request.

2.3 Within two (2) business days of its receipt, GTE shall acknowledge in writing the receipt of the Bona Fide Request and identify a single point of contact and any additional information needed to process the request.

2.4 Except under extraordinary circumstances, within ten (10) days of its receipt of a Bona Fide Request, GTE shall provide a proposed price and availability date, or it will provide a detailed explanation as to why GTE is not able to meet Sprint's request. If extraordinary circumstances prevail, GTE will inform Sprint as soon as it realizes that it cannot meet the ten (10) day response due date. Sprint and GTE will then determine a mutually agreeable date for receipt of the request.

2.5 Unless Sprint agrees otherwise, all proposed prices shall be consistent with the pricing principles of the Act, FCC and/or the Commission. Payments for services purchased under a Bona Fide Request will be made upon delivery, unless otherwise agreed to by Sprint, in accordance with the applicable provisions of the Agreement.

2.6 Upon affirmative response from GTE, Sprint will submit in writing its acceptance or rejection of GTE's proposal. If at any time an agreement cannot be reached as to the terms and conditions or price of the request, the Dispute resolution procedures described in Attachment 1 may be used by a Party to reach a resolution.

2.7 If GTE responds that it cannot or will not offer the requested item in the Bona Fide Request and Sprint deems the item essential to its business operations, and deems GTE's position to be inconsistent with the Act, FCC or Commission regulations and/or the requirements of this Agreement, the Dispute resolution procedures described in Attachment 1 may be used by a Party to reach a resolution.

**Appendix 6  
to  
Attachment 12**

**New Services Process**

The Parties shall work cooperatively to establish a New Services Process with the objective of having this process in place within six (6) months following approval of this Agreement.

This process shall include consideration of the following principles:

- 1) Sprint will implement the process by submitting a request to GTE that defines the new services, features and/or capabilities in sufficient detail to permit GTE to analyze the request and prepare a preliminary response.
- 2) As part of the preliminary response, GTE will advise Sprint whether or not the request is technically feasible. If the requested service, feature and/or functionality is technically feasible, GTE will advise Sprint whether or not it is prepared to proceed with development and, if so, furnish a preliminary price estimate for the service, feature and/or functionality.
- 3) Upon affirmative response from GTE, Sprint will submit in writing its acceptance or rejection of GTE's proposal. If at any time an agreement cannot be reached as to the terms and conditions or price of the request, the Dispute resolution procedures described in Attachment 1 may be used by a Party to reach a resolution.
- 4) Sprint and GTE will jointly participate in the development of the new service, feature and/or functionality, using an agreed upon implementation plan.
- 5) Payments for the new service, feature and/or functionality will be made upon delivery, unless otherwise agreed to by Sprint, in accordance with the applicable provisions of the Agreement.

6) If GTE responds that it cannot or will not offer the requested service, feature and/or functionality and Sprint deems the item essential to its business operations, and deems GTE's position to be inconsistent with the Act, FCC or Commission regulations and/or the requirements of this Agreement, Sprint may use the Dispute resolution procedures described in Attachment 1 to reach a resolution.

**ATTACHMENT 13**  
**PRINCIPLES FOR IMPLEMENTING**  
**ELECTRONIC INTERFACES FOR**  
**OPERATIONS SUPPORT SYSTEMS**

1. PREORDERING .....1

2. ORDERING AND PROVISIONING INFORMATION EXCHANGE .....2

3. MAINTENANCE AND REPAIR.....4

4. LOCAL ACCOUNT MAINTENANCE .....5

5. TESTING AND ACCEPTANCE .....6

6. JOINT IMPLEMENTATION AGREEMENT DEVELOPMENT.....6

## **1. PREORDERING**

### **1.1 Transaction-Based Information Exchange**

The Parties agree that preordering information exchange will be transmitted over the same interface according to the same content definition both for resold GTE services and for services provided using UNE. Sprint and GTE will work together to establish a transaction-based electronic communications interface. Both parties will diligently pursue completing mutually consistent translations within six (6) months after the Effective Date of this Agreement and proceed to systems readiness testing that will result in a fully operational interface for local service delivery within one (1) year from the Effective Date of this Agreement. Sprint and GTE agree to adapt the interface based upon evolving industry standards. Changes to ATIS guidelines and standards relevant to Transaction-Based Pre-Order information exchange will be implemented based upon a mutually agreeable schedule, but in no case will the time for adoption, including testing of the changes introduced, extend more than 6 to 12 months beyond the date of initial closure by the relevant ATIS committee or subcommittee. This preceding target implementation obligation may be modified by mutual agreement.

### **1.2 Batch Data Information Exchange**

GTE will accept Sprint's request for an initial batch feed of information related to Switch/Feature Availability and Street Address Guide (or equivalent) data and relationship file information via an agreed upon format. At a minimum, this batch feed will include switch/feature availability, including but not limited to type of switching equipment and active features, and a means to reliably correlate a customer address with the assigned servicing office of GTE. Sprint and GTE agree to adapt the interface based upon evolving industry standards. Changes to ATIS guidelines and standards relevant to Batch Pre-Ordering Information Exchange will be implemented based upon a mutually agreeable schedule, but in no case will the time for adoption, including testing of the changes introduced, extend more than 6 to 12 months beyond the date of initial closure by the relevant ATIS committee or subcommittee. This preceding target implementation obligation may be modified by mutual agreement.

- 1.2.1 GTE will transmit the initial batch feed of the data within three (3) Business Days of receipt of the initial request by Sprint. In addition, GTE will provide complete refreshes of the data on a mutually agreeable monthly schedule. GTE will send the initial batch feed and subsequent monthly updates electronically over a mutually agreeable file transfer network (e.g., the Network Data Mover Network) using a mutually acceptable file transfer

protocol. Sprint and GTE will translate necessary data elements used in their internal processes into mutually agreeable and consistent file formats and record layouts. Both parties will diligently pursue completion of the definition of file formats, record layout and information content within six (6) months after the Effective Date of this Agreement and proceed to systems readiness testing that will result in a fully operational interface within one (1) year from the Effective Date of this Agreement.

## **2. ORDERING AND PROVISIONING INFORMATION EXCHANGE**

### **2.1 Sprint Resells GTE Telecommunications Service(s)**

The exchange of information relating to the ordering and provisioning of local service, when Sprint is the customer of record for the resold service(s), will be based upon the most current interpretations of the American National Standards Institute (ANSI) Accredited Standards Committee (ASC) X12 Standards as documented by the Service Order Subcommittee (SOSC) of the Telecommunications Forum/Electronic Data Interexchange (TCIF/EDI) committee. Sprint and GTE agree to adapt Ordering and Provisioning Information Exchange based upon evolving industry standards for forms-based information exchange, using Local Service Request (LSR) Form, End User Information Form, the Resale Service Form and any other relevant form developed by the OBF. In accordance with OBF, SOSC forms and transaction codes (i.e. 850, 860, 855, 865 and 997), GTE and Sprint agree to convey all necessary data to connect, modify or disconnect retail local services of GTE that Sprint resells. Sprint and GTE will translate ordering and provisioning requests originating in their internal processes into the agreed upon forms and industry transactions. Both parties will diligently pursue completion of mutually consistent translations within six (6) months after the Effective Date of this Agreement and proceed to systems readiness testing that will result in a fully operational interface for local service delivery within one (1) year from the Effective Date of this Agreement.

Changes to guidelines and standards relevant to ordering of services for resale will be implemented based upon a mutually agreeable schedule, but in no case will the time for adoption, including testing of the changes introduced, extend more than 6 to 12 months beyond the date of initial closure by the relevant ATIS committee or subcommittee. This preceding target implementation obligation may be modified by mutual agreement.

### **2.2 Sprint Provides Service Using GTE Unbundled Network Elements**

2.2.1 The Parties understand and agree that baseline information such as a main billing account, intercompany contact points, the 800 number for GTE to transfer a misdirected end user UNE customer's call, geographic coverage for

common use UNE, and other mutually agreeable information is required prior to the first UNE customer specific order. The parties also agree to document, in the Joint Implementation Agreement, the relevant information from the Sprint Infrastructure Footprint Form and the GTE CLEC Profile into a mutually acceptable notification mechanism. GTE will respond to the initial notification request with a batch feed of information related to Switch/Feature Availability and Street Address Guide (SAG) and relationship file that are further discussed in Section 1 (PREORDERING). Sprint and GTE may mutually agree to use an alternative format for exchange of Footprint Order related information, provided that the same information content is delivered. GTE will accept the Infrastructure/ Footprint Form developed by Sprint or the mutually agreed-upon equivalent format, until such time as Sprint and GTE agree that the OBF has adopted an acceptable alternative form. Sprint and GTE recognize that modifications to routing tables may be necessary in order to accommodate the treatment of customer calling associated with the combination of UNEs that Sprint may employ to deliver service. Both parties agree that a mutually agreeable mechanism for communicating routing changes, at the local office level, will be documented in the Joint Implementation Agreement relating to this interface. Unless another mutually agreeable mechanism is established, GTE will accept delivery of these forms through the ASR process, including passing of the information over a mutually agreeable file transfer network (e.g. the Network Data Mover Network) and file transfer protocol.

- 2.2.2 Unless otherwise agreed by the Parties, the customer specific provisioning order will be based upon OBF LSR forms. The applicable implementation guidelines described in the prior paragraphs relating to resale of GTE retail services also apply to the customer specific provisioning orders. GTE agrees that the information exchange will be forms-based using the Local Service Request Form, End User Information Form, Loop Service Form and Port Form, Loop Form with Number Portability, and Number Portability Form developed by the OBF. The SOSC interpretation of 850, 860, 855, 865, and 997 transactions, in accordance with the OBF forms, will be used to convey all the necessary data to connect, modify or disconnect GTE customer-specific UNEs employed by Sprint to deliver retail local services. Customer-specific elements include, but are not limited to, the customer loop, the network interface device, the customer-dedicated portion of the local switch and any combination thereof. Sprint and GTE will translate ordering and provisioning requests originating in their internal processes into the agreed upon forms and industry standard transactions. Both parties will diligently pursue completing mutually consistent translations within six (6) months after the Effective Date of this Agreement and proceed to systems readiness testing that will result in a fully operational interface for ordering UNEs within one (1) year from the Effective Date of this Agreement. Unless otherwise mutually agreed because



of time, cost and compatibility with existing systems, Sprint and GTE agree to adapt the interface based upon evolving industry standards. Adaptations to SOSC implementation guidelines, to the extent relevant to local service ordering and provisioning for customer specific UNEs, will be implemented based upon a mutually agreeable schedule. Changes to ATIS guidelines and standards relevant to Ordering and Provisioning Information Exchange will be implemented based upon a mutually agreeable schedule, but in no case will the time for adoption, including testing of the changes introduced, extend more than 6 to 12 months beyond the date of initial closure by the relevant ATIS committee or subcommittee. This preceding target implementation obligation may be modified by mutual agreement.

### **2.3 Treatment of Subsequent/Supplemental Transactions**

A mutually acceptable treatment of subsequent/supplemental transactions will be adopted by both parties until the SOSC explicitly clarifies the information exchanges associated with supplementing orders. Sprint and GTE will agree upon a mutually acceptable time frame for adapting their internal systems to accommodate the OBF clarifications.

## **3. MAINTENANCE AND REPAIR**

- 3.1 Maintenance and repair information exchange will be transmitted over the same interface according to the same content definition both for resold GTE retail local services and for services Sprint provides using a GTE UNE or combinations of GTE UNEs. Sprint and GTE will, for the purpose of exchanging fault management information, establish an electronic bonding interface, based upon ANSI standards T1.227-1995 and T1.228-1995, and Electronic Communication Implementation Committee (ECIC) Trouble Report Format Definition (TRFD) Number 1 as defined in ECIC documents ECIC/TRA/95-003, and all standards referenced within those documents. The parties will use and acknowledge functions currently implemented for reporting access circuit troubles. These functions include Enter Trouble, Request Trouble Report Status, Add Trouble Information, Modify Trouble Report Attributes, Trouble Report Attribute Value Change Notification and Cancel Trouble Report, all of which are fully explained in clauses 6 and 9 of ANSI T1.228-1995.

3.2 Sprint and GTE will exchange requests over a mutually agreeable X.25 network or, if both Sprint's and GTE's platforms are capable, a mutually agreeable TCP/IP based network may be employed. Sprint and GTE will translate maintenance requests or responses originating in their internal processes into the agreed upon attributes and elements. Both parties will diligently pursue completing mutually consistent translations within six (6) months after the Effective Date of this Agreement and proceed to systems readiness testing that will result in a fully operational interface for local service delivery within one (1) year after the Effective Date of this Agreement. Sprint and GTE agree to adapt the interface based upon evolving industry standards. Changes to ATIS guidelines and standards relevant to Local Service Maintenance will be implemented based upon a mutually agreeable schedule, but in no case will the time for adoption, including testing of the changes introduced, extend more than 6 to 12 months beyond the date of initial closure by the relevant ATIS committee or subcommittee. This preceding target implementation obligation may be modified by mutual agreement.

#### **4. LOCAL ACCOUNT MAINTENANCE**

- 4.1 When acting as the switch provider for Sprint, where Sprint either is reselling retail services of GTE or employing UNEs to provide local service, GTE will notify Sprint whenever the local service customer transfers service from Sprint to another local service provider. GTE will provide this notification via a mutually agreeable 4 digit Local Use Transaction Code Status Indicator (TCSI) that will indicate the retail customer is terminating local service with Sprint. GTE will transmit the notification, via a mutually agreeable file transfer network (e.g., the Network Data Mover Network) and file transfer protocol, within twenty-four (24) hours of GTE provisioning the switch. The TCSI, sent by GTE will be in the 960 byte industry standard CARE record format.
- 4.2 GTE will accept account changes that affect only the pre-subscribed intraLATA and/or interLATA toll provider (PIC) through a local service order. Additionally, Sprint and GTE will work together diligently to develop industry standard CARE processes to process account changes.
- 4.3 In addition, GTE will reject, via the industry standard CARE Record TCSI Code 3148, any interexchange carrier initiated change of the Primary Interexchange Carrier (PIC), where GTE is the switch provider either for the retail local services of GTE that Sprint resells or UNEs of GTE that Sprint employs in providing service.

- 4.4 Sprint and GTE agree to adapt the interface based upon evolving industry standards. Changes to ATIS guidelines and standards relevant to Local Account Maintenance will be implemented based upon a mutually agreeable schedule, but in no case will the time for adoption, including testing of the changes introduced, extend more than 6 to 12 months beyond the date of initial closure by the relevant ATIS committee or subcommittee. This preceding target implementation obligation may be modified by mutual agreement.
- 4.5 Agreement by the Parties to the Local Account Maintenance described above does not, in any way, set a precedent or remove any obligation for the Parties to work toward an industry solution for supporting customer movement between and among other ILECs and CLECs.

## **5. TESTING AND ACCEPTANCE**

Sprint and GTE agree that no interface will be represented as either generally available or as operational until end-to-end integrity and load testing, as agreed to in a Joint Implementation Agreement or other mutually acceptable document are completed to the satisfaction of both Parties. The intent of the end-to-end integrity testing is to establish, through the submission and processing of test scenarios, that transactions agreed to by Sprint and GTE will successfully process, in a timely and accurate manner, through both Parties' support OSS as well as the interfaces. The testing will include the use of mutually agreeable test transactions, designed to represent no less than 95 percent of the transaction types that Sprint and GTE expect to send and receive through the interface undergoing end-to-end testing. In addition, Sprint and GTE will establish either a mutually agreeable testing environment or an audit process sufficient to demonstrate that the interfaces established between Sprint and GTE have the capability and capacity to exchange busy period transaction volumes reasonably projected to occur during the forward-looking twelve month period following implementation of the interface. Sprint will provide mutually agreeable forecast data to GTE for the forward-looking twelve month period, necessary to determine capability and capacity. The test environment or audit process, which ever is utilized, must validate that GTE can accept and process the anticipated busy period load without degradation of overall end-to-end performance of the information exchange delivered to Sprint even when other CLEC transactions are simultaneously processed by GTE.

## **6. JOINT IMPLEMENTATION AGREEMENT DEVELOPMENT**

Sprint and GTE recognize that this Attachment is not sufficient to fully resolve all technical and operational details related to the interfaces described.

Therefore, Sprint and GTE agree to document the additional technical and operational details in the form of a Joint Implementation Agreement (JIA). Both parties further agree that any technical, operational or implementation issues, once identified at the working team level, may be escalated by the initiative of either Party, thirty days after an issue is identified, to the dispute resolution procedures of Attachment 1 for binding resolution. In addition, Sprint and GTE will document both a topical outline for the JIAs as well as establish a schedule for identifying, discussing, resolving and documenting resolution of issues related to each aspect of the JIA topical outline for each interface discussed in this document. In no event will either end-to-end integrity testing or load testing begin unless the parties agree that for each interface to be tested, the JIA properly documents the intended operation of the interface scheduled for testing. Any issues identified and subsequently resolved through either the end-to-end integrity or load testing processes will be incorporated into the impacted interface JIA within 30 days of issue resolution.

**Attachment 14**

**Sprint/GTE Pricing Agreement**

**TABLE OF CONTENTS**

**1. LOCAL SERVICE RESALE.....1**  
**2. UNBUNDLED NETWORK ELEMENTS.....2**  
**3. COLLOCATION.....2**  
**4. INTERCONNECTION SERVICES .....4**  
**5. OTHER.....4**

- Appendix 1 - Local Service Resale
- Appendix 1 - Annex 1 - Schedule of Wholesale Discounts
- Appendix 1 - Annex 2 - Summary of Wholesale Charges
- Appendix 2 - Prices for Unbundled Network Elements  
Washington
- Appendix 2 - Annex 1 - Network Element Pricing
- Appendix 3 - Prices for Collocation
- Appendix 3A - Alternate Prices for Collocation
- Appendix 4 - [Reserved]
- Appendix 5 - Prices for Local Number Portability
- Appendix 6 - Prices for Trunking Interconnection
- Appendix 7 - Prices for E911/911 Services
- Appendix 8 - Rights-of-Way, Conduits, Ducts and Pole Attachments

## **Attachment 14**

### **Sprint/GTE Pricing Agreement**

#### **1. Local Service Resale**

The prices charged to Sprint for Local Service shall be calculated using the avoided cost discount applicable in the State determined on the basis of the retail rate charged to subscribers for the telecommunications service requested, excluding the portion thereof attributable to any marketing, billing, collection, and other costs that will be avoided by GTE, as further specified in Appendix 1 to this Attachment 14.

The prices shall be GTE's retail rates applicable on the Effective Date, less the applicable discount. If GTE reduces or increases its retail rates after Sprint executes this Agreement, the applicable discount shall be applied to the reduced or increased retail rates. To the extent GTE offers package or volume discounts, Sprint may purchase the service at the lower of the wholesale price (full retail rate minus the wholesale discount) or the package/volume discount price.

#### **1.1 Non-recurring Charges for OUTPLOC**

GTE will charge five dollars (\$5) per "switch as requested" to switch a customer from GTE to Sprint service until electronic interfaces are fully operational, at which time GTE will charge the same rate as it charges for PIC changes.

#### **2. Unbundled Network Elements**

The prices charged to Sprint for Network Elements shall be as further specified in Appendix 2 to this Attachment 14. These rates will be interim rates, subject to adjustment when the Commission is able to conduct a thorough examination of the costing issues in a proceeding conducted with the benefit of full discovery.

#### **3. Collocation**

On an interim basis, the collocation prices under this Agreement shall be the prices set forth in GTE's expanded interstate tariff, the current rates for which are shown on Appendix 3. Such interim rates shall be replaced by rates established by the Commission based on TELRIC and shall be specified in an amendment to this Agreement replacing Appendix 3 to this Attachment 14.

If GTE's expanded interstate tariff does not set forth a pertinent price, the applicable price will be the price set forth in Appendix 3A, provided the pricing in Appendix 3A does not duplicate charges already covered in a different category of tariffed rates.

Sprint will pay the charges for Collocation upon receipt of an itemized invoice from GTE. GTE will provide Sprint with an itemized invoice of all charges on a per LSO basis.

Extraordinary costs may be incurred by GTE on behalf of an Sprint request only with the prior written approval of Sprint. If GTE determines that an Sprint request will necessitate incurring extraordinary costs, GTE shall advise Sprint of such fact, within thirty (30) days of GTE's receipt of Sprint's request. GTE shall proceed with the discharge of its performance obligations under such request only if Sprint agrees that such extraordinary costs as GTE estimates may be incurred. As used herein, "extraordinary costs" do not include costs associated with the maintenance and upkeep of the GTE building in which collocation is to take place.

**4. Interconnection Services**

GTE will make interconnection arrangements available at all tandem switching and end office switching locations. At the discretion of Sprint, local interconnection may be accomplished via one-way local trunks, or two way local trunks, or Sprint may choose to deliver both local and toll traffic over the same trunk group(s). With respect to the latter scenario, Sprint will have to provide an available Percent Local Usage (PLU) to facilitate billing if it desires application of the local interconnection rate.

Interconnection is comprised of transport and termination. Pricing for all elements of interconnection shall be based on forward looking economic cost. The parties agree that compensation for transport and termination shall be handled using the bill and keep method until further order of the Commission. Upon such order, prices and terms for Interconnection Services shall be specified in an amendment to this Agreement replacing Appendix 4 to this Attachment 14.

**5. Other**

Prices and terms for local number portability, trunking interconnection, E911/911 and pole attachments, conduit and rights-of-way services are specified in Appendix 5, Appendix 6, Appendix 7 and Appendix 8 to this Attachment 14, respectively.

**6. Pricing Renegotiation**

Thirty-six months after the effective date of this Agreement, the pricing set forth in this Attachment 14 may be renegotiated at the request of either party. Such request shall be made in writing and negotiations shall commence within ten (10) business days after such notice is received by the non-requesting party. The parties shall thereafter negotiate in good faith for sixty calendar days. If the parties have not reached an agreement regarding pricing by the end of such sixty day period, either party may request resolution of the pricing renegotiation by arbitration pursuant to Attachment 1 of this Agreement. Any new agreement on pricing shall take effect on the earlier of (i) the date an agreement on pricing is reached between the parties or (ii), in the event of an arbitrated resolution, the date established by the arbitrator, but in no event earlier than the thirty-seventh month after the effective date of this Agreement. The parties agree that the pricing principles set forth in the Act shall apply to any pricing renegotiation under this Agreement.



7. Numerous provisions in this Agreement and its Attachments refer to prices or pricing principles set forth in Attachment 14. If a provision references prices in Attachment 14 and there are no corresponding prices already set forth in Attachment 14 for such item, such price shall be considered "To Be Determined" ("TBD"). With respect to all TBD prices, prior to Sprint ordering any such TBD item, the Parties shall meet and confer to establish a price. If the Parties are unable to reach agreement on a price for such item, an interim price shall be set for such item that is equal to the price for the nearest analogous item for which a price has been established (for example, if there is not an established price for a non-recurring charge ("NRC") for a specific Network Element, the Parties would use the NRC for the most analogous retail service for which there is an established price); provided, however, that if the Parties are unable to agree on what is the nearest analogous item for purposes of setting an interim price or if there is no such analogous item, they will submit the dispute to arbitration for purposes of establishing an interim price in accordance with the procedures set forth in Attachment 1. Any interim prices so set shall be subject to modification by any subsequent decision of the Commission. If an interim price is different from the rate subsequently established by the Commission, any underpayment shall be paid by Sprint to GTE, or any overpayment refunded by GTE to Sprint, within forty-five (45) days after the establishment of the price by the Commission.

### **Appendix 1 - Local Service Resale**

Beginning with the Effective Date of this Agreement, Resale Services will be priced in accordance with the standards and prices described below.

1. The wholesale rates for Local Service Resale will be calculated based upon the discounts described in Annex 1. Such discounts will be applied against the Retail Rates for each GTE Retail Offering.
  - 1.1 "Retail Rates" are the effective rates a GTE retail customer would have paid GTE under the Retail Offering selected by Sprint, taking into consideration all applicable discounts, including, but not limited to, volume, term and time of day.
  - 1.2 A "Retail Offering" is an individual tariff retail rate element, or package of retail rate elements, which GTE offers to its retail customers, including, but not limited, to Grandfathered Services.
2. A "customer transfer" charge which, with the OUTPLOC charge, shall equal the incremental cost of transferring a customer shall apply for the conversion of existing Customers of GTE services, received either directly from GTE or through another reseller, to Sprint local service.

**Appendix 1 - Annex 1 - Schedule of Wholesale Discounts**

Washington

|   |                                   |
|---|-----------------------------------|
| Basic Local Service (Residence & Business)                          | 18.8%                             |
| Line Charge   | 18.8%                             |
| Usage Charge  | 18.8%                             |
| Features  | 18.8%                             |
| Listing Charges   | 18.8%                             |
| Non-recurring Charges   | 18.8%                             |
| Toll Service  | 18.8%                             |
| Operator Services   | 18.8%                             |
| Directory Assistance  | 18.8%                             |
| Business Trunk and Service Arrangements                             | 18.8%                             |
| ISDN Services   | 18.8%                             |
| CENTRANET Services  | 18.8%                             |
| Private Line Services   | 18.8%                             |
| Inbound/Outbound Services   | 18.8%                             |
| Promotional Offerings (90 days or more)                             | 18.8%                             |
| Promotional Offerings (less than 90 days)                           | Not subject to wholesale discount |
| Services for disabled persons (including free directory assistance) | Not subject to wholesale discount |
| All Other Services not specifically identified above                | 18.8%%                            |

## **Appendix 1 - Annex 2 - Summary of Wholesale Charges**

This Annex refers to tariffed charges only

### Local Services-Residence and Business.

Line Charges: These services should include but not be limited to the exchange line charges, by rate area within the jurisdiction. The price structure should encompass flat rates, measured rate service, one and/or two-party lines and any other subcategory that pertains to that jurisdiction. Line prices that reflect usage for such services as call-packs, extended area service, community calling would be included in this category.

Usage Charges: Includes all usage not captured in the line charge, such as messages or minutes in excess of any limited calling-plan.

Features: Custom calling features and advanced custom calling features as designed to be compatible with single and multi-line residence and business customer exchange lines. Custom calling features would include month and pay per attempt charges. Associated feature discounts for quantity or other marketing bundles would also be included. (Central office features that support CENTRANET and private line services would be included with each specific service category.).

Listings: All forms of directory listings for both local and toll services. Prices for customer listing options such as bold type, dual name, business name and custom advertising for the white and yellow pages are included.

Non-recurring charges: Charges associated with the installation, addition, changing or moving of service and equipment for local service.

Toll Services: Charges for any service that has been ordered by the Commission to be open to intraLATA presubscription whether charged on a per minute of use or other basis. This includes the non-recurring and listing charges associated with installation or record affecting work for toll service or toll usage plans and for listings, advertising and associated services in the 800 service directory.

Operator Services: Charges associated with, but not limited to, obtaining operator assistance for call placement, busy-line verification and interruption, time and weather and, if priced as such, DA call completion.

Directory Assistance Services: Charges associated with the use of directory assistance operators in obtaining local telephone numbers.

Business Trunks and Service Arrangements: Charges associated with PBX trunk arrangements for single and multi-line customers. Included are line and usage charges, features and service arrangements for direct inward (and/or outward) dialing.

ISDN Services: Charges associated with Integrated Services Digital Network Service for residence and business customers for the transmission of voice, data and packet switched signals.

CENTRANET Services: Charges associated with the provision and use of central office based private branch exchange services using equipment located on the premises owned or leased or controlled by GTE and connected by local loops to the premises of the customer or an authorized user.

Private Line Services: Charges associated with the provision and use of dedicated facilities between two or more customer locations.

Inbound/Outbound Services: Charges associated with the provision and use of WATS 800 (inbound) and Wide Area Telephone service (outbound) and other like services.

End User Access Services: Charges associated with the provision and use of common and dedicated facilities to provide access service to end user customers.

## **Appendix 2 - Prices for Unbundled Network Elements**

Beginning with the Effective Date of this Agreement, Network Elements and Combinations will be priced in accordance with the standards and prices described in this Appendix 2.

The prices listed in this Appendix 2 are interim prices, subject to further order of the Commission. However, the prices listed in this Appendix 2 will remain in effect for three years (Initial Contract Period) unless amended pursuant to pricing orders applicable to Network Elements and Combinations provided by GTE to Sprint in the State. At the end of the initial contract period, the agreement will automatically renew for an additional two year term, unless one party gives 90 days written notice of a wish to terminate. Upon the giving of such written notice by a Party, the Parties agree to renegotiate any or all of the prices, subject to the then applicable pricing standards established by the FCC and/or the Commission. If the Parties are unable to agree upon revised prices within sixty (60) days of the request to terminate, a Party may invoke the Dispute resolution procedures of Attachment 1. Until such time as the revised prices are agreed to, or established by the decision of the Arbitrator in the dispute resolution procedure, the prices described in this Appendix 2 will continue to remain in effect.

**Appendix 2 - Annex 1**

**WASHINGTON**

| <b>Network Element</b>                                      | <b>Price<sup>1</sup><br/>(Unbundled Network Elements)</b> |
|---|---|
| Network Interface Device                                    | \$0.62 per line per month                                 |
| Loop Distribution   | \$8.11 per line per month                                 |
| Loop Concentrator/Multiplexer                               | \$2.37 per line per month                                 |
| Loop Feeder   | \$2.71 per line per month                                 |
| Aggregated Loop   | \$13.82 per line per month                                |
| Local Switching (LEC switch):<br>Port <sup>2</sup><br>Usage | \$1.29 per line per month<br>\$0.0030 per minute          |
| Dedicated Transport   | \$3.87 per DSO per month                                  |
| Common Transport  | \$0.00064 per minute per leg                              |
| Tandem Switching  | \$0.0064 per minute                                       |

<sup>1</sup> Recurring charges derived from results of the Hatfield Model. Non-Recurring charges derived from GTE cost study.

<sup>2</sup> All switch features including Custom and CLASS.

|   |   |
|---|---|
| Signaling Links                                   | \$27.38 per link per month                |
| Signal Transfer Points                            | \$.00021 per message                      |
| Service Control Points/Databases                  | \$0.00111 per message                     |
| Operational Interfaces:<br>Gateway<br>Utilization | Each Party pays own cost<br>TSLRIC/TELRIC |

**Non-Recurring Charges**

|                                       |                    |
|---------------------------------------|--------------------|
| (1) Service ordering (loop or port):  |                    |
| Initial Service Order                 | \$47.25 per order  |
| Transfer of Service Charge            | \$16.00 per order  |
| Subsequent Service Order              | \$24.00 per order  |
| Customer Service Record<br>Research   | \$5.25 per request |
| (2) Installation:                     |                    |
| Unbundled Loop                        | \$11.25 per loop   |
| Unbundled Port                        | \$11.25 per port   |
| (3) Loop Facility Charge <sup>3</sup> | \$66.00 per order  |

<sup>3</sup> The Loop Facility Charge will apply when field work is required for establishment of a new unbundled loop service.



Appendix 3 - Prices for Collocation

|                  |          |         |
|------------------|----------|---------|
| ENG FEE          | \$4,998  |         |
| OFFICE ARR/CAGES | \$5,103  |         |
| BLD MOD COMP     | \$28,840 | N.A.    |
| BLD MOD MODR     | \$22,620 | N.A.    |
| BLD MOD SIMP     | \$16,460 | N.A.    |
| CABLE PULL       | \$1,454  | \$29.53 |
| DC POWER         | \$4,375  | \$413   |
| PARTITION SPACE  |          | \$2.63  |
| CABLE SPACE      |          | N.A.    |
| DS0 CROSS CON    |          | N.A.    |
| DS1 CROSS CON    |          | N.A.    |
| DS3 CROSS CON    |          | N.A.    |
| INTERCN CABLE    |          | N.A.    |

|                                   |         |      |
|-----------------------------------|---------|------|
| ENGINEERING<br>INSTALLATION FEES: |         |      |
| 90 MBPS                           | \$4,079 |      |
| OC3 per base module               | \$4,752 |      |
| OC12 per base module              | \$5,425 |      |
| OC48 per base module              | \$7,009 |      |
| DS3 CARD per card                 | \$533   |      |
| DS1 CARD per card                 | \$259   |      |
| POWER EQUIP                       | N.A.    | N.A. |
| MAINTENANCE                       |         | N.A. |
| DS0 CROSS CON                     |         | N.A. |
| DS1 CROSS CON                     |         | N.A. |
| DS3 CROSS CON                     |         | N.A. |

N.A. means "not available," because GTE's tariff does not break down the referenced items in the form or by the designation shown in the chart.

Note: Reference GTE's F.C.C. Tariff, GTOC #1, Section 17, for additional rate elements.

Source: GTOC #1 - WA

Appendix 3A - Alternate Prices for Collocation

|                  |         |          |
|------------------|---------|----------|
| ENG FEE          | \$3,500 |          |
| OFFICE ARR/CAGES | \$8,334 |          |
| BLD MOD COMP     | \$8,480 | \$319.93 |
| BLD MOD MODR     | \$6,628 | \$250.06 |
| BLD MOD SIMP     | \$4,555 | \$181.07 |
| CABLE PULL       | \$1,474 |          |
| DC POWER         |         | \$7.85   |
| PARTITION SPACE  |         | \$2.46   |
| CABLE SPACE      |         | \$54.32  |
| DS0 CROSS CON    |         | \$0.98   |
| DS1 CROSS CON    |         | \$3.68   |
| DS3 CROSS CON    |         | \$31.93  |
| INTERCN CABLE    |         | \$0.30   |

|               |         |          |
|---------------|---------|----------|
| 90 MBPS       | \$4,079 |          |
| OC3           | \$4,752 |          |
| OC12          | \$5,425 |          |
| OC48          | \$7,009 |          |
| DS3 CARD      | \$533   |          |
| DS1 CARD      | \$259   |          |
| POWER EQUIP   | \$2,078 | \$184.99 |
| MAINTENANCE   |         | \$211.96 |
| DS0 CROSS CON |         | \$0.98   |
| DS1 CROSS CON |         | \$3.68   |
| DS3 CROSS CON |         | \$31.93  |

**Appendix 4 - Reciprocal Compensation**

**[Reserved]**

### **Appendix 5 - Prices for Local Number Portability**

GTE and Sprint will provide interim number portability to the other at such Party's tariffed rate, which the parties acknowledge will be equivalent to such Party's TSLRIC.

## **Appendix 6 - Prices for Trunking Interconnection**

The prices listed in this Appendix are not subject to change for the first three (3) Contract Years of this Agreement ("Initial Contract Period"). Upon expiration of the Initial Contract Period, upon written notice by a Party, the Parties agree to renegotiate any or all of the prices, subject to the then applicable pricing standards established by the FCC and/or the state regulatory commission. A Party may deliver only one request to renegotiate during a Contract Year. If the Parties are unable to agree upon revised prices within sixty (60) days of the request to renegotiate, a Party may invoke the Dispute resolution procedures of Attachment 1. Until such time as the revised prices are agreed to, or established by the decision of the Arbitrator in the dispute resolution procedure, the prices described in this Appendix will continue to remain in effect.

### Dedicated Transport Rates

GTE Dedicated Transport rate as set forth in Appendix 2, Annex 1

### **Appendix 7 - Prices for E911/911 Services**

The prices listed in this Appendix are not subject to change for the first three (3) Contract Years of this Agreement ("Initial Contract Period"). Upon expiration of the Initial Contract Period, upon written notice by a Party, the Parties agree to renegotiate any or all of the prices, subject to the then applicable pricing standards established by the FCC and/or the state regulatory commission. A Party may deliver only one request to renegotiate during a Contract Year. If the Parties are unable to agree upon revised prices within sixty (60) days of the request to renegotiate, a Party may invoke the Dispute resolution procedures in Attachment 1. Until such time as the revised prices are agreed to, or established by the decision of the Arbitrator in the dispute resolution procedure, the prices described in this Appendix will continue to remain in effect.

[To be provided following review of GTE cost data]

### **Appendix 8 - Rights-of-Way, Conduits, Ducts, and Pole Attachments**

The prices which Sprint shall pay GTE for access to GTE's Rights of Way, Conduits and Pole Attachments shall be as reflected in the applicable state tariff or, if no such state tariff exists, the applicable federal tariff. If such prices are not reflected in the state or federal tariff, Sprint will be charged a cost-based, nondiscriminatory rate, on the same terms and conditions as GTE applies to itself and subject to the requirements of this Agreement. Sprint shall pay GTE for the cost of all "make ready" work necessary to prepare a right of way, duct, conduit or attachment for Sprint's use, including rental fees and administrative expenses associated therewith. GTE and Sprint shall agree on a verifiable mechanism or process to ensure that Sprint is properly charged for such work and that, where necessary, costs are allocated and prorated in a nondiscriminatory and competitively neutral manner in accordance with methodology approved by the FCC or the Commission.

Sprint will communicate its needs to GTE and GTE will communicate what it has available to meet those needs. If GTE's records are in error, it shall bear the cost of the error; if Sprint errs in communicating its needs or evaluating the suitability of GTE's resources, Sprint shall bear the cost of the error. If neither party is responsible for the error because of some external event (like conduit blockage), both shall bear half the cost of the error.

When Sprint places a request with GTE for work to be performed for Sprint in connection with Rights of Way, Conduit and Pole Attachments, GTE shall submit to Sprint a detailed estimate for such work as soon as practicable after the receipt of the request. GTE shall not commence work on the request until it receives prior authorization from Sprint. All invoices submitted by GTE shall include a detailed itemization of all work covered thereunder.

**ATTACHMENT 15**

**RECIPROCAL COMPENSATION FOR CALL TERMINATION AGREEMENT**

1. This Attachment describes the reciprocal compensation arrangements between Sprint and GTE for Local Traffic, Toll, and Switched Access Services. The Parties shall compensate each other for transport and termination of such traffic at the rates provided in Attachment 14 (Pricing) and/or the appropriate Parties' Switched Access Tariff.
2. Compensation for Call Termination
  - A. Reciprocal compensation does not apply in a resale environment.
  - B. The following compensation terms, as specified in Unbundled Network Element pricing listed in Attachment 14, shall apply in all cases where Sprint purchases GTE's unbundled Local Switching:
    1. For Local intra-switch calls between lines connected to GTE's switch where Sprint has purchased GTE's unbundled Local Switching, the Parties agree to impose no call termination charges on each other. GTE's Local Switching charge will apply as described below where the call is :
      - (a) Originated by Sprint's customer and completed to a GTE customer:
        - (1) (For use of the local switch:) Local Switching charge at the originating office will apply to Sprint.
      - (b) Originated by Sprint's customer and completed to the customer of a third party LEC (not affiliated with Sprint) using GTE's unbundled Local Switching:
        - (1) (For use of the local switch:) Local Switching charge at the originating office will apply to Sprint.
      - (c) Originated by Sprint's customer and completed to another of Sprint's customers using GTE's unbundled Local Switching.
        - (1) (For use of the local switch:) Local Switching charge at the originating office will apply to Sprint.
      - (d) Originated by a GTE customer and terminated to Sprint's customer using GTE's unbundled Local Switching.



- (1) No Local Switching charge will apply to Sprint.
- (e) Originated by the customer of a third party LEC (not affiliated with Sprint) using GTE's Unbundled Local Switching and terminated to Sprint's customers using GTE's unbundled Local Switching.
  - (1) No Local Switching charge will apply to Sprint.
- 2. For Local inter-switch calls where Sprint has purchased GTE's unbundled Local Switching, the Parties agree to call termination charges as applicable and as described in Attachment 14, Appendix 4, Section 2.

GTE's charges will apply to Sprint as described below where the call is:

- (a) Originated from Sprint's end-user customer using GTE's unbundled Local Switching and completed to a GTE customer.
  - (1) (For use of the local switch:) Local Switching charge at the originating office will apply to Sprint.
  - (2) A mileage-based transport charge will apply when Sprint uses GTE's transport.
  - (3) (For call termination) Charges for local interconnection/call termination, when applicable, as set forth in Attachment 14, Appendix 4.
- (b) Originated from Sprint's customer using GTE's unbundled Local Switching and completed to a third party LEC (not affiliated with Sprint) customer using GTE's unbundled Local Switching.
  - (1) (For use of the local switch:) Local Switching charge at the originating office will apply to Sprint.
  - (2) A mileage-based transport charge will apply when Sprint uses GTE's transport.
- (c) Originated from Sprint's customer using GTE's unbundled Local Switching and completed to the interconnected network of a third party LEC (not affiliated with Sprint).

- (1) (For use of the local switch:) Local Switching charge at the originating office will apply to Sprint.
  - (2) A mileage-based transport charge will apply when Sprint uses GTE's transport, and mileage shall be measured between the originating office and the POI of the third party's network.
- (d) Originated from Sprint's customer using GTE's unbundled Local Switching and completed to Sprint's customer using GTE's unbundled Local Switching.
- (1) (For use of the local switch:) Local Switching charge at the originating office will apply to Sprint.
  - (2) A mileage-based transport charge will apply when Sprint uses GTE's transport.
  - (3) (For use of the local switch:) Local Switching charge at the terminating office.
- (e) Originated by a GTE customer and terminated to Sprint's customer using GTE's unbundled Local Switching.
- (1) (For use of the local switch:) Local Switching Charge at the terminating office will apply to Sprint.
  - (2) (For call termination) Sprint shall charge GTE for local interconnection/call termination, when applicable, as set forth in Attachment 14, Appendix 4.
- (f) Originated by a customer of a third-party LEC (not affiliated with Sprint) using GTE's unbundled Local Switching and terminated to Sprint's customer using GTE's unbundled Local Switching.
- (1) (For use of the local switch:) Local Switching charge at the terminating office will apply to Sprint.
- (g) Originated by a customer on the interconnected network of a third-party LEC (not affiliated with Sprint) and terminated to Sprint's customer using GTE's unbundled Local Switching.
- (1) (For use of the local switch:) Local Switching charge at the terminating office will apply to Sprint.

3. For intraLATA toll calls where Sprint has purchased GTE's unbundled Local Switching, charges per Unbundled Network Element pricing listed in Attachment 14 shall apply as follows:

- (a) Originated by Sprint's customer and completed to a GTE customer.
  - (1) (For use of the local switch:) Local Switching charge plus RIC (Residual Interconnection Charge, also called the Transport Interconnection Charge or the Interconnection Charge) and CCLC (Common Carrier Line Charge) at the originating office will apply to Sprint, if such charges are required by the Commission.
  - (2) Shared transport charge between the two offices will apply when Sprint uses GTE's transport.
  - (3) (For call termination) End Office Switching charge at the terminating office (Switched Access Rate) will apply to Sprint.
  - (4) RIC at the terminating office, if such charge is required by the Commission.
- (b) Originated by Sprint's customer and completed to the customer of a third-party LEC (not affiliated with Sprint) using GTE's unbundled Local Switching in a distant end office.
  - (1) (For use of the local switch:) Local Switching charge plus RIC and CCLC at the originating office will apply to Sprint, if such charges are required by the Commission.
  - (2) Shared transport charge between the two offices will apply when Sprint uses GTE's transport.
- (c) Originated by Sprint's customer and completed to the network of third-party LEC (not affiliated with Sprint) interconnected with GTE's network.
  - (1) (For use of the local switch:) Local Switching charge, plus RIC and CCLC, at the originating office will apply to Sprint, if such charges are required by the Commission.

- (2) Common transport charge will apply when Sprint uses GTE's transport, and mileage shall be measured between the originating office and the POI of the third party's network.
  - (3) Tandem Switching, where applicable.
- (d) Originated by Sprint's customer and completed to another of Sprint's customers being served through GTE's unbundled Local Switching in a distant office.
- (1) (For use of the local switch:) Local Switching charge plus RIC and CCLC at the originating office will apply to Sprint, if such charges are required by the Commission.
  - (2) Shared transport charge between the two offices will apply when Sprint uses GTE's transport.
  - (3) (For use of the local switch:) Local Switching charge plus RIC and CCLC at the terminating office will apply to Sprint, if such charges are required by the Commission.
- (e) Originated by a GTE customer and terminated to Sprint's customer using GTE's unbundled Local Switching.
- (1) (For use of the local switch:) Local Switching charge plus RIC and CCLC at the terminating office, if such charges are required by the Commission.
  - (2) (For call termination:) Sprint will charge GTE Local Switching at the terminating office (Switched Access Rate).
  - (3) (For call termination:) Sprint will charge GTE RIC at the terminating office, if such charge is required by the Commission.
- (f) Originated by the customer of a third-party LEC (not affiliated with Sprint) using GTE's unbundled Local Switching in a distant end office and terminated to Sprint's customer using GTE's unbundled Local Switching.
- (1) (For use of the local switch:) Local Switching charge plus RIC and CCLC at the terminating office will apply to

Sprint, if such charges are required by the Commission.

- (g) Originated by a customer on the network of a third-party LEC (not affiliated with Sprint) interconnected with GTE's network and terminated to Sprint's customer using GTE's unbundled Local Switching.
  - (1) (For use of the local switch:) Local Switching charge plus RIC and CCLC at the terminating office will apply to Sprint, if such charges are required by the Commission.
- 4. For intrastate Switched Access calls where Sprint is using GTE's unbundled Local Switching for calls originated from or terminated to an IXC for completion:
  - (a) For calls originated from Sprint's customer to Sprint's own IXC switch (or that of an affiliate) for completion.
    - (1) (For use of the local switch:) Local Switching charge at the originating office.
    - (2) Originating RIC and CCLC, if such charges are required by the Commission.
    - (3) GTE will charge Sprint's IXC affiliate the following Switched Access elements on a meet-point basis:
      - a. Local Transport
      - b. Tandem Switching
  - (b) For calls originated from Sprint's customer to an IXC's switch not affiliated with Sprint.
    - (1) (For use of the local switch:) Local Switching charge at the originating office.
    - (2) Originating RIC and CCLC, if such charges are required by the Commission.
    - (3) GTE shall charge the non-affiliated IXC for the following originating Switched Access on a meet-point basis:
      - a. Local Transport



- (2) Originating RIC and CCLC, if such charges are required by the Commission.
  - (3) GTE shall charge Sprint's IXC affiliate for the following originating Switched Access on a meet-point basis:
    - a. Local Transport
    - b. Tandem Switching
- (b) For calls originated from Sprint's customer to an IXC's switch not affiliated with Sprint.
- (1) (For use of the local switch:) Local Switching charge at the originating office.
  - (2) Originating RIC and CCLC, if such charges are required by the Commission.
  - (3) GTE shall charge the IXC for the following originating Switched Access on a meet-point basis:
    - a. Local Transport
    - b. Tandem Switching
- (c) For calls terminating to Sprint's customer from Sprint's own IXC switch (or that of an affiliate) for completion.
- (1) (For use of the local switch:) Local Switching charge at the terminating office.
  - (2) Terminating RIC and CCLC, if such charges are required by the Commission.
  - (3) GTE will charge Sprint's IXC (affiliate) the following Switched Access elements on a meet-point basis:
    - a. Local Transport
    - b. Tandem Switching
- (d) For calls terminating to Sprint's customer from an IXC switch not affiliated with Sprint.

- (1) (For use of the local switch:) Local Switching charge at the terminating office.
- (2) Terminating RIC and CCLC, if such charges are required by the Commission.
- (3) GTE shall charge the non-affiliated IXC for the following terminating Switched Access on a meet-point basis:
  - a. Local Transport
  - b. Tandem Switching

C. The following terms apply where Sprint and GTE interconnect using their own networks.

1. For Local Traffic and intraLATA Toll traffic originated by Sprint (or CLECs subtending its network) to GTE, Sprint agrees to pay GTE the following:
  - (a) Local calls: Unless otherwise provided in Attachment 14, Bill and Keep shall apply to Local Traffic. In the event traffic (as defined from the point of interconnection) is out of balance, the rate specified in Attachment 14 shall apply.
  - (b) Toll calls: The following GTE Intrastate Switched Access rate elements are applicable to intraLATA toll calls, if such charges are required by the Commission.
    - (1) For common switched transport where GTE's tandem is used:
      - (a) Fixed - per minute of use.
      - (b) Variable - per mile per minute of use. Mileage shall be calculated based on the airline miles between the Vertical and Horizontal ("V&H") coordinates of the POI, and the GTE end office or Competitive Local Carrier routing point.
      - (c) Tandem Switching.
    - (2) End Office switching.



- (3) Information Surcharge
  - (4) RIC
  - (5) CCLC
2. For Local Traffic and intraLATA Toll traffic originated from GTE to Sprint, GTE agrees to pay Sprint the following:
- (a) Local calls: Unless otherwise provided in Attachment 14, Bill and Keep shall apply to Local Traffic. In the event traffic (as defined from the point of interconnection) is out of balance, the rate specified in Attachment 14, Appendix 4, Annex 1 shall apply.
  - (b) Toll calls: The following Sprint Intrastate Switched Access rate elements are applicable to intraLATA toll calls, if such charges are required by the Commission.
    - (1) For common switched transport where Sprint's tandem is used:
      - (a) Fixed - per minute of use.
      - (b) Variable - per mile per minute of use. Mileage shall be calculated based on the airline miles between the Vertical and Horizontal ("V&H") coordinates of the POI, and the Sprint end office or Competitive Local Carrier/Sprint routing point.
      - (c) Tandem Switching.
    - (2) End Office switching.
    - (3) Information Surcharge
    - (4) RIC
    - (5) CCLC