

VICINITY MAP
NOT TO SCALE

CITY OF GRANDVIEW

YAKIMA COUNTY

WASHINGTON


OLD INLAND EMPIRE HIGHWAY IMPROVEMENTS

FEDERAL AID NO. STPUS 8052-(003)
HLA PROJECT NO. 13134

MARCH 2023

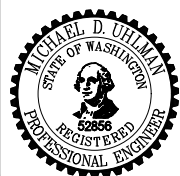
SHEET INDEX

SHEET 1	COVER SHEET
SHEET 2	LEGEND AND GENERAL NOTES
SHEETS 3-5	TYPICAL ROADWAY SECTIONS
SHEETS 6-7	TEMPORARY EROSION AND SEDIMENT CONTROL PLAN
SHEETS 8-14	DEMOLITION PLAN
SHEETS 15-26	PLAN AND PROFILE SHEETS
SHEETS 27-28	SIGNING, STRIPING, AND MAILBOX PLAN
SHEET 29	CLASS "A" SIGNING PLAN
SHEETS 30-32	TRAFFIC CONTROL PLANS
SHEET 33	ILLUMINATION PLAN
SHEETS 34-35	DRAINAGE STRUCTURE NOTES AND DETAILS
SHEETS 36-37	PROJECT DETAILS

 **DATUM ELEVATION**
REBAR WITH RED CAP STAMPED 'HLA CONTROL'
LOCATED AT THE WEST SIDE OF THE INTERSECTION
OF 4TH STREET AND DIVISION STREET.



2803 River Road
Yakima, WA 98902
509.966.7000
Fax 509.965.3800
www.hlacivil.com

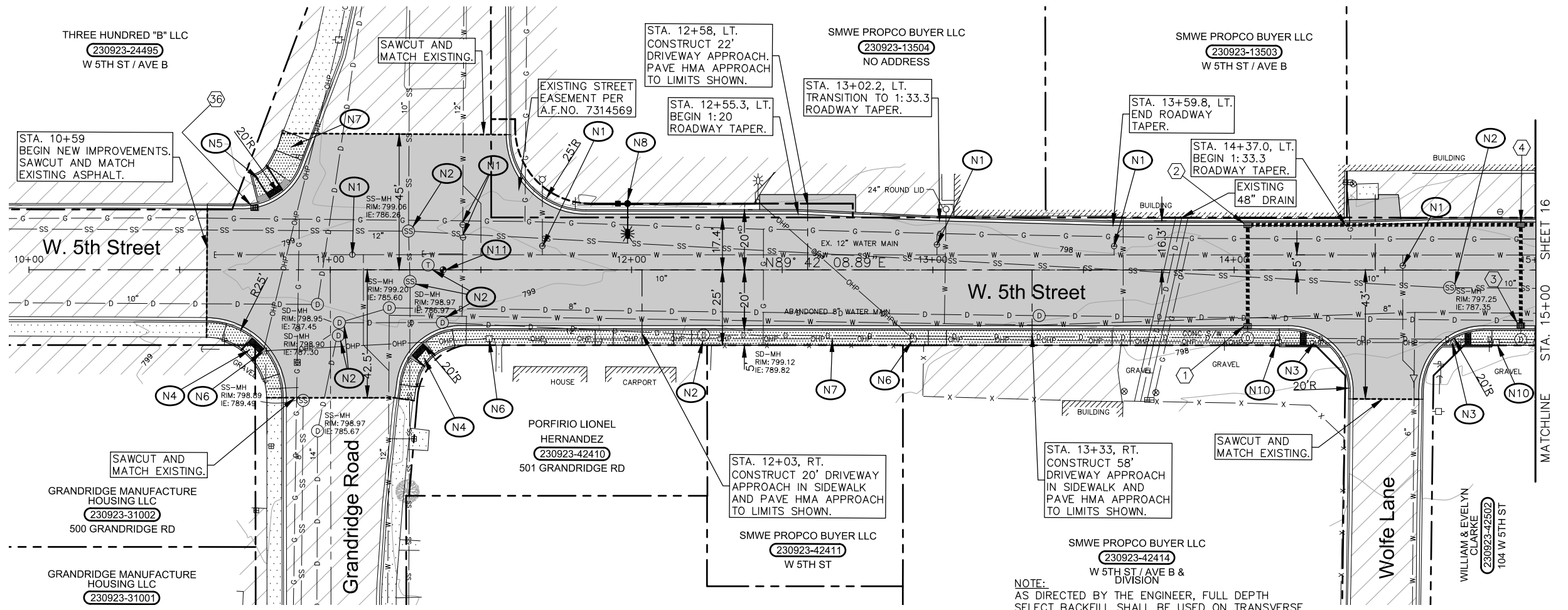
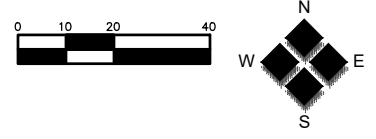


FEDERAL AID NO. STPUS 8052-(003)		JOB NUMBER: 13134	DATE: 03-22-23
		FILE NAMES: DRAWING: Sheets-ROAD PLAN: 13134	
		DESIGNED BY: MDU	
		ENTERED BY: MEM/OCK	
REVISION		DATE	

CITY OF GRANDVIEW
OLD INLAND EMPIRE
HIGHWAY IMPROVEMENTS

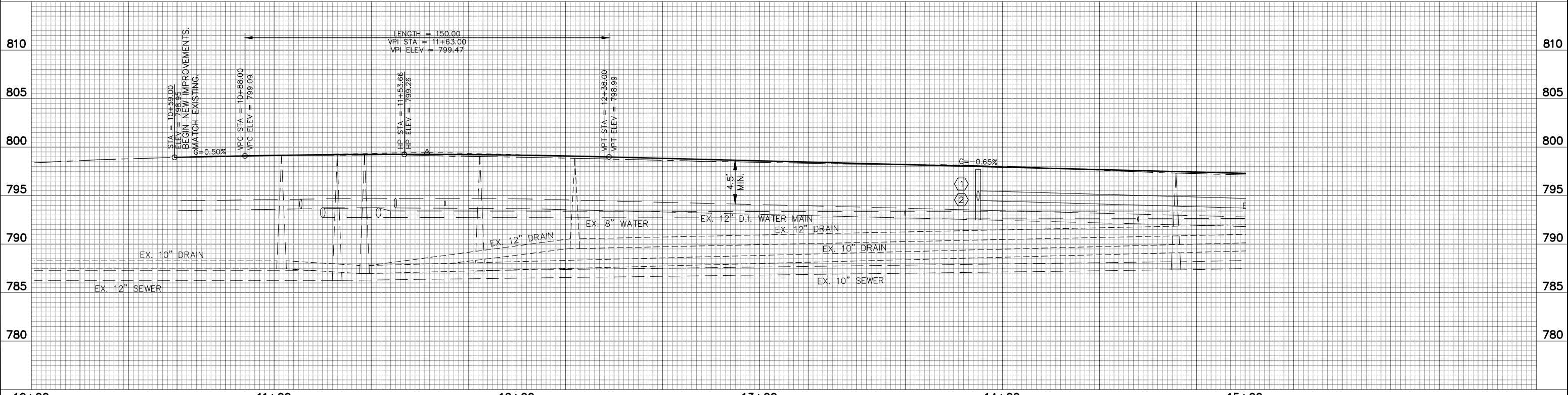
COVER SHEET

SHEET
1
OF
37

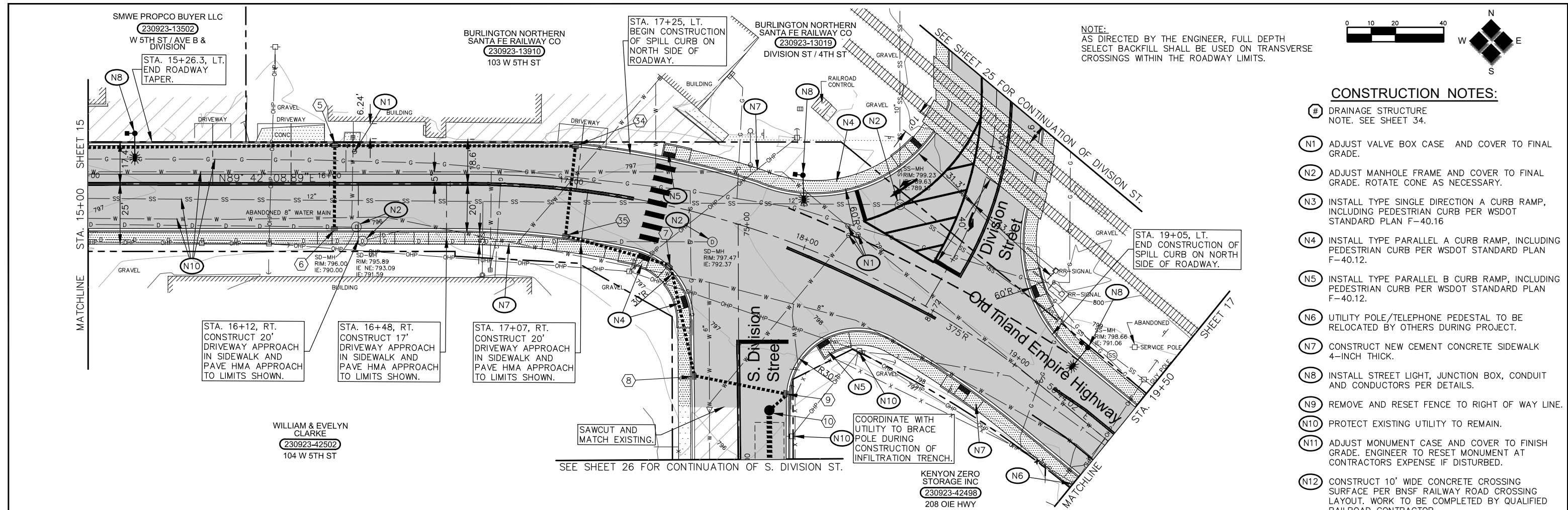


- CONSTRUCTION NOTES:**
- # DRAINAGE STRUCTURE NOTE. SEE SHEET 34.
 - N1 ADJUST VALVE BOX CASE AND COVER TO FINAL GRADE.
 - N2 ADJUST MANHOLE FRAME AND COVER TO FINAL GRADE. ROTATE CONE AS NECESSARY.
 - N3 INSTALL TYPE SINGLE DIRECTION A CURB RAMP, INCLUDING PEDESTRIAN CURB PER WSDOT STANDARD PLAN F-40.16
 - N4 INSTALL TYPE PARALLEL A CURB RAMP, INCLUDING PEDESTRIAN CURB PER WSDOT STANDARD PLAN F-40.12.
 - N5 INSTALL TYPE PARALLEL B CURB RAMP, INCLUDING PEDESTRIAN CURB PER WSDOT STANDARD PLAN F-40.12.
 - N6 UTILITY POLE/TELEPHONE PEDESTAL TO BE RELOCATED BY OTHERS DURING PROJECT.
 - N7 CONSTRUCT NEW CEMENT CONCRETE SIDEWALK 4-INCH THICK.
 - N8 INSTALL STREET LIGHT, JUNCTION BOX, CONDUIT AND CONDUCTORS PER DETAILS.
 - N9 REMOVE AND RESET FENCE TO RIGHT OF WAY LINE.
 - N10 PROTECT EXISTING UTILITY TO REMAIN.
 - N11 ADJUST MONUMENT CASE AND COVER TO FINISH GRADE. ENGINEER TO RESET MONUMENT AT CONTRACTORS EXPENSE IF DISTURBED.
 - N12 CONSTRUCT CONCRETE CROSSING SURFACE PER BNSF STANDARDS.

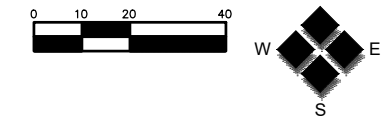
NOTE:
AS DIRECTED BY THE ENGINEER, FULL DEPTH SELECT BACKFILL SHALL BE USED ON TRANSVERSE CROSSINGS WITHIN THE ROADWAY LIMITS.



	2803 River Road Yakima, WA 98902 509.966.7000 Fax 509.965.3800 www.hlacivil.com			FEDERAL AID NO. STPUS 8052-(003)	JOB NUMBER: 13134	DATE: 03-22-23	CITY OF GRANDVIEW OLD INLAND EMPIRE HIGHWAY IMPROVEMENTS PLAN AND PROFILE, B.O.P. TO STA. 15+00	SHEET 15 OF 37
				REVISION DATE	FILE NAMES: DRAWING: Sheets-ROAD PLAN: 13134	DESIGNED BY: MDU ENTERED BY: MEM/OCK		

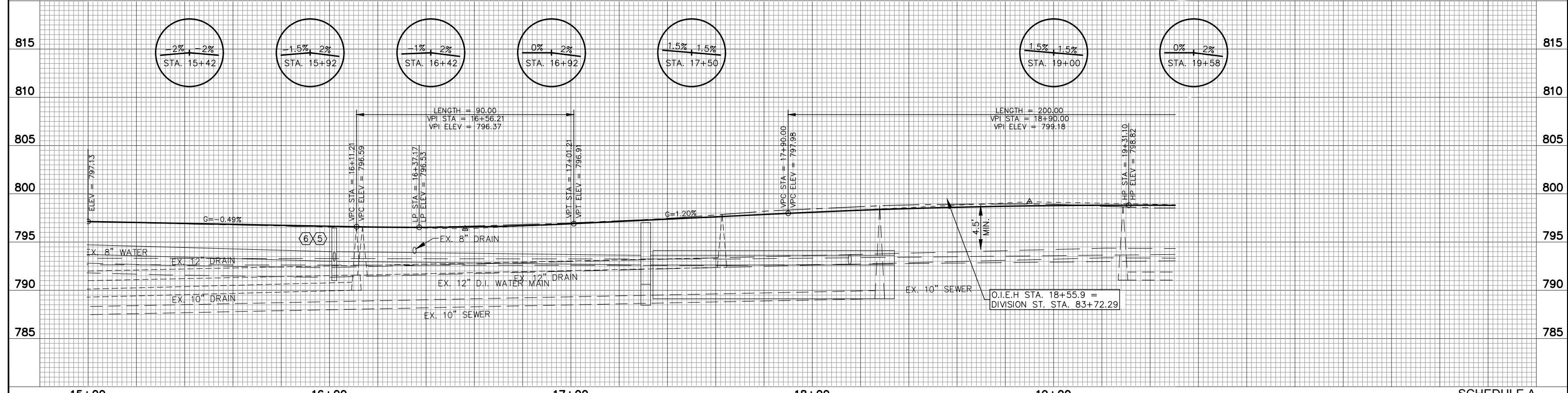


NOTE:
AS DIRECTED BY THE ENGINEER, FULL DEPTH
SELECT BACKFILL SHALL BE USED ON TRANSVERSE
CROSSINGS WITHIN THE ROADWAY LIMITS.

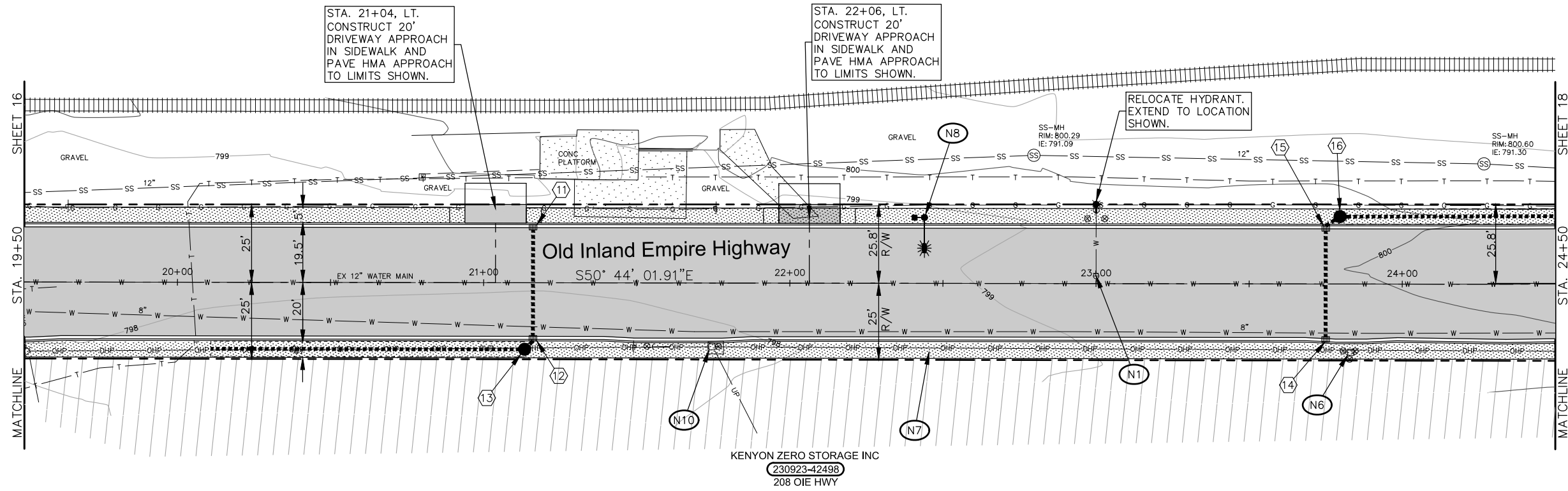


CONSTRUCTION NOTES:

- # DRAINAGE STRUCTURE
NOTE. SEE SHEET 34.
- N1 ADJUST VALVE BOX CASE AND COVER TO FINAL GRADE.
- N2 ADJUST MANHOLE FRAME AND COVER TO FINAL GRADE. ROTATE CONE AS NECESSARY.
- N3 INSTALL TYPE SINGLE DIRECTION A CURB RAMP, INCLUDING PEDESTRIAN CURB PER WSDOT STANDARD PLAN F-40.16
- N4 INSTALL TYPE PARALLEL A CURB RAMP, INCLUDING PEDESTRIAN CURB PER WSDOT STANDARD PLAN F-40.12.
- N5 INSTALL TYPE PARALLEL B CURB RAMP, INCLUDING PEDESTRIAN CURB PER WSDOT STANDARD PLAN F-40.12.
- N6 UTILITY POLE/TELEPHONE PEDESTAL TO BE RELOCATED BY OTHERS DURING PROJECT.
- N7 CONSTRUCT NEW CEMENT CONCRETE SIDEWALK 4-INCH THICK.
- N8 INSTALL STREET LIGHT, JUNCTION BOX, CONDUIT AND CONDUCTORS PER DETAILS.
- N9 REMOVE AND RESET FENCE TO RIGHT OF WAY LINE.
- N10 PROTECT EXISTING UTILITY TO REMAIN.
- N11 ADJUST MONUMENT CASE AND COVER TO FINISH GRADE. ENGINEER TO RESET MONUMENT AT CONTRACTORS EXPENSE IF DISTURBED.
- N12 CONSTRUCT 10' WIDE CONCRETE CROSSING SURFACE PER BNSF RAILWAY ROAD CROSSING LAYOUT. WORK TO BE COMPLETED BY QUALIFIED RAILROAD CONTRACTOR.



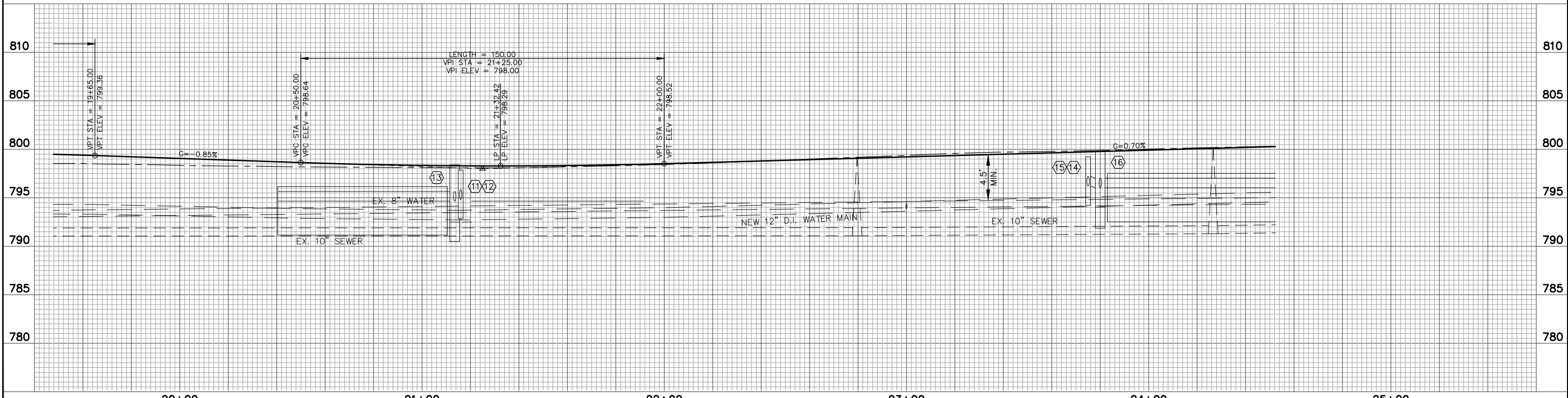
15+00	16+00	17+00	18+00	19+00	SCHEDULE A
				FEDERAL AID NO. STPUS 8052-(003) JOB NUMBER: 13134 DATE: 03-22-23 FILE NAMES: DRAWING: Sheets-ROAD PLAN: 13134 DESIGNED BY: MDU ENTERED BY: MEM/OCK	
2803 River Road Yakima, WA 98902 509.966.7000 Fax 509.965.3800 www.hlacivil.com				CITY OF GRANDVIEW OLD INLAND EMPIRE HIGHWAY IMPROVEMENTS PLAN AND PROFILE, STA. 15+00 TO 19+50	
				SHEET	16
				OF	37



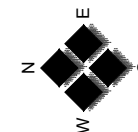
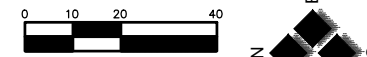
CONSTRUCTION NOTES:

- # DRAINAGE STRUCTURE
NOTE. SEE SHEET 34.
- N1 ADJUST VALVE BOX CASE AND COVER TO FINAL GRADE.
- N2 ADJUST MANHOLE FRAME AND COVER TO FINAL GRADE. ROTATE CONE AS NECESSARY.
- N3 INSTALL TYPE SINGLE DIRECTION A CURB RAMP, INCLUDING PEDESTRIAN CURB PER WSDOT STANDARD PLAN F-40.16
- N4 INSTALL TYPE PARALLEL A CURB RAMP, INCLUDING PEDESTRIAN CURB PER WSDOT STANDARD PLAN F-40.12.
- N5 INSTALL TYPE PARALLEL B CURB RAMP, INCLUDING PEDESTRIAN CURB PER WSDOT STANDARD PLAN F-40.12.
- N6 UTILITY POLE/TELEPHONE PEDESTAL TO BE RELOCATED BY OTHERS DURING PROJECT.
- N7 CONSTRUCT NEW CEMENT CONCRETE SIDEWALK 4-INCH THICK.
- N8 INSTALL STREET LIGHT, JUNCTION BOX, CONDUIT AND CONDUCTORS PER DETAILS.
- N9 REMOVE AND RESET FENCE TO RIGHT OF WAY LINE.
- N10 PROTECT EXISTING UTILITY TO REMAIN.
- N11 ADJUST MONUMENT CASE AND COVER TO FINISH GRADE. ENGINEER TO RESET MONUMENT AT CONTRACTORS EXPENSE IF DISTURBED.
- N12 CONSTRUCT CONCRETE CROSSING SURFACE PER BNSF STANDARDS.

NOTE:
AS DIRECTED BY THE ENGINEER, FULL DEPTH SELECT BACKFILL SHALL BE USED ON TRANSVERSE CROSSINGS WITHIN THE ROADWAY LIMITS.

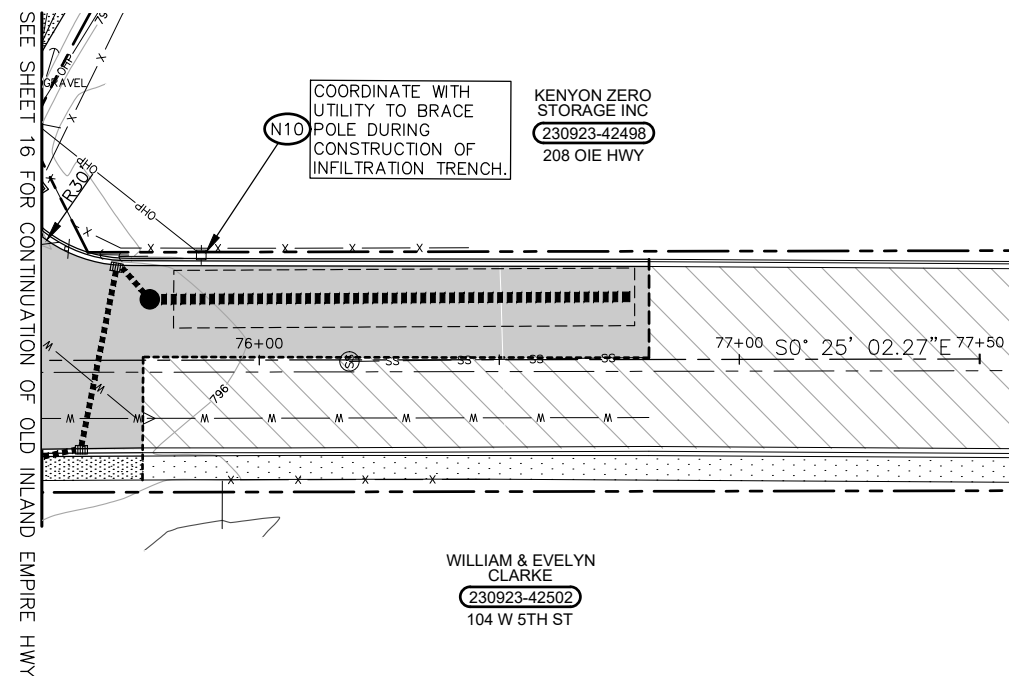


	2803 River Road Yakima, WA 98902 509.966.7000 Fax 509.965.3800 www.hlacivil.com			FEDERAL AID NO. STPUS 8052-(003)	JOB NUMBER: 13134	DATE: 03-22-23	CITY OF GRANDVIEW OLD INLAND EMPIRE HIGHWAY IMPROVEMENTS PLAN AND PROFILE, STA. 19+50 TO STA. 24+50	SHEET 17 OF 37
				REVISION DATE	FILE NAMES: DRAWING: Sheets-ROAD PLAN: 13134	DESIGNED BY: MDU ENTERED BY: MEM/OCK		

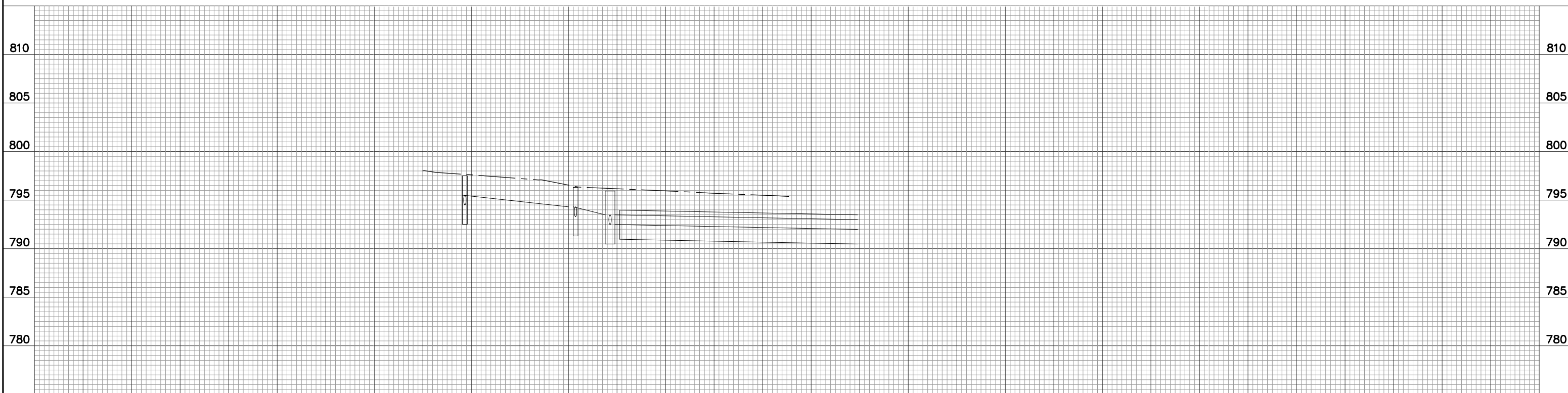


CONSTRUCTION NOTES:

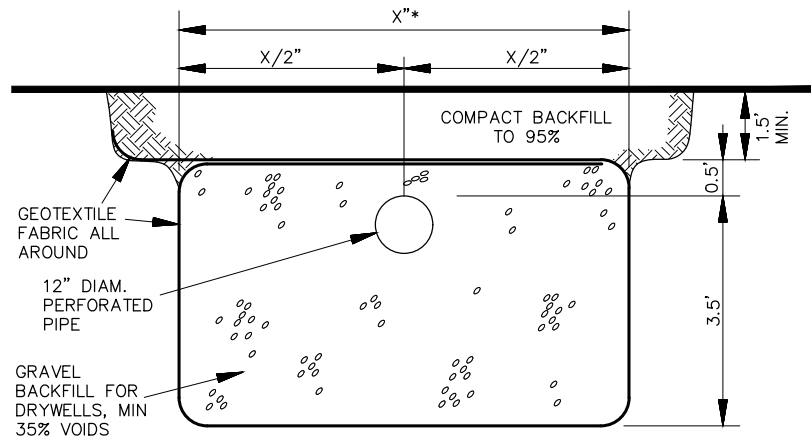
- # DRAINAGE STRUCTURE
NOTE. SEE SHEET 31.
- (N1) ADJUST VALVE BOX CASE AND COVER TO FINAL GRADE.
- (N2) ADJUST MANHOLE FRAME AND COVER TO FINAL GRADE. ROTATE CONE AS NECESSARY.
- (N3) INSTALL TYPE SINGLE DIRECTION A CURB RAMP, INCLUDING PEDESTRIAN CURB PER WSDOT STANDARD PLAN F-40.16
- (N4) INSTALL TYPE PARALLEL A CURB RAMP, INCLUDING PEDESTRIAN CURB PER WSDOT STANDARD PLAN F-40.12.
- (N5) INSTALL TYPE PARALLEL B CURB RAMP, INCLUDING PEDESTRIAN CURB PER WSDOT STANDARD PLAN F-40.12.
- (N6) UTILITY POLE/TELEPHONE PEDESTAL TO BE RELOCATED BY OTHERS DURING PROJECT.
- (N7) CONSTRUCT NEW CEMENT CONCRETE SIDEWALK 4-INCH THICK.
- (N8) INSTALL STREET LIGHT, JUNCTION BOX, CONDUIT AND CONDUCTORS PER DETAILS.
- (N9) REMOVE AND RESET FENCE TO RIGHT OF WAY LINE.
- (N10) PROTECT EXISTING UTILITY TO REMAIN.
- (N11) ADJUST MONUMENT CASE AND COVER TO FINISH GRADE. ENGINEER TO RESET MONUMENT AT CONTRACTORS EXPENSE IF DISTURBED.



NOTE:
AS DIRECTED BY THE ENGINEER, FULL DEPTH
SELECT BACKFILL SHALL BE USED ON TRANSVERSE
CROSSINGS WITHIN THE ROADWAY LIMITS.

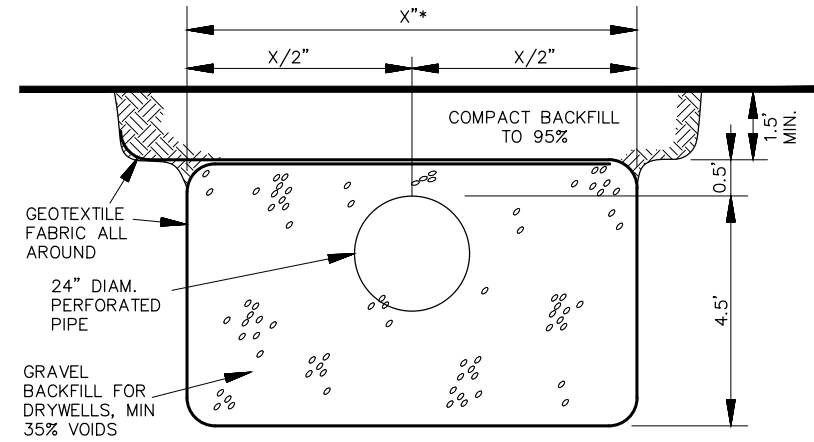


	2803 River Road Yakima, WA 98902 509.966.7000 Fax 509.965.3800 www.hlacivil.com			FEDERAL AID NO. STPUS 8052-(003)	JOB NUMBER: 13134	DATE: 03-22-23	CITY OF GRANDVIEW OLD INLAND EMPIRE HIGHWAY IMPROVEMENTS PLAN AND PROFILE, STA. B.O.P. TO E.O.P.	SHEET 26 OF 37
				REVISION	DATE	FILE NAMES: DRAWING: Sheets-ROAD PLAN: 13134		



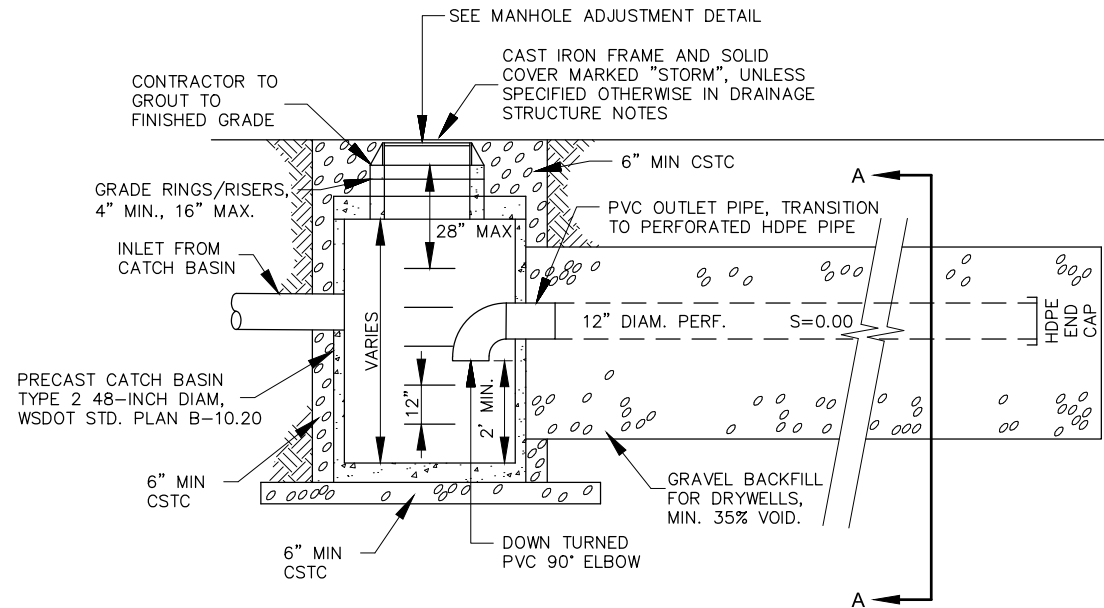
SECTION A-A

*SEE CONTRACT PLANS AND DRAINAGE STRUCTURE TABLE



SECTION A-A

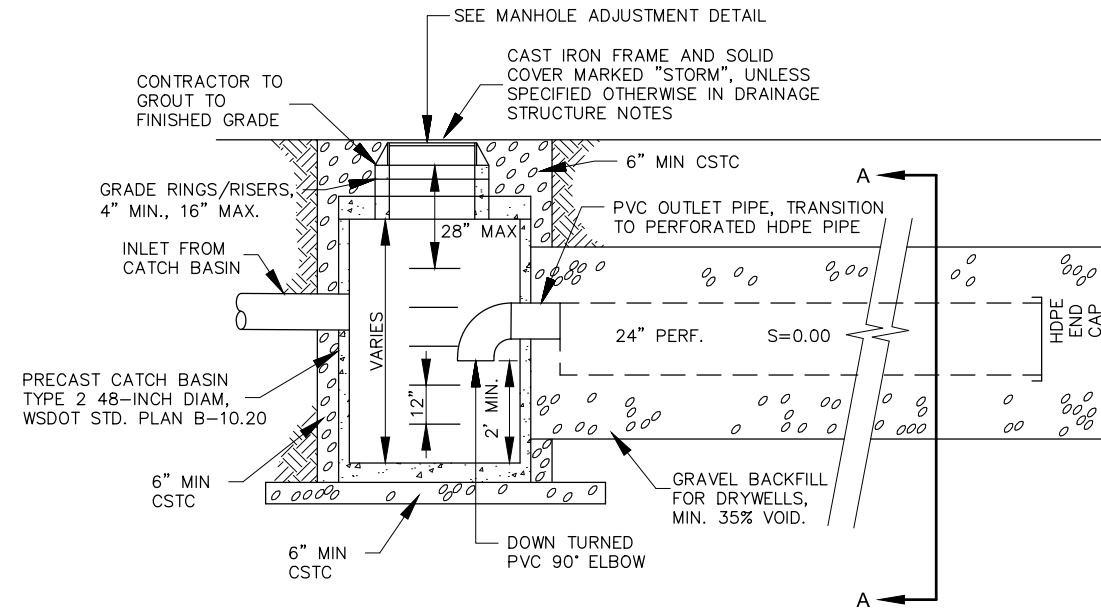
*SEE CONTRACT PLANS AND DRAINAGE STRUCTURE TABLE



PLAN

- NOTES:
 1. SEE DRAINAGE STRUCTURE NOTES FOR IE'S OF PIPES.
 2. SEE DRAINAGE STRUCTURE NOTES AND PLAN SHEETS FOR ORIENTATION AND TRENCH LENGTH.

1.1 INFILTRATION SYSTEM DETAIL
 NOT TO SCALE



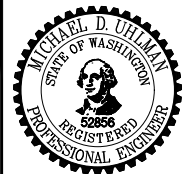
PLAN

- NOTES:
 1. SEE DRAINAGE STRUCTURE NOTES FOR IE'S OF PIPES.
 2. SEE DRAINAGE STRUCTURE NOTES AND PLAN SHEETS FOR ORIENTATION AND TRENCH LENGTH.

1.2 INFILTRATION SYSTEM DETAIL
 NOT TO SCALE



2803 River Road
 Yakima, WA 98902
 509.966.7000
 Fax 509.965.3800
 www.hlacivil.com



FEDERAL AID NO. STPUS 8052-(003)		JOB NUMBER: 13134	DATE: 03-22-23
		FILE NAMES: DRAWING: Sheets-ROAD	
		PLAN: 13134	
DESIGNED BY: MDU			
ENTERED BY: MEM/OCK			
REVISION	DATE		

CITY OF GRANDVIEW
 OLD INLAND EMPIRE
 HIGHWAY IMPROVEMENTS

DRAINAGE STRUCTURE NOTES AND DETAILS

SHEET
 35
 OF
 37

