

WASHINGTON UTILITIES AND TRANSPORTATION COMMISSION

Skagit County _____) DOCKET NO. TR-
Petitioner, _____)
vs. _____) PETITION FOR INSTALLATION OF
Burlington Northern Santa Fe Railway _____) MEDIAN BARRIERS AT A
Respondent _____) HIGHWAY-RAIL GRADE
_____) CROSSING
_____) USDOT CROSSING NO.: 084787G
_____)
_____)
_____)

The Petitioner asks the Washington Utilities and Transportation Commission to approve installation of median barriers at a highway-rail grade crossing.

Section 1 – Petitioner’s Information

Skagit County
Petitioner _____

Signature

1800 Continental Place
Street Address _____

Mount Vernon, WA 98273
City, State and Zip Code _____

Same
Mailing Address, if different than the street address _____

Forrest Jones
Contact Person Name _____

360-416-1422 forresti@co.skagit.wa.us
Contact Phone Number and Email Address _____

Section 2 – Respondent's Information

Burlington Northern Santa Fe Railway
Respondent

2454 Occidental Avenue South, Suite 2D
Street Address

Seattle, WA 98134
City, State and Zip Code

Mailing Address, if different than the street address

Stephen Semenick, Manager of Public Projects
Contact Person Name

206-625-6152, Stephen.Semenick@BNSF.com
Contact Phone Number and Email Address

Section 3 – Crossing Location

1. Name of highway/roadway Colony Road

2. Name of railroad Burlington Northern Santa Fe Railway

3. USDOT Crossing No. 084787G

4. Located in the NE 1/4 of the NW 1/4 of Sec. 27, Twp. 36N Range 3E W.M.

5. GPS location, if known Lat. 48.5844109 / Long. -122.4120508

6. Railroad mile post (nearest tenth) 80.925

7. City Burlington County Skagit

Section 4 – Current Crossing Traffic

1. Type of public road at the crossing State County City
 Port State Park Other _____
2. Average daily vehicle traffic over the tracks 601 Vehicle speed limit 40-MPH
3. Number of lanes 2
4. Trucks (commercial vehicles) are what percent of average daily traffic 9.7
5. Number of school buses over the crossing each day 2
6. Name of railroad(s) operating at crossing _____
 Burlington Northern Santa Fe Railway
 AmTrac _____
7. Type of railroad at crossing Common Carrier Logging Industrial
 Passenger Excursion
8. Type of tracks at crossing Main Line Siding or Spur
9. Number of tracks at crossing 1
10. Average daily train traffic, freight 20
 Authorized freight train speed 59 Operated freight train speed 50
11. Average daily train traffic, passenger 2
 Authorized passenger train speed 79 Operated passenger train speed 79

Section 5 – Justification

1. Provide the following information:

a. Describe in detail the why this crossing should have median barriers installed.

Skagit County has issued a Notice of Intent to establish a quiet zone at the Colony Road at grade crossing. With the lack of train horns the risk index increases substantially, in order to reduce the risk index at this crossing without train horns it is necessary to install Supplemental Safety Measures (SSM's), non-traversable median barriers. The installation of the non-traversable median barriers with delineators will reduce the risk index with horns from 16,071.92 to 13,815.15 without horns, a 14% reduction, in addition to bringing it below the National Significant Risk Index of 14,347.00. The non-traversable median barriers will provide a physical deterrent in the absence of the train horn and restrict motorist from driving around the gates. The crossing will maintain the existing warning devices of two gates, advanced warning signs, bells and flashing lights. This crossing is part of a four crossing quiet zone in which non-traversable median barriers will be installed at three of the four crossings, reducing the overall risk index for the quiet zone from 11,497.06 with train horns to 6,077.37 without train horns.

b. Provide a description of the type of median barriers proposed.

The non-traversable median barriers will be constructed on-site using concrete. The median will be 12 inches in width and 6 inches in height. The length of the median barriers will begin at the gates and extend 100 feet in length. Reflective breakaway traffic channelization devices are 36 inches tall by 8 to 12 inches wide with 192 to 288 square inches of type III reflective sheeting. These will be installed on top of the median barriers and spaced at approximately 120 inch intervals the length of the median barriers.

c. Describe who will maintain the barriers.

The non-traversable median barriers will be maintained by Skagit County Public Works Operations Division. The barriers, channelization devices, and signing will be maintained in accordance with standard maintenance practices, repairing or replacing any compromising functionality of the barrier, channelization devices, and signing. As with all of our traffic control devices, the County performs annual inspections that included retro-reflectivity surveys and repainting of striping and curbing/medians. As this will be Skagit County's first quiet zone, we intend to monitor the site closely and address any issues, maintenance or operational that may occur.

d. Attach a proposed diagram or design of the crossing and median barriers.

See see attached plan of the proposed non-traversable median barriers

Section 6 – Waiver of Hearing by Respondent

Waiver of Hearing

The undersigned represents the Respondent in the petition to install median barriers at the following crossing.

USDOT Crossing No. 084787G

We have investigated the conditions at the crossing. We are satisfied the conditions are the same as described by the Petitioner in this docket. We agree installation of median barriers should be made and consent to a decision by the commission without a hearing.

Dated at _____, Washington, on the _____ day of _____, 20 ____.

Printed name of Respondent

Signature of Respondent's Representative

Title

Company Name

Phone number and email address

Mailing address

RESOLUTION NO.

RESOLUTION INITIATING COUNTY ROAD PROJECTS

BEFORE THE BOARD OF COUNTY COMMISSIONERS OF SKAGIT COUNTY, WA

In the matter of initiating County Road Projects and assigning CRP numbers.

IT IS HEREBY RESOLVED THAT the Blanchard Quiet Zone, Tye Road Culvert, and Guemes Ferry Parking Lot Improvements Projects listed below be improved as shown at or between the points indicated. These projects are hereby declared to be a public necessity and the county road engineer is hereby ordered and authorized to report and proceed thereon as by law provided. (RCW 36.75.050, 36.80.030, and 36.80.070).

IT IS FURTHER RESOLVED that if and when Washington State Department of Transportation (WSDOT) services are used during a project as mandated in RCW 47.04.060, authorization is hereby given that WSDOT will be reimbursed for services rendered.

IT IS FURTHER RESOLVED that appropriations from the officially adopted Road Fund budget and based on the County Engineer's estimates are hereby made in the amounts and for the purposes shown:

1	2	3	4	5	6	7			8	9	
						COST ESTIMATE (THOUSANDS)					
ROAD NAME AND/OR BRIDGE NUMBER	RD. LOG NO.	M.P. TO M.P.	TYPE OF WORK SEE CODES BELOW	CONTRACT	COUNTY FORCES	PE, ROW	CN	GRANT	LOCAL	ACP ITEM NO.	CRP NO.
BLANCHARD QUIET ZONE (Legg Rd / Colony Rd)	20830 24000	Vary	Vary A,F,G	X	X	18	45	0	63	21	ES20830-3 / -3A
TYEE ROAD	83000	0.50	A,H	X	X	37	214	0	251	20	ES83000-2
GUEMES FERRY PARKING LOT IMPROVEMENTS	N/A	N/A	A,J	X	X	47	203	216	34	22	FEMP-6

Appropriate

(4) Type of Work Code:

- A. Preliminary Engineering
- B. Right-of-Way
- C. Grading, Draining, Surfacing
- D. BST
- E. AC or PCC Pavement

- F. Curbs & Gutters
- G. Traffic Facilities
- H. Bridges, Culverts
- I. Paths and Trails
- J. Ferry

IT IS FURTHER RESOLVED that:

- The construction is to be accomplished by contract in accordance with RCW 36.77.020 et seq.
- The construction is to be accomplished by county forces in accordance with RCW 36.77.065 and WAC 136-18.
- The construction is to be accomplished by contract with County Force participation.

ADOPTED this 19 day of June, 2017.

BOARD OF COUNTY COMMISSIONERS
SKAGIT COUNTY, WASHINGTON

Ron Wesen
Ron Wesen, Chair

ABSENT

Kenneth A. Dahlstedt, Commissioner

Lisa Janicki
Lisa Janicki, Commissioner



Attest:

Linda Stunne
Clerk of the Board

Approved as to Form: [Signature]
Skagit County Prosecuting Attorney

Approved as to Content: [Signature]
Department Head

BLANCHARD QUIET ZONE (LEGG RD & COLONY RD CROSSINGS)

ES20830-3 \ ES20830-3A

FEDERAL AID NO.: N/A

SKAGIT COUNTY OFFICIALS

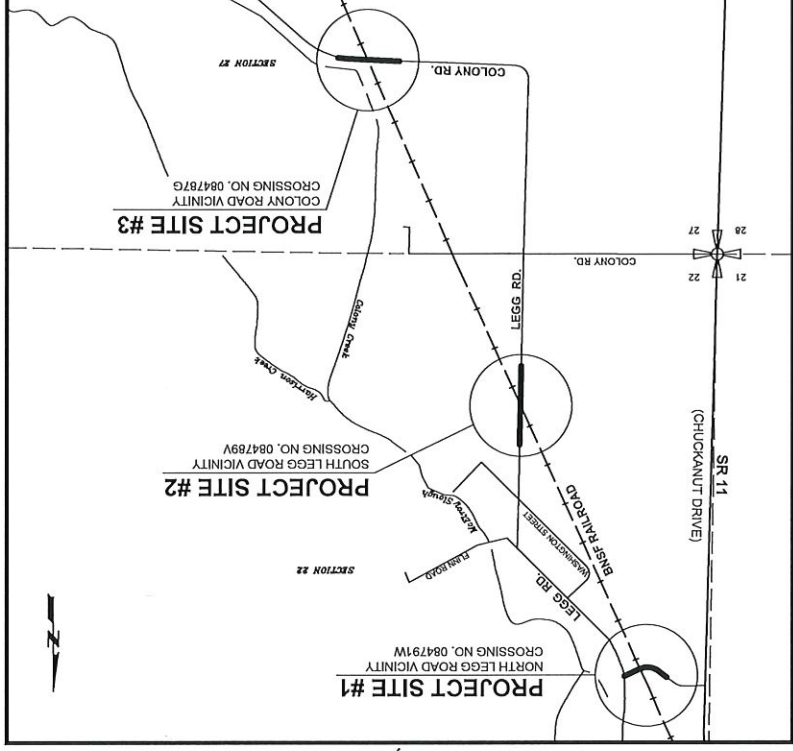
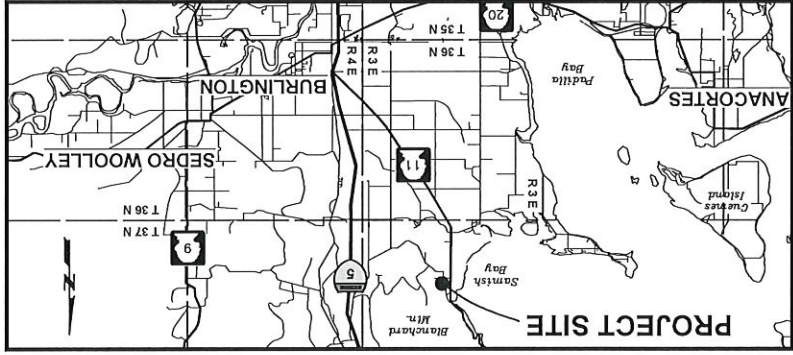
- RON WESSEN, CHAIR
- BOARD OF COMMISSIONERS
- KENNETH A. DAHLSTEDT, COMMISSIONER
- LISA JANICKI, COMMISSIONER
- PUBLIC WORKS
- DAN BERENTSON, DIRECTOR



PAUL A. RANDALL-GRUTTER, P.E., COUNTY ENGINEER DATE

PLAN SHEET INDEX

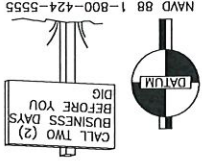
- SHEET TITLE
- 1 COVER, LEGEND
- 2 ROAD SECTIONS
- 3-5 CURB & SIGNING PLANS
- 6 CURB DETAILS



SUMMARY OF QUANTITIES

Item #	Qty.	Unit	Item Description
1	1	LS	MOBILIZATION
2	30	CY	BALLAST
3	560	LF	EXTRUDED DUAL-FACED TRAFFIC CURB
4	56	EA	VERTICAL PANEL
5	560	LF	PAINTING CURB
6	200	LF	PAINT REMOVAL
7	16	EA	PERMANENT SIGNING
8	1	LS	ROADSIDE CLEANUP
9	1	LS	REIMBURSEMENT FOR THIRD PARTY DAMAGE
10	2	DAY	RAILROAD FLAGGING
11	1	LS	SFCC

- LEGEND
- EXISTING EDGE OF PAVEMENT
 - EXISTING EDGE OF SHOULDER
 - EXISTING CONCRETE PAD
 - EXISTING RAILROAD TRACKS
 - ⊗ EXISTING RAILROAD GATE
 - x --- EXISTING GUARDRAIL
 - EXISTING SIGN
 - ▲ NEW SIGN
 - PROPOSED CURB
 - FILL --- GRADING / FILL LIMITS
 - EXISTING PAVEMENT MARKINGS
 - EXISTING POWER POLE



1 OF 6 SHEET

1 INCH SCALE BAR
ADJUST SCALE ACCORDINGLY

**BLANCHARD QUIET ZONE
LEGG RD & COLONY RD
CROSSINGS**

INDEX / VICINITY / SOQ / LEGEND

PROJECT NO.: ES20830-3 \ ES20830-3A

FED. AID NO.: N/A

DESIGNED BY: SA

CHECKED BY: PJ

DRAWN BY: SA

APPROVED BY:

PROJECT LOCATED NEAR:
BOW, WA

TOWNSHIP 26 RANGE 3 EAST SECTIONS 22 & 27

ENGINEER OF RECORD

DESIGN ENGINEER

NO.	REVISIONS	DATE

**Skagit County
Public Works**

1800 CONTINENTAL PLACE
MOUNT VERNON, WA 98273-5625
(360) 416-1400 FAX: (360) 416-1405

SOUTH - September 19 2017 - 8:53 AM - J:\DESIGN\ARCHIVE\PROJECT_CONCEPT\CAD\ES20830-3_BOX_P3_CONTRACT\PLANS.DWG

BLANCHARD QUIET ZONE (LEGG RD & COLONY RD CROSSINGS)

FEDERAL AID NO.: N/A

ES20830-3 \ ES20830-3A

**SKAGIT COUNTY
PUBLIC WORKS**

1800 CONTINENTAL PLACE
MOUNT VERNON, WA 98273-5525
(360) 416-1400 FAX (360) 416-1405

NO.	REVISIONS	DATE

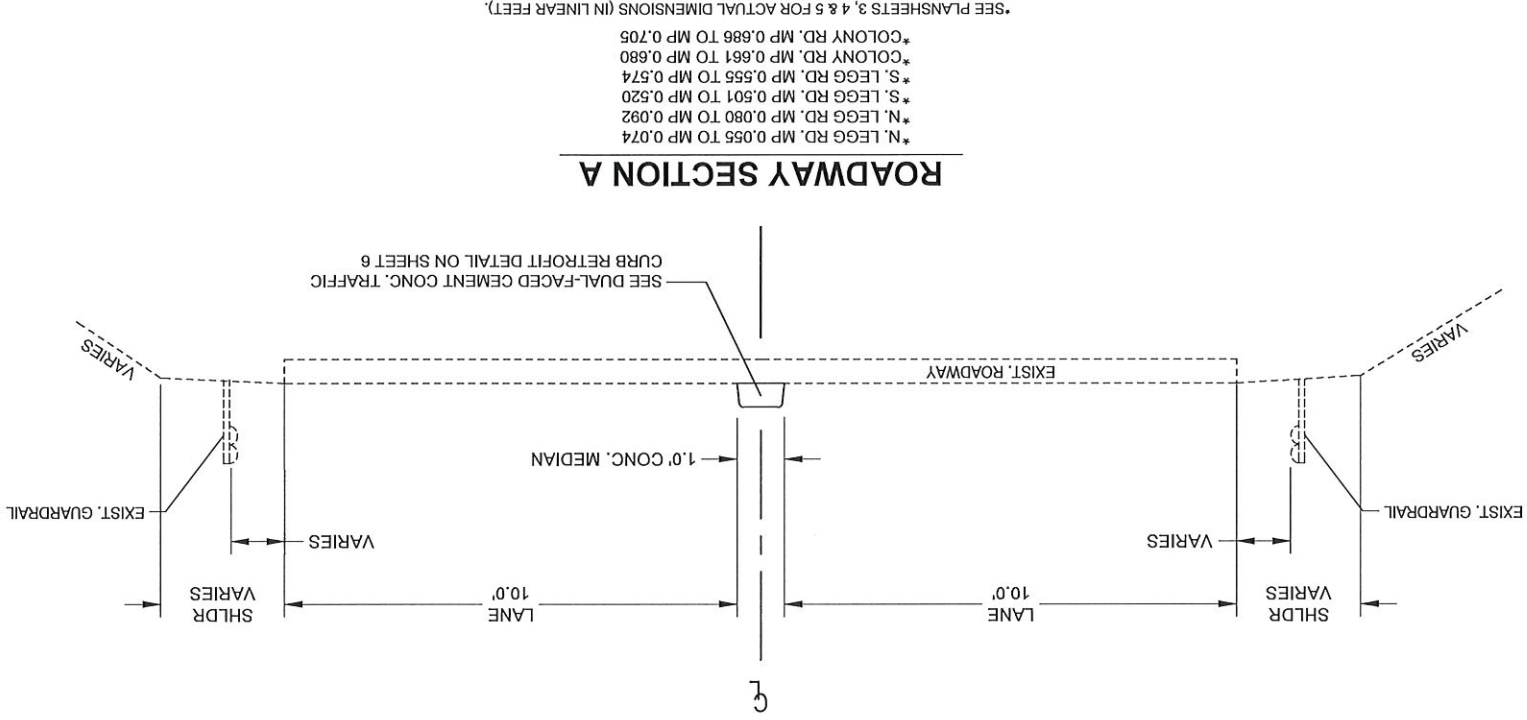
DESIGN ENGINEER

ENGINEER OF RECORD

PROJECT NO.: ES20830-3 \ ES20830-3A	FED. AID NO.: N/A
DESIGNED BY: SA	DRAWN BY: SA
CHECKED BY: FJ	APPROVED BY:
PROJECT LOCATED NEAR: BOW, WA	TOWNSHIP 36 RANGE 3 EAST SECTIONS 22 & 27

**BLANCHARD QUIET ZONE
LEGG RD & COLONY RD
CROSSINGS**
ROADWAY SECTIONS

1 INCH SCALE BAR
ADJUST SCALE ACCORDINGLY
SHEET
2 OF 6



BLANCHARD QUIET ZONE (LEGG RD & COLONY RD CROSSINGS)

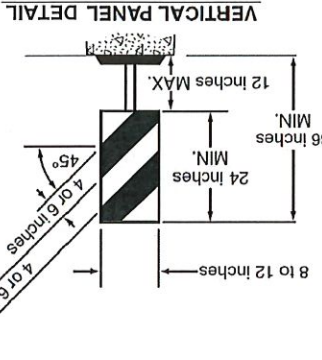
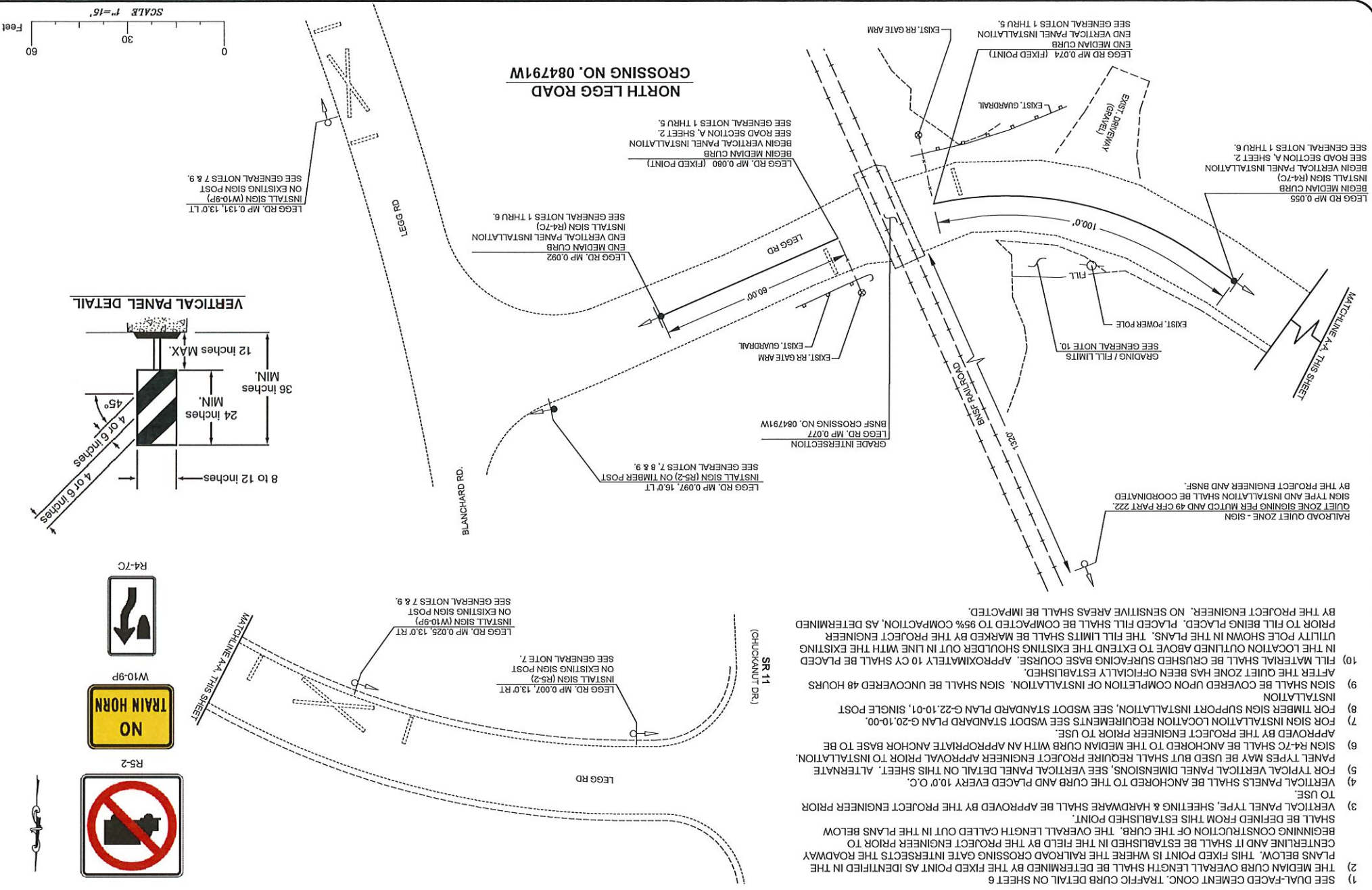
ES20830-3 \ ES20830-3A

FEDERAL AID NO.: N/A

GENERAL NOTES

- 1) SEE DUAL-FACED CURB DETAIL ON SHEET 6
- 2) THE MEDIAN CURB OVERALL LENGTH SHALL BE DETERMINED BY THE FIXED POINT AS IDENTIFIED IN THE PLANS BELOW. THIS FIXED POINT IS WHERE THE RAILROAD CROSSING GATE INTERSECTS THE ROADWAY CENTERLINE AND IT SHALL BE ESTABLISHED IN THE FIELD BY THE PROJECT ENGINEER PRIOR TO BEGINNING CONSTRUCTION OF THE CURB. THE OVERALL LENGTH CALLED OUT IN THE PLANS BELOW SHALL BE DEFINED FROM THIS ESTABLISHED POINT.
- 3) VERTICAL PANEL TYPE, SHEETING & HARDWARE SHALL BE APPROVED BY THE PROJECT ENGINEER PRIOR TO USE.
- 4) VERTICAL PANELS SHALL BE ANCHORED TO THE CURB AND PLACED EVERY 10.0' O.C.
- 5) FOR TYPICAL VERTICAL PANEL DIMENSIONS, SEE VERTICAL PANEL DETAIL ON THIS SHEET. ALTERNATE PANEL TYPES MAY BE USED BUT SHALL REQUIRE PROJECT ENGINEER APPROVAL PRIOR TO INSTALLATION.
- 6) SIGN R4-7C SHALL BE ANCHORED TO THE MEDIAN CURB WITH AN APPROPRIATE ANCHOR BASE TO BE APPROVED BY THE PROJECT ENGINEER PRIOR TO USE.
- 7) FOR SIGN INSTALLATION LOCATION REQUIREMENTS SEE WSDOT STANDARD PLAN G-20.10-00.
- 8) FOR TIMBER SIGN SUPPORT INSTALLATION, SEE WSDOT STANDARD PLAN G-22.10-01, SINGLE POST INSTALLATION.
- 9) SIGN SHALL BE COVERED UPON COMPLETION OF INSTALLATION. SIGN SHALL BE UNCOVERED 48 HOURS AFTER THE QUIET ZONE HAS BEEN OFFICIALLY ESTABLISHED.
- 10) FILL MATERIAL SHALL BE CRUSHED SURFACING BASE COURSE. APPROXIMATELY 10 CY SHALL BE PLACED IN THE LOCATION OUTLINED ABOVE TO EXTEND THE EXISTING SHOULDER OUT IN LINE WITH THE EXISTING UTILITY POLE SHOWN IN THE PLANS. THE FILL LIMITS SHALL BE MARKED BY THE PROJECT ENGINEER PRIOR TO FILL BEING PLACED. PLACED FILL SHALL BE COMPACTED TO 95% COMPACTION, AS DETERMINED BY THE PROJECT ENGINEER. NO SENSITIVE AREAS SHALL BE IMPACTED.

RAILROAD QUIET ZONE - SIGN QUIET ZONE SIGNING PER MUTCD AND 49 CFR PART 222. SIGN TYPE AND INSTALLATION SHALL BE COORDINATED BY THE PROJECT ENGINEER AND BNSF.



BLANCHARD QUIET ZONE LEGG RD & COLONY RD CROSSINGS	
PROJECT NO.: ES20830-3 \ ES20830-3A DESIGNED BY: SA CHECKED BY: FJ PROJECT LOCATED NEAR: BOW, VA	DRAWN BY: SA APPROVED BY: BNSF CROSSING NO. 084791W TOWNSHIP 26 RANGE 3 EAST SECTIONS 22 & 27
FEDERAL AID NO.: N/A	
ENGINEER OF RECORD DESIGN ENGINEER	
NO. DATE	
REVISIONS	
1800 CONTINENTAL PLACE MOUNT VERNON, VA 92273-5625 (360) 416-1400 FAX (360) 416-1405	
Skagit County Public Works	

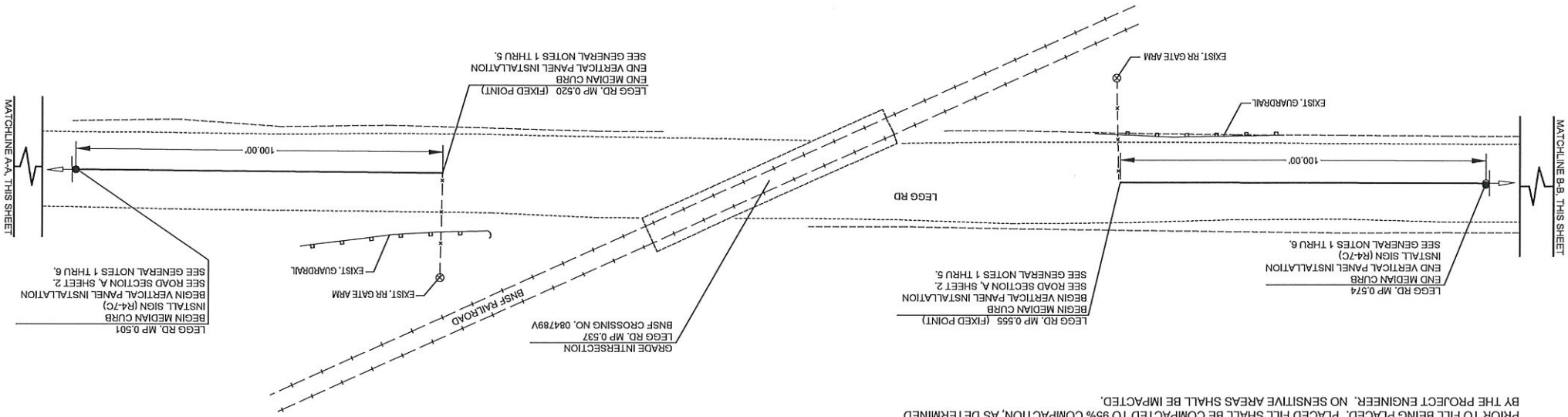
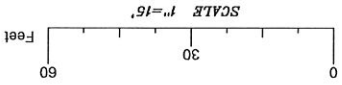
BLANCHARD QUIET ZONE (LEGG RD & COLONY RD CROSSINGS)

ES20830-3 \ ES20830-3A

FEDERAL AID NO.: N/A

GENERAL NOTES

- 1) SEE DUAL-FACE CEMENT CONC. TRAFFIC CURB DETAIL ON SHEET 6
- 2) THE MEDIAN CURB OVERALL LENGTH SHALL BE DETERMINED BY THE FIXED POINT AS IDENTIFIED IN THE PLANS BELOW. THIS FIXED POINT IS WHERE THE RAILROAD CROSSING GATE INTERSECTS THE ROADWAY CENTERLINE AND IT SHALL BE ESTABLISHED IN THE FIELD BY THE PROJECT ENGINEER PRIOR TO BEGINNING CONSTRUCTION OF THE CURB. THE OVERALL LENGTH CALLED OUT IN THE PLANS BELOW SHALL BE DEFINED FROM THIS ESTABLISHED POINT.
- 3) VERTICAL PANEL TYPE, SHEETING & HARDWARE SHALL BE APPROVED BY THE PROJECT ENGINEER PRIOR TO USE.
- 4) VERTICAL PANELS SHALL BE ANCHORED TO THE CURB AND PLACED EVERY 10.0' O.C.
- 5) FOR TYPICAL VERTICAL PANEL DIMENSIONS, SEE VERTICAL PANEL DETAIL ON THIS SHEET. ALTERNATE PANEL TYPES MAY BE USED BUT SHALL REQUIRE PROJECT ENGINEER APPROVAL PRIOR TO INSTALLATION.
- 6) SIGN R4-7C SHALL BE ANCHORED TO THE MEDIAN CURB WITH AN APPROPRIATE ANCHOR BASE TO BE APPROVED BY THE PROJECT ENGINEER PRIOR TO USE.
- 7) FOR SIGN INSTALLATION LOCATION REQUIREMENTS SEE WSDOT STANDARD PLAN G-20.10-00.
- 8) FOR TIMBER SIGN SUPPORT INSTALLATION, SEE WSDOT STANDARD PLAN G-22.10-01, SINGLE POST INSTALLATION.
- 9) SIGN SHALL BE COVERED UPON COMPLETION OF INSTALLATION. SIGN SHALL BE UNCOVERED 48 HOURS AFTER THE QUIET ZONE HAS BEEN OFFICIALLY ESTABLISHED.
- 10) FILL MATERIAL SHALL BE CRUSHED SURFACING BASE COURSE. APPROXIMATELY 10 CY SHALL BE PLACED IN THE LOCATION OUTLINED ABOVE TO EXTEND THE EXISTING SHOULDER OUT IN LINE WITH THE EXISTING UTILITY POLE SHOWN IN THE PLANS. THE FILL LIMITS SHALL BE MARKED BY THE PROJECT ENGINEER PRIOR TO FILL BEING PLACED. PLACED FILL SHALL BE COMPACTED TO 95% COMPACTION, AS DETERMINED BY THE PROJECT ENGINEER. NO SENSITIVE AREAS SHALL BE IMPACTED.



SOUTH LEGG ROAD CROSSING NO. 084789V

4 OF 6 SHEET

1 INCH SCALE BAR
ADJUST SCALE ACCORDINGLY

**BLANCHARD QUIET ZONE
LEGG RD & COLONY RD
CROSSINGS**
SOUTH LEGG ROAD
BNSF CROSSING NO. 084789V

PROJECT NO.: ES20830-3 \ ES20830-3A
FED. AID NO.: N/A
DESIGNED BY: SA
CHECKED BY: PJ
PROJECT LOCATED NEAR:
BOW, WA
TOWNSHIP 26 RANGE 3 EAST SECTIONS 22 & 27

DESIGN ENGINEER
ENGINEER OF RECORD

NO.	REVISIONS	DATE

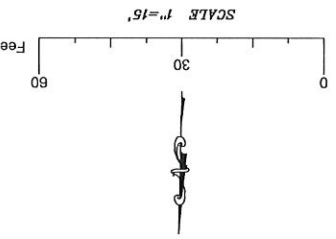
**Skagit County
Public Works**
1800 CONTINENTAL PLACE
MOUNT VERNON, WA 98273-5625
(360) 416-1400 FAX (360) 416-1405

BLANCHARD QUIET ZONE (LEGG RD & COLONY RD CROSSINGS)

ES20830-3 \ ES20830-3A

GENERAL NOTES

- 1) SEE DUAL-FACED CEMENT CONC. TRAFFIC CURB DETAIL ON SHEET 6
- 2) THE MEDIAN CURB OVERALL LENGTH SHALL BE DETERMINED BY THE FIXED POINT AS IDENTIFIED IN THE PLANS BELOW. THIS FIXED POINT IS WHERE THE RAILROAD CROSSING INTERSECTS THE ROADWAY CENTERLINE AND IT SHALL BE ESTABLISHED IN THE FIELD BY THE PROJECT ENGINEER PRIOR TO BEGINNING CONSTRUCTION OF THE CURB. THE OVERALL LENGTH CALLED OUT IN THE PLANS BELOW SHALL BE DEFINED FROM THIS ESTABLISHED POINT.
- 3) VERTICAL PANEL TYPE, SHEETING & HARDWARE SHALL BE APPROVED BY THE PROJECT ENGINEER PRIOR TO USE.
- 4) VERTICAL PANELS SHALL BE ANCHORED TO THE CURB AND PLACED EVERY 10.0' O.C.
- 5) FOR TYPICAL VERTICAL PANEL DIMENSIONS, SEE VERTICAL PANEL DETAIL ON THIS SHEET. ALTERNATE PANEL TYPES MAY BE USED BUT SHALL REQUIRE PROJECT ENGINEER APPROVAL PRIOR TO INSTALLATION.
- 6) SIGN R4-7C SHALL BE ANCHORED TO THE MEDIAN CURB WITH AN APPROPRIATE ANCHOR BASE TO BE APPROVED BY THE PROJECT ENGINEER PRIOR TO USE.
- 7) FOR SIGN INSTALLATION LOCATION REQUIREMENTS SEE WSDOT STANDARD PLAN G-20-10-00.
- 8) FOR SIGN INSTALLATION SUPPORT INSTALLATION, SEE WSDOT STANDARD PLAN G-22-10-11, SINGLE POST INSTALLATION.
- 9) SIGN SHALL BE COVERED UPON COMPLETION OF INSTALLATION. SIGN SHALL BE UNCOVERED 48 HOURS AFTER THE QUIET ZONE HAS BEEN OFFICIALLY ESTABLISHED.
- 10) FILL MATERIAL SHALL BE CRUSHED SURFACING BASE COURSE. APPROXIMATELY 10 CY SHALL BE PLACED IN THE LOCATION OUTLINED ABOVE TO EXTEND THE EXISTING SHOULDER OUT IN LINE WITH THE EXISTING UTILITY POLE SHOWN IN THE PLANS. THE FILL LIMITS SHALL BE MARKED BY THE PROJECT ENGINEER PRIOR TO FILL BEING PLACED. PLACED FILL SHALL BE COMPACTED TO 95% COMPACTION, AS DETERMINED BY THE PROJECT ENGINEER. NO SENSITIVE AREAS SHALL BE IMPACTED.



FEDERAL AID NO.: N/A

SKAGIT COUNTY
PUBLIC WORKS

1800 CONTINENTAL PLAGE
MOUNT VERNON, WA 98273-5625
(360) 416-1400 FAX (360) 416-1405

DESIGN ENGINEER

ENGINEER OF RECORD

PROJECT NO.: ES20830-3 \ ES20830-3A

FED. AID NO.: N/A

DESIGNED BY: SA
DRAWN BY: SA
CHECKED BY: PJ
APPROVED BY:

PROJECT LOCATED NEAR:
BOM, WA

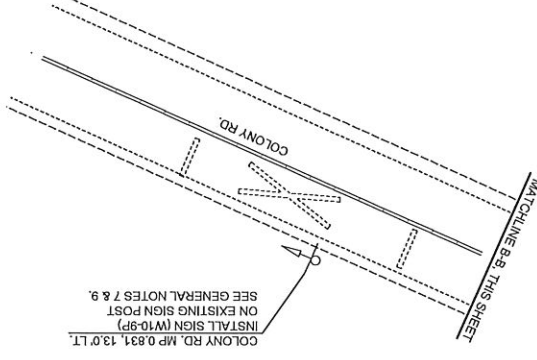
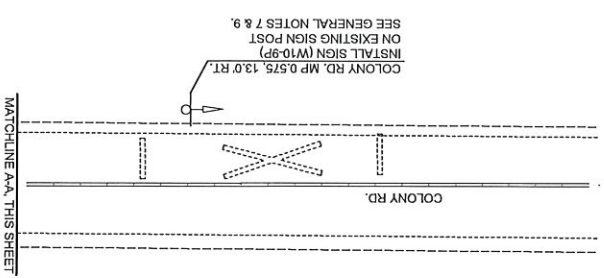
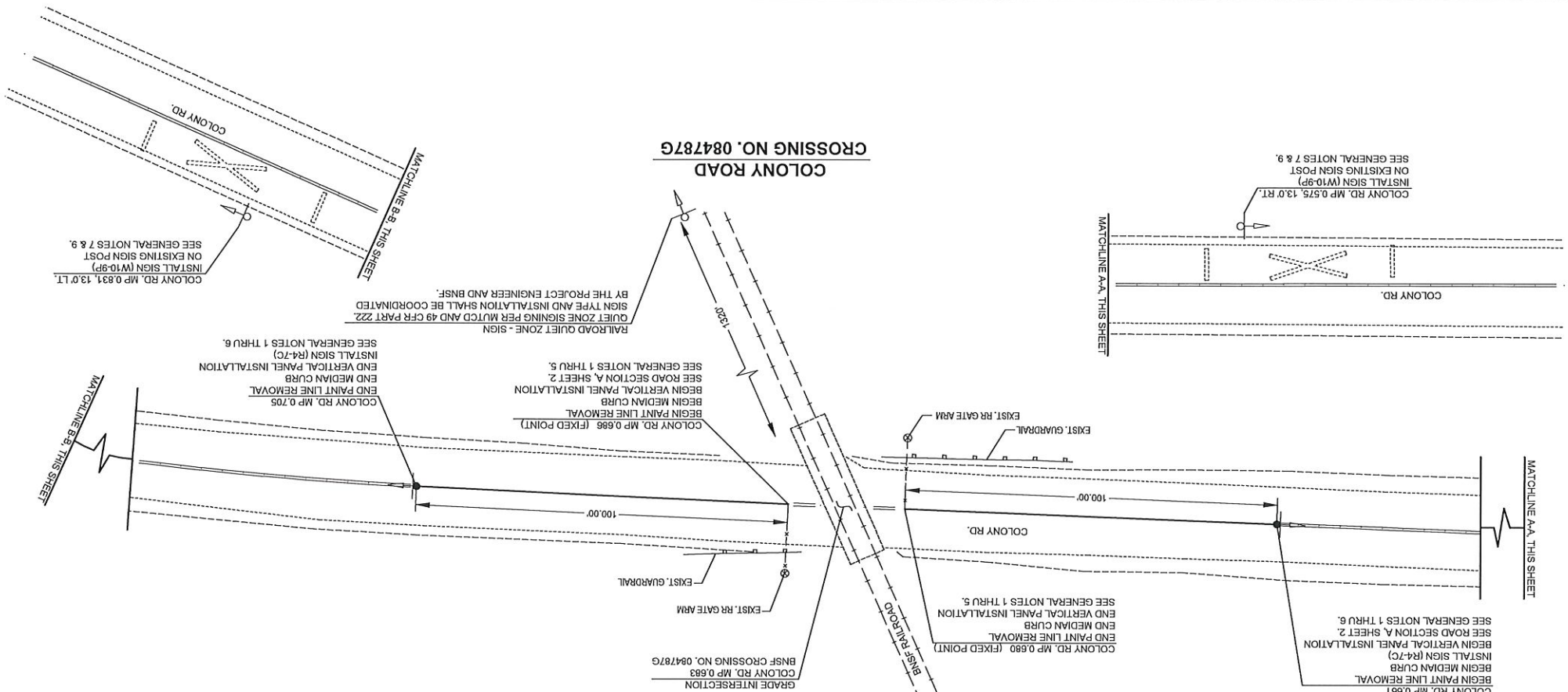
TOWNSHIP 28 RANGE 3 EAST SECTIONS 22 & 27

BLANCHARD QUIET ZONE
LEGG RD & COLONY RD
CROSSINGS

COLONY ROAD
BNSF CROSSING NO. 084787G

5 OF 6
SHEET

1 INCH SCALE BAR
ADJUST SCALE ACCORDINGLY

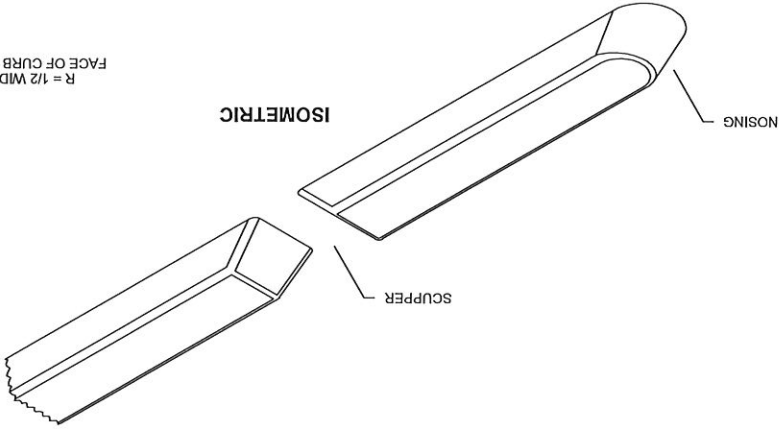


SOUTH - SHEET 19, 2017 - 12:03 PM - J:\03\BLANCHARD QUIET_ZONE\BNSF_CROSSING\ES20830-3A_02.dwg, PLOT: PLOT.CONTRACT\PLANS.DWG

BLANCHARD QUIET ZONE (LEGG RD & COLONY RD CROSSINGS)

ES20830-3 \ ES20830-3A

FEDERAL AID NO.: N/A

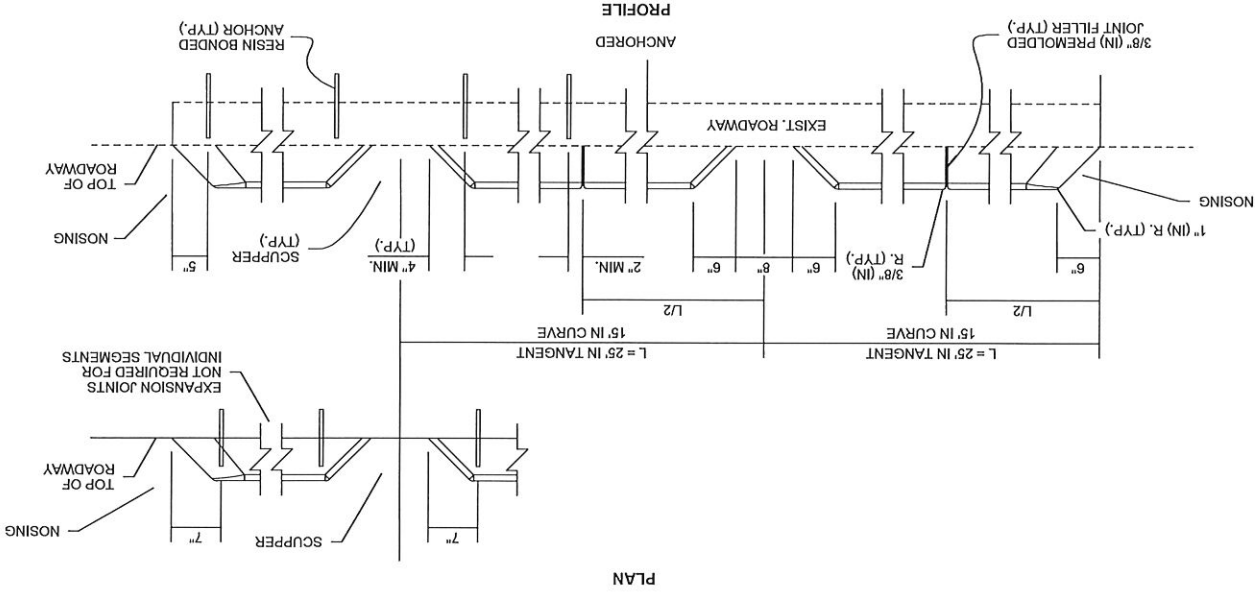
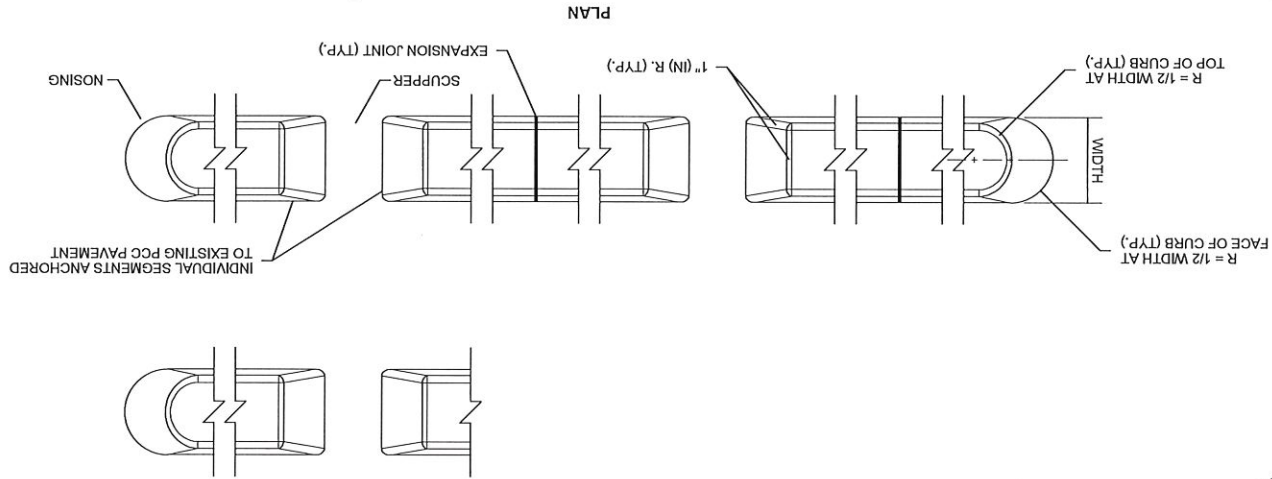
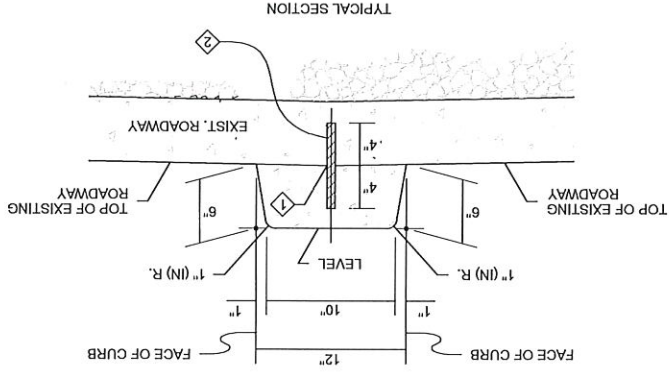


GENERAL NOTES:

1. EXTRUDED CURB SHALL BE USED AS APPROVED BY THE PROJECT ENGINEER.
2. CEMENT CONCRETE SHALL MEET OR EXCEED 4000 PSI COMPRESSIVE STRENGTH.
3. CEMENT MIX DESIGN SHALL BE SUBMITTED BY THE CONTRACTOR AND APPROVED BY THE PROJECT ENGINEER PRIOR TO USE.
4. FINISHED CURB SHALL BE PAINTED YELLOW AFTER A 28-DAY CURE TIME OF THE MEDIAN CURB.

CONSTRUCTION NOTES:

- ① DRILL 3/4" (1N) DIAMETER HOLE IN THE PCC PAVEMENT.
- ② HORS (# 4 STEEL REINFORCING BAR @ 18" (1N) O.C.)



SCUPPER DETAILS WHERE SHOWN ON PLANS

6 OF 6 SHEET

BLANCHARD QUIET ZONE
LEGG RD & COLONY RD
CROSSINGS
CURB DETAILS

PROJECT NO.: ES20830-3 \ ES20830-3A
FED. AID NO.: N/A
DESIGNED BY: SA
DRAWN BY: SA
CHECKED BY: PJ
APPROVED BY:
PROJECT LOCATED NEAR:
BOM, VA
TOWNSHIP 28 RANGE 3 EAST SECTIONS 22 & 27

ENGINEER OF RECORD
DESIGN ENGINEER

NO.	REVISIONS	DATE

Skagit County
Public Works
1800 CONTINENTAL PLACE
MOUNT VERNON, VA 98273-5625
(360) 416-1400 FAX (360) 416-1405