

Exh. RAV-4
Docket UE-19 _____
Witness: Rick A. Vail

**BEFORE THE WASHINGTON
UTILITIES AND TRANSPORTATION COMMISSION**

WASHINGTON UTILITIES AND
TRANSPORTATION COMMISSION,

Complainant,

v.

PACIFICORP dba
PACIFIC POWER & LIGHT COMPANY

Respondent.

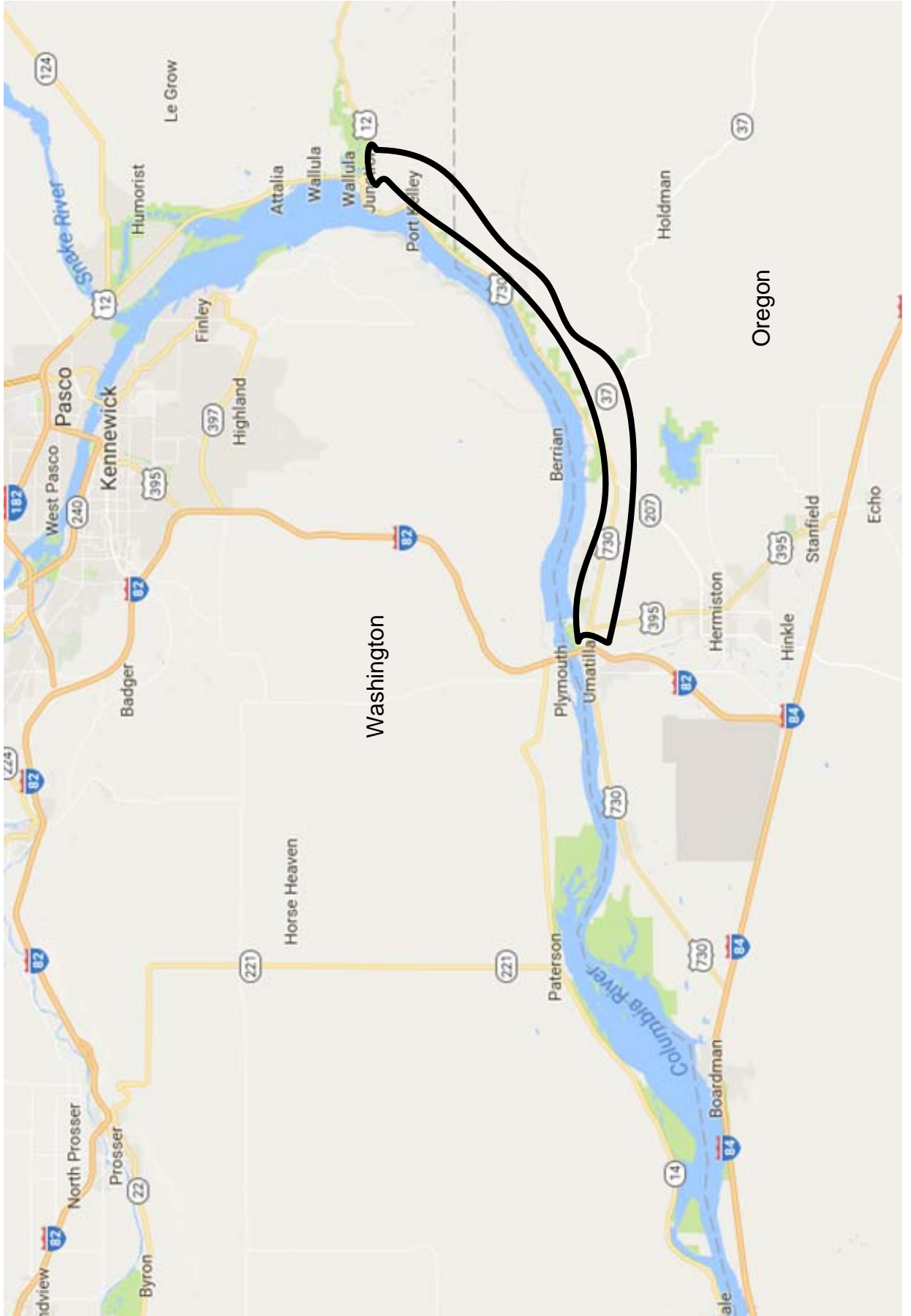
Docket UE-19 _____

**PACIFICORP
EXHIBIT OF RICK A. VAIL**

Wallula-McNary Project

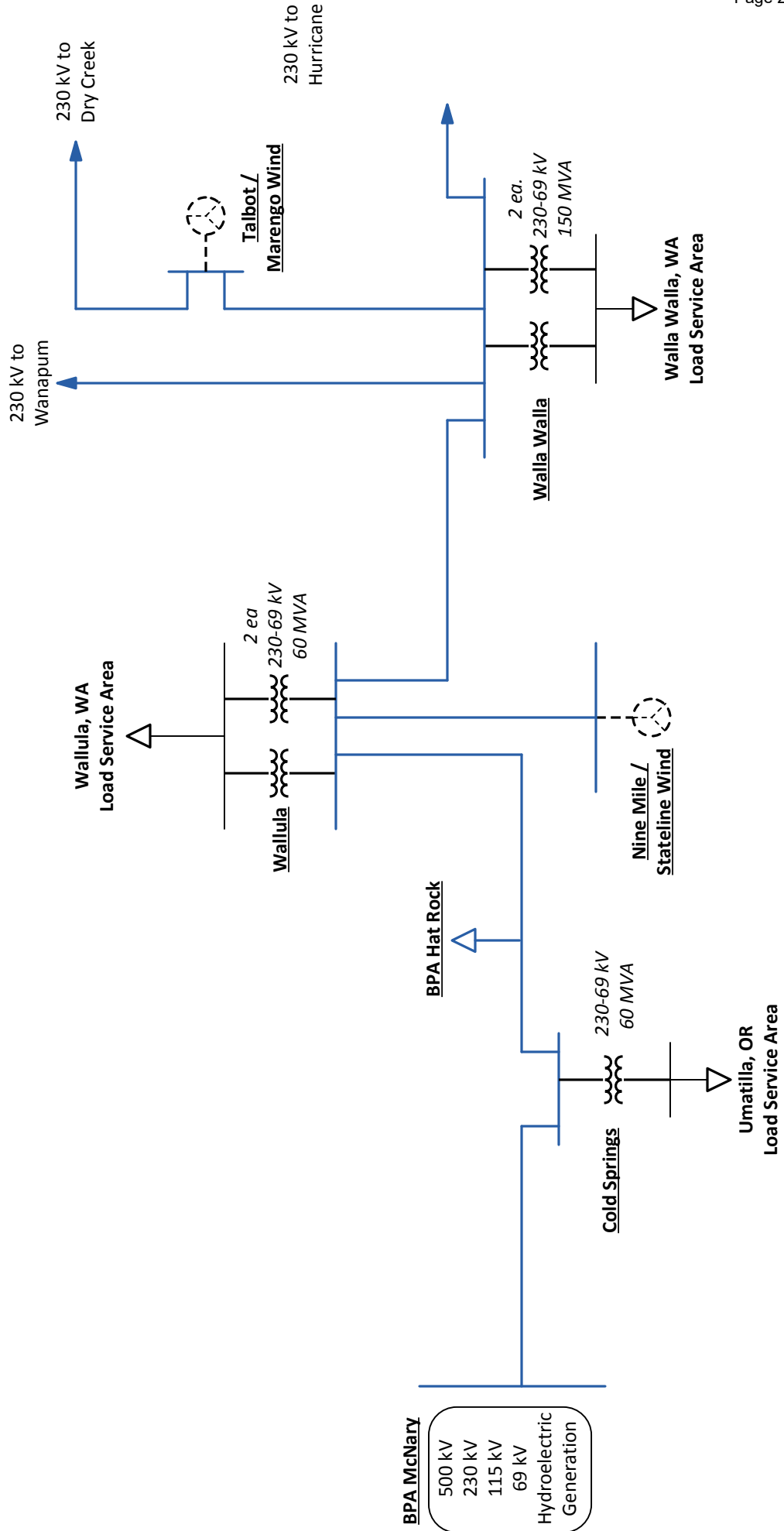
December 2019

Wallula to McNary 230 KV New Transmission Line Project Area



Walla-McNary #2 Project Diagram Pre-Project

Note: Dashes Indicate Non-PacificCorp Facilities



Walla-McNary #2 Project Diagram Post-Project

Note: Dashes indicate Non-PacificCorp Facilities

