

**EXHIBIT NO. \_\_\_(MRM-9)  
DOCKET NO. UE-11\_\_\_/UG-11\_\_\_  
2011 PSE GENERAL RATE CASE  
WITNESS: MATTHEW R. MARCELIA**

**BEFORE THE  
WASHINGTON UTILITIES AND TRANSPORTATION COMMISSION**

**WASHINGTON UTILITIES AND  
TRANSPORTATION COMMISSION,**

**Complainant,**

**v.**

**PUGET SOUND ENERGY, INC.,**

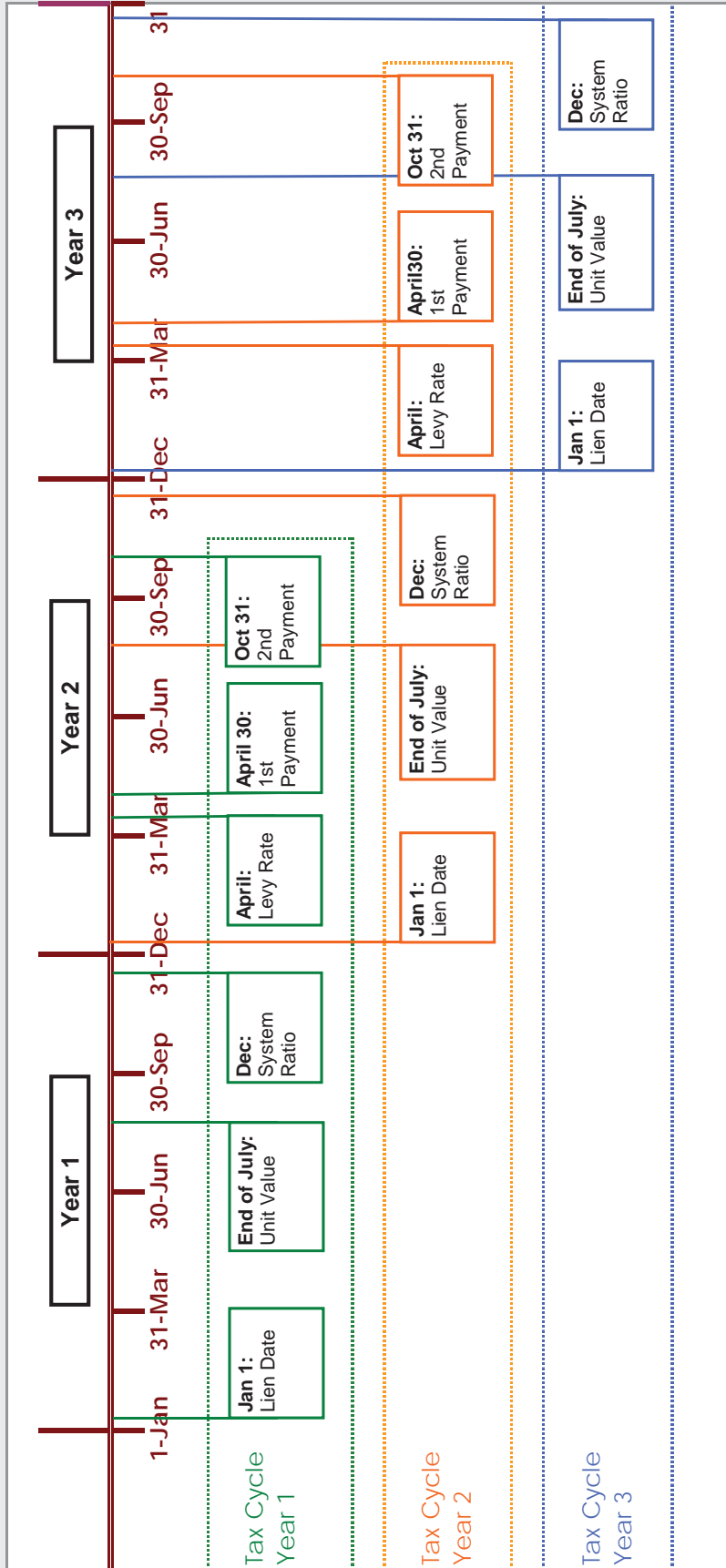
**Respondent.**

**Docket No. UE-11\_\_\_  
Docket No. UG-11\_\_\_**

**EIGHTH EXHIBIT (NONCONFIDENTIAL) TO THE  
PREFILED DIRECT TESTIMONY OF  
MATTHEW R. MARCELIA  
ON BEHALF OF PUGET SOUND ENERGY, INC.**

**JUNE 13, 2011**

# Property Tax Timeline



This timeline illustrates the property tax cycles for different years and how they overlap.