

Facility Based Directory Listings

Table of Contents

63.	FACILITY BASED DIRECTORY LISTINGS (FBDL)	2
63.1	BUSINESS DESCRIPTION.....	2
63.2	BUSINESS MODEL.....	5
63.2.1	<i>Exception Order Flow</i>	6
63.3	DEVELOPER WORKSHEETS.....	8
63.4	TRADING PARTNER ACCESS INFORMATION.....	9
63.4.1	<i>Functional Group Envelope – Routing Information</i>	9
63.4.2	<i>ISA TABLE INFORMATION</i>	9
63.4.3	<i>GS TABLE INFORMATION</i>	10
63.4.4	<i>MAPPING EXAMPLE AND DATA DICTIONARY ITEMS:</i>	11
63.4.5	<i>MAPPING EXAMPLE AND DATA DICTIONARY ITEMS:</i>	12
63.5	MAPPING EXAMPLES / DATA MODEL	13
63.5.1	<i>850 Facility Based Directory Listings Mapping Example (850FBDL) – Version 4020.</i>	13
63.6	DATA DICTIONARY	19
63.6.1	<i>850 Facility Based Directory Listings (850FBDL) - Version 4020</i>	19

63. Facility Based Directory Listings (FBDL)

63.1 Business Description

Listings involve the publication of an end user's information within white page directories and directory assistance. The information that may be listed includes, but is not limited to the following:

- Name
- Address
- Phone Number
- Business or occupation designation
- Extra/additional information

CLEC's provide end-user directory listing information to Qwest to ensure the end-user's listings in Qwest's listing database are current and accurate. These make the CLEC's listings available to Qwest Directory Assistance (DA), other DA providers and for publication in published white page directories, based on contractual agreements. Maintaining a comprehensive listing database, regardless of each customer's Local Service Provider, ensures that end user customers have access to complete DA information (provided by Qwest), and the option to appear in a published white page directory.

- Facility Based services are provided to end user customers by CLEC's who maintain their own switches, and facilities. A DSR and DL must be submitted for Facility Based Directory Listings (FBDL). The request may include simple listings only, complex listings only, or a combination.

A DSR for every FBDL request will be submitted to Qwest. The DSR form contains basic header information, CLEC initiator information and Service Address information about a customer order. A minimum of one DL form for every FBDL request will be submitted to Qwest. The DL record contains the directory listing information that is being requested and one DL form is required for each directory listing requested.

The following forms will be used between Qwest and the CLEC for FBDL ordering purposes:

- DSR- Directory Service Request
- DL- Directory Listing

Business Rules for Combining DSR Order and Listing Activity for Facility Based Directory Listings:

Business Rules for Combining DSR Order and Listing Activity for **FBDL**

Order Activity Definition

DSR REQ TYPE	A C T	Definition	Application	LACT	Forms required
JB	N	New Account	Orders listing for a new account	N	DSR, DL
	D	Disconnect Account	Disconnect all listings associated with the account.	D	DSR, DL
	W	Conversion As Is CLEC to CLEC	A complete conversion of an account from one CLEC to another CLEC with no changes to the customer's existing listing information.	Z	DSR, DL
	C	Change	Change to existing service, add/remove features, add/remove line(s) to existing service/account, PIC/LPIC change, change/add/remove Directory Listing, change billing information, change telephone number	Z, I, O, D, N	DSR, DL
	T	Outside Move	Outside move of end user location. This activity is used for a physical move. Each listing must be included on a DL form with the instructions to keep the listing the same (LACT=Z) the LACT=Z is always required for the RTY=LML or change the listing (LACT=I and o), or delete the listing (LACT=D) which is not valid for RTY=LML. New Additional Tupe listings (LACT=N) may also be added.	Z, I, O, D, N	DSR, DL

LISTING ACTIVITIES

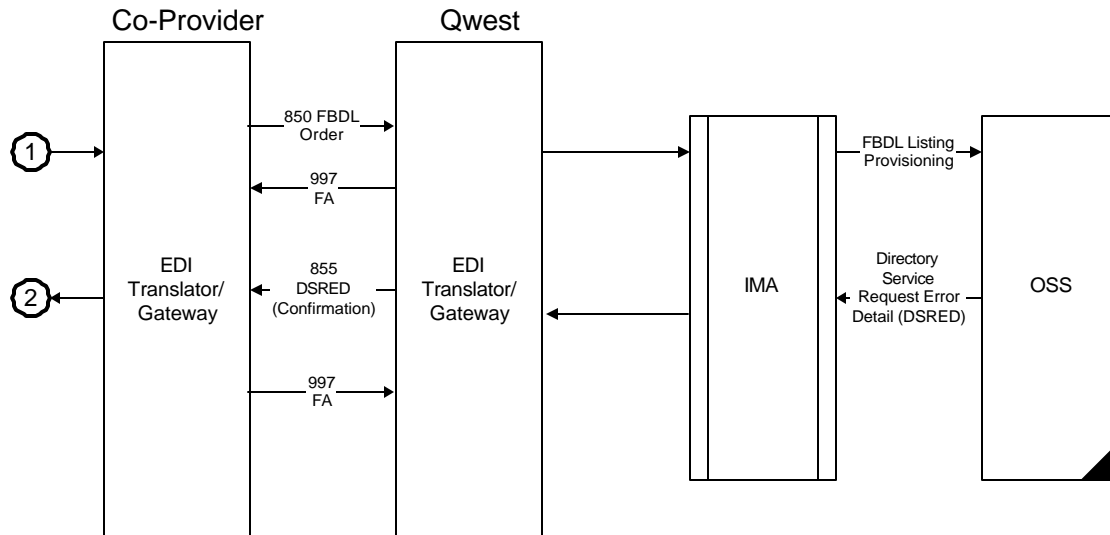
LACT	Definition	Application
N	New Listing	The DL form must specify all details about a new listing.
D	Delete existing listing	<p>The DL form must indicate the ALI code, if the main listing is not being deleted, the listing name, and text information to ensure the correct listing is deleted.</p> <p>If a main is deleted, all additional listings at that telephone number will automatically be disconnected, however, Co-Provider should always issue OBF Forms to officially disconnect all listings.</p>
I	Change existing listing (new data)	<p>Change activity is only valid if the person or business and book are staying the same, and just the details of the listing are changing. For example, if a person is changing their name, this would be a change of the listing. Otherwise, a delete and new must be used.</p> <p>Must have both an 'I' and an 'O' activity in order to specify a listing change. The 'O' activity should come before the 'I' activity. An associated DL form for the same listing with the listing activity of 'O' is required.</p>
O	Change existing listing (old data)	<p>Change activity is only valid if the person or business and book are staying the same, and just the details of the listing are changing. Otherwise, a delete and new must be used.</p> <p>Must have both an 'I' and an 'O' activity in order to specify a listing change. The 'O' activity should come before the 'I' activity. An associated DL form for the same listing with the listing activity of 'I' is required.</p>
Z	No change to existing listing	No change to existing listing. Allowed on a conversion as is CLEC to CLEC (ACT=W) or an outside move (ACT= T or ACT =C). Since the LML is required for all orders, the LACT=Z is required when there is no change to the LML and it is only being recapped. The DL form must indicate the ALI code (if not a main listing) and RTY for the listing to remain the same, along with the listing name and text information to ensure the correct listing is referenced.

63.2 Business Model

The following diagram depicts a normal 850 Facility Based Directory Listings (FBDL) order flow. A normal order flow means:

- No errors
- Supplemental orders are not applicable with an FBDL order flow.

Normal Order Flow



1. An FBDL Listing order is initiated by the Co-Provider, translated by the Co-Provider's Translator/Gateway to an 850 Purchase Order transaction set, and passed to the Qwest Translator/Gateway. Qwest's translator performs a syntax check and returns a positive 997 Functional Acknowledgment (FA) to the Co-Provider. The translator then maps the 850 Purchase Order transaction to an application file format, then forwards to Interconnect Mediated Access (IMA). The IMA gateway is a middleware that performs order content edits and interacts with the Operating Support System (OSS).
2. A Directory Service Request Error Detail (DSRED) message is sent to IMA. The IMA gateway formats and forwards the DSRED message to the EDI Translator/Gateway, where the message is mapped into an 855 DSRED - Confirmation response and transported to the Co-Provider's Translator/Gateway. A 997 Functional Acknowledgment will be returned to Qwest to confirm the receipt.

63.2.1 Exception Order Flow

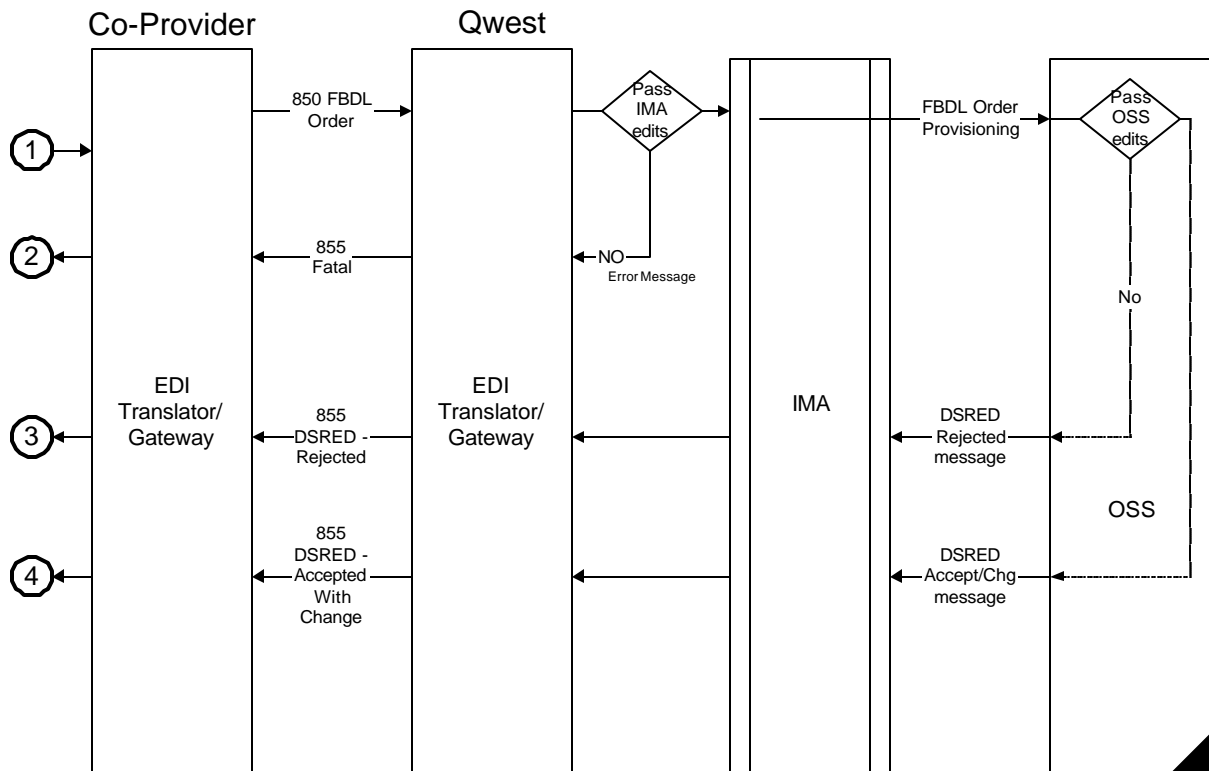
Exception flow exists when an 850 FBDL Listing order encounters an error. Errors are classified into two types of messages: Rejected and Accepted With Change. The rejection of an FBDL Listing order can occur at two possible points, either while going through IMA edits which results in a Fatal error response, or after passing through IMA edits and going through OSS edits for OSS processing which result in a Rejected response.

Fatal errors are errors detected by the IMA system that prevent the order from processing. To correct a system generated 855 Fatal error response, the original request must be corrected and resubmitted using the same PON where the error originally occurred. Messages rejected during the OSS edit process will generate an 855 DSRED – Rejected response to be returned.

Messages that are accepted but require changes (Accepted With Change) will pass IMA and OSS edits, but will identify necessary changes and generate an 855 DSRED – Accepted With Change response to be returned.

The diagram below illustrates possible error responses to the 850 FBDL Listing order. For simplicity, associated 997 Functional Acknowledgments are not reflected in the diagram.

Exception Order Flow



1. If an 850 FBDL order fails IMA edits, an 855 Fatal message is returned to the Co-Provider with one or more error codes.

2. The Co-Provider, having received the system generated 855 Fatal, needs to correct the 850 FBDL Listing order with the same or different PON, and re-send the 850 FBDL Listing order as an original request.
3. If an 850 FBDL Listing order fails OSS edits and an 855 DSRED – Rejected response is received, the Co-Provider should resubmit the request with a new PON.
4. When the 850 FBDL Listing order is posted to the OSS with changes, an 855 DSRED – Accepted With Change is returned to the CO-Provider. This confirmation means the OSS has accepted the 850 FBDL Listing order and listing process has begun.

63.3 Developer Worksheets

See Appendices B and C - Developer Worksheets - Order

63.4 Trading Partner Access Information

ORDERING FUNCTION	PRODUCT ID
Facility Based Directory Listing Request	850FBDL
Directory Service Request Error Detail	855DSRED

Order Submittal

The process begins with an EDI Trading Partner Access Information being passed between Qwest and the Co-Provider. The order request is transmitted by the Co-Provider via the EDI 850 format. Qwest will translate and forward the data to the internal application system.

63.4.1 Functional Group Envelope – Routing Information

Separate maps have been created per ordering function. EDI envelopes are used to initiate translation processing and to invoke the correct map. In order to optimize interactive performance, the Co-Provider and Qwest agree to include only one transaction set per Functional Group, and one Functional Group per Interchange.

The Interchange envelope provides the Interchange Sender ID and Receiver ID information for EDI transport to deliver the transmission for external routing. The Functional Group Envelope routes the enclosed transaction set's output after translation to a specific application or application interface.

The Application Sender's Code (GS02) and Receiver's Code (GS03) are the linkage from the Functional Group Envelope to the translator's trading partner profile/relationship database in which the proper mapping and routing information are stored. In addition, the Functional Identifier Code (GS01) is the code identifying a group of application related transaction sets.

63.4.2 ISA TABLE INFORMATION

ANSI X12 ISA and IEA definitions:

- The ISA segment is the Interchange Control Header.
Purpose: To start and identify an interchange of zero or more functional groups and interchange related control segments.
- The IEA segment is the Interchange Control Trailer.
Purpose: To define the end of an interchange of zero or more functional groups and interchange related control segments.

The Co-Provider and Qwest agree to the following routing information:

	SENT TO Qwest	RECEIVED FROM Qwest
ISA01	'00' (No Authorization information present)	'00' (No Authorization information present)
ISA02	Spaces (Authorization information)	Spaces (Authorization information)
ISA03	'00' (No Security information is present)	'00' (No Security information is present)
ISA04	Spaces (Security Information)	Spaces (Security information)
ISA05	Co-Provider TP qualifier	'ZZ' (Mutually Defined)

ISA06	Co-Provider TP ID	'QWESTO'
ISA07	'ZZ' (Mutually Defined)	Co-Provider TP qualifier
ISA08	'QWESTO'	Co-Provider TP ID
ISA09	Date of the interchange. YYMMDD	Date of the interchange. YYMMDD
ISA10	Time of the interchange. HHMM (24 Hour Clock)	Time of the interchange. HHMM (24 Hour Clock)
ISA11	'U' (U.S. EDI Community of ASC X-12, TDCC, and UCS)	'U' (U.S. EDI Community of ASC X-12, TDCC, and UCS)
ISA12	'00402' (Interchange Version ID)	'00402' (Interchange Version ID)
ISA13	Sender's translator assigned sequential control number	Sender's translator assigned sequential control number
ISA14	'0' (No acknowledgment requested)	'0' (No acknowledgment requested)
ISA15	'P' (Production data)	'P' (Production data)
ISA16	'0x1f' (Sub-element Separator)	'0x1f' (Sub-element Separator)

63.4.3 GS TABLE INFORMATION

ANSI X12 GS and GE segment definitions:

- The GS segment is the Functional Group Header.
Purpose: To indicate the beginning of a functional group and provide control information.
- The GE segment is the Functional Group Trailer.
Purpose: To indicate the end of a functional group and provide control information.

The Co-Provider and Qwest agree to the following routing information:

	SENT TO Qwest	RECEIVED FROM Qwest
GS01	SEE GS TABLE BELOW	SEE GS TABLE BELOW
GS02	Co-Provider TP ID	SEE GS TABLE BELOW
GS03	SEE GS TABLE BELOW	Co-Provider TP ID
GS04	Date of the functional group. CCYYMMDD	Date of the functional group. CCYYMMDD
GS05	Time of the functional group. HHMM (24 hour clock)	Time of the functional group. HHMM (24 hour clock)
GS06	Sender's translator assigned sequential control number	Sender's translator assigned sequential control number
GS07	'X' (Accredited Standards Committee X-12)	'X' (Accredited Standards Committee X-12)
GS08	'004020' (Version)	'004020' (Version)

GS Table

The Co-Provider and Qwest agree to the following routing information:

ORDERING FUNCTION	Qwest SEND/	DOCUMENT	GS01 VALUE	GS02 VALUE	GS03 VALUE
-------------------	-------------	----------	------------	------------	------------

	RECEIVE				
Listing Request	Receive	850FBDL	PO	<i>Co-Provider TP ID</i>	FBDL90
Directory Service Request Error Detail	Send	855DSRED	PR	DSRED90	<i>Co-Provider TP ID</i>

63.4.4 MAPPING EXAMPLE AND DATA DICTIONARY ITEMS:

Purchase Order (PO) Date

The Purchase Order (PO) Date is an ANSI ASC X12 mandatory field. The sender is expected to populate this field; however, Qwest will not map this date into the application file. For outbound transactions Qwest will populate this field with a date. This date is only used to satisfy ANSI ASC X12 standards and should not be used by the Co-Provider.

Time Code

The Developer Worksheet time code fields of every transaction, (i.e., D/T SENT) is assumed as follows:

- Transaction set(s) originating from the Co-Provider - time code should be consistent with your time zone.
- Transaction set(s) originating at Qwest - time code is Mountain Time.

4020 Exceptions

Transaction sets 850, 855, 860 and 865 are used with the following exception:

- SLN loop maximum use has been changed to >1

Delimiters

The following delimiters will be used:

- Element Separator: HEX 7C = | (vertical bar or pipe)
- Sub-Element Separator: HEX 1F = (non-printable characters of "0x1f")
- Segment Separator: HEX 0A = linefeed

Qwest Specific Fields

Order fields that are specific to the Qwest implementation were added to selected OBF forms and are indicated by an alpha following the field number, i.e., EU-19a (AHN). These fields are not defined in the OBF form for the corresponding LSOG issue.

Composite Element

The appendix noted for any Composite Unit applies to the standard and not to Qwest documentation (i.e.,

See Figures Appendix for examples of use).

Industry Standards Table:

OBF FORM	OBF ISSUE	EDI SOSC ISSUE	X12 STANDARD
Directory Listing	LSOG 5	ELMS 5	004020
Directory Service Request	LSOG 5	ELMS 5	004020

63.4.5 MAPPING EXAMPLE AND DATA DICTIONARY ITEMS:

Purchase Order (PO) Date

The Purchase Order (PO) Date is an ANSI ASC X12 mandatory field. The sender is expected to populate this field; however, Qwest will not map this date into the application file. For outbound transactions Qwest will populate this field with a date. This date is only used to satisfy ANSI ASC X12 standards and should not be used by the Co-Provider.

Time Code

The Developer Worksheet time code fields of every transaction, (i.e., D/T SENT) is assumed as follows:

- Transaction set(s) originating from the Co-Provider - time code should be consistent with your time zone.
- Transaction set(s) originating at Qwest - time code is Mountain Time.

4020 Exceptions

Transaction sets 850, 855, 860 and 865 are used with the following exception:

- SLN loop maximum use has been changed to >1

Delimiters

The following delimiters will be used:

- Element Separator: HEX 7C = | (vertical bar or pipe)
- Sub-Element Separator: HEX 1F = (non-printable characters of "0x1f")
- Segment Separator: HEX 0A = linefeed

Qwest Specific Fields

Order fields that are specific to the Qwest implementation were added to selected OBF forms and are indicated by an alpha following the field number, i.e., EU-19a (AHN). These fields are not defined in the OBF form for the corresponding LSOG issue.

Composite Element

The appendix noted for any Composite Unit applies to the standard and not to Qwest documentation (i.e., See Figures Appendix for examples of use).

Industry Standards Table:

OBF FORM	OBF ISSUE	EDI SOSC ISSUE	X12 STANDARD
Directory Listing	LSOG 5	ELMS 5	004020
Directory Service Request	LSOG 5	ELMS 5	004020

63.5 Mapping Examples / Data Model

63.5.1 850 Facility Based Directory Listings Mapping Example (850FBDL) – Version 4020

Legend of Symbols in this transaction example

SYMBOL/DEFINITION	EXAMPLE
{ } = Valid Format	{CCYYMMDD}
Bold/Italics = DWS Element	PON
Superscript = Developer's Worksheet Ref # DWS used in this mapping example: DSR = Directory Service Request DL = Directory Listings	^{DSR-1}
<i>Italics</i> = Literal	<i>GOOD</i>
<u>Underline</u> = Apply code conversion, used with Bold/Italics . Code conversion tables can be found in the data dictionary of this disclosure.	<u>ACT</u>
[] = Segment notes for this line	[SI Segment repeats ...]
() = Element notes for this line	(This element states ...)
n	Counter 1...n
* = Element separator in this example and related data dictionary.	= Actual element separator in an EDI transaction.
> = Sub-element separator in this example and related data dictionary.	non-printable characters of "0x1f" = Actual sub-element separator in an EDI transaction.

ST*850*TRAN SET CONTROL #
 BEG*00*SS*^{DSR-2}**PON****PO Date(See Trading Partner Access Information)
 REF*11*^{DSR-6}**AN***^{AN}
 REF*11*^{DSR-8}**EAN***^{EAN}
 PAM*BH*^{DL-23}**DDQTY***EA
 PAM*GZ*^{DSR-38}**DLQTY***EA
 PAM*SF*^{DSR-38a}**SQTY***EA
 DTM*097*^{DSR-13}**D/TSENT**{CCYYMMDD}*^{DSR-13}**D/TSENT**{HHMM}
 DTM*201*^{DSR-35}**LSP AUTH DATE**{CCYYMMDD}
 DTM*243*^{DSR-15}**SCD**{CCYYMMDD}
 DTM*270*^{DSR-26}**DATED**{CCYYMMDD}
 SI*TI*AA*^{DSR-20}**ACT**
 SI*TI*RE*^{DSR-19}**REQTYP**
 SI*TI*TY*^{DSR-28}**TOS**
 PID*S**TI*AO***SO-RSQ*^{DSR-25}**AGAUTH**
 N9*L1*ORI*^{DSR}
 MTX**^{DSR-66}**REMARKS**
 N1*78*^{DSR-1}**CCNA**
 N1*AN*^{DSR-27}**AUTHNM**
 N1*BY**25*^{DSR-24}**CC**
 N1*SE*^{DSR-36}**LSP AUTH NAME***41*^{DSR-34}**LSP AUTH**
 N1*VG*^{DSR}**DINIT**
 PER*AG*^{DSR-56}**DINIT***TE*^{DSR-57}**DTEL NO***FX*^{DSR-59}**DFAX NO***EM*^{DSR-58}**DEMAIL**

Directory Service Request Form (Service Address Section)

PO1*n*1*EA***ZZ*SA [PO1 Loop may repeat]
SI*TI*AD*AACT^{DSR-67}
N1*IT*SERVICE ADDRESS
N4**SAST^{DSR-85*}ZIP^{DSR-86}
NX2*01*SANO^{DSR-72}
NX2*02*SASN^{DSR-75}
NX2*03*SASD^{DSR-74}
NX2*05*BOX^{DSR-83c}
NX2*06*ROUTE^{DSR-83b}
NX2*07*CITY^{DSR-84}
NX2*39*AHN^{DSR-83a}
NX2*40*SASS^{DSR-77}
NX2*59*SAPR^{DSR-71}
NX2*61*SASF^{DSR-73}
NX2*62*SATH^{DSR-76}
NX2*LD1^{DSR-78*}LV1^{DSR-79}
NX2*LD2^{DSR-80*}LV2^{DSR-81}
NX2*LD3^{DSR-82*}LV3^{DSR-83}
REF*IX*LOCNUM^{DSR-68*}LOCNUM
SI*TI*AF*AFT^{DSR-70}

Directory Listing Form (Delivery Address / Information Section)

PO1*n*1*EA***ZZ*DA [PO1 Loop repeats DDQTY^{DL-23} times]
SI*TI*AD*DACT^{DL-81}
REF*IX*DELNUM^{DL-80*}DELNUM
REF*IX*LOCNUM^{DL-80a*}LOCNUM
QTY*31*DIRQTYA^{DL-103*}DY
QTY*38*DIRQTYNC^{DL-104*}DY
N1*DA*DELNAME
N4**STATE^{DL-99*}ZIP^{DL-100}
NX2*01*DDANO^{DL-85}
NX2*02*DDASN^{DL-88}
NX2*03*DDASD^{DL-87}
NX2*05*BOX^{DL-96c}
NX2*06*ROUTE^{DL-96b}
NX2*07*CITY^{DL-98}
NX2*39*AHN^{DL-96a}
NX2*40*DDASS^{DL-90}
NX2*59*DDAPR^{DL-84}
NX2*61*DDASF^{DL-86}
NX2*62*DDATH^{DL-89}
NX2*LD1^{DL-91*}LV1^{DL-92}
NX2*LD2^{DL-93*}LV2^{DL-94}
NX2*LD3^{DL-95*}LV3^{DL-96}

Directory Listings Form (Straight Line/Straight Line Header Listing Section)

PO1*n*1*EA***ZZ*SL*SH*RTY^{DL-12} [PO1 Loop may repeat]
SI*TI*LB*LACT^{DL-10}
SI*TI*LE*LTY^{DL-13}

SI*TI*TW***STYC**^{DL-15}
 SI*TI*BR***TOA**^{DL-16}
 SI*TI*DG***DOI**^{DL-17}
 SI*TI*DN***DIRNAME**^{DL-34}
 SI*TI*BO***BRO**^{DL-28}
 SI*TI*C5***FATN**^{DL-56c}
 SI*TI*C6***FANSTN**^{DL-56d}
 SI*TI*DU***HS**^{DL-46a}
 SI*TI*C3***HTN**^{DL-46b}
 SI*TI*C4***HNSTN**^{46c}
 PID*S**TI*AR***SO-RSQ***OMTN**^{DL-41}
 PID*S**TI*AS***SO-RSQ***LNPL**^{DL-44}
 PID*S**TI*AT***SO-RSQ***ADI**^{DL-61}
 PID*S**TI*AW***SO-RSQ***DML**^{DL-25}
 PID*S**TI*AX***SO-RSQ***NOSL**^{DL-26}
 PID*S**TI*AY***SO-RSQ***TMKT**^{DL-27}
 PID*S**TI*BA***SO-RSQ***PROF**^{DL-32}
 REF*LI***ALI**^{DL-11}
 REF*IX***LOCNUM**^{DL-19*}**LOCNUM**
 REF*IX***DLNUM**^{DL-20*}**DLNUM**
 N9*82***PLA**^{DL-55}
 MTX****PLA**^{DL-55}
 N9*82***LTXTY*****LTXTY**^{DL-57}
 MTX****LTEXT**^{DL-59}
 N9*82***FAINFO**^{DL-56b}
 MTX****FAINFO**^{DL-56b}
 N9*H7*OR1***DL**
 MTX****REMARKS**^{DL-113}
 N1*DH***LISTINGS**
 IN2*01***TITLE1**^{DL-49*}**TITLE1**
 IN2*01***TITLE1D**^{DL-52*}**TITLE1D**
 IN2*02***LNFN**^{DL-46*}**LNFN**^{DL-46}
 IN2*05***LNLN**^{DL-45}
 IN2*10***TL**^{DL-48*}**TL**
 IN2*10***TLD**^{DL-51*}**TLD**
 IN2*12***DESD**^{DL-50a*}**DESD**
 IN2*18***NICK**^{DL-54}
 IN2*21***DES**^{DL-47}
 N4****LAST**^{DL-71}
 NX2*01***LANO**^{DL-63}
 NX2*02***LASN**^{DL-66}
 NX2*03***LASD**^{DL-65}
 NX2*05***BOX**^{DL-69f}
 NX2*06***ROUTE**^{DL-69e}
 NX2*07***LALOC**^{DL-70}
 NX2*12***BLDG**^{DL-69c}
 NX2*32***FLOOR**^{DL-69a}
 NX2*35***ROOM/MAIL STOP**^{DL-69b}
 NX2*39***AHN**^{DL-69d}
 NX2*40***LASS**^{DL-68}
 NX2*59***LAPR**^{DL-62}
 NX2*61***LASF**^{DL-64}
 NX2*62***LATH**^{DL-67}
 SI*TI*TN***LTN**^{DL-39}
 SI*TI*NS***NSTN**^{DL-40}

Directory Listings Form (Straight Line Indent (SLU) Listing Section)

PO1*n*1*EA***ZZ*SI*SH*RTY^{DL-12*}LS*SO^{DL-56a} [PO1 Loop may repeat]
 SI*TI*LB*LACT^{DL-10}
 SI*TI*LE*LTY^{DL-13}
 SI*TI*TW*STYC^{DL-15}
 SI*TI*BR*TOA^{DL-16}
 SI*TI*DG*DOI^{DL-17}
 SI*TI*DN*DIRNAME^{DL-34}
 SI*TI*BO*BRO^{DL-28}
 SI*TI*C5*FATN^{DL-56c}
 SI*TI*C6*FANSTN^{DL-56d}
 SI*TI*DU*HS^{DL-46a}
 SI*TI*C3*HTN^{DL-46b}
 SI*TI*C4*HNSTN^{46c}
 PID*S**TI*AR***SO-RSQ*OMTN^{DL-41}
 PID*S**TI*AS***SO-RSQ*LNPL^{DL-44}
 PID*S**TI*AT***SO-RSQ*ADI^{DL-61}
 PID*S**TI*AW***SO-RSQ*DML^{DL-25}
 PID*S**TI*AX***SO-RSQ*NOSL^{DL-26}
 PID*S**TI*AY***SO-RSQ*TMKT^{DL-27}
 PID*S**TI*BA***SO-RSQ*PROF^{DL-32}
 REF*LI*ALI^{DL-11}
 REF*IX*LOCNUM^{DL-19*}LOCNUM
 REF*IX*DLNUM^{DL-20*}DLNUM
 N9*82*PLA
 MTX**PLA^{DL-55}
 N9*82*LTXTY*LTXTY^{DL-57}
 MTX**LTEXT^{DL-59}
 N9*82*FAINFO
 MTX**FAINFO^{DL-56b}
 N9*H7*ORI*DL
 MTX**REMARKS^{DL-113}
 N1*DH*LISTINGS
 IN2*01*TITLE1^{DL-49*}TITLE1
 IN2*01*TITLE1D^{DL-52*}TITLE1D
 IN2*02*LNFN^{DL-46*}LNFN^{DL-46}
 IN2*05*LNLN^{DL-45}
 IN2*10*TL^{DL-48*}TL
 IN2*10*TLD^{DL-51*}TLD
 IN2*12*DESD^{DL-50a*}DESD
 IN2*18*NICK^{DL-54}
 IN2*21*DES^{DL-47}
 N4**LAST^{DL-71}
 NX2*01*LANO^{DL-63}
 NX2*02*LASN^{DL-66}
 NX2*03*LASD^{DL-65}
 NX2*05*BOX^{DL-69f}
 NX2*06*ROUTE^{DL-69e}
 NX2*07*LALOC^{DL-70}
 NX2*12*BLDG^{DL-69c}
 NX2*32*FLOOR^{DL-69a}
 NX2*35*ROOM/MAIL STOP^{DL-69b}
 NX2*39*AHN^{DL-69d}
 NX2*40*LASS^{DL-68}
 NX2*59*LAPR^{DL-62}

NX2*61***LASF**^{DL-64}
NX2*62***LATH**^{DL-67}
SI*TI*TN***LTN**^{DL-39}
SI*TI*NS***NSTN**^{DL-40}

SLN***CAPTION***n*A*1*EA****LS***SO**^{DL-77} [SLN Loop may repeat]
SI*TI*DG***LVL**^{DL-73}
SI*TI*DU***PLS**^{DL-74}
SI*TI*C3***PLTN**^{DL-76}
SI*TI*C4***PLNSTN**^{DL-76a}
SI*TI*C5***FATN**^{DL-79}
SI*TI*C6***FANSTN**^{DL-79a}
N9*82***PLINFO**
MTX****PLINFO**^{DL-75}
N9*82***FAINFO**
MTX****FAINFO**^{DL-78}

Directory Listings Form (Caption Indent Listing Section)

PO1*n*1*EA***ZZ***C***SH***RTY**^{DL-12*}LS***SO**^{DL-56a} [PO1 Loop may repeat]
SI*TI*LB***LACT**^{DL-10}
SI*TI*LE***LTY**^{DL-13}
SI*TI*TW***STYC**^{DL-15}
SI*TI*BR***TOA**^{DL-16}
SI*TI*DG***DOI**^{DL-17}
SI*TI*DN***DIRNAME**^{DL-34}
SI*TI*BO***BRO**^{DL-28}
SI*TI*C5***FATN**^{DL-56c}
SI*TI*C6***FANSTN**^{DL-56d}
SI*TI*DU***HS**^{DL-46a}
SI*TI*C3***HTN**^{DL-46b}
SI*TI*C4***HNSTN**^{46c}
PID*S**TI*AR***SO-RSQ***OMTN**^{DL-41}
PID*S**TI*AS***SO-RSQ***LNPL**^{DL-44}
PID*S**TI*AT***SO-RSQ***ADP**^{DL-61}
PID*S**TI*AW***SO-RSQ***DML**^{DL-25}
PID*S**TI*AX***SO-RSQ***NOSL**^{DL-26}
PID*S**TI*AY***SO-RSQ***TMKT**^{DL-27}
PID*S**TI*BA***SO-RSQ***PROF**^{DL-32}
REF*LI***ALI**^{DL-11}
REF*IX***LOCNUM**^{DL-19*}LOCNUM
REF*IX***DLNUM**^{DL-20*}DLNUM
N9*82***PLA**
MTX****PLA**^{DL-55}
N9*82***LTXTY*****LTXTY**^{DL-57}
MTX****LTEXT**^{DL-59}
N9*82***FAINFO**
MTX****FAINFO**^{DL-56b}
N9*H7*ORI***DL**
MTX****REMARKS**^{DL-113}
N1*DH***LISTINGS**
IN2*01***TITLE1**^{DL-49*}TITLE1
IN2*01***TITLE1D**^{DL-52*}TITLE1D
IN2*02***LNFN**^{DL-46*}**LNFN**^{DL-46}
IN2*05***LNLN**^{DL-45}

IN2*10***TL**^{DL-48}***TL**
 IN2*10***TLD**^{DL-51}***TLD**
 IN2*12***DESD**^{DL-50a}***DESD**
 IN2*18***NICK**^{DL-54}
 IN2*21***DES**^{DL-47}
 N4****LAST**^{DL-71}
 NX2*01***LANO**^{DL-63}
 NX2*02***LASN**^{DL-66}
 NX2*03***LASD**^{DL-65}
 NX2*05***BOX**^{DL-69f}
 NX2*06***ROUTE**^{DL-69e}
 NX2*07***LALOC**^{DL-70}
 NX2*12***BLDG**^{DL-69c}
 NX2*32***FLOOR**^{DL-69a}
 NX2*35***ROOM/MAIL STOP**^{DL-69b}
 NX2*39***AHN**^{DL-69d}
 NX2*40***LASS**^{DL-68}
 NX2*59***LAPR**^{DL-62}
 NX2*61***LASF**^{DL-64}
 NX2*62***LATH**^{DL-67}
 SI*TI*TN***LTN**^{DL-39}
 SI*TI*NS***NSTN**^{DL-40}

SLN***CAPTION***n*A*1*EA****LS***SO**^{DL-77} [SLN Loop may repeat]
 SI*TI*DG***LVL**^{DL-73}
 SI*TI*DU***PLS**^{DL-74}
 SI*TI*C3***PLTN**^{DL-76}
 SI*TI*C4***PLNSTN**^{DL-76a}
 SI*TI*C5***FATN**^{DL-79}
 SI*TI*C6***FANSTN**^{DL-79a}
 N9*82***PLINFO**
 MTX****PLINFO**^{DL-75}
 N9*82***FAINFO**
 MTX****FAINFO**^{DL-78}

CTT*Number of PO1 Segments
 SE*Number of Segments*TRAN SET CONTROL #

860 – FBDL Has NO Change Request Functionality

63.6 Data Dictionary

63.6.1 850 Facility Based Directory Listings (850FBDL) - Version 4020

Functional Group ID=**PO**

Introduction:

The 850FBDL will be used by the Co-Provider to initiate a Facility Based Directory Listings order to Qwest.

This implementation guideline references the following:

1. ANSI ASC X12 Version 4020
2. LSOG 5 and Qwest assigned fields
3. TCIF/SOSC Guidelines ELMS 5

Notes:

This 850 Transaction includes the mappings for Directory Listing and Directory Service Request.

Heading:

	<u>Pos. No.</u>	<u>Seg. ID</u>	<u>Name</u>	<u>Req. Des.</u>	<u>Max.Use</u>	<u>Loop Repeat</u>	<u>Notes and Comments</u>
M	0100	ST	Transaction Set Header	M	1		
M	0200	BEG	Beginning Segment for Purchase Order	M	1		
	0500	REF	Reference Identification	O	>1		
	0950	PAM	Period Amount	O	10		
	1500	DTM	Date/Time Reference	O	10		
	1850	SI	Service Characteristic Identification	O	>1		
	1900	PID	Product/Item Description	O	200		
						LOOP ID - N9	1000
	2950	N9	Reference Identification	O	1		
	3000	MTX	Text	O	>1		
						LOOP ID - N1	200
	3100	N1	Name	O	1		
						LOOP ID - N1	200
	3100	N1	Name	O	1		
						LOOP ID - N1	200
	3100	N1	Name	O	1		
						LOOP ID - N1	200
	3100	N1	Name	O	1		
						LOOP ID - N1	200

3100	N1	Name	O	1
3600	PER	Administrative Communications Contact	O	>1

Detail:

	<u>Pos. No.</u>	<u>Seg. ID</u>	<u>Name</u>	<u>Req. Des.</u>	<u>Max.Use</u>	<u>Loop Repeat</u>	<u>Notes and Comments</u>
			LOOP ID - PO1			100000	
M	0100	PO1	Baseline Item Data - Directory Service Request Form (Service Address Section)	M	1		n1
	0180	SI	Service Characteristic Identification	O	>1		
			LOOP ID - N1			200	
	3500	N1	Name	O	1		
	3800	N4	Geographic Location	O	1		
	3850	NX2	Location ID Component	O	>1		
	3900	REF	Reference Identification	O	12		
	4050	SI	Service Characteristic Identification	O	>1		
			LOOP ID - PO1			100000	
M	0100	PO1	Baseline Item Data - Directory Listing Form (Delivery Address / Information Section)	M	1		n2
	0180	SI	Service Characteristic Identification	O	>1		
	1000	REF	Reference Identification	O	>1		
			LOOP ID - QTY			>1	
	2930	QTY	Quantity	O	1		
			LOOP ID - QTY			>1	
	2930	QTY	Quantity	O	1		
			LOOP ID - N1			200	
	3500	N1	Name	O	1		
	3800	N4	Geographic Location	O	1		
	3850	NX2	Location ID Component	O	>1		
			LOOP ID - PO1			100000	
M	0100	PO1	Baseline Item Data - Directory Listings Form (Straight Line/Straight Line Header Listing Section)	M	1		n3
	0180	SI	Service Characteristic Identification	O	>1		
			LOOP ID - PID			1000	
	0500	PID	Product/Item Description	O	1		
	1000	REF	Reference Identification	O	>1		
			LOOP ID - N9			1000	
	3300	N9	Reference Identification	O	1		
	3400	MTX	Text	O	>1		
			LOOP ID - N9			1000	
	3300	N9	Reference Identification	O	1		
	3400	MTX	Text	O	>1		
			LOOP ID - N9			1000	
	3300	N9	Reference Identification	O	1		
	3400	MTX	Text	O	>1		

			LOOP ID - N9		1000	
	3300	N9	Reference Identification	O	1	
	3400	MTX	Text	O	>1	
			LOOP ID - N1		200	
	3500	N1	Name	O	1	
	3650	IN2	Individual Name Structure Components	O	>1	
	3800	N4	Geographic Location	O	1	
	3850	NX2	Location ID Component	O	>1	
	4050	SI	Service Characteristic Identification	O	>1	
			LOOP ID - PO1		100000	
M	0100	PO1	Baseline Item Data - Directory Listings Form (Straight Line Indent (SLU) Listing Section)	M	1	n4
	0180	SI	Service Characteristic Identification	O	>1	
			LOOP ID - PID		1000	
	0500	PID	Product/Item Description	O	1	
	1000	REF	Reference Identification	O	>1	
			LOOP ID - N9		1000	
	3300	N9	Reference Identification	O	1	
	3400	MTX	Text	O	>1	
			LOOP ID - N9		1000	
	3300	N9	Reference Identification	O	1	
	3400	MTX	Text	O	>1	
			LOOP ID - N9		1000	
	3300	N9	Reference Identification	O	1	
	3400	MTX	Text	O	>1	
			LOOP ID - N9		1000	
	3300	N9	Reference Identification	O	1	
	3400	MTX	Text	O	>1	
			LOOP ID - N1		200	
	3500	N1	Name	O	1	
	3650	IN2	Individual Name Structure Components	O	>1	
	3800	N4	Geographic Location	O	1	
	3850	NX2	Location ID Component	O	>1	
	4050	SI	Service Characteristic Identification	O	>1	
			LOOP ID - SLN		>1	
	4700	SLN	Subline Item Detail	O	1	
	4800	SI	Service Characteristic Identification	O	>1	
			LOOP ID - N9		>1	
	5230	N9	Reference Identification	O	1	
	5250	MTX	Text	O	>1	
			LOOP ID - N9		>1	
	5230	N9	Reference Identification	O	1	
	5250	MTX	Text	O	>1	

			LOOP ID - PO1			10000	
M	0100	PO1	Baseline Item Data - Directory Listings Form (Caption Indent Listing Section)	M	1		n5
	0180	SI	Service Characteristic Identification	O	>1		
			LOOP ID - PID			1000	
	0500	PID	Product/Item Description	O	1		
	1000	REF	Reference Identification	O	>1		
			LOOP ID - N9			1000	
	3300	N9	Reference Identification	O	1		
	3400	MTX	Text	O	>1		
			LOOP ID - N9			1000	
	3300	N9	Reference Identification	O	1		
	3400	MTX	Text	O	>1		
			LOOP ID - N9			1000	
	3300	N9	Reference Identification	O	1		
	3400	MTX	Text	O	>1		
			LOOP ID - N9			1000	
	3300	N9	Reference Identification	O	1		
	3400	MTX	Text	O	>1		
			LOOP ID - N1			200	
	3500	N1	Name	O	1		
	3650	IN2	Individual Name Structure Components	O	>1		
	3800	N4	Geographic Location	O	1		
	3850	NX2	Location ID Component	O	>1		
	4050	SI	Service Characteristic Identification	O	>1		
			LOOP ID - SLN			>1	
	4700	SLN	Subline Item Detail	O	1		
	4800	SI	Service Characteristic Identification	O	>1		
			LOOP ID - N9			>1	
	5230	N9	Reference Identification	O	1		
	5250	MTX	Text	O	>1		
			LOOP ID - N9			>1	
	5230	N9	Reference Identification	O	1		
	5250	MTX	Text	O	>1		

Summary:

	<u>Pos. No.</u>	<u>Seg. ID</u>	<u>Name</u>	<u>Req. Des.</u>	<u>Max.Use</u>	<u>Loop Repeat</u>	<u>Notes and Comments</u>
			LOOP ID - CTT			1	
	0100	CTT	Transaction Totals	O	1		n6
M	0300	SE	Transaction Set Trailer	M	1		

Transaction Set Notes

1. PO102 is required.

2. PO102 is required.
3. PO102 is required.
4. PO102 is required.
5. PO102 is required.
6. The number of line items (CTT01) is the accumulation of the number of PO1 segments. If used, hash total (CTT02) is the sum of the value of quantities ordered (PO102) for each PO1 segment.

Segment: **ST** Transaction Set Header

Position: 0100

Loop:

Level: Heading

Usage: Mandatory

Max Use: 1

Purpose: To indicate the start of a transaction set and to assign a control number

Syntax Notes:

Semantic Notes:

- 1 The transaction set identifier (ST01) is used by the translation routines of the interchange partners to select the appropriate transaction set definition (e.g., 810 selects the Invoice Transaction Set).
- 2 The implementation convention reference (ST03) is used by the translation routines of the interchange partners to select the appropriate implementation convention to match the transaction set definition.

Comments:

Notes: ST*850*TRANS SET CONTROL #

Data Element Summary

	<u>Ref.</u> <u>Des.</u>	<u>Data</u> <u>Element</u>	<u>Name</u>		
M	ST01	143	Transaction Set Identifier Code Code uniquely identifying a Transaction Set 850 Purchase Order	M	ID 3/3
M	ST02	329	Transaction Set Control Number Identifying control number that must be unique within the transaction set functional group assigned by the originator for a transaction set	M	AN 4/9

Segment: **BEG** Beginning Segment for Purchase Order
Position: 0200
Loop:
Level: Heading
Usage: Mandatory
Max Use: 1
Purpose: To indicate the beginning of the Purchase Order Transaction Set and transmit identifying numbers and dates

Syntax Notes:
Semantic Notes: 1 BEG05 is the date assigned by the purchaser to purchase order.

Comments:
Notes: BEG*00*SS*PON (DSR-2)**PO Date(See Trading Partner Access Information)

Data Element Summary

	<u>Ref.</u>	<u>Data</u>	<u>Name</u>		
	<u>Des.</u>	<u>Element</u>			
M	BEG01	353	Transaction Set Purpose Code Code identifying purpose of transaction set 00 Original	M	ID 2/2
M	BEG02	92	Purchase Order Type Code Code specifying the type of Purchase Order SS Supply or Service Order	M	ID 2/2
M	BEG03	324	Purchase Order Number Identifying number for Purchase Order assigned by the orderer/purchaser PON (DSR-2) = Purchase Order Number	M	AN 1/22
M	BEG05	373	Date Date expressed as CCYYMMDD PO Date = Purchase Order Date(See Trading Partner Access Information)	M	DT 8/8

Segment: **REF** Reference Identification
Position: 0500
Loop:
Level: Heading
Usage: Optional
Max Use: >1
Purpose: To specify identifying information
Syntax Notes:

- 1 At least one of REF02 or REF03 is required.
- 2 If either C04003 or C04004 is present, then the other is required.
- 3 If either C04005 or C04006 is present, then the other is required.

Semantic Notes:

- 1 REF04 contains data relating to the value cited in REF02.

Comments:
Notes: REF*11*AN (DSR-6)*AN
REF*11*EAN (DSR-8)*EAN

Data Element Summary

	<u>Ref. Des.</u>	<u>Data Element</u>	<u>Name</u>		
M	<u>Attributes</u> REF01	128	Reference Identification Qualifier Code qualifying the Reference Identification 11 Account Number Number identifies a telecommunications industry account	M	ID 2/3
	REF02	127	Reference Identification Reference information as defined for a particular Transaction Set or as specified by the Reference Identification Qualifier AN (DSR-6) = Account Number EAN (DSR-8) = Existing Account Number	X	AN 1/30
	REF03	352	Description A free-form description to clarify the related data elements and their content "AN" "EAN"	X	AN 1/80

Segment: **PAM** Period Amount
Position: 0950
Loop:
Level: Heading
Usage: Optional
Max Use: 10
Purpose: To indicate a quantity, and/or amount for an identified period
Syntax Notes:

- 1 If any of PAM01 PAM02 or PAM03 is present, then all are required.
- 2 At least one of PAM02 PAM05 or PAM14 is required.
- 3 If either PAM04 or PAM05 is present, then the other is required.
- 4 If either PAM06 or PAM07 is present, then the other is required.
- 5 If PAM07 is present, then at least one of PAM08 or PAM09 is required.
- 6 If PAM07 is present, then PAM06 is required.
- 7 If PAM08 is present, then PAM07 is required.
- 8 If PAM09 is present, then PAM07 is required.
- 9 If PAM10 is present, then at least one of PAM11 or PAM12 is required.
- 10 If PAM11 is present, then PAM10 is required.
- 11 If either PAM13 or PAM14 is present, then the other is required.

Semantic Notes:

- 1 PAM10, PAM11, or PAM12 are used when two dates are required.
- 2 PAM15 indicates whether the monetary amount identified in PAM05 is a net or gross value. A "Y" indicates amount is a gross value; an "N" indicates amount is a net value.

Comments:
Notes:

PAM*BH*DDQTY (DL-23)*EA
PAM*GZ*DLQTY (DSR-38)*EA
PAM*SF*SQTY (DSR-38a)*EA

Data Element Summary

Ref.	Data	Name		
<u>Des.</u>	<u>Element</u>			
Attributes				
PAM01	673	Quantity Qualifier	X	ID 2/2
		Code specifying the type of quantity		
		BH Book Order Quantity		
		GZ Active Listings		
		SF Site		
PAM02	380	Quantity	X	R 1/15
		Numeric value of quantity		
		DDQTY (DL-23) = Number of Delivery Segments		
		DLQTY (DSR-38) = Number of Listings		
		SQTY (DSR-38a) = Service Address Quantity		
PAM03	C001	Composite Unit of Measure	X	
		To identify a composite unit of measure (See Figures Appendix for examples of use)		
M	C00101	Unit or Basis for Measurement Code	M	ID 2/2
		Code specifying the units in which a value is being expressed, or manner in which a measurement has been taken		
		EA Each		

Segment: **DTM** Date/Time Reference

Position: 1500

Loop:

Level: Heading

Usage: Optional

Max Use: 10

Purpose: To specify pertinent dates and times

- Syntax Notes:**
- 1 At least one of DTM02 DTM03 or DTM05 is required.
 - 2 If DTM04 is present, then DTM03 is required.
 - 3 If either DTM05 or DTM06 is present, then the other is required.

Semantic Notes:

Comments:

Notes:

DTM*097*D/TSENT (DSR-13){CCYYMMDD}*D/TSENT (DSR-13){HHMM}
 DTM*201*LSP AUTH DATE (DSR-35){CCYYMMDD}
 DTM*243*SCD (DSR-15){CCYYMMDD}
 DTM*270*DATED (DSR-26){CCYYMMDD}

Data Element Summary

	<u>Ref. Des.</u>	<u>Data Element</u>	<u>Name</u>		
M	DTM01	374	Date/Time Qualifier	M	ID 3/3
			Code specifying type of date or time, or both date and time		
			097 Transaction Creation		
			201 Acceptance		
			243 Actual Complete		
			The actual complete date for a task or activity		
			270 Date Filed		
	DTM02	373	Date	X	DT 8/8
			Date expressed as CCYYMMDD		
			D/TSENT (DSR-13) = Date Sent		
			LSP AUTH DATE (DSR-35) = Local Service Provider Authorization Date		
			SCD (DSR-15) = Service Completion Date		
			DATED (DSR-26) = Date of Agency Authorization		
	DTM03	337	Time	X	TM 4/8
			Time expressed in 24-hour clock time as follows: HHMM, or HHMMSS, or HHMMSSD, or HHMMSSDD, where H = hours (00-23), M = minutes (00-59), S = integer seconds (00-59) and DD = decimal seconds; decimal seconds are expressed as follows: D = tenths (0-9) and DD = hundredths (00-99)		
			D/TSENT {HHMM}(DSR-13) = Time Sent		

Segment: **SI** Service Characteristic Identification

Position: 1850

Loop:

Level: Heading

Usage: Optional

Max Use: >1

Purpose: To specify service characteristic data

Syntax Notes:

- 1 If either SI04 or SI05 is present, then the other is required.
- 2 If either SI06 or SI07 is present, then the other is required.
- 3 If either SI08 or SI09 is present, then the other is required.
- 4 If either SI10 or SI11 is present, then the other is required.
- 5 If either SI12 or SI13 is present, then the other is required.
- 6 If either SI14 or SI15 is present, then the other is required.
- 7 If either SI16 or SI17 is present, then the other is required.
- 8 If either SI18 or SI19 is present, then the other is required.
- 9 If either SI20 or SI21 is present, then the other is required.

Semantic Notes:

Comments: 1 SI01 defines the source for each of the service characteristics qualifiers.

Notes: SI*TI*AA*ACT (DSR-20)
SI*TI*RE*REQTYP (DSR-19)
SI*TI*TY*TOS (DSR-28)

Data Element Summary

	<u>Ref. Des.</u>	<u>Data Element</u>	<u>Name</u>		
	Attributes				
M	SI01	559	Agency Qualifier Code	M	ID 2/2
			Code identifying the agency assigning the code values		
			TI Telecommunications Industry		
M	SI02	1000	Service Characteristics Qualifier	M	AN 2/2
			Code from an industry code list qualifying the type of service characteristics		
			AA Account Activity		
			RE Requisition Type		
			TY Type of Service		
M	SI03	234	Product/Service ID	M	AN 1/48
			Identifying number for a product or service		
			ACT (DSR-24) = Activity		
			A= (DWS: N-New Account)		
			D= (DWS: D-Disconnect)		
			C= (DWS: C-Change)		
			T= (DWS: T-Outside Move)		
			W= (DWS : W-Conversion As Is Entire account CLEC to CLEC)		
			REQTYP (DSR-19) = Requisition Type and Status		
			TOS (DSR-28) = Type of Service		

Segment: **PID** Product/Item Description

Position: 1900

Loop:

Level: Heading

Usage: Optional

Max Use: 200

Purpose: To describe a product or process in coded or free-form format

Syntax Notes: 1 If PID04 is present, then PID03 is required.

2 At least one of PID04 or PID05 is required.

3 If PID07 is present, then PID03 is required.

4 If PID08 is present, then PID04 is required.

5 If PID09 is present, then PID05 is required.

Semantic Notes: 1 Use PID03 to indicate the organization that publishes the code list being referred to.

2 PID04 should be used for industry-specific product description codes.

3 PID08 describes the physical characteristics of the product identified in PID04. A "Y" indicates that the specified attribute applies to this item; an "N" indicates it does not apply. Any other value is indeterminate.

4 PID09 is used to identify the language being used in PID05.

Comments: 1 If PID01 equals "F", then PID05 is used. If PID01 equals "S", then PID04 is used. If PID01 equals "X", then both PID04 and PID05 are used.

2 Use PID06 when necessary to refer to the product surface or layer being described in the segment.

3 PID07 specifies the individual code list of the agency specified in PID03.

Notes: PID*S**TI*AO***SO-RSQ*AGAATH (DSR-25)

Data Element Summary

Ref.	Data			
<u>Des.</u>	<u>Element</u>	<u>Name</u>		
Attributes				
M	PID01	349	Item Description Type	M ID 1/1
			Code indicating the format of a description	
			S Structured (From Industry Code List)	
	PID03	559	Agency Qualifier Code	X ID 2/2
			Code identifying the agency assigning the code values	
			TI Telecommunications Industry	
	PID04	751	Product Description Code	X AN 1/12
			A code from an industry code list which provides specific data about a product characteristic	
			AO Agency Authorization Status	
	PID07	822	Source Subqualifier	O AN 1/15
			A reference that indicates the table or text maintained by the Source Qualifier	
			SO-RSQ Service Order - Reseller Questions List	
	PID08	1073	Yes/No Condition or Response Code	O ID 1/1
			Code indicating a Yes or No condition or response	
			AGAATH (DSR-25) = Agency Authorization Status	

Segment: **N9 Reference Identification**

Position: 2950

Loop: N9 Optional

Level: Heading

Usage: Optional

Max Use: 1

Purpose: To transmit identifying information as specified by the Reference Identification Qualifier

- Syntax Notes:**
- 1 At least one of N902 or N903 is required.
 - 2 If N906 is present, then N905 is required.
 - 3 If either C04003 or C04004 is present, then the other is required.
 - 4 If either C04005 or C04006 is present, then the other is required.

- Semantic Notes:**
- 1 N906 reflects the time zone which the time reflects.
 - 2 N907 contains data relating to the value cited in N902.

Comments:

Notes: N9*L1*ORI*DSR

Data Element Summary

	<u>Ref. Des.</u>	<u>Data Element</u>	<u>Name</u>		
M	N901	128	Reference Identification Qualifier Code qualifying the Reference Identification L1 Letters or Notes	M	ID 2/3
	N902	127	Reference Identification Reference information as defined for a particular Transaction Set or as specified by the Reference Identification Qualifier ORI Order Instructions	X	AN 1/30
	N903	369	Free-form Description Free-form descriptive text "DSR"	X	AN 1/45

Segment: **MTX** Text
Position: 3000
Loop: N9 Optional
Level: Heading
Usage: Optional
Max Use: >1
Purpose: To specify textual data
Syntax Notes:

- 1 If MTX01 is present, then MTX02 is required.
- 2 If MTX03 is present, then MTX02 is required.
- 3 If MTX05 is present, then MTX04 is required.

Semantic Notes:

- 1 MTX05 is the number of lines to advance before printing.

Comments:

- 1 If MTX04 is "AA - Advance the specific number of lines before print", then MTX05 is required.

Notes: MTX**REMARKS (DSR-66)

Data Element Summary

<u>Ref.</u>	<u>Data</u>	<u>Element</u>	<u>Name</u>		
Attributes					
MTX02	1551	Message Text		X	AN 1/4096
		To transmit large volumes of message text			
		REMARKS (DSR-66) = Remarks			

Segment: **N1** Name
Position: 3100
Loop: N1 Optional
Level: Heading
Usage: Optional
Max Use: 1
Purpose: To identify a party by type of organization, name, and code
Syntax Notes:

- 1 At least one of N102 or N103 is required.
- 2 If either N103 or N104 is present, then the other is required.

Semantic Notes:
Comments:

- 1 This segment, used alone, provides the most efficient method of providing organizational identification. To obtain this efficiency the "ID Code" (N104) must provide a key to the table maintained by the transaction processing party.
- 2 N105 and N106 further define the type of entity in N101.

Notes: N1*78*CCNA (DSR-1)

Data Element Summary

	<u>Ref. Des.</u>	<u>Data Element</u>	<u>Name</u>		
M	N101	98	Entity Identifier Code Code identifying an organizational entity, a physical location, property or an individual	M	ID 2/3
		78	Service Requester		
	N102	93	Name Free-form name	X	AN 1/60
			CCNA (DSR-1) = Customer Carrier Name Abbreviation		

Segment: **N1** Name
Position: 3100
Loop: N1 Optional
Level: Heading
Usage: Optional
Max Use: 1
Purpose: To identify a party by type of organization, name, and code
Syntax Notes:

- 1 At least one of N102 or N103 is required.
- 2 If either N103 or N104 is present, then the other is required.

Semantic Notes:
Comments:

- 1 This segment, used alone, provides the most efficient method of providing organizational identification. To obtain this efficiency the "ID Code" (N104) must provide a key to the table maintained by the transaction processing party.
- 2 N105 and N106 further define the type of entity in N101.

Notes: N1*AN*AUTHNM (DSR-27)

Data Element Summary

	<u>Ref. Des.</u>	<u>Data Element</u>	<u>Name</u>		
M	N101	98	Entity Identifier Code Code identifying an organizational entity, a physical location, property or an individual AN Authorized From A geographic location designated as an authorized pick-up or origin point for a shipment	M	ID 2/3
	N102	93	Name Free-form name AUTHNM (DSR-27) = Authorization Name	X	AN 1/60

Segment: **N1** Name
Position: 3100
Loop: N1 Optional
Level: Heading
Usage: Optional
Max Use: 1
Purpose: To identify a party by type of organization, name, and code
Syntax Notes:

- 1 At least one of N102 or N103 is required.
- 2 If either N103 or N104 is present, then the other is required.

Semantic Notes:
Comments:

- 1 This segment, used alone, provides the most efficient method of providing organizational identification. To obtain this efficiency the "ID Code" (N104) must provide a key to the table maintained by the transaction processing party.
- 2 N105 and N106 further define the type of entity in N101.

Notes: N1*BY**25*CC (DSR-24)

Data Element Summary

	<u>Ref. Des.</u>	<u>Data Element</u>	<u>Name</u>		
M	N101	98	Entity Identifier Code Code identifying an organizational entity, a physical location, property or an individual BY Buying Party (Purchaser)	M	ID 2/3
	N103	66	Identification Code Qualifier Code designating the system/method of code structure used for Identification Code (67) 25 Carrier's Customer Code	X	ID 1/2
	N104	67	Identification Code Code identifying a party or other code CC (DSR-24) = Company Code	X	AN 2/80

Segment: **N1** Name
Position: 3100
Loop: N1 Optional
Level: Heading
Usage: Optional
Max Use: 1
Purpose: To identify a party by type of organization, name, and code
Syntax Notes:

- 1 At least one of N102 or N103 is required.
- 2 If either N103 or N104 is present, then the other is required.

Semantic Notes:
Comments:

- 1 This segment, used alone, provides the most efficient method of providing organizational identification. To obtain this efficiency the "ID Code" (N104) must provide a key to the table maintained by the transaction processing party.
- 2 N105 and N106 further define the type of entity in N101.

Notes: N1*SE*LSP AUTH NAME (DSR-36)*41*LSP AUTH (DSR-34)

Data Element Summary

Ref.	Data	Element	Name		
<u>Des.</u>					
<u>Attributes</u>					
M	N101	98	Entity Identifier Code	M	ID 2/3
			Code identifying an organizational entity, a physical location, property or an individual		
			SE Selling Party		
	N102	93	Name	X	AN 1/60
			Free-form name		
			LSP AUTH NAME (DSR-36) = Local Service Provider Authorization Name		
	N103	66	Identification Code Qualifier	X	ID 1/2
			Code designating the system/method of code structure used for Identification Code (67)		
			41 Telecommunications Carrier Identification Code		
			Identifies the Interexchange carrier for the charges being billed		
	N104	67	Identification Code	X	AN 2/80
			Code identifying a party or other code		
			LSP AUTH (DSR-34) = Local Service Provider Authorization		

Segment: **N1** Name
Position: 3100
Loop: N1 Optional
Level: Heading
Usage: Optional
Max Use: 1
Purpose: To identify a party by type of organization, name, and code
Syntax Notes:

- 1 At least one of N102 or N103 is required.
- 2 If either N103 or N104 is present, then the other is required.

Semantic Notes:
Comments:

- 1 This segment, used alone, provides the most efficient method of providing organizational identification. To obtain this efficiency the "ID Code" (N104) must provide a key to the table maintained by the transaction processing party.
- 2 N105 and N106 further define the type of entity in N101.

Notes: N1*VG*DINIT

Data Element Summary

<u>Ref.</u>	<u>Des.</u>	<u>Data Element</u>	<u>Name</u>	<u>Attributes</u>
M	N101	98	Entity Identifier Code	M ID 2/3
			Code identifying an organizational entity, a physical location, property or an individual	
			VG Listing Agent	
	N102	93	Name	X AN 1/60
			Free-form name	
			"DINIT"	

Segment: **PER** Administrative Communications Contact
Position: 3600
Loop: N1 Optional
Level: Heading
Usage: Optional
Max Use: >1
Purpose: To identify a person or office to whom administrative communications should be directed

Syntax Notes:
 1 If either PER03 or PER04 is present, then the other is required.
 2 If either PER05 or PER06 is present, then the other is required.
 3 If either PER07 or PER08 is present, then the other is required.

Semantic Notes:
Comments:

Notes: PER*AG*DINIT (DSR-56)*TE*DTEL NO (DSR-57)*FX*DFAX NO (DSR-59)*EM*DEMAIL (DSR-58)

Data Element Summary

Ref.	Data		
<u>Des.</u>	<u>Element</u>	<u>Name</u>	
M	PER01	366	Contact Function Code M ID 2/2
			Code identifying the major duty or responsibility of the person or group named
		AG	Agent
	PER02	93	Name O AN 1/60
			Free-form name
			DINIT (DSR-56) = Directory Initiator Identification
	PER03	365	Communication Number Qualifier X ID 2/2
			Code identifying the type of communication number
		TE	Telephone
	PER04	364	Communication Number X AN 1/256
			Complete communications number including country or area code when applicable
			DTEL NO (DSR-57) = Directory Telephone Number
	PER05	365	Communication Number Qualifier X ID 2/2
			Code identifying the type of communication number
		FX	Facsimile
	PER06	364	Communication Number X AN 1/256
			Complete communications number including country or area code when applicable
			DFAX NO (DSR-59) = Directory Facsimile Number
	PER07	365	Communication Number Qualifier X ID 2/2
			Code identifying the type of communication number
		EM	Electronic Mail
	PER08	364	Communication Number X AN 1/256
			Complete communications number including country or area code when applicable
			DEMAIL (DSR-58) = Directory Electronic Mail Address

Segment: **PO1** **Baseline Item Data - Directory Service Request Form**
(Service Address Section)

Position: 0100
Loop: PO1 Mandatory
Level: Detail
Usage: Mandatory

Max Use: 1

Purpose: To specify basic and most frequently used line item data

- Syntax Notes:**
- 1 If PO103 is present, then PO102 is required.
 - 2 If PO105 is present, then PO104 is required.
 - 3 If either PO106 or PO107 is present, then the other is required.
 - 4 If either PO108 or PO109 is present, then the other is required.
 - 5 If either PO110 or PO111 is present, then the other is required.
 - 6 If either PO112 or PO113 is present, then the other is required.
 - 7 If either PO114 or PO115 is present, then the other is required.
 - 8 If either PO116 or PO117 is present, then the other is required.
 - 9 If either PO118 or PO119 is present, then the other is required.
 - 10 If either PO120 or PO121 is present, then the other is required.
 - 11 If either PO122 or PO123 is present, then the other is required.
 - 12 If either PO124 or PO125 is present, then the other is required.

Semantic Notes:

- Comments:**
- 1 See the Data Element Dictionary for a complete list of IDs.
 - 2 PO101 is the line item identification.
 - 3 PO106 through PO125 provide for ten different product/service IDs per each item. For example: Case, Color, Drawing No., U.P.C. No., ISBN No., Model No., or SKU.

Notes: PO1*n*1*EA***ZZ*SA [PO1 Loop may repeat]

Data Element Summary

<u>Ref.</u>	<u>Data</u>	<u>Element</u>	<u>Name</u>		
PO101	350	Assigned Identification		O	AN 1/20
			Alphanumeric characters assigned for differentiation within a transaction set "n" = nth assigned ID within PO1 Loop		
PO102	330	Quantity Ordered		X	R 1/15
			Quantity ordered 1 Always One		
PO103	355	Unit or Basis for Measurement Code		O	ID 2/2
			Code specifying the units in which a value is being expressed, or manner in which a measurement has been taken EA Each		
PO106	235	Product/Service ID Qualifier		X	ID 2/2
			Code identifying the type/source of the descriptive number used in Product/Service ID (234) ZZ Mutually Defined		
PO107	234	Product/Service ID		X	AN 1/48
			Identifying number for a product or service "SA"		

Segment: **SI** Service Characteristic Identification

Position: 0180

Loop: PO1 Mandatory

Level: Detail

Usage: Optional

Max Use: >1

Purpose: To specify service characteristic data

- Syntax Notes:**
- 1 If either SI04 or SI05 is present, then the other is required.
 - 2 If either SI06 or SI07 is present, then the other is required.
 - 3 If either SI08 or SI09 is present, then the other is required.
 - 4 If either SI10 or SI11 is present, then the other is required.
 - 5 If either SI12 or SI13 is present, then the other is required.
 - 6 If either SI14 or SI15 is present, then the other is required.
 - 7 If either SI16 or SI17 is present, then the other is required.
 - 8 If either SI18 or SI19 is present, then the other is required.
 - 9 If either SI20 or SI21 is present, then the other is required.

Semantic Notes:

Comments: 1 SI01 defines the source for each of the service characteristics qualifiers.

Notes: SI*TI*AD*AACT (DSR-67)

Data Element Summary

	<u>Ref. Des.</u>	<u>Data Element</u>	<u>Name</u>		
	<u>Attributes</u>				
M	SI01	559	Agency Qualifier Code	M	ID 2/2
			Code identifying the agency assigning the code values		
			TI Telecommunications Industry		
M	SI02	1000	Service Characteristics Qualifier	M	AN 2/2
			Code from an industry code list qualifying the type of service characteristics		
			AD Address Activity		
M	SI03	234	Product/Service ID	M	AN 1/48
			Identifying number for a product or service		
			AACT (DSR-67) = Address Activity		

Segment: **N1** Name
Position: 3500
Loop: N1 Optional
Level: Detail
Usage: Optional
Max Use: 1
Purpose: To identify a party by type of organization, name, and code
Syntax Notes:

- 1 At least one of N102 or N103 is required.
- 2 If either N103 or N104 is present, then the other is required.

Semantic Notes:
Comments:

- 1 This segment, used alone, provides the most efficient method of providing organizational identification. To obtain this efficiency the "ID Code" (N104) must provide a key to the table maintained by the transaction processing party.
- 2 N105 and N106 further define the type of entity in N101.

Notes: N1*IT*SERVICE ADDRESS

Data Element Summary

	<u>Ref. Des.</u>	<u>Data Element</u>	<u>Name</u>		
M	N101	98	Entity Identifier Code	M	ID 2/3
			Code identifying an organizational entity, a physical location, property or an individual		
			IT Installation on Site		
	N102	93	Name	X	AN 1/60
			Free-form name		
			"SERVICE ADDRESS"		

Segment: **N4 Geographic Location**

Position: 3800

Loop: N1 Optional

Level: Detail

Usage: Optional

Max Use: 1

Purpose: To specify the geographic place of the named party

- Syntax Notes:**
- 1 Only one of N402 or N407 may be present.
 - 2 If N406 is present, then N405 is required.
 - 3 If N407 is present, then N404 is required.

Semantic Notes:

- Comments:**
- 1 A combination of either N401 through N404, or N405 and N406 may be adequate to specify a location.
 - 2 N402 is required only if city name (N401) is in the U.S. or Canada.

Notes: N4**SAST (DSR-85)*ZIP (DSR-86)

Data Element Summary

<u>Ref.</u>	<u>Data</u>	<u>Element</u>	<u>Name</u>	
N402	156	State or Province Code		X ID 2/2
			Code (Standard State/Province) as defined by appropriate government agency	
			SAST (DSR-85) = Service Address State/Province	
N403	116	Postal Code		O ID 3/15
			Code defining international postal zone code excluding punctuation and blanks (zip code for United States)	
			ZIP (DSR-86) = ZIP/Postal Code	

Segment: **NX2** Location ID Component

Position: 3850

Loop: N1 Optional

Level: Detail

Usage: Optional

Max Use: >1

Purpose: To define types and values of a geographic location

Syntax Notes:

Semantic Notes:

Comments:

Notes:

NX2*01*SANO (DSR-72)
 NX2*02*SASN (DSR-75)
 NX2*03*SASD (DSR-74)
 NX2*05*BOX (DSR-83c)
 NX2*06*ROUTE (DSR-83b)
 NX2*07*CITY (DSR-84)
 NX2*39*AHN (DSR-83a)
 NX2*40*SASS (DSR-77)
 NX2*59*SAPR (DSR-71)
 NX2*61*SASF (DSR-73)
 NX2*62*SATH (DSR-76)
 NX2*LD1 (DSR-78)*LV1 (DSR-79)
 NX2*LD2 (DSR-80)*LV2 (DSR-81)
 NX2*LD3 (DSR-82)*LV3 (DSR-83)

Data Element Summary

Ref.	Data		
<u>Des.</u>	<u>Element</u>	<u>Name</u>	
M	<u>Attributes</u> NX201	1106	Address Component Qualifier M ID 2/2
			Code qualifying the type of address component
			LD1 (DSR-78) = Location Designator 1
			13=(DWS: APT)
			34=(DWS: LOT)
			35=(DWS: RM)
			36=(DWS: SLIP)
			37=(DWS: UNIT)
			14=(DWS: SUIT)
			LD2 (DSR-80) = Location Designator 2
			32=(DWS: FLR)
			LD3 (DSR-82) = Location Designator 3
			12=(DWS: BLDG)
			63=(DWS: WNG)
			30=(DWS: PIER)
		01	Street Number
		02	Street Name
		03	Prefix Direction
		05	P.O. Box Number
		06	Rural Route Number
		07	City Name
		12	Building Name

13	Apartment Number
14	Suite Number
30	Pier The pier at which a ship or boat is docked
32	Floor A particular floor or level of a building
34	Lot A particular lot or piece of land
35	Room A walled room or partitioned area of a building
36	Slip The slip or location on a pier at which a ship or boat is docked
37	Unit A unit or separate structure
39	Unstructured Property
40	Street Suffix
59	Street Number Low
61	Street Number Fraction
62	Street Name Suffix
63	Secondary Unit Identifier

M **NX202** **166** **Address Information** **M** **AN 1/55**

Address information

SANO (DSR-72) = Service Address Number
 SASN (DSR-75) = Service Address Street Name
 SASD (DSR-74) = Service Address Street Directional Prefix
 BOX (DSR-83c) = Box
 ROUTE (DSR-83b) = Route
 CITY (DSR-84) = City
 AHN (DL-83a) = Assigned House Number
 SASS (DSR-77) = Service Address Street Directional Suffix
 SAPR (DSR-71) = Service Address Number Prefix
 SASF (DSR-73) = Service Address Number Suffix
 SATH (DSR-76) = Service Address Street Type
 LV1 (DSR-79) = Location Value 1
 LV2 (DSR-81) = Location Value 2
 LV3 (DSR-83) = Location Value 3

Segment: **REF** Reference Identification

Position: 3900

Loop: N1 Optional

Level: Detail

Usage: Optional

Max Use: 12

Purpose: To specify identifying information

- Syntax Notes:**
- 1 At least one of REF02 or REF03 is required.
 - 2 If either C04003 or C04004 is present, then the other is required.
 - 3 If either C04005 or C04006 is present, then the other is required.
- Semantic Notes:**
- 1 REF04 contains data relating to the value cited in REF02.

Comments:

Notes: REF*IX*LOCNUM (DSR-68)*LOCNUM

Data Element Summary

	<u>Ref. Des.</u>	<u>Data Element</u>	<u>Name</u>		
M	REF01	128	Reference Identification Qualifier Code qualifying the Reference Identification IX Item Number	M	ID 2/3
	REF02	127	Reference Identification Reference information as defined for a particular Transaction Set or as specified by the Reference Identification Qualifier LOCNUM (DSR-68) = Location Number	X	AN 1/30
	REF03	352	Description A free-form description to clarify the related data elements and their content "LOCNUM"	X	AN 1/80

Segment: **SI** Service Characteristic Identification

Position: 4050

Loop: N1 Optional

Level: Detail

Usage: Optional

Max Use: >1

Purpose: To specify service characteristic data

- Syntax Notes:**
- 1 If either SI04 or SI05 is present, then the other is required.
 - 2 If either SI06 or SI07 is present, then the other is required.
 - 3 If either SI08 or SI09 is present, then the other is required.
 - 4 If either SI10 or SI11 is present, then the other is required.
 - 5 If either SI12 or SI13 is present, then the other is required.
 - 6 If either SI14 or SI15 is present, then the other is required.
 - 7 If either SI16 or SI17 is present, then the other is required.
 - 8 If either SI18 or SI19 is present, then the other is required.
 - 9 If either SI20 or SI21 is present, then the other is required.

Semantic Notes:

- Comments:**
- 1 SI01 defines the source for each of the service characteristics qualifiers.

Notes: SI*TI*AF*AFT (DSR-70)

Data Element Summary

	<u>Ref. Des.</u>	<u>Data Element</u>	<u>Name</u>		
	<u>Attributes</u>				
M	SI01	559	Agency Qualifier Code	M	ID 2/2
			Code identifying the agency assigning the code values		
			TI Telecommunications Industry		
M	SI02	1000	Service Characteristics Qualifier	M	AN 2/2
			Code from an industry code list qualifying the type of service characteristics		
			AF Address Format Type		
M	SI03	234	Product/Service ID	M	AN 1/48
			Identifying number for a product or service		
			AFT (DSR-70) = Address Format Type		

Segment: **PO1** **Baseline Item Data - Directory Listing Form (Delivery Address / Information Section)**

Position: 0100

Loop: PO1 Mandatory

Level: Detail

Usage: Mandatory

Max Use: 1

Purpose: To specify basic and most frequently used line item data

- Syntax Notes:**
- 1 If PO103 is present, then PO102 is required.
 - 2 If PO105 is present, then PO104 is required.
 - 3 If either PO106 or PO107 is present, then the other is required.
 - 4 If either PO108 or PO109 is present, then the other is required.
 - 5 If either PO110 or PO111 is present, then the other is required.
 - 6 If either PO112 or PO113 is present, then the other is required.
 - 7 If either PO114 or PO115 is present, then the other is required.
 - 8 If either PO116 or PO117 is present, then the other is required.
 - 9 If either PO118 or PO119 is present, then the other is required.
 - 10 If either PO120 or PO121 is present, then the other is required.
 - 11 If either PO122 or PO123 is present, then the other is required.
 - 12 If either PO124 or PO125 is present, then the other is required.

Semantic Notes:

- Comments:**
- 1 See the Data Element Dictionary for a complete list of IDs.
 - 2 PO101 is the line item identification.
 - 3 PO106 through PO125 provide for ten different product/service IDs per each item. For example: Case, Color, Drawing No., U.P.C. No., ISBN No., Model No., or SKU.

Notes: PO1*n*1*EA***ZZ*DA [PO1 Loop repeats DDQTY (DL-23) times]

Data Element Summary

<u>Ref.</u>	<u>Data</u>	<u>Element</u>	<u>Name</u>		
PO101	350	Assigned Identification		O	AN 1/20
			Alphanumeric characters assigned for differentiation within a transaction set "n" = nth assigned ID within PO1 Loop		
PO102	330	Quantity Ordered		X	R 1/15
			Quantity ordered 1 Always One		
PO103	355	Unit or Basis for Measurement Code		O	ID 2/2
			Code specifying the units in which a value is being expressed, or manner in which a measurement has been taken EA Each		
PO106	235	Product/Service ID Qualifier		X	ID 2/2
			Code identifying the type/source of the descriptive number used in Product/Service ID (234) ZZ Mutually Defined		
PO107	234	Product/Service ID		X	AN 1/48
			Identifying number for a product or service "DA"		

Segment: **SI** Service Characteristic Identification

Position: 0180

Loop: PO1 Mandatory

Level: Detail

Usage: Optional

Max Use: >1

Purpose: To specify service characteristic data

- Syntax Notes:**
- 1 If either SI04 or SI05 is present, then the other is required.
 - 2 If either SI06 or SI07 is present, then the other is required.
 - 3 If either SI08 or SI09 is present, then the other is required.
 - 4 If either SI10 or SI11 is present, then the other is required.
 - 5 If either SI12 or SI13 is present, then the other is required.
 - 6 If either SI14 or SI15 is present, then the other is required.
 - 7 If either SI16 or SI17 is present, then the other is required.
 - 8 If either SI18 or SI19 is present, then the other is required.
 - 9 If either SI20 or SI21 is present, then the other is required.

Semantic Notes:

Comments: 1 SI01 defines the source for each of the service characteristics qualifiers.

Notes: SI*TI*AD*DACT (DL-81)

Data Element Summary

	<u>Ref. Des.</u>	<u>Data Element</u>	<u>Name</u>		
	<u>Attributes</u>				
M	SI01	559	Agency Qualifier Code	M	ID 2/2
			Code identifying the agency assigning the code values		
			TI Telecommunications Industry		
M	SI02	1000	Service Characteristics Qualifier	M	AN 2/2
			Code from an industry code list qualifying the type of service characteristics		
			AD Address Activity		
M	SI03	234	Product/Service ID	M	AN 1/48
			Identifying number for a product or service		
			DACT (DL-81) = Delivery Activity		

Segment: **REF** Reference Identification

Position: 1000

Loop: PO1 Mandatory

Level: Detail

Usage: Optional

Max Use: >1

Purpose: To specify identifying information

- Syntax Notes:**
- 1 At least one of REF02 or REF03 is required.
 - 2 If either C04003 or C04004 is present, then the other is required.
 - 3 If either C04005 or C04006 is present, then the other is required.
- Semantic Notes:**
- 1 REF04 contains data relating to the value cited in REF02.

Comments:

Notes: REF*IX*DELNUM (DL-80)*DELNUM
REF*IX*LOCNUM (DL-80a)*LOCNUM

Data Element Summary

	<u>Ref. Des.</u>	<u>Data Element</u>	<u>Name</u>		
M	REF01	128	Reference Identification Qualifier Code qualifying the Reference Identification IX Item Number	M	ID 2/3
	REF02	127	Reference Identification Reference information as defined for a particular Transaction Set or as specified by the Reference Identification Qualifier DELNUM (DL-80) = Delivery Reference Number LOCNUM (DL-80a) = Location Number	X	AN 1/30
	REF03	352	Description A free-form description to clarify the related data elements and their content "DELNUM" "LOCNUM"	X	AN 1/80

Segment: **QTY** Quantity
Position: 2930
Loop: QTY Optional
Level: Detail
Usage: Optional
Max Use: 1
Purpose: To specify quantity information
Syntax Notes: 1 At least one of QTY02 or QTY04 is required.
 2 Only one of QTY02 or QTY04 may be present.
Semantic Notes: 1 QTY04 is used when the quantity is non-numeric.
Comments:
Notes: QTY*31*DIRQTYA (DL-103)*DY

Data Element Summary

	<u>Ref.</u>	<u>Data</u>	<u>Name</u>		
	<u>Des.</u>	<u>Element</u>			
M	QTY01	673	Quantity Qualifier	M	ID 2/2
			Code specifying the type of quantity		
			31 Additional Demand Quantity		
	QTY02	380	Quantity	X	R 1/15
			Numeric value of quantity		
			DIRQTYA (DL-103) = Number of Directories for Annual Delivery		
	QTY03	C001	Composite Unit of Measure	O	
			To identify a composite unit of measure (See Figures Appendix for examples of use)		
M	C00101	355	Unit or Basis for Measurement Code	M	ID 2/2
			Code specifying the units in which a value is being expressed, or manner in which a measurement has been taken		
			DY Directory Books		
			Number of directory books delivered to customer		

Segment: **QTY** Quantity
Position: 2930
Loop: QTY Optional
Level: Detail
Usage: Optional
Max Use: 1
Purpose: To specify quantity information
Syntax Notes: 1 At least one of QTY02 or QTY04 is required.
 2 Only one of QTY02 or QTY04 may be present.
Semantic Notes: 1 QTY04 is used when the quantity is non-numeric.
Comments:
Notes: QTY*38*DIRQTYNC (DL-104)*DY

Data Element Summary

	<u>Ref.</u>	<u>Data</u>	<u>Name</u>		
	<u>Des.</u>	<u>Element</u>			
M	QTY01	673	Quantity Qualifier	M	ID 2/2
			Code specifying the type of quantity 38 Original Quantity		
	QTY02	380	Quantity	X	R 1/15
			Numeric value of quantity DIRQTYNC (DL-104) = Number of Directories Delivered on New Connect		
	QTY03	C001	Composite Unit of Measure	O	
			To identify a composite unit of measure (See Figures Appendix for examples of use)		
M	C00101	355	Unit or Basis for Measurement Code	M	ID 2/2
			Code specifying the units in which a value is being expressed, or manner in which a measurement has been taken DY Directory Books Number of directory books delivered to customer		

Segment: **N1** Name
Position: 3500
Loop: N1 Optional
Level: Detail
Usage: Optional
Max Use: 1
Purpose: To identify a party by type of organization, name, and code
Syntax Notes:

- 1 At least one of N102 or N103 is required.
- 2 If either N103 or N104 is present, then the other is required.

Semantic Notes:
Comments:

- 1 This segment, used alone, provides the most efficient method of providing organizational identification. To obtain this efficiency the "ID Code" (N104) must provide a key to the table maintained by the transaction processing party.
- 2 N105 and N106 further define the type of entity in N101.

Notes: N1*DA*DELNAME

Data Element Summary

<u>Ref.</u>	<u>Des.</u>	<u>Data Element</u>	<u>Name</u>		
M	N101	98	Entity Identifier Code	M	ID 2/3
			Code identifying an organizational entity, a physical location, property or an individual		
			DA Delivery Address		
	N102	93	Name	X	AN 1/60
			Free-form name		
			"DELNAME"		

Segment: **N4 Geographic Location**

Position: 3800

Loop: N1 Optional

Level: Detail

Usage: Optional

Max Use: 1

Purpose: To specify the geographic place of the named party

- Syntax Notes:**
- 1 Only one of N402 or N407 may be present.
 - 2 If N406 is present, then N405 is required.
 - 3 If N407 is present, then N404 is required.

Semantic Notes:

- Comments:**
- 1 A combination of either N401 through N404, or N405 and N406 may be adequate to specify a location.
 - 2 N402 is required only if city name (N401) is in the U.S. or Canada.

Notes: N4**STATE (DL-99)*ZIP (DL-100)

Data Element Summary

<u>Ref.</u>	<u>Data</u>	<u>Element</u>	<u>Name</u>	
N402	156	State or Province Code		X ID 2/2
			Code (Standard State/Province) as defined by appropriate government agency	
			STATE (DL-99) = State/Province	
N403	116	Postal Code		O ID 3/15
			Code defining international postal zone code excluding punctuation and blanks (zip code for United States)	
			ZIP (DL-100) = ZIP/Postal Code	

Segment: **NX2** Location ID Component
Position: 3850
Loop: N1 Optional
Level: Detail
Usage: Optional
Max Use: >1
Purpose: To define types and values of a geographic location
Syntax Notes:
Semantic Notes:
Comments:
Notes:

NX2*01*DDANO (DL-85)
 NX2*02*DDASN (DL-88)
 NX2*03*DDASD (DL-87)
 NX2*05*BOX (DL-96c)
 NX2*06*ROUTE (DL-96b)
 NX2*07*CITY (DL-98)
 NX2*39*AHN (DL-96a)
 NX2*40*DDASS (DL-90)
 NX2*59*DDAPR (DL-84)
 NX2*61*DDASF (DL-86)
 NX2*62*DDATH (DL-89)
 NX2*LD1 (DL-91)*LV1 (DL-92)
 NX2*LD2 (DL-93)*LV2 (DL-94)
 NX2*LD3 (DL-95)*LV3 (DL-96)

Data Element Summary

Ref.	Data			
<u>Des.</u>	<u>Element</u>	<u>Name</u>		
M	<u>Attributes</u> NX201	1106	Address Component Qualifier Code qualifying the type of address component LD1 (DL-91) = Location Designator 1 13=(DWS: APT) 34=(DWS: LOT) 35=(DWS: RM) 36=(DWS: SLIP) 37=(DWS: UNIT) 14=(DWS: SUIT) LD2 (DL-93) = Location Designator 2 32=(DWS: FLR) LD3 (DL-95) = Location Designator 3 12=(DWS: BLDG) 63=(DWS: WNG) 30=(DWS: PIER) 01 Street Number 02 Street Name 03 Prefix Direction 05 P.O. Box Number 06 Rural Route Number 07 City Name 12 Building Name	M ID 2/2

13	Apartment Number
14	Suite Number
30	Pier The pier at which a ship or boat is docked
32	Floor A particular floor or level of a building
34	Lot A particular lot or piece of land
35	Room A walled room or partitioned area of a building
36	Slip The slip or location on a pier at which a ship or boat is docked
37	Unit A unit or separate structure
39	Unstructured Property
40	Street Suffix
59	Street Number Low
61	Street Number Fraction
62	Street Name Suffix
63	Secondary Unit Identifier

M **NX202** **166** **Address Information** **M** **AN 1/55**

Address information

DDANO (DL-85) = Delivery Address Number
DDASN (DL-88) = Delivery Address Street Name
DDASD (DL-87) = Delivery Address Street Directional Prefix
BOX (DL-96c) = Box number
ROUTE (DL-96b) = Rural route
CITY (DL-98) = City
AHN (DL-96a) = Assigned House Number
DDASS (DL-90) = Delivery Address Street Directional Suffix
DDAPR (DL-84) = Delivery Address Number Prefix
DDASF (DL-86) = Delivery Address Number Suffix
DDATH (DL-89) = Delivery Address Street Type
LV1 (DL-92) = Location Value 1
LV2 (DL-94) = Location Value 2
LV3 (DL-96) = Location Value 3

Segment: **PO1** **Baseline Item Data - Directory Listings Form (Straight Line/Straight Line Header Listing Section)**

Position: 0100

Loop: PO1 Mandatory

Level: Detail

Usage: Mandatory

Max Use: 1

Purpose: To specify basic and most frequently used line item data

- Syntax Notes:**
- 1 If PO103 is present, then PO102 is required.
 - 2 If PO105 is present, then PO104 is required.
 - 3 If either PO106 or PO107 is present, then the other is required.
 - 4 If either PO108 or PO109 is present, then the other is required.
 - 5 If either PO110 or PO111 is present, then the other is required.
 - 6 If either PO112 or PO113 is present, then the other is required.
 - 7 If either PO114 or PO115 is present, then the other is required.
 - 8 If either PO116 or PO117 is present, then the other is required.
 - 9 If either PO118 or PO119 is present, then the other is required.
 - 10 If either PO120 or PO121 is present, then the other is required.
 - 11 If either PO122 or PO123 is present, then the other is required.
 - 12 If either PO124 or PO125 is present, then the other is required.

Semantic Notes:

- Comments:**
- 1 See the Data Element Dictionary for a complete list of IDs.
 - 2 PO101 is the line item identification.
 - 3 PO106 through PO125 provide for ten different product/service IDs per each item. For example: Case, Color, Drawing No., U.P.C. No., ISBN No., Model No., or SKU.

Notes: PO1*n*1*EA***ZZ*SL*SH*RTY (DL-12) [PO1 Loop may repeat]

Data Element Summary

<u>Ref.</u>	<u>Data</u>	<u>Element</u>	<u>Name</u>		
PO101	350	Assigned Identification		O	AN 1/20
			Alphanumeric characters assigned for differentiation within a transaction set "n" = nth assigned ID within PO1 Loop		
PO102	330	Quantity Ordered		X	R 1/15
			Quantity ordered 1 Always One		
PO103	355	Unit or Basis for Measurement Code		O	ID 2/2
			Code specifying the units in which a value is being expressed, or manner in which a measurement has been taken EA Each		
PO106	235	Product/Service ID Qualifier		X	ID 2/2
			Code identifying the type/source of the descriptive number used in Product/Service ID (234) ZZ Mutually Defined		
PO107	234	Product/Service ID		X	AN 1/48
			Identifying number for a product or service "SL"		
PO108	235	Product/Service ID Qualifier		X	ID 2/2
			Code identifying the type/source of the descriptive number used in		

Product/Service ID (234)

SH

Service Requested

A numeric or alphanumeric code from a list of services available to the customer

PO109

234

Product/Service ID

X

AN 1/48

Identifying number for a product or service

RTY (DL-12) = Record Type

Segment: **SI** Service Characteristic Identification

Position: 0180
Loop: PO1 Mandatory
Level: Detail
Usage: Optional
Max Use: >1

Purpose: To specify service characteristic data
Syntax Notes:

- 1 If either SI04 or SI05 is present, then the other is required.
- 2 If either SI06 or SI07 is present, then the other is required.
- 3 If either SI08 or SI09 is present, then the other is required.
- 4 If either SI10 or SI11 is present, then the other is required.
- 5 If either SI12 or SI13 is present, then the other is required.
- 6 If either SI14 or SI15 is present, then the other is required.
- 7 If either SI16 or SI17 is present, then the other is required.
- 8 If either SI18 or SI19 is present, then the other is required.
- 9 If either SI20 or SI21 is present, then the other is required.

Semantic Notes:

Comments: 1 SI01 defines the source for each of the service characteristics qualifiers.

Notes:

- SI*TI*LB*LACT (DL-10)
- SI*TI*LE*LTY (DL-13)
- SI*TI*TW*STYC (DL-15)
- SI*TI*BR*TOA (DL-16)
- SI*TI*DG*DOI (DL-17)
- SI*TI*DN*DIRNAME (DL-34)
- SI*TI*BO*BRO (DL-28)
- SI*TI*C5*FATN (DL-56c)
- SI*TI*C6*FANSTN (DL-56d)
- SI*TI*DU*HS (DL-46a)
- SI*TI*C3*HTN (DL-46b)
- SI*TI*C4*HSTN (DL-46c)

Data Element Summary

	<u>Ref. Des.</u>	<u>Data Element</u>	<u>Name</u>		
M	SI01	559	Agency Qualifier Code	M	ID 2/2
			Code identifying the agency assigning the code values		
			TI Telecommunications Industry		
M	SI02	1000	Service Characteristics Qualifier	M	AN 2/2
			Code from an industry code list qualifying the type of service characteristics		
			BO Business/Residence Placement Override		
			BR Directory Listings Type of Account		
			C3 Header Telephone Number		
			C4 Header Non-Standard Telephone Number		
			C5 Sequence Telephone Number		
			C6 File After Non-Standard Telephone Number		
			DG Degree of Indent		
			DN Directory Book Name		
			DU Directory Caption Header Status		
			LB Listing Activity Indicator		

			LE	Listing Type	
			TW	Style Code	
M	SI03	234	Product/Service ID		M AN 1/48

Identifying number for a product or service

LACT (DL-10) = Listing Activity Indicator
 LTY (DL-13) = Listing Type
 STYC (DL-15) = Style Code
 TOA (DL-16) = Type of Account
 DOI (DL-17) = Degree of Indent
 DIRNAME (DL-34) = Directory Name
 BRO (DL-28) = Business/Residence Placement Override
 FATN (DL-56c) = File After Telephone Number
 FANSTN (DL-56d) = File After Non-Standard Telephone Number
 HS (DL-46a) = Header Status
 HTN (DL-46b) = Header Telephone Number
 HNSTN (DL-46c) = Header Non-Standard Telephone Number

Segment: **PID** Product/Item Description

Position: 0500

Loop: PID Optional

Level: Detail

Usage: Optional

Max Use: 1

Purpose: To describe a product or process in coded or free-form format

Syntax Notes:

- 1 If PID04 is present, then PID03 is required.
- 2 At least one of PID04 or PID05 is required.
- 3 If PID07 is present, then PID03 is required.
- 4 If PID08 is present, then PID04 is required.
- 5 If PID09 is present, then PID05 is required.

Semantic Notes:

- 1 Use PID03 to indicate the organization that publishes the code list being referred to.
- 2 PID04 should be used for industry-specific product description codes.
- 3 PID08 describes the physical characteristics of the product identified in PID04. A "Y" indicates that the specified attribute applies to this item; an "N" indicates it does not apply. Any other value is indeterminate.
- 4 PID09 is used to identify the language being used in PID05.

Comments:

- 1 If PID01 equals "F", then PID05 is used. If PID01 equals "S", then PID04 is used. If PID01 equals "X", then both PID04 and PID05 are used.
- 2 Use PID06 when necessary to refer to the product surface or layer being described in the segment.
- 3 PID07 specifies the individual code list of the agency specified in PID03.

Notes:

```
PID*S**TI*AR***SO-RSQ*OMTN (DL-41)
PID*S**TI*AS***SO-RSQ*LNPL (DL-44)
PID*S**TI*AT***SO-RSQ*ADI (DL-61)
PID*S**TI*AW***SO-RSQ*DML (DL-25)
PID*S**TI*AX***SO-RSQ*NOSL (DL-26)
PID*S**TI*AY***SO-RSQ*TMKT (DL-27)
PID*S**TI*BA***SO-RSQ*PROF (DL-32)
```

Data Element Summary

	<u>Ref. Des.</u>	<u>Data Element</u>	<u>Name</u>		
M	PID01	349	Item Description Type Code indicating the format of a description S Structured (From Industry Code List)	M	ID 1/1
	PID03	559	Agency Qualifier Code Code identifying the agency assigning the code values TI Telecommunications Industry	X	ID 2/2
	PID04	751	Product Description Code A code from an industry code list which provides specific data about a product characteristic AR Omit Telephone Number AS Listed Name Placement AT Address Indicator AW Direct Mail List	X	AN 1/12

		AX	No Solicitation Indicator	
		AY	Telemarketing	
		BA	Professional Identifier	
PID07	822	Source Subqualifier		O AN 1/15
		A reference that indicates the table or text maintained by the Source Qualifier		
		SO-RSQ	Service Order - Reseller Questions list	
PID08	1073	Yes/No Condition or Response Code		O ID 1/1
		Code indicating a Yes or No condition or response		
		OMTN (DL-41) = Omit TN Y=(DWS: O-Omit) Blank=(DWS: Blank-Do Not Omit)		
		LNPL (DL-44) = Letter Name Placement Y=(DWS: L-Letter Placement) Blank=(DWS: Blank-Default to Word Placement)		
		ADI (DL-61) = Address Indicator Y=(DWS: O-Omit in DA and directory) Blank=(DWS: Blank-Do not omit)		
		DML (DL-25) = Direct Mail List Y=(DWS: O-Omit) Blank=(DWS: Blank-Do not omit]		
		TMKT (DL-27) = Telemarketing Y=(DWS: O-Omit from Telemarketing) Blank=(DWS: Blank-Do not Omit]		
		NOSL (DL-26) = No Solicitation Indicator PROF (DL-32) = Professional Identifier		

Segment: **REF** Reference Identification

Position: 1000

Loop: PO1 Mandatory

Level: Detail

Usage: Optional

Max Use: >1

Purpose: To specify identifying information

- Syntax Notes:**
- 1 At least one of REF02 or REF03 is required.
 - 2 If either C04003 or C04004 is present, then the other is required.
 - 3 If either C04005 or C04006 is present, then the other is required.
- Semantic Notes:**
- 1 REF04 contains data relating to the value cited in REF02.

Comments:

Notes:

REF*LI*ALI (DL-11)
 REF*IX*LOCNUM (DL-19)*LOCNUM
 REF*IX*DLNUM (DL-20)*DLNUM

Data Element Summary

	<u>Ref. Des.</u>	<u>Data Element</u>	<u>Name</u>		
M	REF01	128	Reference Identification Qualifier	M	ID 2/3
			Code qualifying the Reference Identification		
			IX Item Number		
			LI Line Item Identifier (Seller's)		
	REF02	127	Reference Identification	X	AN 1/30
			Reference information as defined for a particular Transaction Set or as specified by the Reference Identification Qualifier		
			ALI (DL-11) = Alpha/Numeric Listing Identifier Code		
			LOCNUM (DL-19) = Location Number		
			DLNUM (DL-20) = Directory Listing Number		

Segment: **N9 Reference Identification**

Position: 3300

Loop: N9 Optional

Level: Detail

Usage: Optional

Max Use: 1

Purpose: To transmit identifying information as specified by the Reference Identification Qualifier

- Syntax Notes:**
- 1 At least one of N902 or N903 is required.
 - 2 If N906 is present, then N905 is required.
 - 3 If either C04003 or C04004 is present, then the other is required.
 - 4 If either C04005 or C04006 is present, then the other is required.

- Semantic Notes:**
- 1 N906 reflects the time zone which the time reflects.
 - 2 N907 contains data relating to the value cited in N902.

Comments:

Notes: N9*82*PLA

Data Element Summary

	<u>Ref. Des.</u>	<u>Data Element</u>	<u>Name</u>		
M	N901	128	Reference Identification Qualifier Code qualifying the Reference Identification 82 Data Item Description (DID) Reference Specific data elements that the government will ask a contractor to provide and are spelled out in specific requirement documents	M	ID 2/3
	N902	127	Reference Identification Reference information as defined for a particular Transaction Set or as specified by the Reference Identification Qualifier "PLA"	X	AN 1/30

Segment: **MTX** Text
Position: 3400
Loop: N9 Optional
Level: Detail
Usage: Optional
Max Use: >1
Purpose: To specify textual data
Syntax Notes:

- 1 If MTX01 is present, then MTX02 is required.
- 2 If MTX03 is present, then MTX02 is required.
- 3 If MTX05 is present, then MTX04 is required.

Semantic Notes:

- 1 MTX05 is the number of lines to advance before printing.

Comments:

- 1 If MTX04 is "AA - Advance the specific number of lines before print", then MTX05 is required.

Notes: MTX**PLA (DL-55)

Data Element Summary

<u>Ref.</u> <u>Des.</u>	<u>Data</u> <u>Element</u>	<u>Name</u>	
Attributes MTX02	1551	Message Text To transmit large volumes of message text PLA (DL-55) = Place Listing As	X AN 1/4096

Segment: **N9 Reference Identification**

Position: 3300

Loop: N9 Optional

Level: Detail

Usage: Optional

Max Use: 1

Purpose: To transmit identifying information as specified by the Reference Identification Qualifier

- Syntax Notes:**
- 1 At least one of N902 or N903 is required.
 - 2 If N906 is present, then N905 is required.
 - 3 If either C04003 or C04004 is present, then the other is required.
 - 4 If either C04005 or C04006 is present, then the other is required.

- Semantic Notes:**
- 1 N906 reflects the time zone which the time reflects.
 - 2 N907 contains data relating to the value cited in N902.

Comments:

Notes: N9*82*LTXTY*LTXTY (DL-57)

Data Element Summary

	<u>Ref. Des.</u>	<u>Data Element</u>	<u>Name</u>		
M	N901	128	Reference Identification Qualifier Code qualifying the Reference Identification 82 Data Item Description (DID) Reference Specific data elements that the government will ask a contractor to provide and are spelled out in specific requirement documents	M	ID 2/3
	N902	127	Reference Identification Reference information as defined for a particular Transaction Set or as specified by the Reference Identification Qualifier "LTXTY"	X	AN 1/30
	N903	369	Free-form Description Free-form descriptive text LTXTY (DL-57) = Listing Text Type	X	AN 1/45

Segment: **MTX** Text
Position: 3400
Loop: N9 Optional
Level: Detail
Usage: Optional
Max Use: >1
Purpose: To specify textual data
Syntax Notes:

- 1 If MTX01 is present, then MTX02 is required.
- 2 If MTX03 is present, then MTX02 is required.
- 3 If MTX05 is present, then MTX04 is required.

Semantic Notes:

- 1 MTX05 is the number of lines to advance before printing.

Comments:

- 1 If MTX04 is "AA - Advance the specific number of lines before print", then MTX05 is required.

Notes: MTX**LTEXT (DL-59)

Data Element Summary

<u>Ref.</u> <u>Des.</u>	<u>Data</u> <u>Element</u>	<u>Name</u>		
Attributes MTX02	1551	Message Text	X	AN 1/4096
		To transmit large volumes of message text		
		LTEXT (DL-59) = Line of Text		

Segment: **N9** Reference Identification

Position: 3300

Loop: N9 Optional

Level: Detail

Usage: Optional

Max Use: 1

Purpose: To transmit identifying information as specified by the Reference Identification Qualifier

- Syntax Notes:**
- 1 At least one of N902 or N903 is required.
 - 2 If N906 is present, then N905 is required.
 - 3 If either C04003 or C04004 is present, then the other is required.
 - 4 If either C04005 or C04006 is present, then the other is required.

- Semantic Notes:**
- 1 N906 reflects the time zone which the time reflects.
 - 2 N907 contains data relating to the value cited in N902.

Comments:

Notes: N9*82*FAINFO

Data Element Summary

	<u>Ref. Des.</u>	<u>Data Element</u>	<u>Name</u>		
M	N901	128	Reference Identification Qualifier Code qualifying the Reference Identification 82 Data Item Description (DID) Reference Specific data elements that the government will ask a contractor to provide and are spelled out in specific requirement documents	M	ID 2/3
	N902	127	Reference Identification Reference information as defined for a particular Transaction Set or as specified by the Reference Identification Qualifier "FAINFO"	X	AN 1/30

Segment: **MTX** Text
Position: 3400
Loop: N9 Optional
Level: Detail
Usage: Optional
Max Use: >1
Purpose: To specify textual data
Syntax Notes:

- 1 If MTX01 is present, then MTX02 is required.
- 2 If MTX03 is present, then MTX02 is required.
- 3 If MTX05 is present, then MTX04 is required.

Semantic Notes:

- 1 MTX05 is the number of lines to advance before printing.

Comments:

- 1 If MTX04 is "AA - Advance the specific number of lines before print", then MTX05 is required.

Notes: MTX**FAINFO (DL-56b)

Data Element Summary

<u>Ref.</u> <u>Des.</u>	<u>Data</u> <u>Element</u>	<u>Name</u>		
Attributes MTX02	1551	Message Text	X	AN 1/4096
		To transmit large volumes of message text		
		FAINFO (DL-56b) = File After Information		

Segment: **N9 Reference Identification**

Position: 3300

Loop: N9 Optional

Level: Detail

Usage: Optional

Max Use: 1

Purpose: To transmit identifying information as specified by the Reference Identification Qualifier

- Syntax Notes:**
- 1 At least one of N902 or N903 is required.
 - 2 If N906 is present, then N905 is required.
 - 3 If either C04003 or C04004 is present, then the other is required.
 - 4 If either C04005 or C04006 is present, then the other is required.

- Semantic Notes:**
- 1 N906 reflects the time zone which the time reflects.
 - 2 N907 contains data relating to the value cited in N902.

Comments:

Notes: N9*H7*ORI*DL

Data Element Summary

	<u>Ref. Des.</u>	<u>Data Element</u>	<u>Name</u>		
M	N901	128	Reference Identification Qualifier Code qualifying the Reference Identification H7 Standard Clause	M	ID 2/3
	N902	127	Reference Identification Reference information as defined for a particular Transaction Set or as specified by the Reference Identification Qualifier ORI Order Instructions	X	AN 1/30
	N903	369	Free-form Description Free-form descriptive text "DL"	X	AN 1/45

Segment: **MTX** Text
Position: 3400
Loop: N9 Optional
Level: Detail
Usage: Optional
Max Use: >1
Purpose: To specify textual data
Syntax Notes:

- 1 If MTX01 is present, then MTX02 is required.
- 2 If MTX03 is present, then MTX02 is required.
- 3 If MTX05 is present, then MTX04 is required.

Semantic Notes:

- 1 MTX05 is the number of lines to advance before printing.

Comments:

- 1 If MTX04 is "AA - Advance the specific number of lines before print", then MTX05 is required.

Notes: MTX**REMARKS (DL-113)

Data Element Summary

<u>Ref.</u> <u>Des.</u>	<u>Data</u> <u>Element</u>	<u>Name</u>	
Attributes MTX02	1551	Message Text To transmit large volumes of message text REMARKS (DL-113) = Remarks	X AN 1/4096

Segment: **N1** Name
Position: 3500
Loop: N1 Optional
Level: Detail
Usage: Optional
Max Use: 1
Purpose: To identify a party by type of organization, name, and code
Syntax Notes:

- 1 At least one of N102 or N103 is required.
- 2 If either N103 or N104 is present, then the other is required.

Semantic Notes:
Comments:

- 1 This segment, used alone, provides the most efficient method of providing organizational identification. To obtain this efficiency the "ID Code" (N104) must provide a key to the table maintained by the transaction processing party.
- 2 N105 and N106 further define the type of entity in N101.

Notes: N1*DH*LISTINGS

Data Element Summary

	<u>Ref. Des.</u>	<u>Data Element</u>	<u>Name</u>		
M	N101	98	Entity Identifier Code Code identifying an organizational entity, a physical location, property or an individual DH Doing Business As	M	ID 2/3
	N102	93	Name Free-form name "LISTINGS"	X	AN 1/60

Segment: IN2 Individual Name Structure Components

Position: 3650

Loop: N1 Optional

Level: Detail

Usage: Optional

Max Use: >1

Purpose: To sequence individual name components for maximum specificity

Syntax Notes:

Semantic Notes:

Comments:

Notes:

```
IN2*01*TITLE1 (DL-49)*TITLE1
IN2*01*TITLE1D (DL-52)*TITLE1D
IN2*02*LNFN (DL-46)*LNFN (DL-46)
IN2*05*LNLN (DL-45)
IN2*10*TL (DL-48)*TL
IN2*10*TLD (DL-51)*TLD
IN2*12*DESD (DL-50a)*DESD
IN2*18*NICK (DL-54)
IN2*21*DES (DL-47)
```

Data Element Summary

	<u>Ref. Des.</u>	<u>Data Element</u>	<u>Name</u>	
M	IN201	1104	Name Component Qualifier Code identifying the type of name component 01 Prefix 02 First Name 05 Last Name 10 Generation 12 Combined (Unstructured) Name 18 Preferred First Name or Nickname 21 Professional Title	M ID 2/2
M	IN202	93	Name Free-form name TITLE1 (DL-49) = Title of Address 1 TITLE1D (DL-52) = Title of Address 1 for Dual Name LNFN (DL-46) = Listed Name First LNLN (DL-45) = Listed Name Last TL (DL-48) = Title of Lineage TLD (DL-51) = Title of Lineage for Dual Name DESD (DL-50a) = Designation for Dual Name NICK (DL-54) = Nickname DES (DL-47) = Designation	M AN 1/60
	IN203	93	Name Free-form name LNFN (DL-46) = Listed Name First "TITLE1" "TITLE1D" "TL" "TLD" "DESD"	O AN 1/60

Segment: **N4 Geographic Location**

Position: 3800

Loop: N1 Optional

Level: Detail

Usage: Optional

Max Use: 1

Purpose: To specify the geographic place of the named party

- Syntax Notes:**
- 1 Only one of N402 or N407 may be present.
 - 2 If N406 is present, then N405 is required.
 - 3 If N407 is present, then N404 is required.

Semantic Notes:

- Comments:**
- 1 A combination of either N401 through N404, or N405 and N406 may be adequate to specify a location.
 - 2 N402 is required only if city name (N401) is in the U.S. or Canada.

Notes: N4**LAST (DL-71)

Data Element Summary

<u>Ref.</u>	<u>Data</u>	<u>Element</u>	<u>Name</u>	
<u>Attributes</u>				
N402	156	State or Province Code		X ID 2/2
			Code (Standard State/Province) as defined by appropriate government agency	
			LAST (DL-71) = Listed Address State/Province	

Segment: **NX2** Location ID Component

Position: 3850

Loop: N1 Optional

Level: Detail

Usage: Optional

Max Use: >1

Purpose: To define types and values of a geographic location

Syntax Notes:

Semantic Notes:

Comments:

Notes:

NX2*01*LANO (DL-63)
 NX2*02*LASN (DL-66)
 NX2*03*LASD (DL-65)
 NX2*05*BOX (DL-69f)
 NX2*06*ROUTE (DL-69e)
 NX2*07*LALOC (DL-70)
 NX2*12*BLDG (DL-69c)
 NX2*32*FLOOR (DL-69a)
 NX2*35*ROOM/MAIL STOP (DL-69b)
 NX2*39*AHN (DL-69d)
 NX2*40*LASS (DL-68)
 NX2*59*LAPR (DL-62)
 NX2*61*LASF (DL-64)
 NX2*62*LATH (DL-67)

Data Element Summary

	<u>Ref.</u>	<u>Data</u>	<u>Element</u>	<u>Name</u>	
	<u>Des.</u>				
	<u>Attributes</u>				
M	NX201	1106	Address Component Qualifier		M ID 2/2
			Code qualifying the type of address component		
			01	Street Number	
			02	Street Name	
			03	Prefix Direction	
			05	P.O. Box Number	
			06	Rural Route Number	
			07	City Name	
			12	Building Name	
			32	Floor	
				A particular floor or level of a building	
			35	Room	
				A walled room or partitioned area of a building	
			39	Unstructured Property	
			40	Street Suffix	
			59	Street Number Low	
			61	Street Number Fraction	
			62	Street Name Suffix	
M	NX202	166	Address Information		M AN 1/55
			Address information		
			LANO (DL-63) = Listed Address Number		
			LASN (DL-66) = Listed Address Street Name		

LASD (DL-65) = Listed Address Street Directional Prefix
BOX (DL-69f) = Box
ROUTE (DL-69e) = Route
LALOC (DL-70) = Listed Address Locality
BLDG (DL-69c) = Building
FLOOR (DL-69a) = Floor
ROOM/MAIL STOP (DL-69b) = Room/Mail Stop
AHN (DL-69d) = Assigned House Number
LASS (DL-68) = Listed Address Street Directional Suffix
LAPR (DL-62) = Listed Address Number Prefix
LASF (DL-64) = Listed Address Number Suffix
LATH (DL-67) = Listed Address Street Type

Segment: **SI** Service Characteristic Identification

Position: 4050

Loop: N1 Optional

Level: Detail

Usage: Optional

Max Use: >1

Purpose: To specify service characteristic data

- Syntax Notes:**
- 1 If either SI04 or SI05 is present, then the other is required.
 - 2 If either SI06 or SI07 is present, then the other is required.
 - 3 If either SI08 or SI09 is present, then the other is required.
 - 4 If either SI10 or SI11 is present, then the other is required.
 - 5 If either SI12 or SI13 is present, then the other is required.
 - 6 If either SI14 or SI15 is present, then the other is required.
 - 7 If either SI16 or SI17 is present, then the other is required.
 - 8 If either SI18 or SI19 is present, then the other is required.
 - 9 If either SI20 or SI21 is present, then the other is required.

Semantic Notes:

Comments: 1 SI01 defines the source for each of the service characteristics qualifiers.

Notes: SI*TI*TN*LTN (DL-39)
SI*TI*NS*NSTN (DL-40)

Data Element Summary

	<u>Ref.</u>	<u>Data</u>	<u>Element</u>	<u>Name</u>		
	<u>Des.</u>					
	<u>Attributes</u>					
M	SI01	559		Agency Qualifier Code	M	ID 2/2
				Code identifying the agency assigning the code values		
				TI Telecommunications Industry		
M	SI02	1000		Service Characteristics Qualifier	M	AN 2/2
				Code from an industry code list qualifying the type of service characteristics		
				NS Non-Standard Telephone Number		
				TN Telephone Number		
M	SI03	234		Product/Service ID	M	AN 1/48
				Identifying number for a product or service		
				LTN (DL-39) = Listed Telephone Number		
				NSTN (DL-40) = Non Standard Telephone Number		

Segment: **PO1** **Baseline Item Data - Directory Listings Form (Straight Line Indent (SLU) Listing Section)**

Position: 0100

Loop: PO1 Mandatory

Level: Detail

Usage: Mandatory

Max Use: 1

Purpose: To specify basic and most frequently used line item data

- Syntax Notes:**
- 1 If PO103 is present, then PO102 is required.
 - 2 If PO105 is present, then PO104 is required.
 - 3 If either PO106 or PO107 is present, then the other is required.
 - 4 If either PO108 or PO109 is present, then the other is required.
 - 5 If either PO110 or PO111 is present, then the other is required.
 - 6 If either PO112 or PO113 is present, then the other is required.
 - 7 If either PO114 or PO115 is present, then the other is required.
 - 8 If either PO116 or PO117 is present, then the other is required.
 - 9 If either PO118 or PO119 is present, then the other is required.
 - 10 If either PO120 or PO121 is present, then the other is required.
 - 11 If either PO122 or PO123 is present, then the other is required.
 - 12 If either PO124 or PO125 is present, then the other is required.

Semantic Notes:

- Comments:**
- 1 See the Data Element Dictionary for a complete list of IDs.
 - 2 PO101 is the line item identification.
 - 3 PO106 through PO125 provide for ten different product/service IDs per each item. For example: Case, Color, Drawing No., U.P.C. No., ISBN No., Model No., or SKU.

Notes: PO1*n*1*EA***ZZ*SI*SH*RTY (DL-12)*LS*SO (DL-56a) [PO1 Loop may repeat]

Data Element Summary

<u>Ref. Des.</u>	<u>Data Element</u>	<u>Name</u>		
Attributes				
PO101	350	Assigned Identification	O	AN 1/20
		Alphanumeric characters assigned for differentiation within a transaction set		
		"n" = nth assigned ID within PO1 Loop		
PO102	330	Quantity Ordered	X	R 1/15
		Quantity ordered		
		1 Always One		
PO103	355	Unit or Basis for Measurement Code	O	ID 2/2
		Code specifying the units in which a value is being expressed, or manner in which a measurement has been taken		
		EA Each		
PO106	235	Product/Service ID Qualifier	X	ID 2/2
		Code identifying the type/source of the descriptive number used in Product/Service ID (234)		
		ZZ Mutually Defined		
PO107	234	Product/Service ID	X	AN 1/48
		Identifying number for a product or service		
		"SI"		
PO108	235	Product/Service ID Qualifier	X	ID 2/2

Code identifying the type/source of the descriptive number used in Product/Service ID (234)

SH Service Requested

A numeric or alphanumeric code from a list of services available to the customer

PO109 234 Product/Service ID X AN 1/48

Identifying number for a product or service

RTY (DL-12) = Record Type

PO110 235 Product/Service ID Qualifier X ID 2/2

Code identifying the type/source of the descriptive number used in Product/Service ID (234)

LS Load Sequence

PO111 234 Product/Service ID X AN 1/48

Identifying number for a product or service

SO (DL-56a) = Sequence Override

Segment: **SI** Service Characteristic Identification

Position: 0180

Loop: PO1 Mandatory

Level: Detail

Usage: Optional

Max Use: >1

Purpose: To specify service characteristic data

Syntax Notes:

- 1 If either SI04 or SI05 is present, then the other is required.
- 2 If either SI06 or SI07 is present, then the other is required.
- 3 If either SI08 or SI09 is present, then the other is required.
- 4 If either SI10 or SI11 is present, then the other is required.
- 5 If either SI12 or SI13 is present, then the other is required.
- 6 If either SI14 or SI15 is present, then the other is required.
- 7 If either SI16 or SI17 is present, then the other is required.
- 8 If either SI18 or SI19 is present, then the other is required.
- 9 If either SI20 or SI21 is present, then the other is required.

Semantic Notes:

Comments: 1 SI01 defines the source for each of the service characteristics qualifiers.

Notes:

- SI*TI*LB*LACT (DL-10)
- SI*TI*LE*LTY (DL-13)
- SI*TI*TW*STYC (DL-15)
- SI*TI*BR*TOA (DL-16)
- SI*TI*DG*DOI (DL-17)
- SI*TI*DN*DIRNAME (DL-34)
- SI*TI*BO*BRO (DL-28)
- SI*TI*C5*FATN (DL-56c)
- SI*TI*C6*FANSTN (DL-56d)
- SI*TI*DU*HS (DL-46a)
- SI*TI*C3*HTN (DL-46b)
- SI*TI*C4*HSTN (DL-46c)

Data Element Summary

	<u>Ref. Des.</u>	<u>Data Element</u>	<u>Name</u>		
M	SI01	559	Agency Qualifier Code	M	ID 2/2
			Code identifying the agency assigning the code values		
			TI Telecommunications Industry		
M	SI02	1000	Service Characteristics Qualifier	M	AN 2/2
			Code from an industry code list qualifying the type of service characteristics		
			BO Business/Residence Placement Override		
			BR Directory Listings Type of Account		
			C3 Header Telephone Number		
			C4 Header Non-Standard Telephone Number		
			C5 Sequence Telephone Number		
			C6 File After Non-Standard Telephone Number		
			DG Degree of Indent		
			DN Directory Book Name		
			DU Directory Caption Header Status		
			LB Listing Activity Indicator		

			LE	Listing Type	
			TW	Style Code	
M	SI03	234	Product/Service ID		M AN 1/48

Identifying number for a product or service

LACT (DL-10) = Listing Activity Indicator
 LTY (DL-13) = Listing Type
 STYC (DL-15) = Style Code
 TOA (DL-16) = Type of Account
 DOI (DL-17) = Degree of Indent
 DIRNAME (DL-34) = Directory Name
 BRO (DL-28) = Business/Residence Placement Override
 FATN (DL-56c) = File After Telephone Number
 FANSTN (DL-56d) = File After Non-Standard Telephone Number
 HS (DL-46a) = Header Status
 HTN (DL-46b) = Header Telephone Number
 HNSTN (DL-46c) = Header Non-Standard Telephone Number

Segment: **PID** Product/Item Description

Position: 0500

Loop: PID Optional

Level: Detail

Usage: Optional

Max Use: 1

Purpose: To describe a product or process in coded or free-form format

Syntax Notes:

- 1 If PID04 is present, then PID03 is required.
- 2 At least one of PID04 or PID05 is required.
- 3 If PID07 is present, then PID03 is required.
- 4 If PID08 is present, then PID04 is required.
- 5 If PID09 is present, then PID05 is required.

Semantic Notes:

- 1 Use PID03 to indicate the organization that publishes the code list being referred to.
- 2 PID04 should be used for industry-specific product description codes.
- 3 PID08 describes the physical characteristics of the product identified in PID04. A "Y" indicates that the specified attribute applies to this item; an "N" indicates it does not apply. Any other value is indeterminate.
- 4 PID09 is used to identify the language being used in PID05.

Comments:

- 1 If PID01 equals "F", then PID05 is used. If PID01 equals "S", then PID04 is used. If PID01 equals "X", then both PID04 and PID05 are used.
- 2 Use PID06 when necessary to refer to the product surface or layer being described in the segment.
- 3 PID07 specifies the individual code list of the agency specified in PID03.

Notes:

PID*S**TI*AR***SO-RSQ*OMTN (DL-41)
 PID*S**TI*AS***SO-RSQ*LNPL (DL-44)
 PID*S**TI*AT***SO-RSQ*ADI (DL-61)
 PID*S**TI*AW***SO-RSQ*DML (DL-25)
 PID*S**TI*AX***SO-RSQ*NOSL (DL-26)
 PID*S**TI*AY***SO-RSQ*TMKT (DL-27)
 PID*S**TI*BA***SO-RSQ*PROF (DL-32)

Data Element Summary

	<u>Ref. Des.</u>	<u>Data Element</u>	<u>Name</u>		
M	PID01	349	Item Description Type Code indicating the format of a description S Structured (From Industry Code List)	M	ID 1/1
	PID03	559	Agency Qualifier Code Code identifying the agency assigning the code values TI Telecommunications Industry	X	ID 2/2
	PID04	751	Product Description Code A code from an industry code list which provides specific data about a product characteristic AR Omit Telephone Number AS Listed Name Placement AT Address Indicator AW Direct Mail List	X	AN 1/12

		AX	No Solicitation Indicator	
		AY	Telemarketing	
		BA	Professional Identifier	
PID07	822	Source Subqualifier		O AN 1/15
		A reference that indicates the table or text maintained by the Source Qualifier		
		SO-RSQ	Service Order - Reseller Questions list	
PID08	1073	Yes/No Condition or Response Code		O ID 1/1
		Code indicating a Yes or No condition or response		
		OMTN (DL-41) = Omit TN		
		Y=(DWS: O-Omit)		
		Blank=(DWS: Blank-Do Not Omit)		
		LNPL (DL-44) = Letter Name Placement		
		Y=(DWS: L-Letter Placement)		
		Blank= (DWS: Blank-Default to Word Placement)		
		ADI (DL-61) = Address Indicator		
		Y=(DWS: O-Omit in DA and directory)		
		Blank=(DWS: Blank-Do not omit)		
		DML (DL-25) = Direct Mail List		
		Y=(DWS: O-Omit)		
		Blank=(DWS: Blank-Do not omit]		
		TMKT (DL-27) = Telemarketing		
		Y=(DWS: O-Omit from Telemarketing)		
		Blank=(DWS: Blank-Do not Omit]		
		NOSL (DL-26) = No Solicitation Indicator		
		PROF (DL-32) = Professional Identifier		

Segment: **REF** Reference Identification

Position: 1000

Loop: PO1 Mandatory

Level: Detail

Usage: Optional

Max Use: >1

Purpose: To specify identifying information

- Syntax Notes:**
- 1 At least one of REF02 or REF03 is required.
 - 2 If either C04003 or C04004 is present, then the other is required.
 - 3 If either C04005 or C04006 is present, then the other is required.
- Semantic Notes:**
- 1 REF04 contains data relating to the value cited in REF02.

Comments:

Notes:

REF*LI*ALI (DL-11)
 REF*IX*LOCNUM (DL-19)*LOCNUM
 REF*IX*DLNUM (DL-20)*DLNUM

Data Element Summary

	<u>Ref. Des.</u>	<u>Data Element</u>	<u>Name</u>		
M	REF01	128	Reference Identification Qualifier	M	ID 2/3
			Code qualifying the Reference Identification		
			IX Item Number		
			LI Line Item Identifier (Seller's)		
	REF02	127	Reference Identification	X	AN 1/30
			Reference information as defined for a particular Transaction Set or as specified by the Reference Identification Qualifier		
			ALI (DL-11) = Alpha/Numeric Listing Identifier Code		
			LOCNUM (DL-19) = Location Number		
			DLNUM (DL-20) = Directory Listing Number		

Segment: **N9 Reference Identification**

Position: 3300

Loop: N9 Optional

Level: Detail

Usage: Optional

Max Use: 1

Purpose: To transmit identifying information as specified by the Reference Identification Qualifier

- Syntax Notes:**
- 1 At least one of N902 or N903 is required.
 - 2 If N906 is present, then N905 is required.
 - 3 If either C04003 or C04004 is present, then the other is required.
 - 4 If either C04005 or C04006 is present, then the other is required.

- Semantic Notes:**
- 1 N906 reflects the time zone which the time reflects.
 - 2 N907 contains data relating to the value cited in N902.

Comments:

Notes: N9*82*PLA

Data Element Summary

	<u>Ref. Des.</u>	<u>Data Element</u>	<u>Name</u>		
M	N901	128	Reference Identification Qualifier Code qualifying the Reference Identification 82 Data Item Description (DID) Reference Specific data elements that the government will ask a contractor to provide and are spelled out in specific requirement documents	M	ID 2/3
	N902	127	Reference Identification Reference information as defined for a particular Transaction Set or as specified by the Reference Identification Qualifier "PLA"	X	AN 1/30

Segment: **MTX** Text
Position: 3400
Loop: N9 Optional
Level: Detail
Usage: Optional
Max Use: >1
Purpose: To specify textual data
Syntax Notes:

- 1 If MTX01 is present, then MTX02 is required.
- 2 If MTX03 is present, then MTX02 is required.
- 3 If MTX05 is present, then MTX04 is required.

Semantic Notes:

- 1 MTX05 is the number of lines to advance before printing.

Comments:

- 1 If MTX04 is "AA - Advance the specific number of lines before print", then MTX05 is required.

Notes: MTX**PLA (DL-55)

Data Element Summary

<u>Ref.</u> <u>Des.</u>	<u>Data</u> <u>Element</u>	<u>Name</u>		
Attributes MTX02	1551	Message Text	X	AN 1/4096
		To transmit large volumes of message text		
		PLA (DL-55) = Place Listing As		

Segment: **N9 Reference Identification**

Position: 3300

Loop: N9 Optional

Level: Detail

Usage: Optional

Max Use: 1

Purpose: To transmit identifying information as specified by the Reference Identification Qualifier

- Syntax Notes:**
- 1 At least one of N902 or N903 is required.
 - 2 If N906 is present, then N905 is required.
 - 3 If either C04003 or C04004 is present, then the other is required.
 - 4 If either C04005 or C04006 is present, then the other is required.

- Semantic Notes:**
- 1 N906 reflects the time zone which the time reflects.
 - 2 N907 contains data relating to the value cited in N902.

Comments:

Notes: N9*82*LTXTY*LTXTY (DL-57)

Data Element Summary

	<u>Ref. Des.</u>	<u>Data Element</u>	<u>Name</u>		
M	N901	128	Reference Identification Qualifier Code qualifying the Reference Identification 82 Data Item Description (DID) Reference Specific data elements that the government will ask a contractor to provide and are spelled out in specific requirement documents	M	ID 2/3
	N902	127	Reference Identification Reference information as defined for a particular Transaction Set or as specified by the Reference Identification Qualifier "LTXTY"	X	AN 1/30
	N903	369	Free-form Description Free-form descriptive text LTXTY (DL-57) = Listing Text Type	X	AN 1/45

Segment: **MTX** Text
Position: 3400
Loop: N9 Optional
Level: Detail
Usage: Optional
Max Use: >1
Purpose: To specify textual data
Syntax Notes:

- 1 If MTX01 is present, then MTX02 is required.
- 2 If MTX03 is present, then MTX02 is required.
- 3 If MTX05 is present, then MTX04 is required.

Semantic Notes:

- 1 MTX05 is the number of lines to advance before printing.

Comments:

- 1 If MTX04 is "AA - Advance the specific number of lines before print", then MTX05 is required.

Notes: MTX**LTEXT (DL-59)

Data Element Summary

<u>Ref.</u> <u>Des.</u>	<u>Data</u> <u>Element</u>	<u>Name</u>	
<u>Attributes</u> MTX02	1551	Message Text To transmit large volumes of message text LTEXT (DL-59) = Line of Text	X AN 1/4096

Segment: **N9 Reference Identification**

Position: 3300

Loop: N9 Optional

Level: Detail

Usage: Optional

Max Use: 1

Purpose: To transmit identifying information as specified by the Reference Identification Qualifier

- Syntax Notes:**
- 1 At least one of N902 or N903 is required.
 - 2 If N906 is present, then N905 is required.
 - 3 If either C04003 or C04004 is present, then the other is required.
 - 4 If either C04005 or C04006 is present, then the other is required.

- Semantic Notes:**
- 1 N906 reflects the time zone which the time reflects.
 - 2 N907 contains data relating to the value cited in N902.

Comments:

Notes: N9*82*FAINFO

Data Element Summary

	<u>Ref. Des.</u>	<u>Data Element</u>	<u>Name</u>		
M	N901	128	Reference Identification Qualifier Code qualifying the Reference Identification 82 Data Item Description (DID) Reference Specific data elements that the government will ask a contractor to provide and are spelled out in specific requirement documents	M	ID 2/3
	N902	127	Reference Identification Reference information as defined for a particular Transaction Set or as specified by the Reference Identification Qualifier "FAINFO"	X	AN 1/30

Segment: **MTX** Text
Position: 3400
Loop: N9 Optional
Level: Detail
Usage: Optional
Max Use: >1
Purpose: To specify textual data
Syntax Notes:

- 1 If MTX01 is present, then MTX02 is required.
- 2 If MTX03 is present, then MTX02 is required.
- 3 If MTX05 is present, then MTX04 is required.

Semantic Notes:

- 1 MTX05 is the number of lines to advance before printing.

Comments:

- 1 If MTX04 is "AA - Advance the specific number of lines before print", then MTX05 is required.

Notes: MTX**FAINFO (DL-56b)

Data Element Summary

<u>Ref.</u>	<u>Data</u>	<u>Element</u>	<u>Name</u>		
Attributes					
MTX02	1551	Message Text		X	AN 1/4096
		To transmit large volumes of message text			
		FAINFO (DL-56b) = File After Information			

Segment: **N9 Reference Identification**

Position: 3300

Loop: N9 Optional

Level: Detail

Usage: Optional

Max Use: 1

Purpose: To transmit identifying information as specified by the Reference Identification Qualifier

- Syntax Notes:**
- 1 At least one of N902 or N903 is required.
 - 2 If N906 is present, then N905 is required.
 - 3 If either C04003 or C04004 is present, then the other is required.
 - 4 If either C04005 or C04006 is present, then the other is required.

- Semantic Notes:**
- 1 N906 reflects the time zone which the time reflects.
 - 2 N907 contains data relating to the value cited in N902.

Comments:

Notes: N9*H7*ORI*DL

Data Element Summary

	<u>Ref. Des.</u>	<u>Data Element</u>	<u>Name</u>		
M	N901	128	Reference Identification Qualifier Code qualifying the Reference Identification H7 Standard Clause	M	ID 2/3
	N902	127	Reference Identification Reference information as defined for a particular Transaction Set or as specified by the Reference Identification Qualifier ORI Order Instructions	X	AN 1/30
	N903	369	Free-form Description Free-form descriptive text "DL"	X	AN 1/45

Segment: **MTX** Text
Position: 3400
Loop: N9 Optional
Level: Detail
Usage: Optional
Max Use: >1
Purpose: To specify textual data
Syntax Notes:

- 1 If MTX01 is present, then MTX02 is required.
- 2 If MTX03 is present, then MTX02 is required.
- 3 If MTX05 is present, then MTX04 is required.

Semantic Notes:

- 1 MTX05 is the number of lines to advance before printing.

Comments:

- 1 If MTX04 is "AA - Advance the specific number of lines before print", then MTX05 is required.

Notes: MTX**REMARKS (DL-113)

Data Element Summary

<u>Ref.</u> <u>Des.</u>	<u>Data</u> <u>Element</u>	<u>Name</u>		
Attributes MTX02	1551	Message Text	X	AN 1/4096
		To transmit large volumes of message text		
		REMARKS (DL-113) = Remarks		

Segment: **N1** Name
Position: 3500
Loop: N1 Optional
Level: Detail
Usage: Optional
Max Use: 1
Purpose: To identify a party by type of organization, name, and code
Syntax Notes:

- 1 At least one of N102 or N103 is required.
- 2 If either N103 or N104 is present, then the other is required.

Semantic Notes:
Comments:

- 1 This segment, used alone, provides the most efficient method of providing organizational identification. To obtain this efficiency the "ID Code" (N104) must provide a key to the table maintained by the transaction processing party.
- 2 N105 and N106 further define the type of entity in N101.

Notes: N1*DH*LISTINGS

Data Element Summary

<u>Ref.</u>	<u>Des.</u>	<u>Data Element</u>	<u>Name</u>	<u>Attributes</u>
M	N101	98	Entity Identifier Code	M ID 2/3
			Code identifying an organizational entity, a physical location, property or an individual	
			DH Doing Business As	
	N102	93	Name	X AN 1/60
			Free-form name	
			"LISTINGS"	

Segment: **IN2 Individual Name Structure Components**

Position: 3650

Loop: N1 Optional

Level: Detail

Usage: Optional

Max Use: >1

Purpose: To sequence individual name components for maximum specificity

Syntax Notes:

Semantic Notes:

Comments:

Notes:

IN2*01*TITLE1 (DL-49)*TITLE1
 IN2*01*TITLE1D (DL-52)*TITLE1D
 IN2*02*LNFN (DL-46)*LNFN (DL-46)
 IN2*05*LNLN (DL-45)
 IN2*10*TL (DL-48)*TL
 IN2*10*TLD (DL-51)*TLD
 IN2*12*DESD (DL-50a)*DESD
 IN2*18*NICK (DL-54)
 IN2*21*DES (DL-47)

Data Element Summary

	<u>Ref. Des.</u>	<u>Data Element</u>	<u>Name</u>	
M	IN201	1104	Name Component Qualifier Code identifying the type of name component 01 Prefix 02 First Name 05 Last Name 10 Generation 12 Combined (Unstructured) Name 18 Preferred First Name or Nickname 21 Professional Title	M ID 2/2
M	IN202	93	Name Free-form name TITLE1 (DL-49) = Title of Address 1 TITLE1D (DL-52) = Title of Address 1 for Dual Name LNFN (DL-46) = Listed Name First LNLN (DL-45) = Listed Name Last TL (DL-48) = Title of Lineage TLD (DL-51) = Title of Lineage for Dual Name DESD (DL-50a) = Designation for Dual Name NICK (DL-54) = Nickname DES(DL-47) = Designation	M AN 1/60
	IN203	93	Name Free-form name LNFN (DL-46) = Listed Name First "TITLE1" "TITLE1D" "TL" "TLD" "DESD"	O AN 1/60

Segment: **N4 Geographic Location**

Position: 3800

Loop: N1 Optional

Level: Detail

Usage: Optional

Max Use: 1

Purpose: To specify the geographic place of the named party

Syntax Notes: 1 Only one of N402 or N407 may be present.

2 If N406 is present, then N405 is required.

3 If N407 is present, then N404 is required.

Semantic Notes:

Comments: 1 A combination of either N401 through N404, or N405 and N406 may be adequate to specify a location.

2 N402 is required only if city name (N401) is in the U.S. or Canada.

Notes: N4**LAST (DL-71)

Data Element Summary

<u>Ref.</u>	<u>Data</u>	<u>Element</u>	<u>Name</u>	
<u>Des.</u>				
<u>Attributes</u>				
N402	156	State or Province Code		X ID 2/2
		Code (Standard State/Province) as defined by appropriate government agency		
		LAST (DL-71) = Listed Address State/Province		

Segment: **NX2** Location ID Component

Position: 3850

Loop: N1 Optional

Level: Detail

Usage: Optional

Max Use: >1

Purpose: To define types and values of a geographic location

Syntax Notes:

Semantic Notes:

Comments:

Notes:

NX2*01*LANO (DL-63)
 NX2*02*LASN (DL-66)
 NX2*03*LASD (DL-65)
 NX2*05*BOX (DL-69f)
 NX2*06*ROUTE (DL-69e)
 NX2*07*LALOC (DL-70)
 NX2*12*BLDG (DL-69c)
 NX2*32*FLOOR (DL-69a)
 NX2*35*ROOM/MAIL STOP (DL-69b)
 NX2*39*AHN (DL-69d)
 NX2*40*LASS (DL-68)
 NX2*59*LAPR (DL-62)
 NX2*61*LASF (DL-64)
 NX2*62*LATH (DL-67)

Data Element Summary

	<u>Ref.</u>	<u>Data</u>	<u>Element</u>	<u>Name</u>	
		<u>Des.</u>			
		<u>Attributes</u>			
M		NX201	1106	Address Component Qualifier	M ID 2/2
				Code qualifying the type of address component	
				01 Street Number	
				02 Street Name	
				03 Prefix Direction	
				05 P.O. Box Number	
				06 Rural Route Number	
				07 City Name	
				12 Building Name	
				32 Floor	
				A particular floor or level of a building	
				35 Room	
				A walled room or partitioned area of a building	
				39 Unstructured Property	
				40 Street Suffix	
				59 Street Number Low	
				61 Street Number Fraction	
				62 Street Name Suffix	
M		NX202	166	Address Information	M AN 1/55
				Address information	
				LANO (DL-63) = Listed Address Number	
				LASN (DL-66) = Listed Address Street Name	

LASD (DL-65) = Listed Address Street Directional Prefix
BOX (DL-69f) = Box
ROUTE (DL-69e) = Route
LALOC (DL-70) = Listed Address Locality
BLDG (DL-69c) = Building
FLOOR (DL-69a) = Floor
ROOM/MAIL STOP (DL-69b) = Room/Mail Stop
AHN (DL-69d) = Assigned House Number
LASS (DL-68) = Listed Address Street Directional Suffix
LAPR (DL-62) = Listed Address Number Prefix
LASF (DL-64) = Listed Address Number Suffix
LATH (DL-67) = Listed Address Street Type

Segment: **SI** Service Characteristic Identification

Position: 4050

Loop: N1 Optional

Level: Detail

Usage: Optional

Max Use: >1

Purpose: To specify service characteristic data

- Syntax Notes:**
- 1 If either SI04 or SI05 is present, then the other is required.
 - 2 If either SI06 or SI07 is present, then the other is required.
 - 3 If either SI08 or SI09 is present, then the other is required.
 - 4 If either SI10 or SI11 is present, then the other is required.
 - 5 If either SI12 or SI13 is present, then the other is required.
 - 6 If either SI14 or SI15 is present, then the other is required.
 - 7 If either SI16 or SI17 is present, then the other is required.
 - 8 If either SI18 or SI19 is present, then the other is required.
 - 9 If either SI20 or SI21 is present, then the other is required.

Semantic Notes:

Comments: 1 SI01 defines the source for each of the service characteristics qualifiers.

Notes: SI*TI*TN*LTN (DL-39)
SI*TI*NS*NSTN (DL-40)

Data Element Summary

	<u>Ref.</u>	<u>Data</u>	<u>Element</u>	<u>Name</u>		
	<u>Des.</u>					
	<u>Attributes</u>					
M	SI01	559	Agency Qualifier Code		M	ID 2/2
			Code identifying the agency assigning the code values			
			TI Telecommunications Industry			
M	SI02	1000	Service Characteristics Qualifier		M	AN 2/2
			Code from an industry code list qualifying the type of service characteristics			
			NS Non-Standard Telephone Number			
			TN Telephone Number			
M	SI03	234	Product/Service ID		M	AN 1/48
			Identifying number for a product or service			
			LTN (DL-39) = Listed Telephone Number			
			NSTN (DL-40) = Non Standard Telephone Number			

Segment: **SLN** Subline Item Detail

Position: 4700

Loop: SLN Optional

Level: Detail

Usage: Optional

Max Use: 1

Purpose: To specify product subline detail item data

Syntax Notes:

- 1 If either SLN04 or SLN05 is present, then the other is required.
- 2 If SLN07 is present, then SLN06 is required.
- 3 If SLN08 is present, then SLN06 is required.
- 4 If either SLN09 or SLN10 is present, then the other is required.
- 5 If either SLN11 or SLN12 is present, then the other is required.
- 6 If either SLN13 or SLN14 is present, then the other is required.
- 7 If either SLN15 or SLN16 is present, then the other is required.
- 8 If either SLN17 or SLN18 is present, then the other is required.
- 9 If either SLN19 or SLN20 is present, then the other is required.
- 10 If either SLN21 or SLN22 is present, then the other is required.
- 11 If either SLN23 or SLN24 is present, then the other is required.
- 12 If either SLN25 or SLN26 is present, then the other is required.
- 13 If either SLN27 or SLN28 is present, then the other is required.

Semantic Notes:

- 1 SLN01 is the identifying number for the subline item.
- 2 SLN02 is the identifying number for the subline level. The subline level is analogous to the level code used in a bill of materials.
- 3 SLN03 is the configuration code indicating the relationship of the subline item to the baseline item.
- 4 SLN08 is a code indicating the relationship of the price or amount to the associated segment.

Comments:

- 1 See the Data Element Dictionary for a complete list of IDs.
- 2 SLN01 is related to (but not necessarily equivalent to) the baseline item number. Example: 1.1 or 1A might be used as a subline number to relate to baseline number 1.
- 3 SLN09 through SLN28 provide for ten different product/service IDs for each item. For example: Case, Color, Drawing No., U.P.C. No., ISBN No., Model No., or SKU.

Notes: SLN*CAPTION*n*A*1*EA****LS*SO (DL-77) [SLN Loop may repeat]

Data Element Summary

	<u>Ref. Des.</u>	<u>Data Element</u>	<u>Name</u>		
M	SLN01	350	Assigned Identification Alphanumeric characters assigned for differentiation within a transaction set "CAPTION"	M	AN 1/20
	SLN02	350	Assigned Identification Alphanumeric characters assigned for differentiation within a transaction set "n" = nth assigned ID within SLN loop	O	AN 1/20
M	SLN03	662	Relationship Code Code indicating the relationship between entities A Add	M	ID 1/1
	SLN04	380	Quantity Numeric value of quantity	X	R 1/15

		1	Always One		
	SLN05	C001	Composite Unit of Measure		X
			To identify a composite unit of measure (See Figures Appendix for examples of use)		
M	C00101	355	Unit or Basis for Measurement Code		M ID 2/2
			Code specifying the units in which a value is being expressed, or manner in which a measurement has been taken		
			EA Each		
	SLN09	235	Product/Service ID Qualifier		X ID 2/2
			Code identifying the type/source of the descriptive number used in Product/Service ID (234)		
			LS Load Sequence		
	SLN10	234	Product/Service ID		X AN 1/48
			Identifying number for a product or service		
			SO (DL-77) = Sequence Override		

Segment: **SI** Service Characteristic Identification

Position: 4800
Loop: SLN Optional
Level: Detail
Usage: Optional
Max Use: >1

Purpose: To specify service characteristic data
Syntax Notes:

- 1 If either SI04 or SI05 is present, then the other is required.
- 2 If either SI06 or SI07 is present, then the other is required.
- 3 If either SI08 or SI09 is present, then the other is required.
- 4 If either SI10 or SI11 is present, then the other is required.
- 5 If either SI12 or SI13 is present, then the other is required.
- 6 If either SI14 or SI15 is present, then the other is required.
- 7 If either SI16 or SI17 is present, then the other is required.
- 8 If either SI18 or SI19 is present, then the other is required.
- 9 If either SI20 or SI21 is present, then the other is required.

Semantic Notes:

Comments: 1 SI01 defines the source for each of the service characteristics qualifiers.

Notes: SI*TI*DG*LVL (DL-73)
 SI*TI*DU*PLS (DL-74)
 SI*TI*C3*PLTN (DL-76)
 SI*TI*C4*PLNSTN (DL-76a)
 SI*TI*C5*FATN (DL-79)
 SI*TI*C6*FASTN (DL-79a)

Data Element Summary

	<u>Ref. Des.</u>	<u>Data Element</u>	<u>Name</u>		
	Attributes				
M	SI01	559	Agency Qualifier Code	M	ID 2/2
			Code identifying the agency assigning the code values		
			TI Telecommunications Industry		
M	SI02	1000	Service Characteristics Qualifier	M	AN 2/2
			Code from an industry code list qualifying the type of service characteristics		
			C3 Header Telephone Number		
			C4 Header Non-Standard Telephone Number		
			C5 Sequence Telephone Number		
			C6 File After Non-Standard Telephone Number		
			DG Degree of Indent		
			DU Directory Caption Header Status		
M	SI03	234	Product/Service ID	M	AN 1/48
			Identifying number for a product or service		
			LVL (DL-73) = Level of Indent		
			PLS (DL-74) = Prior Level Status		
			PLTN (DL-76) = Prior Level Telephone Number		
			PLNSTN (DL-76a) = Prior Level Non-Standard Telephone Number		
			FATN (DL-79) = File After Telephone Number		
			FANSTN (DL-79a) = File After Non-Standard Telephone Number		

Segment: **N9** Reference Identification

Position: 5230

Loop: N9 Optional

Level: Detail

Usage: Optional

Max Use: 1

Purpose: To transmit identifying information as specified by the Reference Identification Qualifier

- Syntax Notes:**
- 1 At least one of N902 or N903 is required.
 - 2 If N906 is present, then N905 is required.
 - 3 If either C04003 or C04004 is present, then the other is required.
 - 4 If either C04005 or C04006 is present, then the other is required.

- Semantic Notes:**
- 1 N906 reflects the time zone which the time reflects.
 - 2 N907 contains data relating to the value cited in N902.

Comments:

Notes: N9*82*PLINFO

Data Element Summary

	<u>Ref. Des.</u>	<u>Data Element</u>	<u>Name</u>		
M	N901	128	Reference Identification Qualifier Code qualifying the Reference Identification 82 Data Item Description (DID) Reference Specific data elements that the government will ask a contractor to provide and are spelled out in specific requirement documents	M	ID 2/3
	N902	127	Reference Identification Reference information as defined for a particular Transaction Set or as specified by the Reference Identification Qualifier "PLINFO"	X	AN 1/30

Segment: **MTX** Text
Position: 5250
Loop: N9 Optional
Level: Detail
Usage: Optional
Max Use: >1
Purpose: To specify textual data
Syntax Notes:

- 1 If MTX01 is present, then MTX02 is required.
- 2 If MTX03 is present, then MTX02 is required.
- 3 If MTX05 is present, then MTX04 is required.

Semantic Notes:

- 1 MTX05 is the number of lines to advance before printing.

Comments:

- 1 If MTX04 is "AA - Advance the specific number of lines before print", then MTX05 is required.

Notes: MTX**PLINFO (DL-75)

Data Element Summary

<u>Ref.</u>	<u>Data</u>	<u>Element</u>	<u>Name</u>		
Attributes					
MTX02	1551	Message Text		X	AN 1/4096
		To transmit large volumes of message text			
		PLINFO (DL-75) = Prior Level Information			

Segment: **N9** Reference Identification

Position: 5230

Loop: N9 Optional

Level: Detail

Usage: Optional

Max Use: 1

Purpose: To transmit identifying information as specified by the Reference Identification Qualifier

- Syntax Notes:**
- 1 At least one of N902 or N903 is required.
 - 2 If N906 is present, then N905 is required.
 - 3 If either C04003 or C04004 is present, then the other is required.
 - 4 If either C04005 or C04006 is present, then the other is required.

- Semantic Notes:**
- 1 N906 reflects the time zone which the time reflects.
 - 2 N907 contains data relating to the value cited in N902.

Comments:

Notes: N9*82*FAINFO

Data Element Summary

	<u>Ref. Des.</u>	<u>Data Element</u>	<u>Name</u>		
M	N901	128	Reference Identification Qualifier Code qualifying the Reference Identification 82 Data Item Description (DID) Reference Specific data elements that the government will ask a contractor to provide and are spelled out in specific requirement documents	M	ID 2/3
	N902	127	Reference Identification Reference information as defined for a particular Transaction Set or as specified by the Reference Identification Qualifier "FAINFO"	X	AN 1/30

Segment: **MTX** Text
Position: 5250
Loop: N9 Optional
Level: Detail
Usage: Optional
Max Use: >1
Purpose: To specify textual data
Syntax Notes:

- 1 If MTX01 is present, then MTX02 is required.
- 2 If MTX03 is present, then MTX02 is required.
- 3 If MTX05 is present, then MTX04 is required.

Semantic Notes:

- 1 MTX05 is the number of lines to advance before printing.

Comments:

- 1 If MTX04 is "AA - Advance the specific number of lines before print", then MTX05 is required.

Notes: MTX**FAINFO (DL-78)

Data Element Summary

<u>Ref.</u>	<u>Data</u>	<u>Element</u>	<u>Name</u>		
Attributes					
MTX02	1551	Message Text		X	AN 1/4096
		To transmit large volumes of message text			
		FAINFO (DL-78) = File After Information			

Segment: **PO1** **Baseline Item Data - Directory Listings Form (Caption Indent Listing Section)**

Position: 0100
Loop: PO1 Mandatory
Level: Detail
Usage: Mandatory

Max Use: 1

Purpose: To specify basic and most frequently used line item data

- Syntax Notes:**
- 1 If PO103 is present, then PO102 is required.
 - 2 If PO105 is present, then PO104 is required.
 - 3 If either PO106 or PO107 is present, then the other is required.
 - 4 If either PO108 or PO109 is present, then the other is required.
 - 5 If either PO110 or PO111 is present, then the other is required.
 - 6 If either PO112 or PO113 is present, then the other is required.
 - 7 If either PO114 or PO115 is present, then the other is required.
 - 8 If either PO116 or PO117 is present, then the other is required.
 - 9 If either PO118 or PO119 is present, then the other is required.
 - 10 If either PO120 or PO121 is present, then the other is required.
 - 11 If either PO122 or PO123 is present, then the other is required.
 - 12 If either PO124 or PO125 is present, then the other is required.

Semantic Notes:

- Comments:**
- 1 See the Data Element Dictionary for a complete list of IDs.
 - 2 PO101 is the line item identification.
 - 3 PO106 through PO125 provide for ten different product/service IDs per each item. For example: Case, Color, Drawing No., U.P.C. No., ISBN No., Model No., or SKU.

Notes: PO1*n*1*EA***ZZ*CI*SH*RTY (DL-12)*LS*SO (DL-56a) [PO1 Loop may repeat]

Data Element Summary

<u>Ref. Des.</u>	<u>Data Element</u>	<u>Name</u>		
Attributes				
PO101	350	Assigned Identification	O	AN 1/20
		Alphanumeric characters assigned for differentiation within a transaction set		
		"n" = nth assigned ID within PO1 Loop		
PO102	330	Quantity Ordered	X	R 1/15
		Quantity ordered		
		1 Always One		
PO103	355	Unit or Basis for Measurement Code	O	ID 2/2
		Code specifying the units in which a value is being expressed, or manner in which a measurement has been taken		
		EA Each		
PO106	235	Product/Service ID Qualifier	X	ID 2/2
		Code identifying the type/source of the descriptive number used in Product/Service ID (234)		
		ZZ Mutually Defined		
PO107	234	Product/Service ID	X	AN 1/48
		Identifying number for a product or service		
		"CI"		
PO108	235	Product/Service ID Qualifier	X	ID 2/2

Code identifying the type/source of the descriptive number used in Product/Service ID (234)

SH Service Requested

A numeric or alphanumeric code from a list of services available to the customer

PO109 234 Product/Service ID X AN 1/48

Identifying number for a product or service

RTY (DL-12) = Record Type

PO110 235 Product/Service ID Qualifier X ID 2/2

Code identifying the type/source of the descriptive number used in Product/Service ID (234)

LS Load Sequence

PO111 234 Product/Service ID X AN 1/48

Identifying number for a product or service

SO (DL-56a) = Sequence Override

Segment: **SI** Service Characteristic Identification

Position: 0180

Loop: PO1 Mandatory

Level: Detail

Usage: Optional

Max Use: >1

Purpose: To specify service characteristic data

Syntax Notes:

- 1 If either SI04 or SI05 is present, then the other is required.
- 2 If either SI06 or SI07 is present, then the other is required.
- 3 If either SI08 or SI09 is present, then the other is required.
- 4 If either SI10 or SI11 is present, then the other is required.
- 5 If either SI12 or SI13 is present, then the other is required.
- 6 If either SI14 or SI15 is present, then the other is required.
- 7 If either SI16 or SI17 is present, then the other is required.
- 8 If either SI18 or SI19 is present, then the other is required.
- 9 If either SI20 or SI21 is present, then the other is required.

Semantic Notes:

Comments: 1 SI01 defines the source for each of the service characteristics qualifiers.

Notes:

- SI*TI*LB*LACT (DL-10)
- SI*TI*LE*LTY (DL-13)
- SI*TI*TW*STYC (DL-15)
- SI*TI*BR*TOA (DL-16)
- SI*TI*DG*DOI (DL-17)
- SI*TI*DN*DIRNAME (DL-34)
- SI*TI*BO*BRO (DL-28)
- SI*TI*C5*FATN (DL-56c)
- SI*TI*C6*FANSTN (DL-56d)
- SI*TI*DU*HS (DL-46a)
- SI*TI*C3*HTN (DL-46b)
- SI*TI*C4*HSTN (DL-46c)

Data Element Summary

	<u>Ref. Des.</u>	<u>Data Element</u>	<u>Name</u>		
M	SI01	559	Agency Qualifier Code	M	ID 2/2
			Code identifying the agency assigning the code values		
			TI Telecommunications Industry		
M	SI02	1000	Service Characteristics Qualifier	M	AN 2/2
			Code from an industry code list qualifying the type of service characteristics		
			BO Business/Residence Placement Override		
			BR Directory Listings Type of Account		
			C3 Header Telephone Number		
			C4 Header Non-Standard Telephone Number		
			C5 Sequence Telephone Number		
			C6 File After Non-Standard Telephone Number		
			DG Degree of Indent		
			DN Directory Book Name		
			DU Directory Caption Header Status		
			LB Listing Activity Indicator		

			LE	Listing Type	
			TW	Style Code	
M	SI03	234	Product/Service ID		M AN 1/48

Identifying number for a product or service

LACT (DL-10) = Listing Activity Indicator
 LTY (DL-13) = Listing Type
 STYC (DL-15) = Style Code
 TOA (DL-16) = Type of Account
 DOI (DL-17) = Degree of Indent
 DIRNAME (DL-34) = Directory Name
 BRO (DL-28) = Business/Residence Placement Override
 FATN (DL-56c) = File After Telephone Number
 FANSTN (DL-56d) = File After Non-Standard Telephone Number
 HS (DL-46a) = Header Status
 HTN (DL-46b) = Header Telephone Number
 HNSTN (DL-46c) = Header Non-Standard Telephone Number

Segment: **PID** Product/Item Description

Position: 0500

Loop: PID Optional

Level: Detail

Usage: Optional

Max Use: 1

Purpose: To describe a product or process in coded or free-form format

Syntax Notes:

- 1 If PID04 is present, then PID03 is required.
- 2 At least one of PID04 or PID05 is required.
- 3 If PID07 is present, then PID03 is required.
- 4 If PID08 is present, then PID04 is required.
- 5 If PID09 is present, then PID05 is required.

Semantic Notes:

- 1 Use PID03 to indicate the organization that publishes the code list being referred to.
- 2 PID04 should be used for industry-specific product description codes.
- 3 PID08 describes the physical characteristics of the product identified in PID04. A "Y" indicates that the specified attribute applies to this item; an "N" indicates it does not apply. Any other value is indeterminate.
- 4 PID09 is used to identify the language being used in PID05.

Comments:

- 1 If PID01 equals "F", then PID05 is used. If PID01 equals "S", then PID04 is used. If PID01 equals "X", then both PID04 and PID05 are used.
- 2 Use PID06 when necessary to refer to the product surface or layer being described in the segment.
- 3 PID07 specifies the individual code list of the agency specified in PID03.

Notes:

```
PID*S**TI*AR***SO-RSQ*OMTN (DL-41)
PID*S**TI*AS***SO-RSQ*LNPL (DL-44)
PID*S**TI*AT***SO-RSQ*ADI (DL-61)
PID*S**TI*AW***SO-RSQ*DML (DL-25)
PID*S**TI*AX***SO-RSQ*NOSL (DL-26)
PID*S**TI*AY***SO-RSQ*TMKT (DL-27)
PID*S**TI*BA***SO-RSQ*PROF (DL-32)
```

Data Element Summary

	<u>Ref. Des.</u>	<u>Data Element</u>	<u>Name</u>		
M	PID01	349	Item Description Type Code indicating the format of a description S Structured (From Industry Code List)	M	ID 1/1
	PID03	559	Agency Qualifier Code Code identifying the agency assigning the code values TI Telecommunications Industry	X	ID 2/2
	PID04	751	Product Description Code A code from an industry code list which provides specific data about a product characteristic AR Omit Telephone Number AS Listed Name Placement AT Address Indicator AW Direct Mail List	X	AN 1/12

		AX	No Solicitation Indicator	
		AY	Telemarketing	
		BA	Professional Identifier	
PID07	822	Source Subqualifier		O AN 1/15
		A reference that indicates the table or text maintained by the Source Qualifier		
		SO-RSQ	Service Order - Reseller Questions list	
PID08	1073	Yes/No Condition or Response Code		O ID 1/1
		Code indicating a Yes or No condition or response		
		OMTN (DL-41) = Omit TN		
		Y=(DWS: O-Omit)		
		Blank=(DWS: Blank-Do Not Omit)		
		LNPL (DL-44) = Letter Name Placement		
		Y=(DWS: L-Letter Placement)		
		Blank= (DWS: Blank-Default to Word Placement)		
		ADI (DL-61) = Address Indicator		
		Y=(DWS: O-Omit in DA and directory)		
		Blank=(DWS: Blank-Do not omit)		
		DML (DL-25) = Direct Mail List		
		Y=(DWS: O-Omit)		
		Blank=(DWS: Blank-Do not omit]		
		TMKT (DL-27) = Telemarketing		
		Y=(DWS: O-Omit from Telemarketing)		
		Blank=(DWS: Blank-Do not Omit]		
		NOSL (DL-26) = No Solicitation Indicator		
		PROF (DL-32) = Professional Identifier		

Segment: **REF** Reference Identification

Position: 1000

Loop: PO1 Mandatory

Level: Detail

Usage: Optional

Max Use: >1

Purpose: To specify identifying information

- Syntax Notes:**
- 1 At least one of REF02 or REF03 is required.
 - 2 If either C04003 or C04004 is present, then the other is required.
 - 3 If either C04005 or C04006 is present, then the other is required.
- Semantic Notes:**
- 1 REF04 contains data relating to the value cited in REF02.

Comments:

Notes:

REF*LI*ALI (DL-11)
 REF*IX*LOCNUM (DL-19)*LOCNUM
 REF*IX*DLNUM (DL-20)*DLNUM

Data Element Summary

	<u>Ref. Des.</u>	<u>Data Element</u>	<u>Name</u>		
M	REF01	128	Reference Identification Qualifier	M	ID 2/3
			Code qualifying the Reference Identification		
			IX Item Number		
			LI Line Item Identifier (Seller's)		
	REF02	127	Reference Identification	X	AN 1/30
			Reference information as defined for a particular Transaction Set or as specified by the Reference Identification Qualifier		
			ALI (DL-11) = Alpha/Numeric Listing Identifier Code		
			LOCNUM (DL-19) = Location Number		
			DLNUM (DL-20) = Directory Listing Number		

Segment: **N9 Reference Identification**

Position: 3300

Loop: N9 Optional

Level: Detail

Usage: Optional

Max Use: 1

Purpose: To transmit identifying information as specified by the Reference Identification Qualifier

- Syntax Notes:**
- 1 At least one of N902 or N903 is required.
 - 2 If N906 is present, then N905 is required.
 - 3 If either C04003 or C04004 is present, then the other is required.
 - 4 If either C04005 or C04006 is present, then the other is required.

- Semantic Notes:**
- 1 N906 reflects the time zone which the time reflects.
 - 2 N907 contains data relating to the value cited in N902.

Comments:

Notes: N9*82*PLA

Data Element Summary

	<u>Ref. Des.</u>	<u>Data Element</u>	<u>Name</u>		
M	N901	128	Reference Identification Qualifier Code qualifying the Reference Identification 82 Data Item Description (DID) Reference Specific data elements that the government will ask a contractor to provide and are spelled out in specific requirement documents	M	ID 2/3
	N902	127	Reference Identification Reference information as defined for a particular Transaction Set or as specified by the Reference Identification Qualifier "PLA"	X	AN 1/30

Segment: **MTX** Text
Position: 3400
Loop: N9 Optional
Level: Detail
Usage: Optional
Max Use: >1
Purpose: To specify textual data
Syntax Notes:

- 1 If MTX01 is present, then MTX02 is required.
- 2 If MTX03 is present, then MTX02 is required.
- 3 If MTX05 is present, then MTX04 is required.

Semantic Notes:

- 1 MTX05 is the number of lines to advance before printing.

Comments:

- 1 If MTX04 is "AA - Advance the specific number of lines before print", then MTX05 is required.

Notes: MTX**PLA (DL-55)

Data Element Summary

<u>Ref.</u> <u>Des.</u>	<u>Data</u> <u>Element</u>	<u>Name</u>		
Attributes MTX02	1551	Message Text	X	AN 1/4096
		To transmit large volumes of message text		
		PLA (DL-55) = Place Listing As		

Segment: **N9 Reference Identification**

Position: 3300

Loop: N9 Optional

Level: Detail

Usage: Optional

Max Use: 1

Purpose: To transmit identifying information as specified by the Reference Identification Qualifier

- Syntax Notes:**
- 1 At least one of N902 or N903 is required.
 - 2 If N906 is present, then N905 is required.
 - 3 If either C04003 or C04004 is present, then the other is required.
 - 4 If either C04005 or C04006 is present, then the other is required.

- Semantic Notes:**
- 1 N906 reflects the time zone which the time reflects.
 - 2 N907 contains data relating to the value cited in N902.

Comments:

Notes: N9*82*LTXTY*LTXTY (DL-57)

Data Element Summary

	<u>Ref. Des.</u>	<u>Data Element</u>	<u>Name</u>		
M	N901	128	Reference Identification Qualifier Code qualifying the Reference Identification 82 Data Item Description (DID) Reference Specific data elements that the government will ask a contractor to provide and are spelled out in specific requirement documents	M	ID 2/3
	N902	127	Reference Identification Reference information as defined for a particular Transaction Set or as specified by the Reference Identification Qualifier "LTXTY"	X	AN 1/30
	N903	369	Free-form Description Free-form descriptive text LTXTY (DL-57) = Listing Text Type	X	AN 1/45

Segment: **MTX** Text
Position: 3400
Loop: N9 Optional
Level: Detail
Usage: Optional
Max Use: >1
Purpose: To specify textual data
Syntax Notes:

- 1 If MTX01 is present, then MTX02 is required.
- 2 If MTX03 is present, then MTX02 is required.
- 3 If MTX05 is present, then MTX04 is required.

Semantic Notes:

- 1 MTX05 is the number of lines to advance before printing.

Comments:

- 1 If MTX04 is "AA - Advance the specific number of lines before print", then MTX05 is required.

Notes: MTX**LTEXT (DL-59)

Data Element Summary

<u>Ref.</u> <u>Des.</u>	<u>Data</u> <u>Element</u>	<u>Name</u>		
Attributes MTX02	1551	Message Text	X	AN 1/4096
		To transmit large volumes of message text		
		LTEXT (DL-59) = Line of Text		

Segment: **N9 Reference Identification**

Position: 3300

Loop: N9 Optional

Level: Detail

Usage: Optional

Max Use: 1

Purpose: To transmit identifying information as specified by the Reference Identification Qualifier

- Syntax Notes:**
- 1 At least one of N902 or N903 is required.
 - 2 If N906 is present, then N905 is required.
 - 3 If either C04003 or C04004 is present, then the other is required.
 - 4 If either C04005 or C04006 is present, then the other is required.

- Semantic Notes:**
- 1 N906 reflects the time zone which the time reflects.
 - 2 N907 contains data relating to the value cited in N902.

Comments:

Notes: N9*82*FAINFO

Data Element Summary

	<u>Ref. Des.</u>	<u>Data Element</u>	<u>Name</u>		
M	N901	128	Reference Identification Qualifier Code qualifying the Reference Identification 82 Data Item Description (DID) Reference Specific data elements that the government will ask a contractor to provide and are spelled out in specific requirement documents	M	ID 2/3
	N902	127	Reference Identification Reference information as defined for a particular Transaction Set or as specified by the Reference Identification Qualifier "FAINFO"	X	AN 1/30

Segment: **MTX** Text
Position: 3400
Loop: N9 Optional
Level: Detail
Usage: Optional
Max Use: >1
Purpose: To specify textual data
Syntax Notes:

- 1 If MTX01 is present, then MTX02 is required.
- 2 If MTX03 is present, then MTX02 is required.
- 3 If MTX05 is present, then MTX04 is required.

Semantic Notes:

- 1 MTX05 is the number of lines to advance before printing.

Comments:

- 1 If MTX04 is "AA - Advance the specific number of lines before print", then MTX05 is required.

Notes: MTX**FAINFO (DL-56b)

Data Element Summary

<u>Ref.</u>	<u>Data</u>	<u>Element</u>	<u>Name</u>		
MTX02	1551	Message Text		X	AN 1/4096
			To transmit large volumes of message text		
			FAINFO (DL-56b) = File After Information		

Segment: **N9 Reference Identification**

Position: 3300

Loop: N9 Optional

Level: Detail

Usage: Optional

Max Use: 1

Purpose: To transmit identifying information as specified by the Reference Identification Qualifier

- Syntax Notes:**
- 1 At least one of N902 or N903 is required.
 - 2 If N906 is present, then N905 is required.
 - 3 If either C04003 or C04004 is present, then the other is required.
 - 4 If either C04005 or C04006 is present, then the other is required.

- Semantic Notes:**
- 1 N906 reflects the time zone which the time reflects.
 - 2 N907 contains data relating to the value cited in N902.

Comments:

Notes: N9*H7*ORI*DL

Data Element Summary

	<u>Ref. Des.</u>	<u>Data Element</u>	<u>Name</u>		
M	N901	128	Reference Identification Qualifier Code qualifying the Reference Identification H7 Standard Clause	M	ID 2/3
	N902	127	Reference Identification Reference information as defined for a particular Transaction Set or as specified by the Reference Identification Qualifier ORI Order Instructions	X	AN 1/30
	N903	369	Free-form Description Free-form descriptive text "DL"	X	AN 1/45

Segment: **MTX** Text
Position: 3400
Loop: N9 Optional
Level: Detail
Usage: Optional
Max Use: >1
Purpose: To specify textual data
Syntax Notes:

- 1 If MTX01 is present, then MTX02 is required.
- 2 If MTX03 is present, then MTX02 is required.
- 3 If MTX05 is present, then MTX04 is required.

Semantic Notes:

- 1 MTX05 is the number of lines to advance before printing.

Comments:

- 1 If MTX04 is "AA - Advance the specific number of lines before print", then MTX05 is required.

Notes: MTX**REMARKS (DL-113)

Data Element Summary

<u>Ref.</u> <u>Des.</u>	<u>Data</u> <u>Element</u>	<u>Name</u>		
Attributes MTX02	1551	Message Text	X	AN 1/4096
		To transmit large volumes of message text		
		REMARKS (DL-113) = Remarks		

Segment: **N1** Name
Position: 3500
Loop: N1 Optional
Level: Detail
Usage: Optional
Max Use: 1
Purpose: To identify a party by type of organization, name, and code
Syntax Notes:

- 1 At least one of N102 or N103 is required.
- 2 If either N103 or N104 is present, then the other is required.

Semantic Notes:
Comments:

- 1 This segment, used alone, provides the most efficient method of providing organizational identification. To obtain this efficiency the "ID Code" (N104) must provide a key to the table maintained by the transaction processing party.
- 2 N105 and N106 further define the type of entity in N101.

Notes: N1*DH*LISTINGS

Data Element Summary

<u>Ref.</u>	<u>Des.</u>	<u>Data Element</u>	<u>Name</u>	<u>Attributes</u>
M	N101	98	Entity Identifier Code	M ID 2/3
			Code identifying an organizational entity, a physical location, property or an individual	
			DH Doing Business As	
	N102	93	Name	X AN 1/60
			Free-form name	
			"LISTINGS"	

Segment: IN2 Individual Name Structure Components

Position: 3650

Loop: N1 Optional

Level: Detail

Usage: Optional

Max Use: >1

Purpose: To sequence individual name components for maximum specificity

Syntax Notes:

Semantic Notes:

Comments:

Notes:

```
IN2*01*TITLE1 (DL-49)*TITLE1
IN2*01*TITLE1D (DL-52)*TITLE1D
IN2*02*LNFN (DL-46)*LNFN (DL-46)
IN2*05*LNLN (DL-45)
IN2*10*TL (DL-48)*TL
IN2*10*TLD (DL-51)*TLD
IN2*12*DESD (DL-50a)*DESD
IN2*18*NICK (DL-54)
IN2*21*DES (DL-47)
```

Data Element Summary

	<u>Ref. Des.</u>	<u>Data Element</u>	<u>Name</u>	
M	IN201	1104	Name Component Qualifier Code identifying the type of name component 01 Prefix 02 First Name 05 Last Name 10 Generation 12 Combined (Unstructured) Name 18 Preferred First Name or Nickname 21 Professional Title	M ID 2/2
M	IN202	93	Name Free-form name TITLE1 (DL-49) = Title of Address 1 TITLE1D (DL-52) = Title of Address 1 for Dual Name LNFN (DL-46) = Listed Name First LNLN (DL-45) = Listed Name Last TL (DL-48) = Title of Lineage TLD (DL-51) = Title of Lineage for Dual Name DESD (DL-50a) = Designation for Dual Name NICK (DL-54) = Nickname DES (DL-47) = Designation	M AN 1/60
	IN203	93	Name Free-form name LNFN (DL-46) = Listed Name First "TITLE1" "TITLE1D" "TL" "TLD" "DESD"	O AN 1/60

Segment: **N4 Geographic Location**

Position: 3800

Loop: N1 Optional

Level: Detail

Usage: Optional

Max Use: 1

Purpose: To specify the geographic place of the named party

- Syntax Notes:**
- 1 Only one of N402 or N407 may be present.
 - 2 If N406 is present, then N405 is required.
 - 3 If N407 is present, then N404 is required.

Semantic Notes:

- Comments:**
- 1 A combination of either N401 through N404, or N405 and N406 may be adequate to specify a location.
 - 2 N402 is required only if city name (N401) is in the U.S. or Canada.

Notes: N4**LAST (DL-71)

Data Element Summary

<u>Ref.</u>	<u>Data</u>	<u>Element</u>	<u>Name</u>	
<u>Des.</u>				
<u>Attributes</u>				
N402	156	State or Province Code		X ID 2/2
		Code (Standard State/Province) as defined by appropriate government agency		
		LAST (DL-71) = Listed Address State/Province		

Segment: **NX2** Location ID Component

Position: 3850

Loop: N1 Optional

Level: Detail

Usage: Optional

Max Use: >1

Purpose: To define types and values of a geographic location

Syntax Notes:

Semantic Notes:

Comments:

Notes:

NX2*01*LANO (DL-63)
 NX2*02*LASN (DL-66)
 NX2*03*LASD (DL-65)
 NX2*05*BOX (DL-69f)
 NX2*06*ROUTE (DL-69e)
 NX2*07*LALOC (DL-70)
 NX2*12*BLDG (DL-69c)
 NX2*32*FLOOR (DL-69a)
 NX2*35*ROOM/MAIL STOP (DL-69b)
 NX2*39*AHN (DL-69d)
 NX2*40*LASS (DL-68)
 NX2*59*LAPR (DL-62)
 NX2*61*LASF (DL-64)
 NX2*62*LATH (DL-67)

Data Element Summary

	<u>Ref.</u>	<u>Data</u>	<u>Element</u>	<u>Name</u>	
		<u>Des.</u>			
		<u>Attributes</u>			
M		NX201	1106	Address Component Qualifier	M ID 2/2
				Code qualifying the type of address component	
				01 Street Number	
				02 Street Name	
				03 Prefix Direction	
				05 P.O. Box Number	
				06 Rural Route Number	
				07 City Name	
				12 Building Name	
				32 Floor	
				A particular floor or level of a building	
				35 Room	
				A walled room or partitioned area of a building	
				39 Unstructured Property	
				40 Street Suffix	
				59 Street Number Low	
				61 Street Number Fraction	
				62 Street Name Suffix	
M		NX202	166	Address Information	M AN 1/55
				Address information	
				LANO (DL-63) = Listed Address Number	
				LASN (DL-66) = Listed Address Street Name	

LASD (DL-65) = Listed Address Street Directional Prefix
BOX (DL-69f) = Box
ROUTE (DL-69e) = Route
LALOC (DL-70) = Listed Address Locality
BLDG (DL-69c) = Building
FLOOR (DL-69a) = Floor
ROOM/MAIL STOP (DL-69b) = Room/Mail Stop
AHN (DL-69d) = Assigned House Number
LASS (DL-68) = Listed Address Street Directional Suffix
LAPR (DL-62) = Listed Address Number Prefix
LASF (DL-64) = Listed Address Number Suffix
LATH (DL-67) = Listed Address Street Type

Segment: **SI** Service Characteristic Identification

Position: 4050

Loop: N1 Optional

Level: Detail

Usage: Optional

Max Use: >1

Purpose: To specify service characteristic data

- Syntax Notes:**
- 1 If either SI04 or SI05 is present, then the other is required.
 - 2 If either SI06 or SI07 is present, then the other is required.
 - 3 If either SI08 or SI09 is present, then the other is required.
 - 4 If either SI10 or SI11 is present, then the other is required.
 - 5 If either SI12 or SI13 is present, then the other is required.
 - 6 If either SI14 or SI15 is present, then the other is required.
 - 7 If either SI16 or SI17 is present, then the other is required.
 - 8 If either SI18 or SI19 is present, then the other is required.
 - 9 If either SI20 or SI21 is present, then the other is required.

Semantic Notes:

Comments: 1 SI01 defines the source for each of the service characteristics qualifiers.

Notes: SI*TI*TN*LTN (DL-39)
SI*TI*NS*NSTN (DL-40)

Data Element Summary

	<u>Ref.</u>	<u>Data</u>	<u>Element</u>	<u>Name</u>		
	<u>Des.</u>					
	<u>Attributes</u>					
M	SI01	559		Agency Qualifier Code	M	ID 2/2
				Code identifying the agency assigning the code values		
				TI Telecommunications Industry		
M	SI02	1000		Service Characteristics Qualifier	M	AN 2/2
				Code from an industry code list qualifying the type of service characteristics		
				NS Non-Standard Telephone Number		
				TN Telephone Number		
M	SI03	234		Product/Service ID	M	AN 1/48
				Identifying number for a product or service		
				LTN (DL-39) = Listed Telephone Number		
				NSTN (DL-40) = Non Standard Telephone Number		

Segment: **SLN** Subline Item Detail

Position: 4700
Loop: SLN Optional

Level: Detail

Usage: Optional

Max Use: 1

Purpose: To specify product subline detail item data

- Syntax Notes:**
- 1 If either SLN04 or SLN05 is present, then the other is required.
 - 2 If SLN07 is present, then SLN06 is required.
 - 3 If SLN08 is present, then SLN06 is required.
 - 4 If either SLN09 or SLN10 is present, then the other is required.
 - 5 If either SLN11 or SLN12 is present, then the other is required.
 - 6 If either SLN13 or SLN14 is present, then the other is required.
 - 7 If either SLN15 or SLN16 is present, then the other is required.
 - 8 If either SLN17 or SLN18 is present, then the other is required.
 - 9 If either SLN19 or SLN20 is present, then the other is required.
 - 10 If either SLN21 or SLN22 is present, then the other is required.
 - 11 If either SLN23 or SLN24 is present, then the other is required.
 - 12 If either SLN25 or SLN26 is present, then the other is required.
 - 13 If either SLN27 or SLN28 is present, then the other is required.

- Semantic Notes:**
- 1 SLN01 is the identifying number for the subline item.
 - 2 SLN02 is the identifying number for the subline level. The subline level is analogous to the level code used in a bill of materials.
 - 3 SLN03 is the configuration code indicating the relationship of the subline item to the baseline item.
 - 4 SLN08 is a code indicating the relationship of the price or amount to the associated segment.

- Comments:**
- 1 See the Data Element Dictionary for a complete list of IDs.
 - 2 SLN01 is related to (but not necessarily equivalent to) the baseline item number. Example: 1.1 or 1A might be used as a subline number to relate to baseline number 1.
 - 3 SLN09 through SLN28 provide for ten different product/service IDs for each item. For example: Case, Color, Drawing No., U.P.C. No., ISBN No., Model No., or SKU.

Notes: SLN*CAPTION*n*A*1*EA****LS*SO (DL-77) [SLN Loop may repeat]

Data Element Summary

	<u>Ref. Des.</u>	<u>Data Element</u>	<u>Name</u>		
M	SLN01	350	Assigned Identification	M	AN 1/20
			Alphanumeric characters assigned for differentiation within a transaction set "CAPTION"		
	SLN02	350	Assigned Identification	O	AN 1/20
			Alphanumeric characters assigned for differentiation within a transaction set "n" = nth assigned ID within SLN loop		
M	SLN03	662	Relationship Code	M	ID 1/1
			Code indicating the relationship between entities A Add		
	SLN04	380	Quantity	X	R 1/15
			Numeric value of quantity		

		1	Always One		
	SLN05	C001	Composite Unit of Measure		X
			To identify a composite unit of measure (See Figures Appendix for examples of use)		
M	C00101	355	Unit or Basis for Measurement Code		M ID 2/2
			Code specifying the units in which a value is being expressed, or manner in which a measurement has been taken		
		EA	Each		
	SLN09	235	Product/Service ID Qualifier		X ID 2/2
			Code identifying the type/source of the descriptive number used in Product/Service ID (234)		
		LS	Load Sequence		
	SLN10	234	Product/Service ID		X AN 1/48
			Identifying number for a product or service		
			SO (DL-77) = Sequence Override		

Segment: **SI** Service Characteristic Identification

Position: 4800
Loop: SLN Optional
Level: Detail
Usage: Optional
Max Use: >1

Purpose: To specify service characteristic data
Syntax Notes:

- 1 If either SI04 or SI05 is present, then the other is required.
- 2 If either SI06 or SI07 is present, then the other is required.
- 3 If either SI08 or SI09 is present, then the other is required.
- 4 If either SI10 or SI11 is present, then the other is required.
- 5 If either SI12 or SI13 is present, then the other is required.
- 6 If either SI14 or SI15 is present, then the other is required.
- 7 If either SI16 or SI17 is present, then the other is required.
- 8 If either SI18 or SI19 is present, then the other is required.
- 9 If either SI20 or SI21 is present, then the other is required.

Semantic Notes:

Comments: 1 SI01 defines the source for each of the service characteristics qualifiers.

Notes: SI*TI*DG*LVL (DL-73)
 SI*TI*DU*PLS (DL-74)
 SI*TI*C3*PLTN (DL-76)
 SI*TI*C4*PLNSTN (DL-76a)
 SI*TI*C5*FATN (DL-79)
 SI*TI*C6*FASTN (DL-79a)

Data Element Summary

Ref. Des.	Data Element	Name	
Attributes			
M	SI01	559 Agency Qualifier Code	M ID 2/2
		Code identifying the agency assigning the code values	
		TI Telecommunications Industry	
M	SI02	1000 Service Characteristics Qualifier	M AN 2/2
		Code from an industry code list qualifying the type of service characteristics	
		C3 Header Telephone Number	
		C4 Header Non-Standard Telephone Number	
		C5 Sequence Telephone Number	
		C6 File After Non-Standard Telephone Number	
		DG Degree of Indent	
		DU Directory Caption Header Status	
M	SI03	234 Product/Service ID	M AN 1/48
		Identifying number for a product or service	
		LVL (DL-73) = Level of Indent	
		PLS (DL-74) = Prior Level Status	
		PLTN (DL-76) = Prior Level Telephone Number	
		PLNSTN (DL-76a) = Prior Level Non-Standard Telephone Number	
		FATN (DL-79) = File After Telephone Number	
		FANSTN (DL-79a) = File After Non-Standard Telephone Number	

Segment: **N9** Reference Identification

Position: 5230

Loop: N9 Optional

Level: Detail

Usage: Optional

Max Use: 1

Purpose: To transmit identifying information as specified by the Reference Identification Qualifier

- Syntax Notes:**
- 1 At least one of N902 or N903 is required.
 - 2 If N906 is present, then N905 is required.
 - 3 If either C04003 or C04004 is present, then the other is required.
 - 4 If either C04005 or C04006 is present, then the other is required.

- Semantic Notes:**
- 1 N906 reflects the time zone which the time reflects.
 - 2 N907 contains data relating to the value cited in N902.

Comments:

Notes: N9*82*PLINFO

Data Element Summary

	<u>Ref. Des.</u>	<u>Data Element</u>	<u>Name</u>		
M	N901	128	Reference Identification Qualifier Code qualifying the Reference Identification 82 Data Item Description (DID) Reference Specific data elements that the government will ask a contractor to provide and are spelled out in specific requirement documents	M	ID 2/3
	N902	127	Reference Identification Reference information as defined for a particular Transaction Set or as specified by the Reference Identification Qualifier "PLINFO"	X	AN 1/30

Segment: **MTX** Text
Position: 5250
Loop: N9 Optional
Level: Detail
Usage: Optional
Max Use: >1
Purpose: To specify textual data
Syntax Notes:

- 1 If MTX01 is present, then MTX02 is required.
- 2 If MTX03 is present, then MTX02 is required.
- 3 If MTX05 is present, then MTX04 is required.

Semantic Notes:

- 1 MTX05 is the number of lines to advance before printing.

Comments:

- 1 If MTX04 is "AA - Advance the specific number of lines before print", then MTX05 is required.

Notes: MTX**PLINFO (DL-75)

Data Element Summary

<u>Ref.</u>	<u>Data</u>	<u>Element</u>	<u>Name</u>		
Attributes					
MTX02	1551	Message Text		X	AN 1/4096
		To transmit large volumes of message text			
		PLINFO (DL-75) = Prior Level Information			

Segment: **N9** Reference Identification

Position: 5230

Loop: N9 Optional

Level: Detail

Usage: Optional

Max Use: 1

Purpose: To transmit identifying information as specified by the Reference Identification Qualifier

- Syntax Notes:**
- 1 At least one of N902 or N903 is required.
 - 2 If N906 is present, then N905 is required.
 - 3 If either C04003 or C04004 is present, then the other is required.
 - 4 If either C04005 or C04006 is present, then the other is required.

- Semantic Notes:**
- 1 N906 reflects the time zone which the time reflects.
 - 2 N907 contains data relating to the value cited in N902.

Comments:

Notes: N9*82*FAINFO

Data Element Summary

	<u>Ref. Des.</u>	<u>Data Element</u>	<u>Name</u>		
M	N901	128	Reference Identification Qualifier Code qualifying the Reference Identification 82 Data Item Description (DID) Reference Specific data elements that the government will ask a contractor to provide and are spelled out in specific requirement documents	M	ID 2/3
	N902	127	Reference Identification Reference information as defined for a particular Transaction Set or as specified by the Reference Identification Qualifier "FAINFO"	X	AN 1/30

Segment: **MTX** Text
Position: 5250
Loop: N9 Optional
Level: Detail
Usage: Optional
Max Use: >1
Purpose: To specify textual data
Syntax Notes:

- 1 If MTX01 is present, then MTX02 is required.
- 2 If MTX03 is present, then MTX02 is required.
- 3 If MTX05 is present, then MTX04 is required.

Semantic Notes:

- 1 MTX05 is the number of lines to advance before printing.

Comments:

- 1 If MTX04 is "AA - Advance the specific number of lines before print", then MTX05 is required.

Notes: MTX**FAINFO (DL-78)

Data Element Summary

<u>Ref.</u> <u>Des.</u>	<u>Data</u> <u>Element</u>	<u>Name</u>	
Attributes MTX02	1551	Message Text To transmit large volumes of message text FAINFO (DL-78) = File After Information	X AN 1/4096

Segment: **CTT** Transaction Totals

Position: 0100

Loop: CTT Optional

Level: Summary

Usage: Optional

Max Use: 1

Purpose: To transmit a hash total for a specific element in the transaction set

Syntax Notes: 1 If either CTT03 or CTT04 is present, then the other is required.

2 If either CTT05 or CTT06 is present, then the other is required.

Semantic Notes:

Comments: 1 This segment is intended to provide hash totals to validate transaction completeness and correctness.

Data Element Summary

	<u>Ref.</u> <u>Des.</u>	<u>Data</u> <u>Element</u>	<u>Name</u>	
M	CTT01	354	Number of Line Items Total number of line items in the transaction set	M NO 1/6

Segment: **SE** Transaction Set Trailer
Position: 0300
Loop:
Level: Summary
Usage: Mandatory
Max Use: 1
Purpose: To indicate the end of the transaction set and provide the count of the transmitted segments (including the beginning (ST) and ending (SE) segments)

Syntax Notes:

Semantic Notes:

Comments: 1 SE is the last segment of each transaction set.

Data Element Summary

	<u>Ref. Des.</u>	<u>Data Element</u>	<u>Name</u>	
	<u>Attributes</u>			
M	SE01	96	Number of Included Segments	M NO 1/10
			Total number of segments included in a transaction set including ST and SE segments	
M	SE02	329	Transaction Set Control Number	M AN 4/9
			Identifying control number that must be unique within the transaction set functional group assigned by the originator for a transaction set	