

**WHATCOM COUNTY
PUBLIC WORKS DEPARTMENT**



Jon Hutchings
Director

Joseph P. Rutan, P. E.
County Engineer/Assistant Director
322 N. Commercial Street, Ste 301
Bellingham, WA 98225-4042
Phone: (360) 778-6210
Fax: (360) 778-6211

March 16, 2018

Subject: Notice of Intent to Establish a Quiet Zone
Location: Whatcom County, Washington-Cliffside Dr., DOT #084821L M.P. 100.299 Proposed Quiet Zone

This letter is a Notice of Intent for the establishment of a quiet zone at the aforementioned location in accordance with the regulations set forth by the Federal Railroad Administration's (FRA) Train Horn Rule (49 CFR Part 222).

The railway is currently active 24 hours a day and Whatcom County, at the request of the residents, would like to completely eliminate the routine sounding of the locomotive horn at Cliffside Drive, DOT #084821L M.P. 100.299. This will be the only public highway-rail grade crossing included in this quiet zone.

The Cliffside Drive is a no outlet local access road to a small community of approximately 44 residences that live on the westerly side of the crossing. These residences are the predominant user of this crossing. The current Average Daily Traffic (ADT) is 300 vehicles. There are no school or city buses that use this crossing.

The current configuration of the Cliffside Drive public highway-rail grade crossing is two (2) entrance gates with 8 each signal mast mounted warning lights. The approaches to the crossing will accommodate the installation of Supplemental Safety Measures (SSM) on both sides of the crossing that will mitigate the risk when eliminating the train horn. The following SSM's are approved by the FRA and will be installed and maintained in accordance with 49 CFR Part 222, Appendix A. The SSM's Whatcom County proposes to install are: 100 feet of mountable medians with reflective traffic channelization devices on both sides of the crossing. Please see the preliminary exhibit of the proposed improvements. Whatcom County also intends to place a protective curb barrier adjacent to the edge lines of the road to channelize vehicles away from the gate mast and warning lights.

The current Quiet Zone Risk Index at this crossing is below the Nationwide Significant Risk Threshold making it eligible to be established as a quiet zone without the installations of SSM's. With the installation of the described SSM's, the risk is reduced quite substantially to a level below the Risk Index with Horns. Please reference the attached Quiet Zone Calculator calculations.

The name and title of the point of contact for Whatcom County during the quiet zone development process is as follows:

Cody Swan
Project Engineer
Design & Construction Section
Whatcom County Public Works
322 N. Commercial St. Suite 301
Bellingham, WA 98225-4042
(360) 778-6265
Email: cswan@co.whatcom.wa.us

Action Required:

Please consider this notice as the beginning date of the required 60-day comment period in the Quiet Zone process. The 60-day comment period for this Quiet Zone will end on May 15, 2018, or when a written comment or a “no comment” statement is received from each recipient of this notice.

The following is a list of names and addresses of each party that will receive this notification:

1. Railroads operating over grade crossing:

Stephen Semenick
Manger Public Projects for WA, ID & BC
BNSF Railway
2454 Occidental Avenue So Suite 2D
Seattle, WA 98134

Elizabeth F Klute (LIS), CEM
Northwest Regional Emergency Manager (OR/WA/ID/MT/ND)
Emergency Management & Corporate Security Department
National Railroad Passenger Corporation - Amtrak
187 S Holgate St,
Seattle, WA 98134

2. State agency responsible for highway and road safety, and State agency responsibility for grade crossing safety:

Kathy Hunter
Deputy Assistant Director, Transportation Safety
Washington Utilities and Transportation Commission
1300 S. Evergreen Park Dr. SW
PO Box 47250

Olympia, WA 98504-7250

Please feel free to contact Cody Swan with any questions regarding this topic.

Respectfully,

Joseph P. Rutan, P.E.
County Engineer/Assistant Director

Attachments:

- Preliminary Cliffside Drive Railroad Grade Crossing Improvements exhibit
- Quiet Zone Calculator
 - Crossing Information- Updated vehicles per day and total trains
 - Pre-Improved risk calculations
 - Post-Improved risk calculations
- Sample photographs of proposed SSM used in Vancouver, WA.

Cc via email: Jeffrey P. Stewart
Grade Crossing Inspector
U.S. Department of Transportation
Federal Railroad Administration, Region 8
500 Broadway, Suite 240
Vancouver, WA 98660

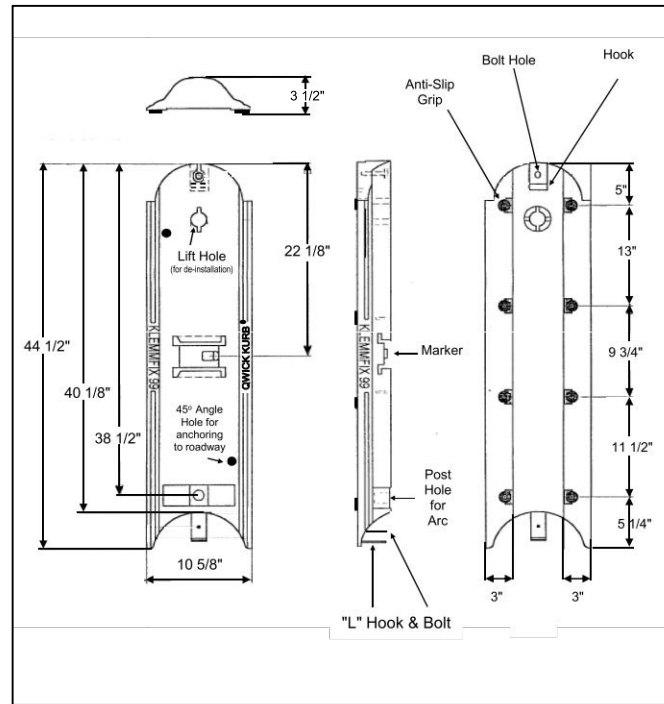


CLIFFSIDE DRIVE RAILROAD GRADE CROSSING IMPROVEMENTS

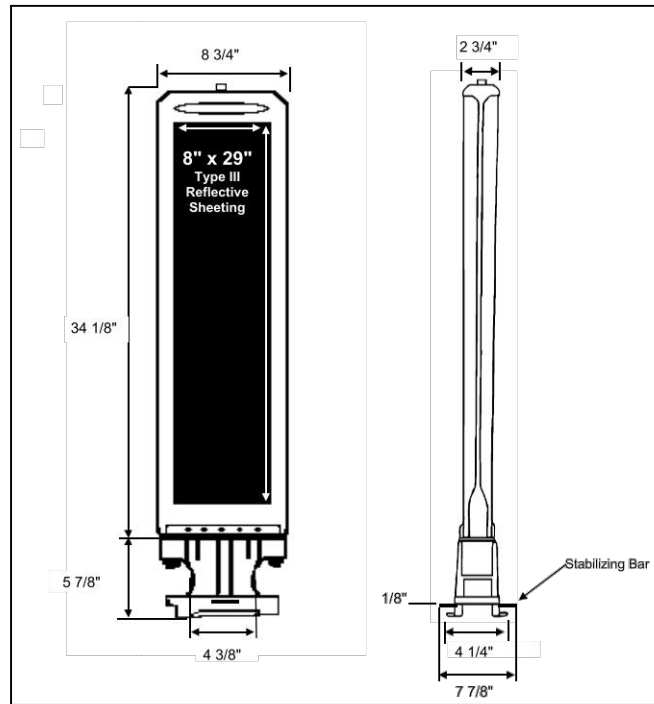
Exhibit CS - 2

CRP No. 918014

SECTION 15, TOWNSHIP 38 NORTH, RANGE 2 EAST, W.M., WHATCOM COUNTY, WASHINGTON

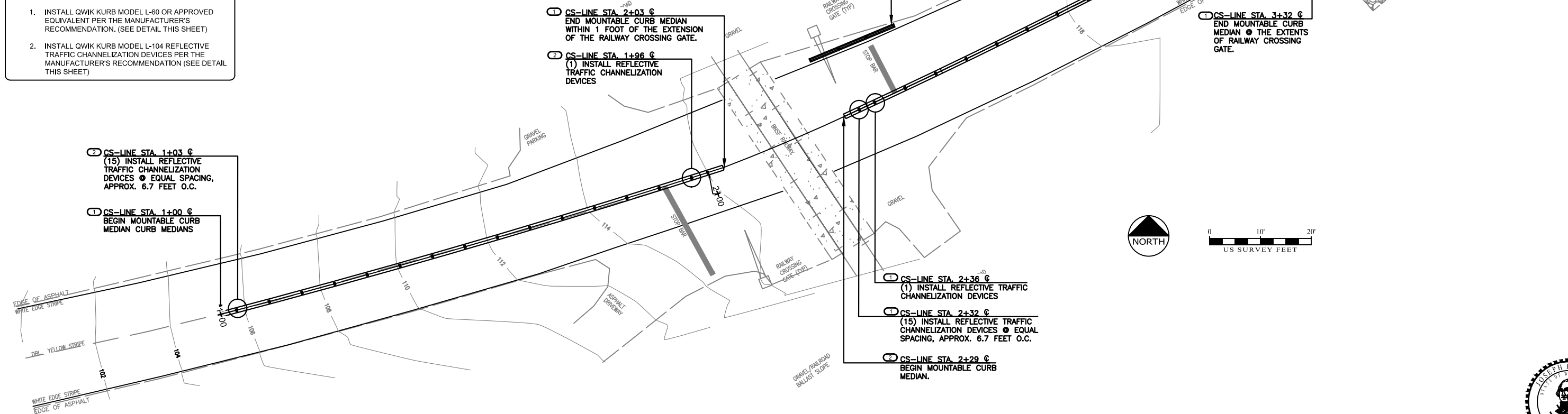


1 MOUNTABLE CURB MEDIAN



2 REFLECTIVE TRAFFIC CHANNELIZATION DEVICE DETAIL

- # MEDIAN NOTES**
1. INSTALL QWIK KURB MODEL L-60 OR APPROVED EQUIVALENT PER THE MANUFACTURER'S RECOMMENDATION. (SEE DETAIL THIS SHEET)
 2. INSTALL QWIK KURB MODEL L-104 REFLECTIVE TRAFFIC CHANNELIZATION DEVICES PER THE MANUFACTURER'S RECOMMENDATION (SEE DETAIL THIS SHEET)



INSTALL APPROXIMATELY 18 FEET OF PRECAST WHEEL STOPS, AS DIRECTED BY ENGINEER

CS-LINE STA. 3+32 @ END MOUNTABLE CURB MEDIAN @ THE EXTENTS OF RAILWAY CROSSING GATE.

CS-LINE STA. 2+03 @ END MOUNTABLE CURB MEDIAN WITHIN 1 FOOT OF THE EXTENSION OF THE RAILWAY CROSSING GATE.

CS-LINE STA. 1+96 @ (1) INSTALL REFLECTIVE TRAFFIC CHANNELIZATION DEVICES

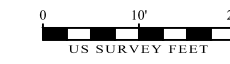
CS-LINE STA. 1+03 @ (15) INSTALL REFLECTIVE TRAFFIC CHANNELIZATION DEVICES @ EQUAL SPACING, APPROX. 6.7 FEET O.C.

CS-LINE STA. 1+00 @ BEGIN MOUNTABLE CURB MEDIAN CURB MEDIANS

CS-LINE STA. 2+36 @ (1) INSTALL REFLECTIVE TRAFFIC CHANNELIZATION DEVICES

CS-LINE STA. 2+32 @ (15) INSTALL REFLECTIVE TRAFFIC CHANNELIZATION DEVICES @ EQUAL SPACING, APPROX. 6.7 FEET O.C.

CS-LINE STA. 2+29 @ BEGIN MOUNTABLE CURB MEDIAN.



JACK LOUWS
WHATCOM COUNTY EXECUTIVE

JOSEPH P. RUTAN, P.E.
COUNTY ENGINEER

PRELIMINARY (100% REVIEW SET)



No.	SHEET REVISION	DATE	BY	PLAN SET ISSUE	DATE	DESIGN	DRAWN	CHECK	CONTRACT DATE:	TBD	PUBLIC WORKS DIRECTOR:	JON HUTCHINGS	PROJECT:	CLIFFSIDE DRIVE RAILROAD GRADE CROSSING IMPROVEMENTS	SHEET:	01
						CJS	KFA	JPK	PROJECT No.:	CRP 918014	COUNTY ENGINEER:	JOSEPH P. RUTAN, P.E.	TITLE:	MOUNTABLE CURB MEDIAN WITH REFLECTIVE CHANNELIZATION DEVICES PLAN	OF:	01
						DRAWING SCALE:	1" = 10'		ROAD/BIDGE No.:	70760	PROJECT ENGINEER:	CODY SWAN				
						HORZ. DATUM:	COB83/98		DRAWING FILE:	918014 Cliffside X BD.dwg						
						VERT. DATUM:	NAVD88									

WHATCOM COUNTY
DEPARTMENT OF PUBLIC WORKS
322 N. COMMERCIAL ST., SUITE 301 BELLINGHAM, WA 98225
(360) 778-6210

Update and Verify Crossing Information

CONTINUE

Create New Zone
Manage Existing Zones
Log Off

Zone:
 Quiet Zone Type : **New 24-hour Quiet Zone**

084821L CLIFFSIDE DRIVE

084821L CLIFFSIDE DRIVE

Step by Step Instructions:

Step 1: To add more crossings to the zone Click the ADD CROSSING.

Step 2: To Make changes to the default information, select the crossing from list. Enter the changes in the appropriate box, then click the UPDATE button.

Step 3: To permanently remove a crossing from the zone, select Crossing from list. Click the DELETE CROSSING button.

Step 4: Verify All Crossing Information Provided is correct. Then Click the Check Box, then CONTINUE button .

*** Note:** To see a list of SSMs, click on "Pre-Existing SSM".

* = Not Public At Grade Crossing
 ** = Closed Crossing

To verify ALL CROSSING INFORMATION PROVIDED is correct, click on the check box here.

ADD CROSSING **DELETE CROSSING**

Present warn device: Gates	Gates ▼
Number of highway vehicles per day: 000450	300
Total trains: 14	17
Day through trains : 7	7
Total Switching Trains : 0	0
Number of main tracks: 1	1
Number of other tracks: 0	0
Urban(U.)/Rural(R.): U.Local	U.Local ▼
Highways paved: Yes	Yes ▼
Maximum timetable speed mph: 45	45
Number of highway lanes: 2	2
Number of years accident data: 5	5
Number of accidents in accident data years: 0	0
Wayside horn:	No ▼
Pre-Existing SSM:	No ▼

UPDATE

Note: Updating Crossing information on the Quiet Zone Calculator **DOES NOT** update the crossing inventory. Be sure that an updated current and accurate inventory form is also submitted.

Change Scenario:

Crossing	Street	Traffic	Warning Device	Pre-SSM	SSM	Risk	
084821L	CLIFFSIDE DRIVE	300	Gates	0	0	13,837.78	<input type="button" value="MODIFY"/>

Create New Zone

Manage Existing Zones

Log Off

* Only Public At Grade Crossings are listed.

Click for [Supplementary Safety Measures \[SSM\]](#).

Click for ASM spreadsheet: * Note: The use of ASMs requires an application to and approval from the FRA.

Step by Step Instructions:

Step 1: To specify New Warning Device (For Pre-Rule Quiet Zone Only) and/or SSM, click the [MODIFY](#) Button

Step 2: Select proposed warning device or SSM. Then click the [UPDATE](#) button. To generate a spreadsheet of the values on this page, click on [ASM](#) button—This spreadsheet can then be used for ASM calculations.

Step 3: Repeat Step (2) until the SELECT button is shown at the bottom right side of this page. Note that the SELECT button is shown ONLY when the Quiet Zone Risk Index falls below the NSRT or the Risk Index with Horn.

Step 4: To save the scenario and continue, click the SELECT button

Summary	
Proposed Quiet Zone:	CLIFFSIDE3
Type:	New 24-hour QZ
Scenario:	CLIFFSIDE3_52070
Estimated Total Cost:	\$0.00
Nationwide Significant Risk Threshold:	14723 .00
Risk Index with Horns:	8296.03
Quiet Zone Risk Index:	13837.78
<input type="button" value="Select"/>	

Change Scenario:

Create New Zone

Crossing	Street	Traffic	Warning Device	Pre-SSM	SSM	Risk	
084821L	CLIFFSIDE DRIVE	300	Gates	0	12	3,459.45	MODIFY

Manage Existing Zones

Log Off

* Only Public At Grade Crossings are listed.

ALERT: Quiet Zone qualifies because SSM has been applied in each crossing.

Step by Step Instructions:

Click for [Supplementary Safety Measures \[SSM\]](#)

Click for ASM spreadsheet: * Note: The use of ASMs requires an application to and approval from the FRA.

Step 1: To specify New Warning Device (For Pre-Rule Quiet Zone Only) and/or SSM, click the [MODIFY](#) Button

Step 2: Select proposed warning device or SSM. Then click the [UPDATE](#) button. To generate a spreadsheet of the values on this page, click on [ASM](#) button—This spreadsheet can then be used for ASM calculations.

Step 3: Repeat Step (2) until the [SELECT](#) button is shown at the bottom right side of this page. Note that the [SELECT](#) button is shown ONLY when the Quiet Zone Risk Index falls below the NSRT or the Risk Index with Horn.

Step 4: To save the scenario and continue, click the [SELECT](#) button

Summary	
Proposed Quiet Zone:	Cliffside2
Type:	New 24-hour QZ
Scenario:	CLIFFSIDE2_52064
Estimated Total Cost:	\$13,000.00
Nationwide Significant Risk Threshold:	14723 .00
Risk Index with Horns:	8296.03
Quiet Zone Risk Index:	3459.45
<input type="button" value="Select"/>	

Existing Quiet Zone
Vancouver, WA



Existing Quiet Zone
Vancouver, WA

