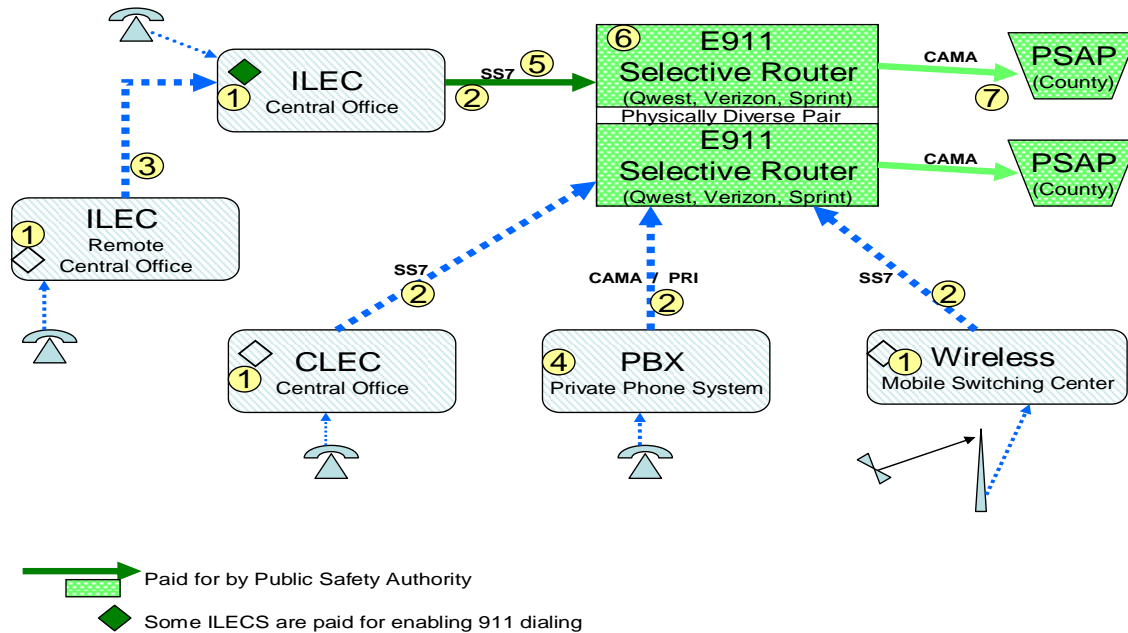


Current Carrier 911 Reimbursement In Washington State



1. Central Office Enabling – All dialable codes in a Central Office must be assigned a function. For n11 codes like 911 that are in use the code is directed either to an outgoing trunk group lead number or to a 10 digit phone number. Some ILECs have provided for monthly and/or nonrecurring reimbursement in their tariffs.
2. 911 Interoffice Trunking – Facilities are assigned to transport 911 dialled calls to the Enhanced 911 Selective Router. These can be individually identified trunks or capacity within inter-carrier facilities. Multi-frequency CAMA protocols have been replaced with current standard Signalling System Seven protocols for call management on these trunks. The recommended number of 911 trunks from any one central office and the Selective Router has been sufficient to provide a P.01 grade of service during the average busy hour of the week calculated over one calendar quarter. Private telephone systems have the option of CAMA or in some cases can utilize Primary Rate Interface ISDN for the signalling.
3. Remote to host umbilical - Facilities between a remote central office and its host are shared with 911 call processing occurring at the host. 911 call handling is done at the host.
4. PBX links to E911 - Private telephone system owners are required to provide interfaces to E911 so that the caller's location is displayed at the PSAP for certain applications such as residential and schools. Others such as large business provide the interface as a matter of employee safety.
5. Reimbursable transport - ILECs have traditionally been reimbursed for the transport of 911 dialled calls between their end serving central offices and the E911 Selective Router. In some cases there is no charge when the transport is to a carrier supplied SR but the carrier does charge when the transport is to a non-supplied SR.
6. E911 Selective Router/Tandem Switch functions - The Enhanced 911 call management functions are acquired from ILECs, A current project underway is the consolidation of resources to eliminate some selective routers and have all 911 selective routing accomplished by redundant physically diverse router pairs. Call processing from the Selective Router interface to the PSAP is standardized for all calls with carrier's reimbursement.
7. Connections to PSAPS - The connections to the PSAPs are provided with diversity where possible and are acquired from ILECs under tariff. In some cases alternate and backup paths are supplied by the county on non-carrier facilities. *(NOTE: DOCUMENT PROVIDED BY EMD/BOB OENNING/253.612.7011 MARCH 2005)*