

BEFORE THE
WASHINGTON UTILITIES & TRANSPORTATION COMMISSION

UG-__
GENERAL RATE APPLICATION
OF
NORTHWEST NATURAL GAS COMPANY

December 31, 2018

Direct Exhibit of Andrew C. Middleton

ENVIROMENTAL MITIGATION HISTORY

Exh. ACM-8

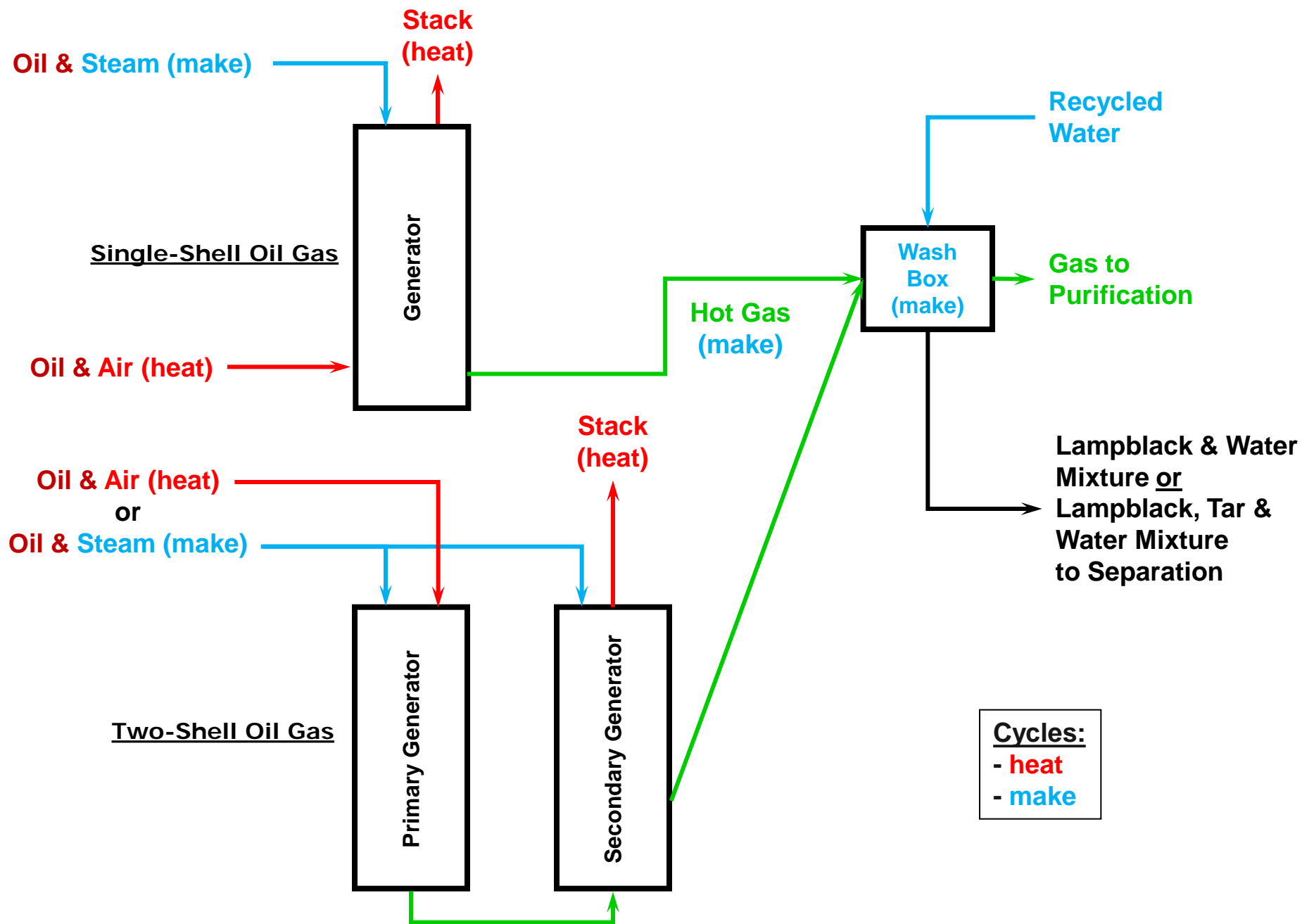


Exhibit 13: Schematic Diagram of Oil Gas Manufacture