

TD 05I Sign, Danger

RCMS Code: BA

TD 051		
Material	SI #	Code
10" x 14" sign	8002375	C
Backing plate	8003091	F

Scope

This standard orders danger signs for transmission lattice towers and backing plates for reinforcing the sign. These signs are bolt-on and require field-drilling. The plate has a predrilled pattern for a two- or three-bolt attachment. The signs must be installed with the backing plate.

Standard References

The following publications also pertain transmission line high-voltage warning signs:

ANSI Z535.1 - 2006, *Safety Color Code*

ANSI Z535.2 - 2006, *Environmental and Facility Safety Signs*

ANSI Z535.3 - 2006, *Criteria for Safety Signs*

ANSI Z535.5 - 2006, *Accident Prevention Tags (For Temporary Hazards)*

IEEE National Electric Safety Code - Latest Revision

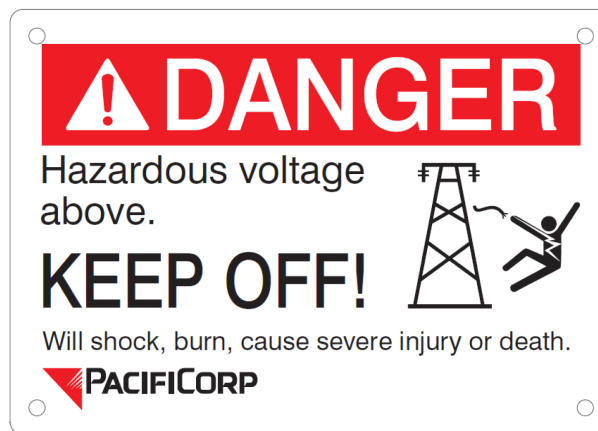


Figure 1—Sign, 10" x 14"

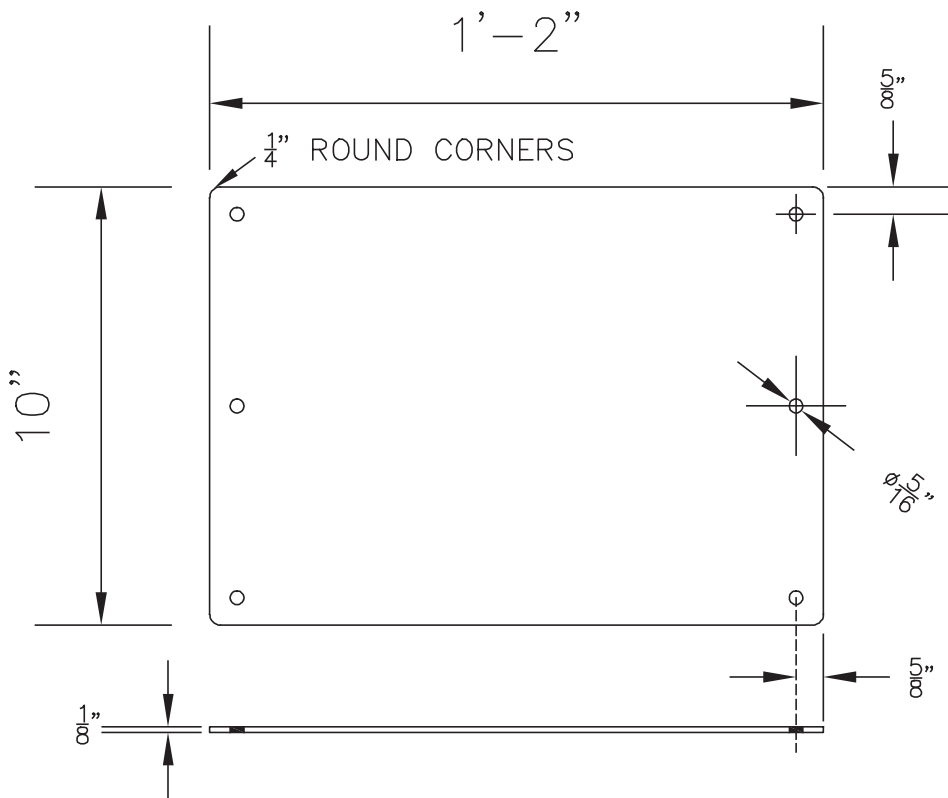


Figure 2—Backing Plate, 10" × 14"

Material

The signs are constructed of a long-lasting material (20 - 25 years minimum of exterior durability) and are UV resistant. Signs are constructed from heavy-duty polyethylene, embedded fiberglass, polyolefin, lexan, or reflective aluminum. The backing plate is made from a 1/8I thick mild steel which is hot- dipped galvanized to resist corrosion.

Sign Description and Layout

The 10" ×14" signs are made as shown in Figure 1. The signal word "DANGER" is a minimum of 1.88" white lettering on red background. Other text and symbols are sized and positioned as shown in Figure 1.

Installation and Placement

To improve the durability of the sign, a backing plate must always be installed with each sign. Refer to Figures 3 and 4 for three-point and two-point attachment options.

Place the signs approximately in the positions shown in Figure 5. Install four signs, one on each tower face. Field-drill the sign and plate for existing bolt spacing to replace signs. Space the holes as far apart as possible. For new installations, bolt the plate and sign to the tower in at least three places, preferably corners. Alternately, bolt the plate and sign to the tower in two places along a horizontal centerline of the sign. Ensure that the signs are square with the tower.

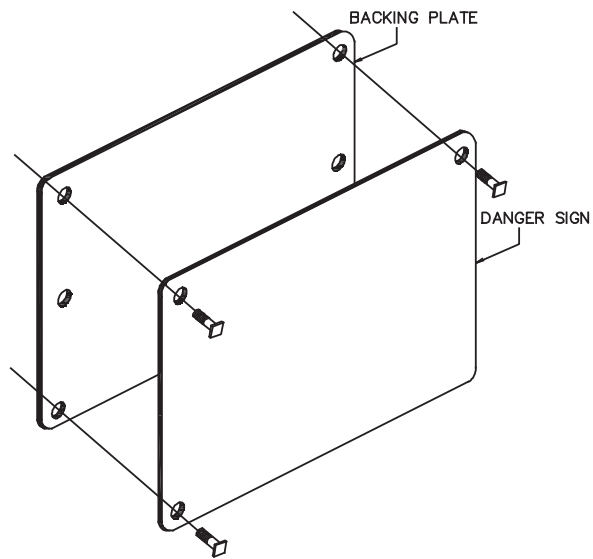
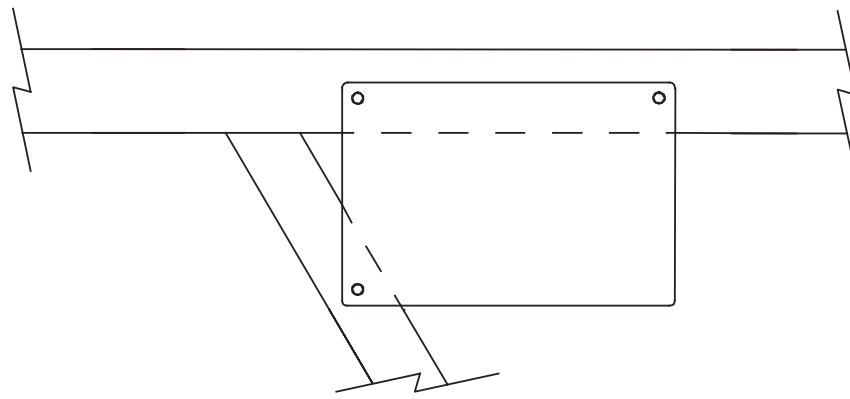


Figure 3—Three-point Attachment (Preferred Method)

TD 051 Sign, Danger

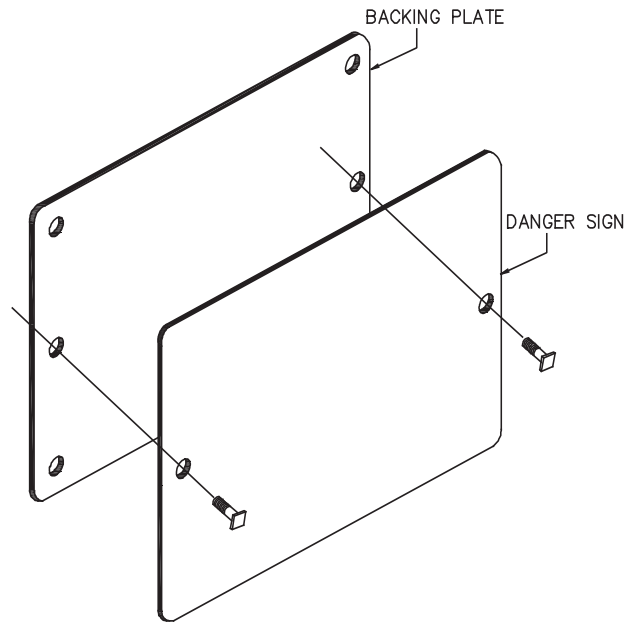
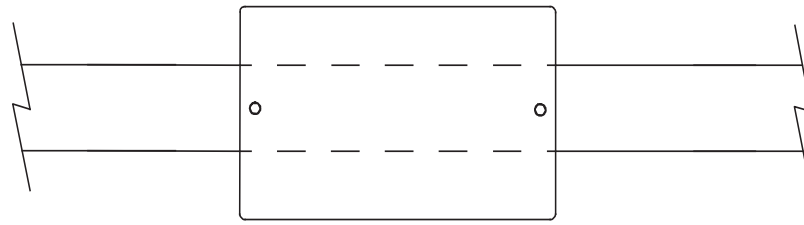


Figure 4—Two-point Attachment (Alternative Method)

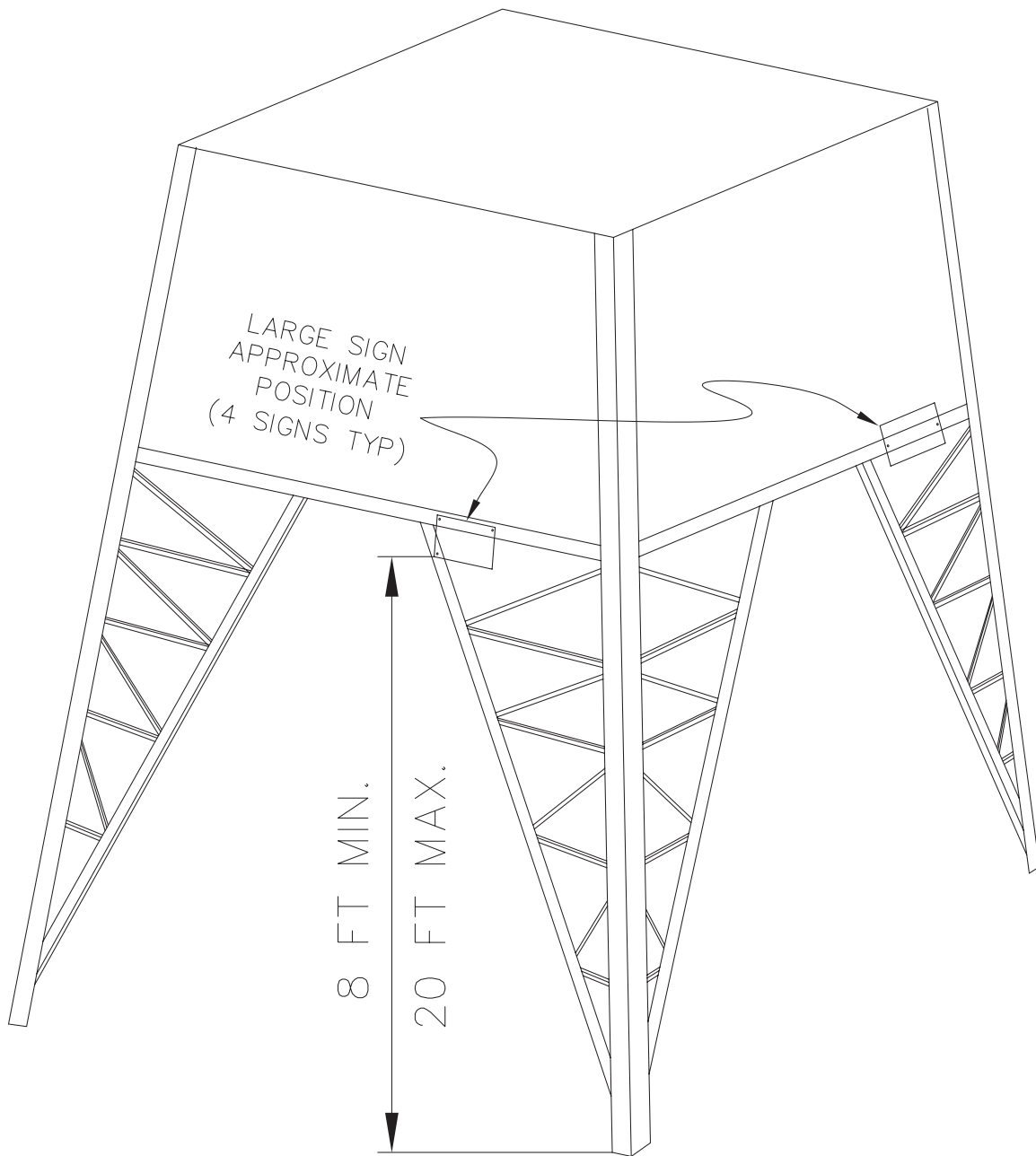


Figure 5—Sign Placement

This page is left blank intentionally.