

June 4, 2012

David Lykken, Director Pipeline Safety
Washington Utilities and Transportation Commission
PO Box 47250
Olympia, WA 98504-7250

RE: Temporary Pressure Authorization for the Salishan Supply and the Pierce Transit Supply

Dear Mr. Lykken:

Pursuant to WAC 480-93-020, Puget Sound Energy (PSE) requests approval to temporarily operate the Salishan Supply and the Pierce Transit Supply at a pressure in excess of 250 psig but not to exceed 268 psig for a total of 48 hours within a 30 day period.

The Salishan HP Uprate Project is scheduled to be completed in August 2012. The purpose of the uprate project is to increase the Maximum Allowable Operating Pressure (MAOP) in the Salishan system from the current 150 psig to 250 psig. The increase in pressure will improve the capacity of the south Tacoma area, including the Pierce Transit system. Timing of this project is in part necessitated by a Washington Department of Transportation freeway project involving the I-5 bridge widening at Portland Street in Tacoma, which will require the rerouting of a portion of the Salishan system. The rerouting project will result in the Salishan system connecting directly to the North Tacoma Supply upstream of the existing North Tacoma Limit Station (LS-2661).

To ensure that the entirety of the Salishan system will be subjected to a pressure no less than 250 psig during the fourth and final incremental pressure increase and subsequent leak survey, the pressure of the Salishan Supply may need to be raised up to 268 psig. Pressures into the system during the final increment will be controlled using CNG injection. Best efforts, including time of day and possible curtailment of loads, will be taken to minimize the elevated pressure required to achieve a successful uprate. At no time will the pressure exceed 268 psig. PSE Gas Control will monitor system pressures continuously throughout the process and maintain direct communication with on-site Pressure Control personnel.

In addition to the Salishan Supply, piping in the Pierce Transit Supply may also experience elevated pressures during the final pressure increment.

Following completion of the uprate process, a leak survey will be conducted on all piping in the two systems impacted by this procedure.

All other connected supply systems will be isolated or regulated by either closing or throttling a valve as reflected in Appendix A.

The Salishan Supply consists of 6.1 miles of 8" HP main. The MAOP of the supply is currently limited to 150 psig which is the highest operating pressure between 1965 and 1970. The supply has been previously tested to a pressure that would qualify the system for 300 psig operation when each main segment was originally installed. The supply will be uprated from 150 psig to 250 psig in accordance with the written uprate plan.

The Pierce Transit Supply consists of approximately 3.5 miles of 6" HP main. Piping in the system was pressure tested in November 1999 to a pressure that would qualify the system for 268 psig operation. However, the MAOP of this system is limited by several components that are rated for 250 psig.

The two HP systems that are included in this request have a Design Factor less than 0.2 which exceeds the 0.4 factor for Class 4 locations per CFR 49 192.111.

Sincerely,

Cheryl McGrath,
Puget Sound Energy
Manager Gas Compliance and Regulatory Audits

Enclosures:

cc: Jennifer Tada
Duane Henderson

APPENDIX B - GENERAL INFORMATION

MAOP:

The MAOP of the two supplies that require a Temporary Pressure Authorization are shown in the table below:

Supply Name	Test Pressure Divided the Test Pressure Factor	Supply MAOP	MAOP Basis
Salishan Supply	300 psig	250 psig (after uprate)	Component Rating
Pierce Transit Supply	268 psig	250 psig	Component Rating

Pipe Specifications:

The pipe specifications for the two supplies that require a Temporary Pressure Authorization with the corresponding percentage of specified minimum yield strength at 250 psig and 268 psig are shown in the table below.

Material Specifications	% SMYS at 250 psig	% SMYS & 268 psig
<u>Salishan Supply</u>		
12" x 0.250" Gr.B	18.22%	19.53 %
8" x 0.322" X-42	7.98%	8.55 %
8" x 0.322" Gr.B	9.57%	10.26 %
8" x 0.188" X-42	13.66%	14.64 %
8" x 0.188" Gr.B	16.39%	17.57 %
4" x 0.237" Gr.B	6.79%	7.27 %
<u>Pierce Transit Supply</u>		
8" x 0.188" X-42	13.66%	14.64 %
6" x 0.280" Gr.B	8.46%	9.06 %
6" x 0.188" X-42	10.49%	11.25 %
6"x 0.188" Gr.B	12.59%	13.50%
2" x 0.154" Gr.B	5.51%	5.91 %
2" x 0.125" Gr.A-25	9.50%	10.19 %

Construction Details:

All construction conforms to Class 4 Standards. Pipe segments that were installed prior to CFR 192 establishment met the requirements of ASME/ASA B31.8 at the time of construction.

Cathodic Protection:

The Salishan Supply and the Pierce Transit Supply comply with the following Corrosion Control Standards:

- 2600.1000 Cathodic Protection Requirements
- 2600.1100 Field Coatings for Pipe and Fittings
- 2600.1200 Test Station Requirements
- 2600.1300 Designing and installing Cathodic Protection Systems
- 2600.1400 Electrical Isolation and Grounding Requirements
- 2600.1500 Monitoring Cathodic Protection
- 2600.1700 Monitoring and Remedial Measures for Internal Corrosion
- 2600.1900 Remedial Measures for Corrosion Control
- 2600.2000 Galvanic Installation Requirements

Coating:

The Salishan Supply and the Pierce Transit Supply were constructed in accordance with PSE/WNG Operating Standards. In accordance with applicable standards, an external field-applied coating shall be applied to the pipeline, any field joints, and fittings not supplied with protective coatings.

Testing:

All main segments for the Salishan Supply were strength tested to a pressure when divided by the appropriate test pressure factor (1.4 or 1.5) equals or exceeds 300 psig. Segments for the Pierce Transit were strength tested to 403 psig which divided by 1.5 equals to 268 psig.

Welding:

All welding and welding inspection for the Salishan Supply and the Pierce Transit Supply conformed with PSE/WNG Operating Standards.

Pressure Monitoring:

The Salishan Supply and the Pierce Transit Supply are monitored by remote telemetry units (RTUs). The RTUs poll system pressures every 3 seconds. The pressures will be monitored 24 hours a day in PSE's 24-Hour Operations Center.

Leakage Surveys:

Leakage survey has been conducted in accordance with PSE Gas Operating Standard 2625.1100, Leakage Survey Program. The Operating Standard requires leak surveys to be conducted annually (once every calendar year not to exceed 15 months) for supply mains operating at or above 250 psig and once every three calendar years not to exceed 39 months for supply mains operating above 60 psig but less than 250 psig.

In addition, each supply which will experience a pressure above 250 psig but below 268 psig as part of the Salishan Uprate will be surveyed before the uprate procedure begins and after the uprate procedure is complete.

A leakage survey was completed on the Salishan Supply and the Pierce Transit Supply on March 23rd, 2012. All identified leaks will be classified, monitored, and repaired as necessary in accordance with Gas Operating Standards 2625.1300, Leakage Action Program and 2575.2500, Uprating and Downrating Pipelines.

PUGET SOUND ENERGY

Salishan Uprate

Structures in Proximity of the Salishan and Pierce Transit Supplies

Count	Distance* (feet) of Structure From Gas Pipeline	Address	Land Use	Land Owner
1	22	1115 E 25TH ST	Commercial	Smithson Sparling Anderson LLC
2	23	1133-1299 E 25th St	Commercial	K & S Motels LLC
3	66	1221 E 26th St	Residential	Llewellyn, Rick L.
4	86	1211 E 26th St	Residential	Earl Lisa Lee Etal
5	87	1121 E 26th St	Commercial	Powell Richard E & Linda L
6	53	2617 E L St	Commercial	2617 E L St Partners LLC
7	66	2802 E L St Unit A B	Residential	Somerset LLC
8	93	1201 E 29th St	Residential	Shandrow Kelly B
9	91	1205 E 29th St	Residential	Ward Josephine L LT
10	91	1209 E 29th St	Residential	Ward Terry & Caldwell Gerald A
11	94	1211 E 29th St	Residential	Wendt Michael R
12	49	1213 E 29th St	Residential	Burris Bruce A
13	81	1215 E 29th St	Residential	McCarthy Timothy J
14	83	1219 E 29th St	Residential	Wilson Lee H & Laster John H
15	85	1221 E 29th St	Residential	Lake Deenita M Etal
16	90	1222 E 29th St	Residential	Gustas David T & Deborah L
17	50	2901 E M St	Residential	King-Talik Riley V & Miller Jason A
18	47	2907 E M St	Residential	Breck John H & Diane S
19	90	1217 E 30th St	Residential	Martinez David & Sportsman Rachel
20	93	3114 E M St	Residential	Wilson Lorraine L
21	34	3123 E M St	Residential	Drosta donald V & Robbie W Ware
22	81	3202 E M St	Residential	Wirkus John S
23	39	1301 E 34th St	Field	Destiny City Church
24	59	1223 E 34th St	Residential	Hansen Barbara J
25	32	3403 E M St	Residential	Glass Martin & Joyce L
26	31	3407 E M St	Residential	Meyer Peggy A & Kay W Haelle
27	35	3415 E M St	Residential	Franklin Shawna L
28	35	3417 E M St	Residential	Fleming Alfred B & Mami L
29	35	3421 E M St	Residential	Clark Timothy & Tina Pate
30	64	1224 E 34th St	Residential	Clark Richard E & Franki-Jo M
31	67	3414 E M St	Residential	Scearcy Carol E & Lannie L
32	56	3420 E M St	Residential	Scearcy Lonnie L & carol E
33	64	3424 E M St	Residential	Dickerman Harry W
34	64	3502 E M St	Residential	Gary Robert
35	47	3501 E M St	Residential	Gordon Ralph JR
36	49	3507 E M St	Residential	Sayavong Khammay
37	56	3509 E M St	Residential	Scheidt Drew L & Lynnette L
38	64	1223 E Harrison	Residential	KrayenBorg J A & K Ferrell
39	44	3517 E M St	Residential	Walters Dborah D
40	69	1115 E Division St	Field	Tacoma Sch Dist #10
41	34	1302 Harrison St	Residential	Kuhlman Kim S
42	67	1306 Harrison St	Residential	Rognaldson Kristen A
43	35	3521 E M St	Residential	Mullner Csaba & Eva K
44	39	3523 E M St	Residential	Buchanan Shelby c & Katie J
45	45	1302 E Morton St	Residential	Clymens gladys J
46	69	3538 E M St	Residential	Malloy Kevin M & Karla M
47	56	3562 E M St	Residential	Bauer Debra A & bauer John
48	57	3557 E M St	Residential	Ricard Fred K & Helen I
49	63	3566 E M St	Residential	Bzdel Christopher J & Kennedy emily
50	25	3561 E M St	Residential	Jackson Joan A
51	52	3568 E M St	Residential	Stanford Lorraine M
52	37	3565 E M St	Residential	Mcllrath Scott
53	60	3570 E M St	Residential	Muir Donald
54	54	3572 E M St	Residential	Hill T M & D M LaFontaine
55	33	3567 E M St	Residential	Dumas Julia M
56	46	3574 E M	Residential	Fidelity Group LLC
57	64	3575 E M St	Residential	Maxwell Helen D
58	50	3581 E M St	Residential	Tregoning Charisse H
59	59	3586 E M St	Residential	Carlson Andrew & Emelia J
60	48	3585 E M St	Residential	Jones S C & Carter David Etux & Jones J
61	35	3589 E M St	Residential	Balsam Micahel C
62	73	3588 E M St	Residential	Murphey John T
63	82	3592 E M St	Residential	Robbins robert M
64	66	3596 E M St	Residential	Schilling Rudolph & Elizabeth
65	63	3598 E M St	Residential	Alarcon Ederardo & Aurora
66	49	3602 E M St	Residential	Quimby Tommy J & James H Blackman
67	51	3618 E M St	Residential	Aaron Enterprises LLC
68	97	3620 E M St	Residential	Christofferson robert H & Jacki L
69	76	3630 E M St	Residential	Crawford Patrick D & Imelda Candio
70	61	3648 E M St	Residential	Davies Daniel P

*Distances measured from aerial maps

PUGET SOUND ENERGY					
Salishan Uprate					
Structures in Proximity of the Salishan and Pierce Transit Supplies					
Count	Distance* (feet) of Structure From Gas Pipeline		Address	Land Use	Land Owner
71	60		3652 E M St	Residential	Schreiner James
72	91		1211 E 38th St	Residential	Stephenson Jill L
73	38		1215 E 38th St	Residential	Hill Walter Jr & Rosa
74	28		1301 E 38th St	Residential	Perez Juan
75	72		1305 E 38th St	Residential	Matinez Roman
76	25		1302 E 38th St	Commercial	Tacoma Sch Dist #10
77	75		1216 E 40th St	Residential	Richardson Wm & Joann
78	84		1302 E 40th St	Residential	Anderson Remedios T & Anderson Latricia
79	78		1304 E 40th St	Residential	McDaniel Jin Hui
80	82		1310 E 40th St	Residential	Kaup Edward G & donna J G
81	67		1314 E 40th St	Residential	Delacruz victorina S
82	91		1320 E 40th St	Residential	Ordonez gonzolo A Jr
83	55		1351 E 40th St	Residential	Ortiz Francisco & Emergilda
84	86		4002 E N St	Residential	In Christida & Nom
85	75		4001 E N St	Residential	Le Troung Minh
86	47		1430 E 40th	Commercial	Diocese of Olympia Inc
87	89		1402 E 40th St	Residential	Ellis David E & Elisabeth A
88	72		1430 E 40th St	Residential	Landrie David M
89	74		1432 E 40th St	Residential	Johnson Shawn & Kelli J
90	72		1434 E 40th St	Residential	Ortiz Carlos
91	71		1440 E 40th St	Residential	Snook Mardelle J Tee
92	67		1431 E 40th St	Residential	Christian Apostolic Church
93	55		3912 Portland Ave	Commercial	QL LLC
94	59		4002 Portland Ave	Commercial	Lim Chhivlim & Kuon
95	72		4010 E Q St	Residential	Housing Auth Of Tacoma
96	72		4012 E Q St	Residential	Housing Auth Of Tacoma
97	72		4014 E Q St	Residential	Housing Auth Of Tacoma
98	68		4016 E Q St	Residential	Housing Auth Of Tacoma
99	100		4022 E Q St	Residential	Housing Auth Of Tacoma
100	67		4102 E Q St	Residential	Housing Auth Of Tacoma
101	67		4122 E Q St	Residential	Housing Auth Of Tacoma
102	67		4202 E Q St	Residential	Housing Auth Of Tacoma
103	99		4210 E Q St	Residential	Housing Auth Of Tacoma
104	70		4220 E Q St	Residential	Housing Auth Of Tacoma
105	69		4310 & 4312 E Q St	Residential	Housing Auth Of Tacoma
106	67		4314 E Q St	Residential	Housing Auth Of Tacoma
107	65		4330 E Q St	Residential	Housing Auth Of Tacoma
108	63		4344 E Q St	Residential	Housing Auth Of Tacoma
109	94		4350 E Q St	Residential	Housing Auth Of Tacoma
110	57		4358 E Q St	Residential	Housing Auth Of Tacoma
111	99		4360 E Q St	Residential	Housing Auth Of Tacoma
112	48		4372-4376 E Q St	Residential	Housing Auth Of Tacoma
113	66		4410-4412 E Q St	Residential	Tacoma Housing Authority
114	68		4414 E Q St	Residential	Tacoma Housing Authority
115	67		4428 E Q St	Residential	Tacoma Housing Authority
116	54		4420 Portland Ave	Commercial	East Side Community Church
117	60		4442 E Q St	Residential	Tacoma Housing Authority
118	98		4450 E Q St	Residential	Tacoma Housing Authority
119	62		4456 E Q St	Residential	Tacoma Housing Authority
120	97		4460 E Q St	Residential	Tacoma Housing Authority
121	61		4470-4472 E Q St	Residential	Tacoma Housing Authority
122	64		4478-4480 E Q St	Residential	Tacoma Housing Authority
123	61		4482-4486 E Q St	Residential	Tacoma Housing Authority
124	82		1429 E 46th St	Residential	ABI Group LLC
125	69		1429 E 46th St	Residential	ABI Group LLC
126	80		4610 Portland Ave	Residential	Ulloa Abel & Maria A
127	72		5002 Portland Ave	Commercial	Pouge Walter W
128	83		5020 Portland Ave	Residential	Christian Melvinie
129	61		5119 Portland Ave	Residential	U S Housing Project 45014
130	77		1427 & 1429 E 52nd St	Residential	Hall Michael R
131	48		1430 E 52nd St	Residential	Tong Yuk Chi
132	28		1801 E 56th St	Field	Tacoma School Dist # 10
133	76		5212 E Portland Ave	Residential	Trujillo-Ramirez Juan G
134	80		5218 E Portland Ave	Residential	Perez Ramon
135	75		5302 Portland Ave	Residential	Bolte Paul & Tamilyn
136	75		5308 Portland Ave	Residential	Bolte Paul & Tamilyn
137	71		5314 Portland Ave	Commercial	Pilgrim Rest Baptist Church
138	76		5402 Portland Ave	Residential	Turner Donna M
139	73		5408 Portland Ave	Residential	Carpetto Carlo
140	75		5414 Portland Ave	Residential	Stryczek Wieslaw & Judy

*Distances measured from aerial maps

PUGET SOUND ENERGY

Salishan Uprate

Structures in Proximity of the Salishan and Pierce Transit Supplies

Count	Distance* (feet) of Structure From Gas Pipeline	Address	Land Use	Land Owner
141	70	1427 E 55th St	Residential	Lopez Mireya
142	75	1428 E 55th St	Residential	Paulin Pamela M
143	82	5508 Portland Ave	Residential	Nguyen Hung Anh & Ngoc-Linh T
144	61	5601 PORTLAND AV	Commercial	BAEK PETER S & JANE K
145	59	5604 E PORTLAND AV UNIT A-F	Commercial	BAEK STEVE C & CINDY
146	99	5612 E PORTLAND AV	Residential	LEI JIANGONG
147	60	5613 PORTLAND AV	Residential	MARSHALL THOMAS A & KATHY J
148	60	5617 PORTLAND AV	Residential	NARAYAN RICHARD S
149	58	5801 PORTLAND AV	Residential	SULLIVAN RANSE
150	56	5807 PORTLAND AV	Residential	SMITH TONY D TTEE
151	23	5815 PORTLAND AV	Residential	LO BUNRITH & KETH CHANTHOEUN
152	66	1605 E 59TH ST	Residential	CITY OF TACOMA HOUSING AUTH
153	59	5901 PORTLAND AV	Residential	POUGE WALTER W
154	59	1430 E 59TH ST	Residential	JORDAN SCHAWANA N
155	62	1429 E 60TH ST	Residential	BRAGGS JOEL W & GLORIA J
156	36	5921 PORTLAND AV	Residential	BERTHIAUME LEON C & G J IVERSON
157	34	5927 PORTLAND AV	Residential	MCKEE JAMES E
158	33	6007 PORTLAND AV	Residential	REMY CLAUDE A & CLAIRE L SPAIN-
159	71	6024 PORTLAND AV	Residential	CRASHUL JAMES
160	39	6013 PORTLAND AV	Residential	WILSON EVELYN
161	61	1428 E 61ST ST	Residential	PEREZ CARMEN
162	32	1602 E 61ST ST	Residential	WILLIS WALTER J
163	27	6109 PORTLAND AV	Residential	SAVELLANO ROLAND J
164	86	6120 PORTLAND AV	Residential	FAIN RENATE B
165	38	6111 E PORTLAND AV	Residential	MILLER SUE E
166	32	6115 PORTLAND AV	Residential	EDWARDS JANET M
167	70	1424 E 62ND ST	Residential	BLACKBURN STEPHEN
168	40	6201 PORTLAND AV	Residential	FLOYD R EARL & BETTY
169	25	6203 PORTLAND AV	Residential	YBARRA ANGELA C
170	68	6216 PORTLAND AV	Residential	PRATT KEVIN H & BRANDIE J
171	73	6220 PORTLAND AV	Residential	MORRIS THOMAS J & MARLENE K
172	89	6215 PORTLAND AV	Residential	ALFIN EVERARDO & TALLUNGAN L L E
173	83	6223 E PORTLAND AV	Residential	WILLOW REAL ESTATE LLC
174	71	6302 PORTLAND AV	Residential	CHAY BRIAN ET UX & PHOK BRIAN ET U
175	67	6310 PORTLAND AV	Residential	IRWEDO MARGARET & DEIBERT SHAR
176	24	1602 E 63RD ST	Residential	TALLUNGAN PABLO L & NIDA
177	59	1608 E 63RD ST	Residential	SANDOVAL MARIO
178	66	1429 E 64TH ST	Residential	SCHEFF TRAVIS
179	30	6317 PORTLAND AV	Commercial	WOODS DOLORES
180	85	1607 E 64TH ST	Residential	WHITNEY FAMILY TRUST
181	73	6410 PORTLAND AV	Commercial	PORTLAND AVE EVANG FREE CH
182	34	6417 PORTLAND AV	Residential	JOHNSON CLARENCE C & JIMMIE
183	29	6501 PORTLAND AV	Residential	O'NEIL JESSE
184	25	6515 PORTLAND AV	Residential	BELL CLARENCE & KATHLEEN MRS
185	81	6502 PORTLAND AV	Residential	GENNRICH VICKY J
186	94	6510 PORTLAND AV	Residential	THOMAS KRISTOPHER MICHAEL
187	87	6514 PORTLAND AV	Residential	SMITH CHRISTOPHER W & TARA E
188	85	6518 PORTLAND AV	Residential	CHAN SOKHON
189	37	1602 E 66TH ST	Residential	NGUYEN TUNG ANH
190	86	1608 E 66TH ST	Residential	LY DU VAN & NGUYEN THU-CUC THI
191	57	6615 PORTLAND AV	Commercial	LIVE OAK BAPTIST CHURCH
192	100	6604 PORTLAND AV	Residential	KONG OU
193	81	6610 PORTLAND AV	Residential	ALLEN NETTIE L
194	81	6620 PORTLAND AV	Residential	NOVOTNEY LOIS A TTEE
195	28	6651 PORTLAND AV	Residential	REYES-ZUNIGA ALEJANDRO
196	27	6655 PORTLAND AV	Residential	FIDELITY GROUP LLC
197	24	6659 PORTLAND AV	Residential	ENSLow SARAH
198	23	6663 PORTLAND AV	Residential	BONHAM TODD H & DEBORAH ANNE
199	84	6702 PORTLAND AV	Residential	BANINASOR VALRI F & OSAID H
200	25	6701 PORTLAND AV	Residential	HING RAY & SREYRATH
201	87	6710 PORTLAND AV	Residential	BARNA F G
202	94	1609 TO 1621 E 68TH ST	Commercial	CHERRY ORCHARDS LLC
203	44	6811 PORTLAND AV	Residential	STAFFORD SUE
204	98	7047 PORTLAND AV	Residential	WINGS CATHYJO JULY
205	83	7051 PORTLAND AV	Residential	ROWE WILLIAM T JR & NANCY K
206	89	7055 PORTLAND AV	Residential	TRAN CHANH VAN & NGUYEN BICH
207	24	1601 E 72ND ST	Commercial	JOHNSBOROUGH STATION LLC
208	34	1430 E 72ND ST	Commercial	TEXACO REFINING & MARKETING INC
209	81	7201 PORTLAND AV	Commercial	O COMPREHENSIVE PROP TAX SERVIC
210	88	1624 72ND ST E	Commercial	SAFEWAY INC #1436

*Distances measured from aerial maps

PUGET SOUND ENERGY

Salishan Uprate

Structures in Proximity of the Salishan and Pierce Transit Supplies

Count	Distance* (feet) of Structure From Gas Pipeline	Address	Land Use	Land Owner
211	61	7418 PORTLAND AV	Commercial	WRIGHT WRIGHT & WRIGHT
212	92	1707 74TH STCT E	Commercial	PIERCE COUNTY HOUSING AUTHORITY
213	65	7503 PORTLAND AV UNIT 1	Commercial	LANCASTER ASSOCIATES LLC
214	63	7511 PORTLAND AV UNIT 6	Commercial	LANCASTER ASSOCIATES LLC
215	89	7517 PORTLAND AV	Commercial	TOGA PROPERTIES LLC
216	94	7623 PORTLAND AV	Residential	THAYER ELAINE O
217	37	7704 PORTLAND AV	Residential	ANDERSON LEONA F
218	62	7718 PORTLAND AV E	Commercial	MILLER JEROLD A & RONDI M
219	80	7812 PORTLAND AV	Commercial	MT TAHOMA HOLINESS CHAPEL
220	94	7814 PORTLAND AV E	Residential	SEA SIAOSI & SEUTIAMUA
221	68	1609 80TH ST E	Residential	PADDOCK CARL W
222	54	1515 80TH ST E	Commercial	MUELLER HOBART C & PENNY M
223	61	8002 PORTLAND AV	Commercial	RIIPPI DENISE L
224	74	1514 E 80TH ST	Residential	DENTINGER SHIRLEY M
225	66	1501 E 80TH	Commercial	MUELLER HOBART C & PENNY M
226	86	1508 E 80TH ST	Residential	ARTIS DAVID E & BEVERLY M
227	83	8004 14TH AVCT E	Residential	SCOTT DAREL L & DEANNE M
228	89	1416 E 80TH ST	Residential	LOWRY KATHRYN A
229	76	8001 14TH AV E	Residential	EMMONS KAREN S
230	44	1317 E 80TH	Residential	SORENSEN JOHN & BEVERLY
231	64	1305 E 80TH	Residential	SORENSEN JOHN
232	59	1203 E 80TH ST	Residential	THOMPSON DENNIS R
233	53	8002 12TH AV E	Residential	BLAIR FRANK S & CAROL JONES
234	22	7922 12TH AV E	Residential	LONG ROBERT
235	58	7918 12TH AV E	Residential	GROVER HELGA E
236	86	1125 E 80TH	Residential	LUCAS TERRY R ETUX
237	80	1112 E 80TH E	Residential	GRIMM JOHN C JR
238	47	7919 TO 7921 GOLDEN GIVEN	Residential	KDEP BRENDIA
239	70	8002 GOLDEN GIVEN RD E	Residential	PERI CHARLES & GRIMM BRYAN
240	74	8005 GOLDEN GIVEN RD	Residential	GODELL JEFFREY R
241	56	8016 GOLDEN GIVEN RD	Residential	WESTBY TERENCE W & KAREN J
242	58	8104 GOLDEN GIVEN RD E	Residential	CREST BUILDERS INC
243	80	8113 GOLDEN GIVEN RD E	Residential	PHAM THONG & TRANG THU TRAN
244	84	8119 GOLDEN GIVEN	Residential	AREND SANDY K
245	52	8124 GOLDEN GIVEN RD E	Residential	CREST BUILDERS INC
246	91	8121 GOLDEN GIVEN RD E	Residential	FERGUS DOUGLAS B
247	51	8310 GOLDEN GIVEN RD	Residential	MARTIN ANDREW & ANTONETTE J TTEE
248	39	8316 TO 8318 GOLDEN GIVEN	Residential	REGENT PROPERTIES LLC
249	52	8324 GOLDEN GIVEN RD	Residential	DELAVERGNE STEPHANIE A
250	46	8404 GOLDEN GIVEN RD	Residential	KEN SOEURN & HOY SOKONG
251	93	8403 GOLDEN GIVEN RD E	Residential	KENNEDY VIRGINIA I TTEE
252	97	8413 GOLDEN GIVEN RD	Residential	KENNEDY VIRGINIA I TTEE
253	51	8418 GOLDEN GIVEN RD	Residential	BENTLEY ADELIN J
254	18	8502 GOLDEN GIVEN RD E	Commercial	KIM DONG CHANG & HUI OK
255	71	8501 GOLDEN GIVEN RD E	Residential	PATRICK ROBERT E & KAREN E
256	32	8510 GOLDEN GIVEN RD	Residential	BESHALER MARIAN D
257	38	8518 GOLDEN GIVEN RD	Residential	SMITH PATRICIA A
258	53	8608 GOLDEN GIVEN RD	Residential	MOM THOMAS T & PAO LY
259	48	8710 GOLDEN GIVEN RD	Residential	SPRAGG DENNIS A
260	93	8801 GOLDEN GIVEN	Residential	HENNINGS DAVID L & DEBORAH L
261	70	8804 GOLDEN GIVEN RD	Residential	ROBERTS SHARI L
262	93	1103 88TH STCT E	Residential	LYNN DUSTIN N
263	76	1102 88TH STCT E	Residential	SOK YET & KIM SOPHON
264	37	8828 GOLDEN GIVEN RD	Residential	SELF DOLORES
265	37	1002 90TH ST E	Residential	THIM PHEANN & CHIM YARN
266	42	2010 GOLDEN GIVEN RD E	Residential	VO HONG PHUOC THI & NU VAN HUYNH
267	60	9012 GOLDEN GIVEN RD	Residential	ETSE VYGOTTSY B & GENEVIEVE
268	40	9016 GOLDEN GIVEN RD E	Residential	THAN SOPHAL
269	40	9018 GOLDEN GIVEN RD E	Residential	ANG CHHAN KHAN & HILLE KEO/ERIC
270	35	9022 GOLDEN GIVEN RD	Residential	SON THANH N
271	37	9024 GOLDEN GIVEN RD E	Residential	CHHITH SOMBATH & CHHITH VOERN
272	49	9034 GOLDEN GIVEN RD E	Residential	DELVECCHIO TODD A & DAWNYA
273	89	9027 GOLDEN GIVEN RD	Residential	FEAR EUGENE H
274	40	9104 GOLDEN GIVEN RD E	Residential	JTSCHKE BANK NATIONAL TRUST CO T
275	89	9103 GOLDEN GIVEN	Residential	SUMMERS D J & C
276	38	9114 GOLDEN GIVEN RD E	Residential	KIM ANDY
277	77	9120 GOLDEN GIVEN RD E	Residential	HARTMAN DAVID L & N K BORDERS
278	93	9121 GOLDEN GIVEN	Residential	CARRIER KRISTINE & MUSTIN DEMIKO
279	51	9128 GOLDEN GIVEN RD	Residential	BURTRON NATHAN S
280	69	9125 GOLDEN GIVEN	Residential	THOMPSON JACK L

*Distances measured from aerial maps

PUGET SOUND ENERGY

Salishan Uprate

Structures in Proximity of the Salishan and Pierce Transit Supplies

Count	Distance* (feet) of Structure From Gas Pipeline	Address	Land Use	Land Owner
281	45	9136 GOLDEN GIVEN RD E	Residential	JONAS MARCELLA K
282	76	9135 GOLDEN GIVEN RD E	Residential	KINGSLEY DONALD & JULIE M
283	67	9308 GOLDEN GIVEN RD	Residential	LORANCE FRANKLIN D & GENEVIEVE C
284	85	9305 GOLDEN GIVEN	Residential	ELAR JOSE & FLORES GLORIA & VELO
285	44	9316 GOLDEN GIVEN RD E	Residential	HART MARY J
286	67	9329 GOLDEN GIVEN RD E	Residential	DI RE FAMILY L P
287	42	9332 GOLDEN GIVEN RD E	Residential	RYKHUS ELIZABETH A & ROBERT A
288	81	9343 GOLDEN GIVEN RD	Residential	DI RE JOE
289	43	9334 GOLDEN GIVEN RD E	Residential	WHITLOCK HOWARD O
290	59	9340 GOLDEN GIVEN RD	Residential	WHITLOCK HOWARD O
291	32	9401 10TH AVCT E	Residential	9401 10TH AVENUE CT E LAND TRUST
292	76	9407 GOLDEN GIVEN RD	Residential	IM UN KYONG & HYOUNG J
293	27	9405 10TH AVCT E	Residential	TITH NARITH & TERI Y
294	27	9409 10TH AVCT E	Residential	WILLIAMS PERCY A & GERALD D
295	78	9411 GOLDEN GIVEN	Residential	BORRIS STEVEN J & PERMPOOL
296	30	9503 10TH AVCT E	Residential	NGUYEN TOHA T
297	30	9511 10TH AVCT E	Residential	SYLVESTER JR HARRIS & SHARON
298	89	9505 GOLDEN GIVEN RD	Residential	NDERSON LAWRENCE A & DEBORAH I
299	35	9515 10TH AVCT E	Residential	MORLEY DAVID J
300	70	9517 GOLDEN GIVEN RD	Residential	GRIMM GARY L & CONNIE R
301	63	9515 10th Ave CT E	Residential	Morley David
302	66	9516 10th Ave CT E	Residential	Nomg Phyrine & Chanthon Khiev
303	35	9604 Golden Given Rd E	Residential	Williams David L & Julie
304	66	9519 10th Ave E	Residential	Karcha Miroslav & Valentina
305	67	964 96th St E	Residential	Hadsel Eric L & Kye S
306	67	920 E 96th st	Residential	Reed Artie Donna M
307	86	901 96th St E	Residential	McDonald Judy
308	59	906 96th St E	Residential	Reed Artie Donna M
309	75	824 96th St E	Residential	Roberts Katherine A
310	54	820 96th St E	Residential	Pusich-Silas Joann
311	67	9607 McKinley Ave E	Residential	Leon-Lemus Veronica
312	78	601 E 96th St	Residential	Tsapralis Nancy
313	79	515 E 96th St	Residential	Tsapralis Nancy F & Tspralis Anastasia
314	99	602 96th St E	Residential	La Faive Kenneth E & Patricia
315	90	617 E 96th St	Residential	Regnier Wayne E & J M Burk, TTEE
316	82	511 e 96th St	Residential	Quackenbush Shirley F
317	83	507 E 96th St	Residential	Ellington John S
318	61	9535 E E St	Residential	Hines William G Jr & Becky A
319	80	9536 E E St	Residential	Iverson Kathy Ann
320	52	416 E 96th St	Residential	Slater Betty L
321	59	408 E 96th St	Residential	Paananen Paul A & Paananen Earl D
322	28	402 E 96th St	Residential	Nelson Dale W & Arlene H
323	29	402 3 96TH ST	Residential	NELSON DALE W & ARLENE H
324	99	318 E 96TH ST (SOUTH BUILDING)	Commercial	NAGY RALPH E
325	12	318 E 96TH ST (NORTH BUILDING)	Commercial	NAGY RALPH E
326	51	9436 E D ST (EAST BUILDING)	Residential	BREDESON RONALD W
327	94	9436 E D ST (WEST BUILDING)	Residential	BREDESON RONALD W
328	68	312 E 96TH ST	Residential	BURNS JAMES E & JENNIFER D
329	76	321 E 96TH ST	Residential	SHERWOOD ROBERT & MILDRED
330	72	319 E 96TH ST	Residential	CORTEZ ANTONIA
331	86	304 E 96TH ST (EAST BUILDING)	Residential	JACOBS CHERYLNN L LIVING TRUST
332	41	304 E 96TH ST (WEST BUILDING)	Residential	JACOBS CHERYLNN L LIVING TRUST
333	65	313 E 96TH ST	Residential	BLANCHARD CHARLES & LORI
334	38	220 E 96TH ST (EAST BUILDING)	Residential	GLASGOW TOM & GLASGOW JERROLD
335	92	220 E 96TH ST (SOUTH BUILDING)	Residential	GLASGOW TOM & GLASGOW JERROLD
336	33	208 E 96TH ST	Residential	O MAN JIN
337	33	204 E 96TH ST	Residential	NELSON DALE W & ARLENE H
338	93	205 E 96TH ST (WEST BUILDING)	Commercial	ALL SAINTS EPISCOPAL CHURCH
339	81	125 E 96TH ST	Commercial	KOREAN WOMEN'S ASSOCIATION
340	32	116-118 96TH ST E (EAST BUILDING)	Residential	FAISON ROBERT S
341	34	116-118 96TH ST E (WEST BUILDING)	Residential	FAISON ROBERT S
342	64	117 E 96TH ST	Residential	NOBLE CHARLES E & MENA
343	62	115 E 96TH ST	Residential	LORD-NELSON B LIVING TRUST
344	74	101 E 96TH ST	Residential	LORD-NELSON B LIVING TRUST
345	78	108 96TH ST S (EAST BUILDING)	Residential	MORRIS BRUCE E
346	39	108 96TH ST S (WEST BUILDING)	Residential	MORRIS BRUCE E
347	39	104 96TH ST S (EAST BUILDING)	Residential	LEE DAMIAN C
348	100	104 96TH ST S (SOUTH BUILDING)	Residential	LEE DAMIAN C
349	52	104 96TH ST S	Residential	HOPKINS ROBERTA J
350	28	112 96TH ST S	Residential	DOUB DENNIS L & PAULA R

*Distances measured from aerial maps

PUGET SOUND ENERGY

Salishan Uprate

Structures in Proximity of the Salishan and Pierce Transit Supplies

Count	Distance* (feet) of Structure From Gas Pipeline	Address	Land Use	Land Owner
351	24	124 96TH ST S	Residential	AGUIRRE-PISENO MELANY
352	80	101 96TH ST S (EAST BUILDING)	Commercial	FAITH EVANGELICAL LUTHERAN
353	98	101 96TH ST S (WEST BUILDING)	Commercial	FAITH EVANGELICAL LUTHERAN
354	93	122 96TH ST S (WEST BUILDING)	Residential	BROWN DAVID M II
355	24	122 96TH ST S (EAST BUILDING)	Residential	BROWN DAVID M II
356	87	133 96TH ST S	Commercial	EATON RON & GINA
357	27	9601 PACIFIC AVE	Commercial	U-HAUL REAL ESTATE CO
358	78	9433 PACIFIC AVE	Commercial	TD/TD PROPERTIES
359	63	9602 PACIFIC AVE (EAST BUILDING)	Commercial	NELSON DOROTHY E
360	63	9602 PACIFIC AVE (WEST BUILDING)	Commercial	NELSON DOROTHY E
361	24	214 96TH ST S	Residential	NELSON DOROTHY E
362	27	224 96TH ST S	Residential	ANDREWS JACK & CASEY SUSAN
363	81	239 S 96TH ST	Residential	HART JANICE
364	49	244 96TH ST S (EAST BUILDING)	Residential	SHAW DEBBIE
365	62	244 96TH ST S (WEST BUILDING)	Residential	SHAW DEBBIE
366	43	246 96TH ST S	Residential	KING GARY S & LINDA L
367	38	250 96TH ST S	Residential	JAHNER MICHAEL & MARY
368	98	411 96TH ST S	Residential	STONE BRIAN R & HOLLIE M
369	59	402 96TH ST S	Residential	HUBCHEN ANDREW S & LINDA M
370	95	413 96TH ST S	Residential	ATKINSON PATRICIA & LAMONT
371	7	410 96TH ST S	Residential	DAIT JAIME R
372	98	9441 S FAWCETT AVE	Residential	FAISON FREDERICK
373	97	9442 S FAWCETT AVE	Residential	CLARK VIRGINIA M
374	93	505 S 96TH ST	Residential	STARR RONALD J & AMIE M
375	46	440 96TH AVE S	Residential	CARROL JOHN M
376	34	442 96TH AVE S	Residential	BLEASDALE BEVERLY
377	38	444 96TH AVE S	Residential	WILKIE VIOLET & NAPOLEON A III
378	77	9439 TACOMA AVE S	Residential	DEARMAN JEREMY J
379	77	9440 TACOMA AVE S	Residential	LIN SOKHARACKVUTEY P
380	39	620 96TH ST S	Residential	TOOHEY KEVIN M ET AL
381	80	701 S 96TH ST	Residential	JENSEN DARLA
382	42	702 96TH ST S	Residential	RICE ERIC A
383	96	9449 PARK AVE S	Commercial	HAUETER BRANDON
384	59	9607 PARK AVE S	Commercial	FERNENDING MICHAEL T
385	29	9602 S PARK AVE	Residential	ARMENTA JOSEPH S
386	82	9448 S PARK AVE	Residential	MILNER MATTHEW A & TIFFANY
387	100	760 S 96TH ST (SOUTH BUILDING)	Residential	BOLAN PATRICK K & PAMELA M
388	35	760 S 96TH ST (EAST BUILDING)	Residential	BOLAN PATRICK K & PAMELA M
389	79	761 S 96TH ST	Residential	LOHMAN WILLIAM J
390	32	766 S 96TH ST	Commercial	OSBORNE MICHAEL R
391	81	9445 S YAKIMA AVE	Residential	REICHERT LINDA S
392	98	803 S 96TH ST	Residential	MATEO GODOFREDO
393	82	804 S 96TH ST	Residential	GROVES MELVIN & NANCY
394	96	815 S 96TH ST	Residential	GROSPE MARIA
395	58	816 96TH ST S (EAST BUILDING)	Residential	GROVES MELVIN & NANCY
396	17	816 96TH ST S (WEST BUILDING)	Residential	GROVES MELVIN & NANCY
397	38	820 S 96TH ST	Residential	GROVES MELVIN & NANCY
398	94	823 S 96TH ST	Residential	SMYCZYNSKI BOGDAN W & SABRINA
399	84	824 S 96TH ST (SOUTH BUILDING)	Residential	ALTIG ROSE J
400	20	824 S 96TH ST (NORTH BUILDING)	Residential	ALTIG ROSE J
401	96	827 S 96TH ST	Residential	MAEA FALANIKO S & PEPE
402	75	843 S 96TH ST	Residential	DUNLAP WILLIAM L SR
403	34	9602 BARNES LN S	Residential	PIERCE COUNTY HOUSING AUTHORITY
404	93	901 S 96TH ST	Residential	CALHOUN KAZUKO
405	92	907 S 96TH ST	Residential	NORNG VICHAT
406	40	918 S 96TH ST	Residential	JOHNSON STEVEN P & PRISCILLA
407	96	911 S 96TH ST	Residential	CHAVEZ-MANZANO HUGO A & GLENDA
408	100	915 S 96TH ST	Residential	NGUYEN THIEU VAN & BICH PHUONG
409	96	919 S 96TH ST	Residential	MALDONADO MARIO
410	47	1002 S 96TH ST	Residential	TOLLEFSON HERBERT C
411	68	1011 S 96TH ST (S SHED)	Residential	MEDLEY STEPHEN W
412	30	1008 96TH ST S	Residential	PHILLIPS MONIKA M & FLOYD GEORGE
413	71	1017 S 96TH ST	Residential	GILLESPIE BILLY E SR & AMERIS I
414	30	1012 S 96TH ST	Residential	RAY JORY D & AMANDA M
415	85	9442 S K ST	Residential	DOTY FELICIA R M
416	39	1106 S 96TH ST	Residential	SON KHIEH
417	92	1101 S 96TH ST	Residential	BUGAY ROBERT F & JUDITH A
418	83	1113 S 96TH ST	Residential	COOLEY LEROY E
419	46	1150 96TH ST S	Residential	B & A PROPERTY MGT LLC
420	49	1202 S 96TH ST	Residential	VU HOANG

*Distances measured from aerial maps

PUGET SOUND ENERGY					
Salishan Uprate					
Structures in Proximity of the Salishan and Pierce Transit Supplies					
Count	Distance* (feet) of Structure From Gas Pipeline	Address	Land Use	Land Owner	
421	89	1311 S 96TH ST	Residential	SRID SREEUY & MAY SAR	
422	98	1313 S 96TH ST	Residential	KNEBEL PAUL & SANDY	
423	62	1216 S 96TH ST	Commercial	KOREAN R. PRESBYTERIAN CHURCH	
424	29	9604 13TH AVCT S	Residential	LAMBERTSON GARY & CONNIE M	
425	90	1321 S 96TH ST (EAST BUILDING)	Residential	WHITE CRAIG L & CHERYL D	
426	94	1321 S 96TH ST (WEST BUILDING)	Residential	WHITE CRAIG L & CHERYL D	
427	29	1320 S 96TH ST	Residential	GISH WAYNE D & LISA R	
428	78	1325 S 96TH ST	Residential	WHITE CRAIG L & CHERYL D	
429	88	9609 SHERIDAN AV S	Residential	CARPENTER DEAN M & MICHELLE A	
430	94	1329 S 96TH ST	Residential	WITHAM BRUCE	
431	86	9514 S SHERIDAN AVE	Residential	RYSER-WARRICK LORIETT	
432	44	1402 96TH ST S (BUILDING)	Residential	KOTNIK CINDY L	
433	66	1402 96TH ST S (SHED)	Residential	KOTNIK CINDY L	
434	66	1406 96TH ST S (SHED)	Residential	STONEBURNER PATTIE L	
435	41	1406 96TH ST S (BUILDING)	Residential	STONEBURNER PATTIE L	
436	74	1410 96TH ST S	Residential	KARPMAN STEVEN R	
437	64	1415 S 96TH ST	Residential	HYDE DENNIS	
438	47	1416 96TH ST S (HOUSE)	Residential	TRUMMERT BRENT	
439	41	1416 96TH ST S (SHED)	Residential	TRUMMERT BRENT	
440	35	1426 96TH ST S	Residential	AYERS MICHAEL JR & TRICA T	
441	37	1432 96TH ST S	Residential	DAO DUNG B & HOANG LIEN-HUANG T	
442	77	1438 96TH ST S (BUILDING)	Residential	WHITE JODY L & LUCRECIA M	
443	24	1438 96TH ST S (BUILDING)	Residential	WHITE JODY L & LUCRECIA M	
444	65	1433 S 96TH ST	Residential	KAATZ TROY A	
445	76	1437 S 96TH ST	Residential	HARRIS JENNIE M	
446	28	1442 96TH ST S	Residential	PENDLETON KIRK & LAURAINA A	
447	64	1443 S 96TH ST	Residential	HODGES FAMILY LLC	
448	89	1609 S 96TH ST	Residential	JONES LAWRENCE & CLASSIE M	
449	78	1601 S 96TH ST S	Residential	SALLEE PAUL H	
450	87	1605 S 96TH ST	Residential	DUNSTAN MICHAEL & PATRICIA L	
451	30	1601 96TH STCT S	Residential	TMY MANAGEMENT LLC	
452	53	1609 96TH STCT S	Residential	NEFF GUY C & MCNETT GLORIA	
453	85	1611 S 96TH ST	Residential	LEONOR ISIDRO L	
454	84	1617 S 96TH ST	Residential	LY NHIN & NGO LIEU B	
455	87	1627 S 96TH ST	Residential	ZAJAC ANTHONY	
456	44	9606 16TH AVE S	Residential	BATES DOUGLAS W	
457	84	1631 S 96TH ST	Residential	BELL DIANA	
458	71	1640 96TH ST S	Residential	WELFRINGER MARCIAN	
459	80	1639 S 96TH ST	Residential	BOBMAN STEVE & TACKETT MONTE	
460	65	1645 S 96TH ST	Residential	WELLS FAMILY TR	
461	85	1705 S 96TH ST	Residential	IDE WILLIAM C ETUX	
462	46	1713 S 96TH ST	Residential	PHAM TUAN A & PHAM QUAN A ETAL	
463	65	1720 96TH ST S (EAST BUILDING)	Residential	GERRITZ ROBERT L & DIANE B TTEE	
464	98	1720 96TH ST S (WEST BUILDING)	Residential	GERRITZ ROBERT L & DIANE B TTEE	
465	85	1717 S 96TH ST	Residential	CHUNG LEE J & SOOK	
466	85	1721 S 96TH ST	Residential	GRATITUDE HOUSE LLC	
467	70	1751 S 96TH ST (HOUSE)	Residential	HARRIS GERALD	
468	97	1761 S 96TH ST	Residential	WILLIAMS ROBERT T & HUYNH THUY	
469	93	1765 S 96TH ST	Residential	HALITI SAMET & SADIE	
470	92	1769 S 96TH ST	Residential	TRUONG ANA & PHAN MAN T	
471	85	1771 S 96TH ST	Residential	NGUYEN KHANH & KIM PHUONG HUYNH	
472	53	1802 S WOODLAND GLEN DR	Residential	HIGHOLT ERICA E	
473	58	1812 S WOODLAND GLEN DR	Residential	KIM PATTI	
474	41	9615 18TH AVE S (BUILDING G)	Commercial	LAKESHORE APARTMENTS LLC	
475	81	9615 18TH AVE S (BUILDING C)	Commercial	LAKESHORE APARTMENTS LLC	
476	72	9615 18TH AVE S (BUILDING B)	Commercial	LAKESHORE APARTMENTS LLC	
477	81	9615 18TH AVE S (BUILDING A)	Commercial	LAKESHORE APARTMENTS LLC	
478	91	9524 S ASH ST	Residential	KIM PATTI	
479	84	1902 S 96TH ST	Commercial	PIERCE CO FACILITIES MANAGEMENT	
480	70	1910 S 96TH ST	Commercial	DEUTSCHER ALLEN & MARIJKE M	
481	56	2015 S 96TH ST (EAST BUILDING)	Commercial	HOKOLD SQUARE	
482	57	2015 S 96TH ST (WEST BUILDING)	Commercial	HOKOLD SQUARE	
483	96	2102 S 96TH ST	Commercial	TACOMA CARE LLC	
484	60	9517 S STEELE ST (STORE)	Commercial	SOUTHLAND EMPLOYEES TRUST	
485	42	9517 S STEELE ST (GAS STATION)	Commercial	SOUTHLAND EMPLOYEES TRUST	
486	43	2213 S 96TH ST	Commercial	CHERRY CREEK APARTMENTS	
487	50	2206 S 96TH ST	Commercial	UNYI LLC	
488	28	2222 96TH ST SW	Commercial	HOKOLD OSCAR T	
489	84	2325 96TH ST (EAST BUILDING)	Commercial	CHERRY CREEK APARTMENTS	
490	76	2325 96TH ST (EAST BUILDING)	Commercial	CHERRY CREEK APARTMENTS	

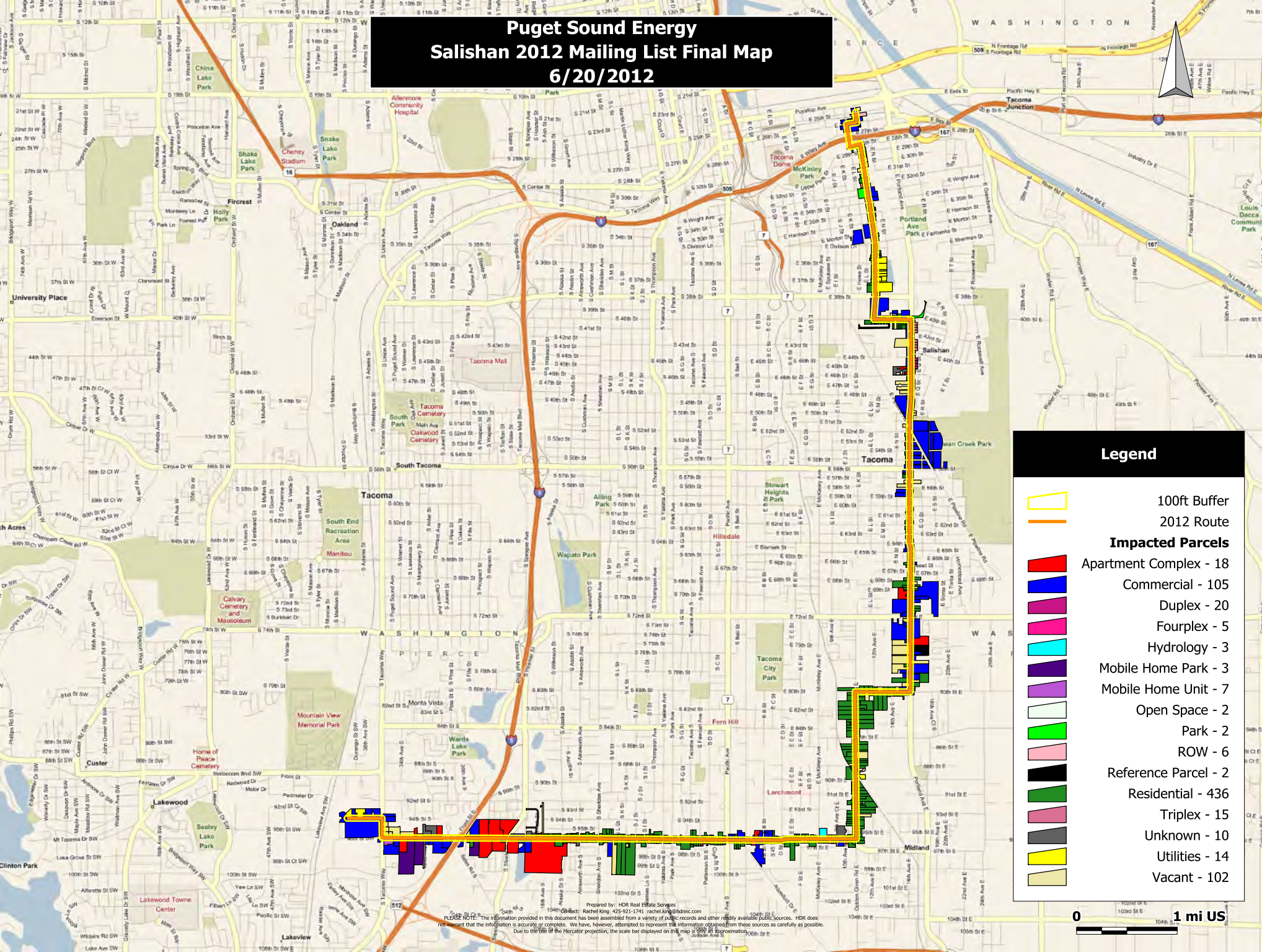
PUGET SOUND ENERGY

Salishan Uprate

Structures in Proximity of the Salishan and Pierce Transit Supplies

Count	Distance* (feet) of Structure From Gas Pipeline		Address	Land Use	Land Owner
491	99		2508 96TH ST S (SOUTHEAST BUILDING)	Commercial	LAUREL LANE MHC LLC
492	69		2508 96TH ST S (NORTHWEST BUILDING)	Commercial	LAUREL LANE MHC LLC
493	65		2508 96TH ST S (NORTHEAST BUILDING)	Commercial	LAUREL LANE MHC LLC
494	51		2520 96TH ST SW	Residential	HOKOLD OSCAR T
495	90		2724 S 96TH ST	Commercial	SOUTH SOUND HOLDINGS LLC
496	94		3030 96TH ST S	Industrial	QUAD ASSOCIATES LLC
497	56		3122 96TH ST S	Commercial	SIMON ROLF
498	95		3265 96TH ST S	Commercial	YANG BONG SUK & MAL SOON
499	74		3314 96TH ST S (SOUTH EAST BUILDING)	Commercial	MOBILE MANOR MHP LLC
500	10		3314 96TH ST S (NORTH EAST BUILDING)	Commercial	MOBILE MANOR MHP LLC
501	44		3314 96TH ST S (WEST BUILDING)	Commercial	MOBILE MANOR MHP LLC
502	81		3520 96TH ST S	Commercial	HOSPITALITY GROUP III LLC
503	18		9324 S TACOMA WY (EAST BUILDING)	Commercial	STASIAK LENOA S
504	18		9324 S TACOMA WY (WEST BUILDING)	Commercial	STASIAK LENOA S
505	28		3619 S 94TH ST	Commercial	STASIAK LENOA S

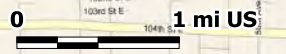
Puget Sound Energy Salishan 2012 Mailing List Final Map 6/20/2012



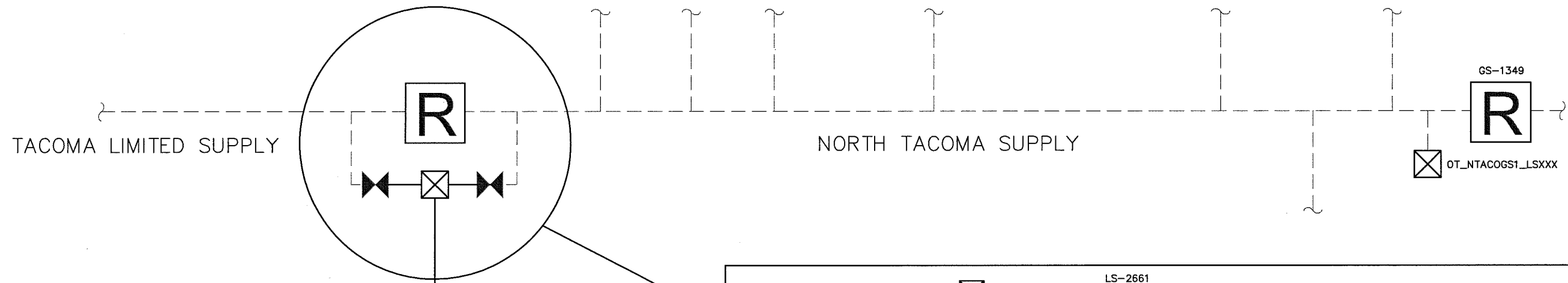
Legend

- 100ft Buffer
- 2012 Route
- Impacted Parcels**
- Apartment Complex - 18
- Commercial - 105
- Duplex - 20
- Fourplex - 5
- Hydrology - 3
- Mobile Home Park - 3
- Mobile Home Unit - 7
- Open Space - 2
- Park - 2
- ROW - 6
- Reference Parcel - 2
- Residential - 436
- Triplex - 15
- Unknown - 10
- Utilities - 14
- Vacant - 102

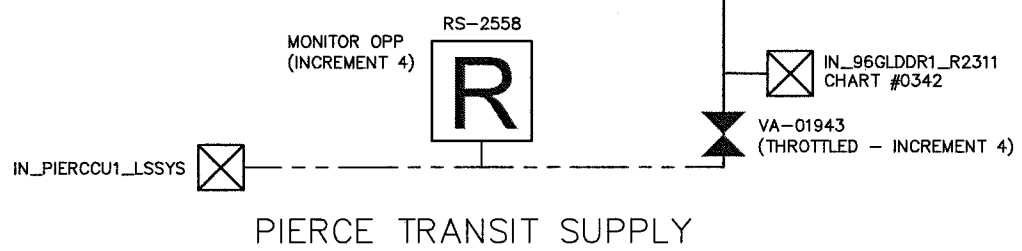
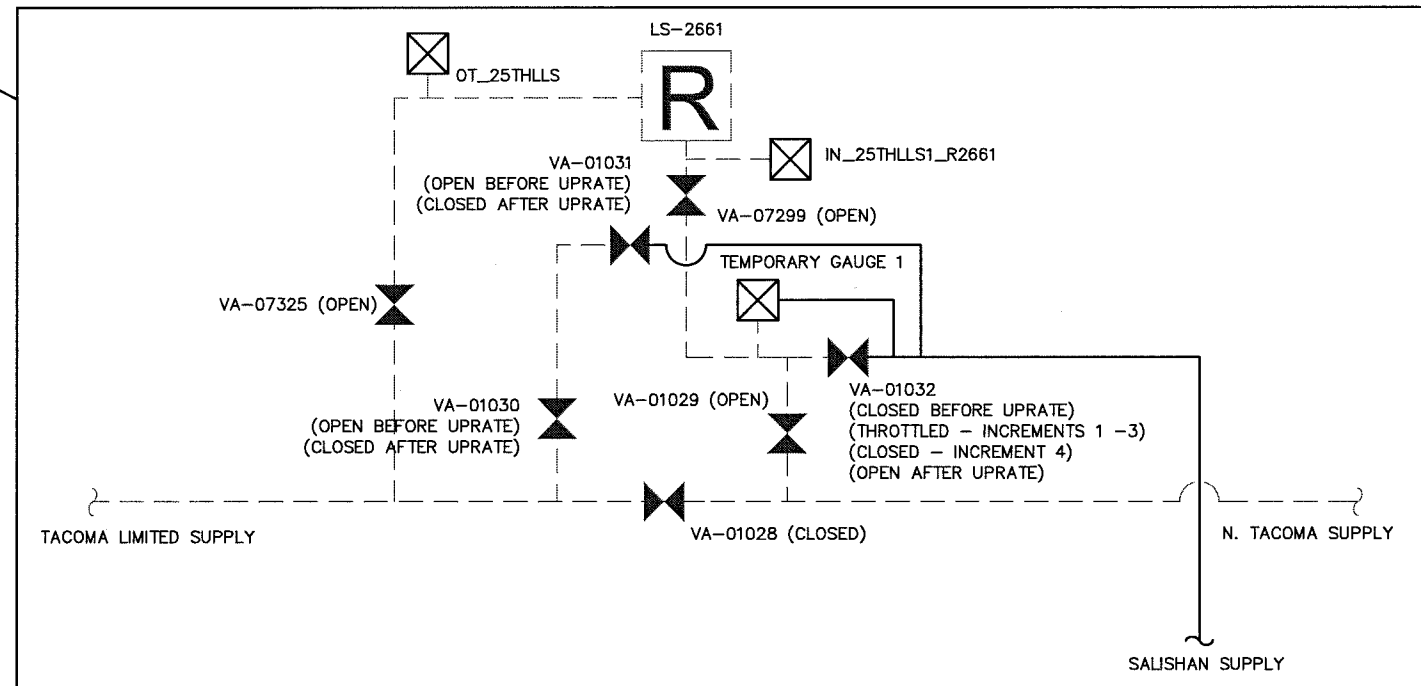
Prepared by: HDR Real Estate Services
 104th Street, Burien, WA 98148, Phone: 206-835-1241, Email: info@hdro.com
 PLEASE NOTE: The information provided in this document has been assembled from a variety of public records and other readily available public sources. HDR does not warrant that the information is accurate or complete. We have, however, attempted to represent the information obtained from these sources as carefully as possible. Due to the use of the Mercator projection, the scale bar displayed on this map may not be 100% accurate.



ATTACHMENT A – SYSTEM OVERVIEW / UPRATE SCHEMATIC



SALISHAN SUPPLY



	VALVE		SYSTEM TO BE UPRATED
	CNG INJECTION POINT		SYSTEM TO BE PRESSURE INCREASED
	PRESSURE MONITORING POINT		NEIGHBORING SYSTEM